

STIHL

STIHL GTA 26

**Instruction Manual
Manual de instrucciones
Skötselavvisning
Käyttöohje**

**Betjeningsvejledning
Bruksanvisning
Návod k použití
Használati utasítás
Instruções de serviço
Инструкция по эксплуатации
Instrukcja użytkowania
Ръководство за употреба
Instrucțiuni de utilizare**



- Ⓜ **Instruction Manual**
1 - 34
- Ⓔ **Manual de instrucciones**
35 - 71
- Ⓢ **Skötselanvisning**
72 - 104
- Ⓕ **Käyttöohje**
105 - 141
- Ⓓ **Betjeningsvejledning**
142 - 176
- Ⓝ **Bruksanvisning**
177 - 210
- Ⓒ **Návod k použití**
211 - 247
- Ⓗ **Használati utasítás**
248 - 285
- Ⓟ **Instruções de serviço**
286 - 322
- Ⓡ **Инструкция по эксплуатации**
323 - 363
- Ⓟ **Instrukcja użytkowania**
364 - 399
- Ⓟ **Ръководство за употреба**
400 - 442
- Ⓡ **Instrucțiuni de utilizare**
443 - 480

Contents

1	Introduction	2	8	Removing and Fitting the Battery	19
2	Guide to Using this Manual	2	8.1	Fitting the Battery	19
2.1	Applicable Documentation	2	8.2	Removing the Battery	19
2.2	Warning Notices in Text	3	9	Switching On and Off	19
2.3	Symbols in Text	3	9.1	Switching On the Garden Pruner	19
3	Overview	3	9.2	Switching Off the Garden Pruner	20
3.1	Garden Pruner, Battery and Charger	3	10	Checking the Garden Pruner and Battery	20
3.2	Symbols	4	10.1	Checking the Chain Sprocket	20
4	Safety Precautions	5	10.2	Checking the Guide Bar	20
4.1	Warning Symbols	5	10.3	Checking the Saw Chain	20
4.2	Intended Use	5	10.4	Checking the Chain Guard	21
4.3	The Operator	6	10.5	Checking the Controls	21
4.4	Clothing and equipment	6	10.6	Testing the Battery	21
4.5	Work Area and Surroundings	7	11	Using the Garden Pruner	22
4.6	Safe Condition	8	11.1	Holding and Controlling the Garden Pruner	22
4.7	Operation	10	11.2	Cutting	22
4.8	Reactive Forces	11	12	After Finishing Work	22
4.9	Charging	12	12.1	After Finishing Work	22
4.10	Connecting to Power Supply	12	13	Transporting	22
4.11	Transporting	13	13.1	Transporting the Garden Pruner	22
4.12	Storing	14	13.2	Transporting the Battery	23
4.13	Cleaning, Maintenance and Repairs	14	13.3	Transporting the Charger	23
5	Preparing Garden Pruner for Operation	15	14	Storing	23
5.1	Preparing Garden Pruner for Operation	15	14.1	Storing the Garden Pruner	23
6	Charging the Battery, LEDs	15	14.2	Storing the Battery	23
6.1	Mounting the Charger on a Wall	15	14.3	Storing the Charger	23
6.2	Charging the Battery	16	15	Cleaning	24
6.3	Displaying State of Charge	16	15.1	Cleaning the Garden Pruner	24
6.4	LEDs on Garden Pruner	17	15.2	Cleaning the Bar and Chain	24
6.5	LED on Charger	17	15.3	Cleaning the Battery	24
7	Assembling the Garden Pruner	17	15.4	Cleaning the Charger	24
7.1	Removing and Fitting the Bar and Chain	17	16	Maintenance	24
7.2	Tensioning the Saw Chain	18	16.1	Sharpening the Saw Chain	24
7.3	Lubricating the Saw Chain	18			

STIHL

This instruction manual is protected by copyright. All rights reserved, especially the rights to reproduce, translate and process with electronic systems.

17 Repairing	25
17.1 Repairing the Garden Pruner, Battery and Charger	25
18 Troubleshooting	26
18.1 Troubleshooting Garden Pruner or Battery	26
18.2 Troubleshooting Charger	27
19 Specifications	28
19.1 STIHL GTA 26 Garden Pruner	28
19.2 Chain Sprockets	28
19.3 Minimum groove depth of guide bars	28
19.4 STIHL AS Battery	28
19.5 STIHL AL 1 Charger	28
19.6 Extension Cords	28
19.7 Sound Values and Vibration Values	28
19.8 REACH	29
20 Bar and Chain Combinations	30
20.1 STIHL GTA 26 Garden Pruner	30
21 Spare Parts and Accessories	31
21.1 Spare Parts and Accessories	31
22 Disposal	31
22.1 Disposing of Garden Pruner, Battery and Charger	31
23 EC Declaration of Conformity	31
23.1 STIHL GTA 26 Garden Pruner	31
23.2 STIHL AL 1 Charger Conformity Notice	31
24 General Power Tool Safety Warnings	32
24.1 Introduction	32
24.2 Work area safety	32
24.3 Electrical safety	32
24.4 Personal safety	32
24.5 Power tool use and care	33
24.6 Battery tool use and care	33
24.7 Service	34

1 Introduction

Dear Customer,

Thank you for choosing STIHL. We develop and manufacture our quality products to meet our customers' requirements. The products are designed for reliability even under extreme conditions.

STIHL also stands for premium service quality. Our specialist dealers guarantee competent advice and instruction as well as comprehensive service support.

We thank you for your confidence in us and hope you will enjoy working with your STIHL product.



Dr. Nikolas Stihl

IMPORTANT: READ BEFORE USE AND KEEP IN A SAFE PLACE.

2 Guide to Using this Manual

2.1 Applicable Documentation

Local safety regulations apply.

- ▶ Read, understand and save the following documents in addition to this instruction manual:
 - Information on STIHL Multioil Bio: www.stihl.com/safety-data-sheets
 - Safety information for STIHL batteries and products with built-in batteries: www.stihl.com/safety-data-sheets

2.2 Warning Notices in Text

DANGER

This notice refers to risks which result in serious or fatal injury.

- ▶ Serious or fatal injuries can be avoided by taking the precautions mentioned.

WARNING

This notice refers to risks which **can** result in serious or fatal injury.

- ▶ Serious or fatal injuries can be avoided by taking the precautions mentioned.

NOTICE

This notice refers to risks which can result in damage to property.

- ▶ Damage to property can be avoided by taking the precautions mentioned.

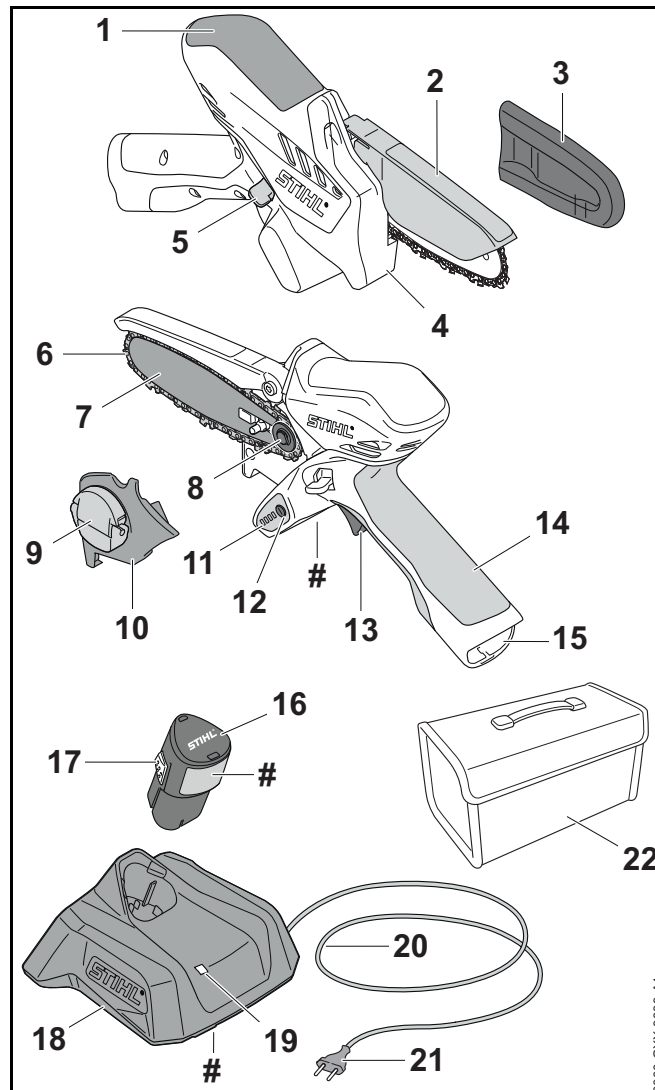
2.3 Symbols in Text



This symbol refers to a chapter in this instruction manual.

3 Overview

3.1 Garden Pruner, Battery and Charger



- 1 Grip Surface**
For holding and controlling the garden pruner.
- 2 Guard**
Helps protect user from contact with saw chain.
- 3 Chain Scabbard**
Helps protect user from contact with saw chain.
- 4 Limit Stop**
Supports garden pruner against wood while cutting.
- 5 Lockout Lever**
Unlocks the trigger.
- 6 Saw Chain**
Cuts the wood.
- 7 Guide Bar**
Supports and guides the saw chain.
- 8 Chain Sprocket**
Toothed wheel that drives the chain.
- 9 Wingnut**
Secures chain sprocket cover to garden pruner.
- 10 Chain Sprocket Cover**
Covers the chain sprocket and secures the guide bar to the garden pruner.
- 11 LEDs**
Indicate battery's state of charge and malfunctions.
- 12 Button**
Activates the LEDs on the garden pruner.
- 13 Trigger**
Switches the garden pruner on and off.
- 14 Control Handle**
For operating, holding and controlling the garden pruner.
- 15 Battery Compartment**
Accommodates the battery.
- 16 Battery**
Supplies power to the garden pruner.

- 17 Locking Hook**
Holds the battery in the battery compartment.
- 18 Charger**
Charges the battery.
- 19 LED**
The LED indicates the operating status of the charger.
- 20 Connecting Cable**
Connects charger to appliance plug.
- 21 Appliance Plug**
Connects cable to wall outlet.
- 22 Bag**
For transporting and storing the garden pruner, battery and charger. The bag only comes with the set (consisting of garden pruner, battery and charger).

Rating Label with Serial Number

3.2 Symbols

Meanings of symbols that may be on the garden pruner, battery and charger:



This symbol shows the direction of rotation of the chain.



The LED glows or flashes green. Battery is being charged.




LED flashes red. No electrical contact between battery and charger or malfunction in battery or charger.





Length of guide bar that may be used.




Guaranteed sound power level according to directive 2000/14/EC in dB(A) in order to make sound emissions of products comparable.

 The data next to this symbol indicates the energy content of the battery according to the cell manufacturer's specification. The energy content available during operation is lower.

 Operate the electric product in a dry place, indoors only.


 Do not dispose of the product with your household waste.


 Read, understand and save the instruction manual.


4 Safety Precautions


4.1 Warning Symbols

Meanings of warning signs on the garden pruner, battery or charger:

 Observe safety notices and take the necessary precautions.

 Read, understand and keep the instruction manual.

 Wear safety glasses.

 Hold the garden pruner firmly with both hands.



Do not touch the moving saw chain.



Remove the battery during work stoppages, transport, storage, maintenance or repair.



Protect garden pruner and charger from rain and dampness.



Protect battery from heat and fire.



Protect the battery from rain and moisture and do not immerse it in liquids.

4.2 Intended Use

The STIHL GTA 26 garden pruner is designed to cut wood.

The garden pruner must not be used in the rain.

The STIHL AS battery supplies power to the garden pruner.

The STIHL AL 1 charger recharges the STIHL AS battery.

WARNING

- Batteries and chargers not approved for the garden pruner by STIHL may cause a fire or explosion. This can result in serious or fatal injuries and damage to property.
 - ▶ Use the garden pruner with a STIHL AS battery.
 - ▶ Recharge the STIHL AS battery with a STIHL AL 1 charger.

- Using the garden pruner, battery or the charger for purposes for which they were not designed may result in serious or fatal injuries, and damage to property may occur.
 - ▶ Use the garden pruner, battery and charger as described in this instruction manual.

4.3 The Operator

⚠ WARNING

- Users without adequate training or instruction cannot recognize or assess the risks involved in using the garden pruner, battery and charger. The user or other persons may sustain serious or fatal injuries.



- ▶ Read, understand and save the instruction manual.

- ▶ If you lend the garden pruner, battery or charger to another person: Always give them the instruction manual.
- ▶ Make sure the user meets the following requirements:
 - The user must be rested.
 - **The user must be in good physical condition and mental health to operate and work with the garden pruner, battery and charger. If the user's physical, sensory or mental ability is restricted, he**

or she may work only under the supervision of or as instructed by a responsible person.

- The user is able to recognize and assess the risks involved in using the garden pruner, battery and charger.
 - The user must be of legal age or is being trained in a trade under supervision in accordance with national rules and regulations.
 - The user has received instruction from a STIHL servicing dealer or other experienced user before working with the garden pruner for the first time.
 - The user must not be under the influence of alcohol, medication or drugs.
- ▶ If you have any queries: Contact a STIHL servicing dealer for assistance.

4.4 Clothing and equipment

⚠ WARNING

- Long hair can be pulled into the garden pruner during operation. This may result in serious injury to the user.
 - ▶ Tie up and confine long hair above your shoulders.
- Objects can be thrown at high speed during operation. This may result in injury to the user.



- ▶ Wear close-fitting safety glasses. Suitable safety glasses are tested in accordance with EN 166 or national regulations and available commercially with the corresponding marking.
- ▶ Wear long trousers.

- Falling objects can cause head injuries.
 - ▶ If objects are likely to fall while working: wear a hard hat.
- Dust can be whipped up during operation: Whipped up dust can damage the respiratory passages and cause allergic reactions.
 - ▶ If dust is generated: Wear a dust respirator mask.
- Inappropriate clothing can snag on wood, brush or the garden pruner. Not wearing suitable clothing may result in serious injury.
 - ▶ Wear close-fitting clothing.
 - ▶ Remove scarves and jewelry.
- The user may cut himself or herself on wood while working. The user may come into contact with the saw chain during cleaning or servicing. This may result in injury to the user.
 - ▶ Wear work gloves made from resistant material.
- Wearing unsuitable footwear may cause the user to slip. This may result in injury to the user.
 - ▶ Wear sturdy, closed-toed footwear with high-grip soles.

4.5 Work Area and Surroundings

4.5.1 Garden pruner

WARNING

- Innocent bystanders, children and animals are not aware of the dangers of the garden pruner or flying debris. Bystanders, children and animals may be seriously injured and damage to property may occur.
 - ▶ Keep bystanders, children and animals away from the work area.
 - ▶ Do not leave the garden pruner unattended.
 - ▶ Make sure that children cannot play with the garden pruner.
- The garden pruner is not waterproof. Working in the rain or a damp location may result in an electric shock. This can result in injuries to the user and may damage the garden pruner.



- ▶ Do not work in the rain or a damp location.

- Electrical components of the garden pruner can produce sparks. Sparks may cause a fire or an explosion in an easily combustible or explosive environment. This can result in serious or fatal injuries and damage to property.
 - ▶ Do not work in an easily combustible or explosive environment.

4.5.2 Battery

WARNING

- Bystanders, children and animals cannot recognize or assess the dangers of the battery. Bystanders, children and animals may be seriously injured.
 - ▶ Keep bystanders, children and animals away from the work area.
 - ▶ Do not leave the battery unattended.
 - ▶ Make sure that children cannot play with the battery.
- The battery is not protected against all ambient conditions. If the battery is exposed to certain ambient conditions, it may catch fire or explode. This can result in serious injuries and damage to property.



- ▶ Protect battery from heat and fire.
- ▶ Do not throw the battery into a fire.

- ▶ Use and store the battery at temperatures between - 20°C and + 50°C.



- ▶ Protect the battery from rain and damp – do not immerse it in fluids.

- ▶ Keep battery away from metallic objects.
- ▶ Do not expose battery to high pressure.

- ▶ Do not expose battery to microwaves.
- ▶ Protect battery from chemicals and salts.

4.5.3 Charger

⚠ WARNING

- Innocent bystanders and children are not aware of and cannot assess the dangers of a charger or electric current. Innocent bystanders, children and animals may be seriously or fatally injured.
 - ▶ Keep bystanders, children and animals away from the work area.
 - ▶ **Make sure that children cannot play with the charger.**
- The charger is not waterproof. Working in the rain or a damp location may result in an electric shock. This can result in injuries to the user and may damage the charger.



- ▶ Do not operate it in the rain or a damp location.

- The charger is not protected against all ambient conditions. If the charger is exposed to certain ambient conditions, it may catch fire or explode. This can result in serious injuries and damage to property.
 - ▶ Operate the charger in a dry place, indoors only.
 - ▶ Do not operate the charger in an easily combustible or explosive environment.
 - ▶ Do not operate the charger on an easily combustible surface.
 - ▶ Use and store the charger at a temperature between - 20°C and + 50°C.
- Persons may trip over the connecting cable. This can result in injuries and may damage the charger.
 - ▶ Lay the connecting cable flat on the floor.

4.6 Safe Condition

4.6.1 Garden Pruner

The garden pruner is in a safe condition if the following points are observed:

- Garden pruner is not damaged.
- Garden pruner is clean and dry.
- Chain guard is mounted.
- The chain guard is undamaged and has not been modified.
- The controls function properly and have not been modified.
- The saw chain is lubricated.
- Wear marks on chain sprocket are not deeper than 0.5 mm.
- A combination of guide bar and saw chain recommended in this instruction manual is mounted.
- The guide bar and chain are properly mounted.
- The chain is properly tensioned.
- Only original STIHL accessories designed for this garden pruner model are mounted.
- Accessories are properly mounted.


⚠ WARNING

- If components do not comply with safety requirements, they will no longer function properly and safety devices may be rendered inoperative. This can result in serious or fatal injuries.
 - ▶ Work only with an undamaged garden pruner.
 - ▶ If the garden pruner is dirty or wet: Clean the garden pruner and allow it to dry.
 - ▶ Never modify the garden pruner. Exception: Mounting a combination of guide bar and saw chain recommended in this instruction manual.
 - ▶ Never use the garden pruner without the chain guard.

- ▶ If the chain guard is damaged or has been modified: Do not work with the garden pruner.
- ▶ If the controls do not function properly: Do not work with the garden pruner.
- ▶ Only fit original STIHL accessories designed for this garden pruner model.
- ▶ Mount the guide bar and chain as described in this instruction manual.
- ▶ Mount accessories as described in this instruction manual or the instructions supplied with the accessory.
- ▶ Never insert objects in the garden pruner's openings.
- ▶ Replace worn or damaged labels.
- ▶ If you have any queries: Contact a STIHL servicing dealer for assistance.

4.6.2 Guide bar

The guide bar is in a safe condition if the following points are observed:

- Guide bar is not damaged.
- Guide bar is not deformed.
- At least the minimum groove depth is maintained,  19.3.
- Bar groove is not pinched or splayed.

WARNING

- If the guide bar is not in a safe condition, it can no longer support and guide the saw chain properly. The rotating saw chain can jump off the guide bar. This can result in serious or fatal injuries.
 - ▶ Work only with an undamaged guide bar.
 - ▶ If the groove depth is less than the minimum depth: Replace the guide bar.
 - ▶ If you have any queries: Contact a STIHL servicing dealer for assistance.

4.6.3 Saw Chain

The saw chain is in a safe condition if the following points are observed:

- Chain is not damaged.
- Chain is properly sharpened.
- The service marks on the cutters are still visible.

WARNING

- If components do not comply with safety requirements, they will no longer function properly and safety devices may be rendered inoperative. This can result in serious or fatal injuries.
 - ▶ Work only with an undamaged saw chain.
 - ▶ Sharpen the chain properly.
 - ▶ If you have any queries: Contact your STIHL servicing dealer for assistance.

4.6.4 Battery

The battery is in safe condition when the following conditions are met:

- The battery is not damaged.
- The battery is clean and dry.
- The battery is working and has not been modified.

WARNING

- The battery cannot function safely if it is not in safe condition. There is a risk of serious injury to persons.
 - ▶ Use an undamaged and functioning battery.
 - ▶ Do not charge a damaged or defective battery.
 - ▶ If the battery is dirty or wet: clean the battery and allow it to dry.
 - ▶ Do not modify the battery.
 - ▶ Do not insert objects into the apertures in the battery.

- ▶ Never connect the battery terminals to metallic objects and cause a short circuit.
- ▶ Do not open the battery.
- ▶ Replace worn or damaged warning signs.
- Fluid may leak from a damaged battery. If the fluid contacts the skin or eyes, this may cause irritation.
 - ▶ Avoid contact with the fluid.
 - ▶ In the event of contact with the skin: wash the affected areas with plenty of soap and water.
 - ▶ In the event of contact with the eyes: rinse the eyes with plenty of water for at least 15 minutes and seek medical attention.
- A damaged or defective battery may emit an unusual odour, smoke or catch fire. This may result in serious or fatal injury to people and damage to property.
 - ▶ If the battery emits an unusual odour or smoke: do not use the battery and keep it away from flammable materials.
 - ▶ If the battery catches fire: try to extinguish the battery using a fire extinguisher or water.

4.6.5 Charger

The charger is in a safe condition if the following points are observed:

- Charger is undamaged.
- Charger is clean and dry.

WARNING

- If components do not comply with safety requirements, they will no longer function properly and safety devices may be rendered inoperative. This can result in serious or fatal injuries.
 - ▶ Do not use a damaged charger.
 - ▶ If the charger is dirty or wet: Clean the charger and allow it to dry.
 - ▶ Never attempt to modify the charger.

- ▶ Never insert objects in the charger's openings.
- ▶ Never bridge the charger's contacts with metallic objects (short circuit).
- ▶ Do not open the charger.

4.7 Operation

WARNING

- Always work within calling distance of others in case help is needed.
 - ▶ Make sure than persons outside the work area are within calling distance.
- The user cannot concentrate on the work in certain situations. The user can lose control of the garden pruner, stumble or fall and be seriously injured.
 - ▶ Work calmly and carefully.
 - ▶ If light and visibility are poor: Do not work with the garden pruner.
 - ▶ Operate the garden pruner alone.
 - ▶ Do not work above shoulder height.
 - ▶ Watch out for obstacles.
 - ▶ Stand on the ground while working and keep a good balance. If it is necessary to work at heights: Use a lift bucket or a safe platform.
 - ▶ If you begin to feel tired: Take a break.
- The rotating saw chain can cut the operator. This can result in serious injuries.
 - ▶ Do not touch the rotating saw chain.
 - ▶ If the saw chain is blocked by an object: Switch off the garden pruner and remove the battery. Then remove the object causing the blockage.

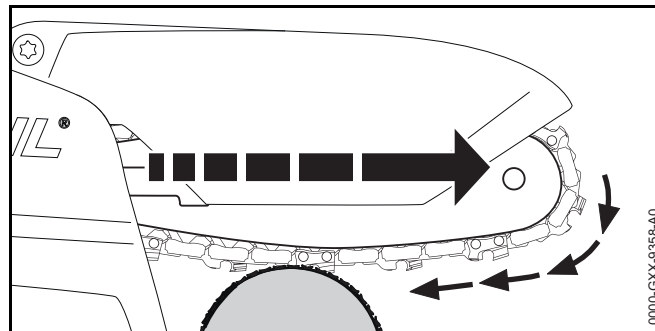
- The rotating chain becomes hot and expands. If the chain is not lubricated sufficiently or not re-tensioned at regular intervals, it may come off the guide bar or break. This can result in serious injuries and damage to property.
 - ▶ Use STIHL Multioil Bio or an equivalent biodegradable multifunctional oil.
 - ▶ Lubricate the saw chain after every break to recharge the battery.
 - ▶ Check chain tension regularly during cutting work. If chain tension is insufficient: Tension the chain.
- The guide bar, saw chain and chain sprocket can become hot during operation. There is a risk of burn injuries.
 - ▶ Do not touch the hot guide bar, saw chain or chain sprocket.
 - ▶ Wait for the guide bar, saw chain and chain sprocket to cool down.
 - ▶ Wear work gloves made of durable material.
- If the behavior of the garden pruner changes during operation or feels unusual, it may no longer be in a safe condition. This can result in serious injuries and damage to property.
 - ▶ Stop work, remove the battery and contact your STIHL servicing dealer for assistance.
- Vibrations may occur while using the garden pruner.
 - ▶ Wear gloves.
 - ▶ Take regular breaks.
 - ▶ If signs of circulation problems occur: Seek medical advice.
- Sparks may occur if the rotating chain makes contact with a hard object. Sparks may cause a fire in an easily combustible location. This can result in serious or fatal injuries and damage to property.
 - ▶ Do not work in an easily combustible location.
- Note that the saw chain continues to rotate for a short period after you release the trigger. The rotating saw chain can cut the user. This can result in serious injuries.
 - ▶ Wait for the chain to come to a standstill.

⚠ DANGER

- Working near live electric cables can result in accidental contact with the chain and damage the cables. This can result in serious or fatal injuries.
 - ▶ Do not work near live electric cables.

4.8 Reactive Forces

4.8.1 Reactive Forces



The garden pruner is pulled away from the operator when the bottom of the bar is used for cutting.

⚠ WARNING

- If the rotating chain makes contact with a hard object and is suddenly pinched, the garden pruner is abruptly jerked away from the operator. This can result in personal injuries.
 - ▶ Hold the garden pruner firmly with both hands.
 - ▶ Use the working techniques described in this instruction manual.
 - ▶ Work with the chain guard properly mounted.
 - ▶ Work with an undamaged chain guard that has not been modified.
 - ▶ Always cut with a properly sharpened and tensioned saw chain.
 - ▶ Keep the guide bar straight in the cut.
 - ▶ Apply the stop properly.

- ▶ Cut with the motor running at full speed.

4.9 Charging

⚠ WARNING

- A damaged or defective charger may produce an unusual smell or emit smoke during the charging process. This may result in personal injuries and damage to property.
 - ▶ Disconnect the plug from the wall outlet.
- The charger can overheat and cause a fire if heat dissipation is inadequate. This can result in serious or fatal injuries and damage to property.
 - ▶ Do not cover the charger.

4.10 Connecting to Power Supply

Contact with live components may occur for the following reasons:

- The connecting cable or extension cable is damaged.
- Connecting cable plug or extension cable is damaged.
- Wall outlet is not properly installed.

⚠ DANGER

- Contact with live components can result in an electric shock. This can result in serious or fatal injuries.
 - ▶ Check that the connecting cable, extension cable and their plugs are not damaged.



If the connecting cable or extension cable is damaged:

- ▶ Do not touch damaged areas.
- ▶ Disconnect the plug from the wall outlet.
- ▶ Never touch the connecting cable, extension cable or their plugs with wet hands.
- ▶ Insert the plug of the connecting cable or extension cable in a properly installed fused wall outlet with ground contact.

- ▶ Install the charger with a ground fault circuit interrupter (30 mA, 30 ms).

- A damaged or unsuitable extension cable can cause an electric shock. This can result in serious or fatal injuries.
 - ▶ Use an extension cable with the correct wire gauge, 19.6.

⚠ WARNING

- Overvoltage can occur in the charger if the line voltage or frequency are incorrect during charging. The charger may be damaged.
 - ▶ Make sure the line voltage and frequency agree with the data on the charger's rating plate.
- A carelessly laid connecting or extension cable can be damaged and cause others to trip or fall. This can result in injuries and may damage the connecting cable or extension cable.
 - ▶ Position and mark connecting cable and extension cable so they do not represent a trip hazard.
 - ▶ Position the connecting and extension cables so that they are not under tension or entangled.
 - ▶ Position the connecting and extension cables so that they cannot be damaged, kinked, pinched or chafed.
 - ▶ Protect the connecting cable and extension cable from heat, oil and chemicals.
 - ▶ Lay the connecting and extension cables on a dry surface.

- The extension cable becomes hot during operation. If the heat cannot dissipate, it may cause a fire.
 - ▶ If you use a cable drum: Unwind the extension cable to its full length.
- If electric cables or pipes are embedded in the wall, they may be damaged when the charger is mounted on a wall. Contact with electric cables can result in an electric shock. This can result in serious injuries and damage to property.
 - ▶ Check that there are no electric cables or pipes embedded in the wall.
- If the charger is not mounted on the wall as described in this instruction manual, the charger or the battery may fall down or the charger may overheat. This may result in personal injuries and damage to property.
 - ▶ Mount the charger on the wall as described in this instruction manual.
- If the charger is mounted on a wall with the battery inserted, the battery may fall out and be damaged. This may result in personal injuries and damage to property.
 - ▶ Mount the charger on the wall first and then insert the battery.

4.11 Transporting

4.11.1 Garden pruner

⚠ WARNING

- The garden pruner may turn over or shift during transport. This may result in personal injuries and damage to property.



- ▶ Remove the battery.

- ▶ Fit the scabbard so that it completely covers the guide bar.
- ▶ Transport the garden pruner in the bag supplied.

- ▶ If no bag is supplied with the garden pruner: Secure the special harvester with lashing straps or a net to prevent it turning over and moving.

4.11.2 Battery

⚠ WARNING

- The battery is not protected against all ambient conditions. The battery may be damaged if it is exposed to certain ambient conditions and damage to property may occur.
 - ▶ Never transport a damaged battery.
 - ▶ Transport the battery in the bag supplied.
 - ▶ If no bag is supplied with the garden pruner: Transport the battery in non-conductive packaging.
- The battery may turn over or shift during transport. This may result in personal injuries and damage to property.
 - ▶ Pack the battery in packaging in such a way that it cannot move.
 - ▶ Secure the packaging so that it cannot move.

4.11.3 Charger

⚠ WARNING

- The charger can turn over or move while being transported. This may result in personal injuries and damage to property.
 - ▶ Disconnect the plug from the wall outlet.
 - ▶ Remove the battery.
 - ▶ Transport the charger in the bag supplied.
 - ▶ If no bag is supplied with the charger: Secure the charger with lashing straps, belts or a net to prevent it turning over and moving.
- The connecting cable must not be used for carrying the charger. The connecting cable and the charger may be damaged.
 - ▶ Wind up the connecting cable and attach it to the charger.

4.12 Storing

4.12.1 Garden pruner

⚠ WARNING

- Children are not aware of and cannot assess the dangers of the garden pruner and can be seriously injured.



- ▶ Remove the battery.

- ▶ Fit the scabbard so that it completely covers the guide bar.
- ▶ Store the garden pruner out of the reach of children.
- Dampness can corrode the electrical contacts on the garden pruner and other metal components. The garden pruner may be damaged.



- ▶ Remove the battery.

- ▶ Store the garden pruner in a clean and dry condition.

4.12.2 Battery

⚠ WARNING

- Children are not aware of and cannot assess the dangers of the battery and can be seriously injured.
 - ▶ Store the battery out of the reach of children.
- The battery is not protected against all ambient conditions. The battery may be damaged if it is exposed to certain ambient conditions.
 - ▶ Store the battery in a clean and dry condition.
 - ▶ Store the battery in an enclosed location.
 - ▶ Store the battery separately from the garden pruner and charger.
 - ▶ Store the battery in non-conductive packaging.

- ▶ Store the battery at temperatures between - 20°C and + 70°C.

4.12.3 Charger

⚠ WARNING

- Children are not aware of and cannot assess the dangers of a charger. Children may sustain serious or fatal injuries.
 - ▶ Remove the battery.
 - ▶ Store the charger out of the reach of children.
- The charger is not protected against all ambient conditions. The charger may be damaged if it is exposed to certain ambient conditions.
 - ▶ Remove the battery.
 - ▶ If the charger is hot: Allow charger to cool down.
 - ▶ Store the charger in a clean and dry condition.
 - ▶ Store the charger in an enclosed location.
 - ▶ Store the charger at a temperature between - 20°C and + 70°C.
- The connecting cable must not be used for carrying or hanging up the charger. The connecting cable and the charger may be damaged.
 - ▶ Hold the charger by the housing. A recessed handle is provided on the back of the charger.
 - ▶ Hang the charger on the wall bracket.

4.13 Cleaning, Maintenance and Repairs

⚠ WARNING

- The garden pruner may start unintentionally if the battery is left in place during cleaning, maintenance or repair operations. This can result in serious injuries and damage to property.















- ▶ Remove the battery.

- Aggressive cleaning agents, a water jet or pointed objects can damage the garden pruner, guide bar, saw chain, battery and charger. If the garden pruner, guide bar, saw chain, battery or charger are not cleaned correctly, components may no longer function properly or safety devices may be rendered inoperative. This can result in serious injuries.
 - ▶ Clean the garden pruner, guide bar, saw chain, battery and charger as described in this instruction manual.
- If the garden pruner, guide bar, saw chain, battery or charger are not properly serviced, components may no longer function properly or safety devices may be rendered inoperative. This can result in serious or fatal injuries.
 - ▶ Do not attempt to service or repair the garden pruner, battery or charger.
 - ▶ If the garden pruner, battery or the charger require servicing or repairs: Contact a STIHL servicing dealer for assistance.
 - ▶ Service or repair the guide bar and chain as described in this instruction manual.
- The user can be cut by the sharp cutters while cleaning or servicing the saw chain. This can result in personal injury.
 - ▶ Wear work gloves made of durable material.

5 Preparing Garden Pruner for Operation

5.1 Preparing Garden Pruner for Operation

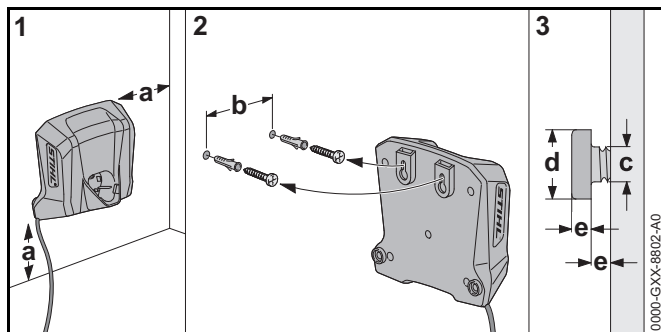
Perform the following steps before starting work:

- ▶ Make sure the following components are in a safe condition:
 - Garden pruner,  4.6.1.
 - Guide bar,  4.6.2.
 - Saw chain,  4.6.3.
 - Battery,  4.6.4.
 - Charger,  4.6.5.
- ▶ Check the battery,  10.6.
- ▶ Fully charge the battery,  6.2.
- ▶ Clean the garden pruner,  15.1.
- ▶ Mount the bar and chain,  7.1.1.
- ▶ Tension the saw chain,  7.2.
- ▶ Lubricate the saw chain,  7.3.
- ▶ Check the controls,  10.5.
 - ▶ If 3 LEDs flash red while you are checking the controls: Remove the battery and contact your STIHL dealer for assistance. There is a malfunction in the garden pruner.
- ▶ If you cannot carry out these steps: Do not use the garden pruner and contact your STIHL dealer for assistance.

6 Charging the Battery, LEDs

6.1 Mounting the Charger on a Wall

The charger can be mounted on a wall.



► Check the following points when mounting the charger on a wall:

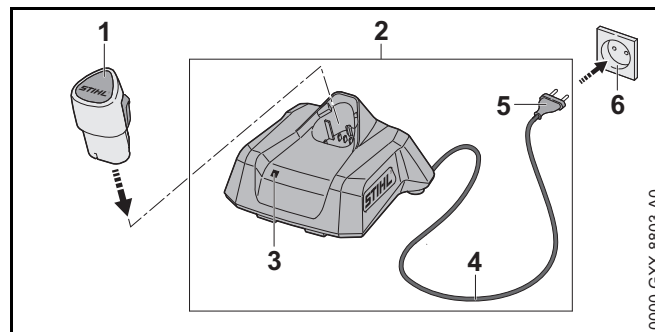
- Suitable fixing materials.
- The charger is level.
- The following dimensions are observed:
 - a = at least 100 mm
 - b = 54 mm
 - c = 4.5 mm
 - d = 9 mm
 - e = 2.5 mm

6.2 Charging the Battery

The charging time depends on several factors, e.g. temperature of the battery or the ambient temperature. The actual charging time may differ from the specified charging time. For specified charging times see www.stihl.com/charging-times.

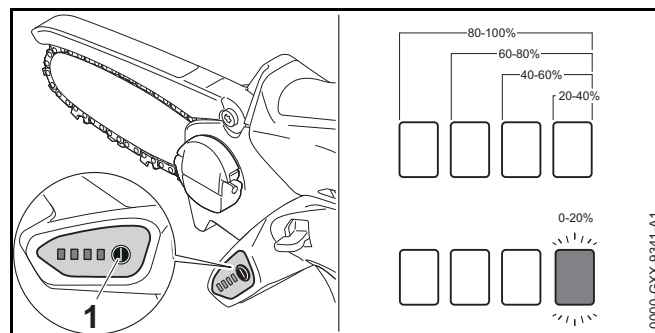
The charging process starts automatically when the plug is inserted in a wall outlet and the battery is fitted in the charger. The charger switches itself off automatically when the battery is fully charged.

The battery and charger become hot during the charging process.



- Insert the plug (5) in a convenient wall outlet (6). The charger (2) runs a self test. The LED (3) glows green for about 1 second and then red for about 1 second.
- Fit the connecting cable (4).
- Insert the battery (1) in the guides in the charger (2) and press it home as far as stop. The LED (3) glows or flashes green. The battery (2) is being charged.
- If the LEDs (3) stop glowing: The battery is fully charged and can be taken out of the charger (2).
- If the charger (2) is no longer required. Disconnect the plug (5) from the wall outlet (6).

6.3 Displaying State of Charge




- Insert battery.

- ▶ Press the button (1).
The LEDs emit green light for about 5 seconds and indicate the state of charge.
- ▶ If the LED on the right flashes green: Charge the battery.

6.4 LEDs on Garden Pruner

The LEDs can show the state of charge or malfunctions. The LEDs can glow or flash green or red.


The state of charge is indicated when the LEDs glow or flash green.

- ▶ If the LEDs glow or flash red: Troubleshooting,  18.
There is a malfunction in the garden pruner or battery.

6.5 LED on Charger

The LED indicates the operating status of the charger or faults. The LED can glow or flash green or red.

If the LED glows or flashes green, the battery is being charged.

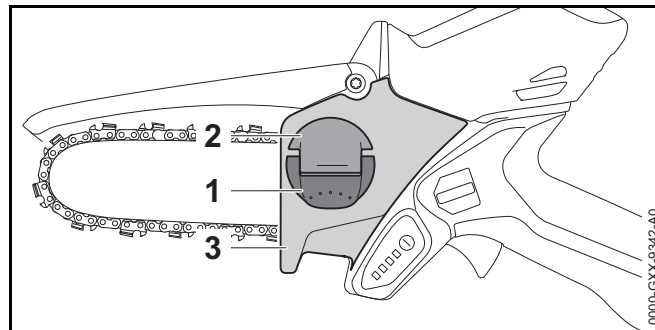
- ▶ If the LED glows or flashes red: Troubleshooting,  18.
There is a malfunction in charger or battery.

7 Assembling the Garden Pruner

7.1 Removing and Fitting the Bar and Chain


7.1.1 Removing the bar and chain

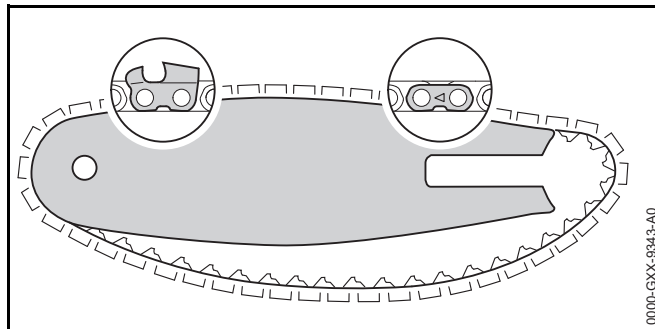
- ▶ Switch off the garden pruner and remove the battery.



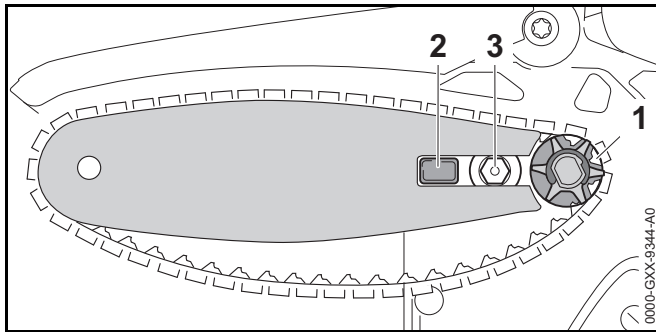
- ▶ Raise the grip (1) of the wingnut (2).
- ▶ Rotate the wingnut (2) counterclockwise until the chain sprocket cover (3) can be removed.
- ▶ Remove the chain sprocket cover (3).
- ▶ Remove the bar and chain.

7.1.2 Mounting the bar and chain

The bar and chain combinations that can be used with the chain sprocket are listed in the specifications,  20.1.



- ▶ Fit the chain in the bar groove so that the arrows on the tie straps on the top of the bar point in the direction of rotation.



- ▶ Fit the guide bar and chain on the garden pruner and check the following points:
 - Chain drive links are seated in teeth of chain sprocket (1).
 - Peg (2) is located in guide bar's slot.
 - Collar stud (3) is located in guide bar's slot.

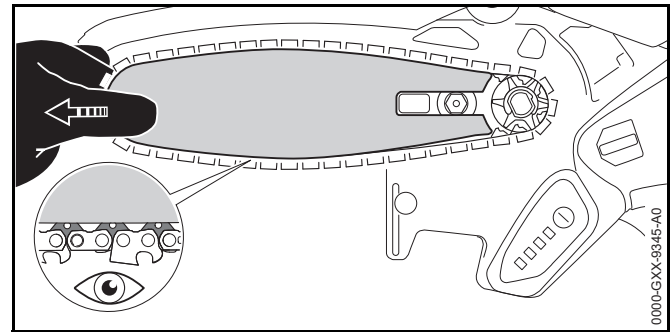
The guide bar may be either way round. The logo on the guide bar may also be upside down.

- ▶ Tension the chain.
- ▶ Fit the sprocket cover so that it is flush with the garden pruner.
- ▶ Rotate the wingnut clockwise until the chain sprocket cover is firmly seated.
- ▶ Fold down the grip of the wingnut.

7.2 Tensioning the Saw Chain

The saw chain expands or contracts during cutting work. Chain tension changes as a result. Check chain tension regularly during operation and readjust if necessary.

- ▶ Switch off the garden pruner and remove the battery.



- ▶ Raise the grip of the wingnut.
- ▶ Rotate the wingnut two turns counterclockwise. The wingnut is loose.

WARNING

The chain's cutters are very sharp. There is a risk of cut injuries.

- ▶ Wear work gloves made of durable material.

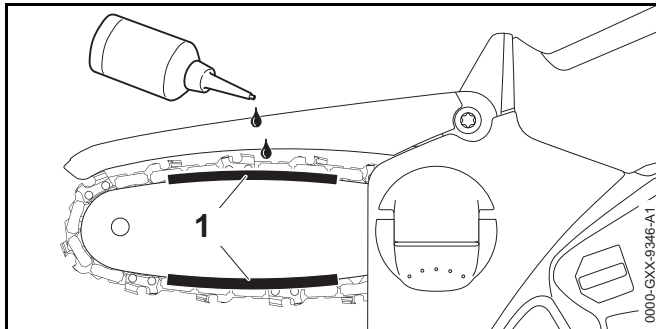
- ▶ Move guide bar to the left or right until the following points apply:
 - The drive links on the underside of the bar are still half visible.
- ▶ Rotate the wingnut clockwise until the chain sprocket cover is firmly seated.
- ▶ If the chain can still be pulled easily along the bar with two fingers: The chain is properly tensioned.
- ▶ If the drive links on the underside of the bar hang freely: Readjust chain tension.
- ▶ Fold down the grip of the wingnut.

7.3 Lubricating the Saw Chain

STIHL Multioil Bio or an equivalent biodegradable multifunctional oil lubricates and cools the rotating saw chain.

- ▶ Switch off the garden pruner and remove the battery.
- ▶ Place the garden pruner on a level surface with the sprocket cover facing up.

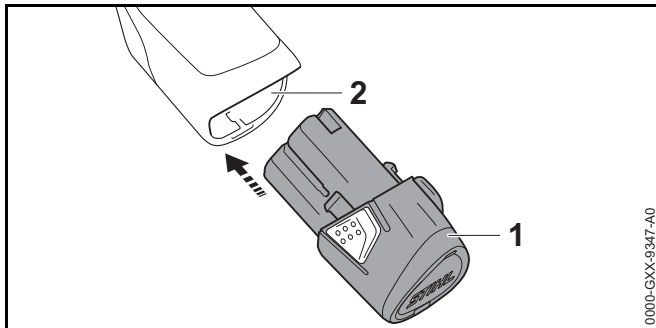
- ▶ Clean the guide bar and saw chain with a soft brush or STIHL resin solvent.



- ▶ Apply multifunctional oil in area (1) between guide bar and saw chain.
- ▶ Fit the battery.
- ▶ Switch on the garden pruner. Multifunctional oil is evenly distributed over the chain. The saw chain is lubricated.

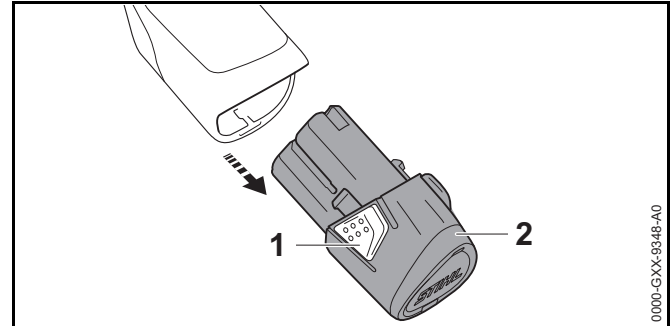
8 Removing and Fitting the Battery

8.1 Fitting the Battery



- ▶ Push the battery (1) into the battery compartment (2) as far as stop. The battery (1) engages in position with a click.

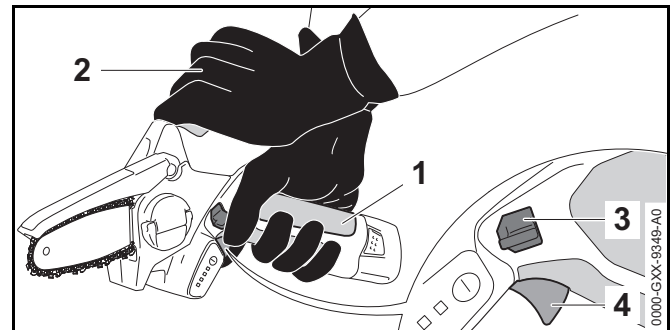
8.2 Removing the Battery



- ▶ Depress both locking hooks (1). The battery (2) is unlocked and can be removed.

9 Switching On and Off

9.1 Switching On the Garden Pruner



- ▶ Hold the garden pruner firmly with one hand on the grip area (1) of the control handle – wrap your thumb around the control handle.
- ▶ Hold and control the garden pruner with your other hand on the grip surface (2).
- ▶ Depress the lockout lever (3) with your thumb and hold it there.

- ▶ Pull the trigger (4) with your index finger and hold it there. The motor accelerates and the chain rotates. Release the lockout lever (3).

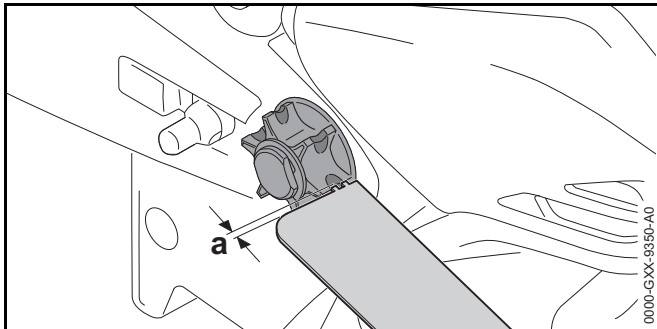
9.2 Switching Off the Garden Pruner

- ▶ Release the trigger. The chain stops rotating.
- ▶ If the chain continues to rotate: Remove the battery and contact your STIHL dealer for assistance. The garden pruner is defective.

10 Checking the Garden Pruner and Battery

10.1 Checking the Chain Sprocket

- ▶ Switch off the garden pruner and remove the battery.
- ▶ Remove the chain sprocket cover.
- ▶ Remove the bar and chain.

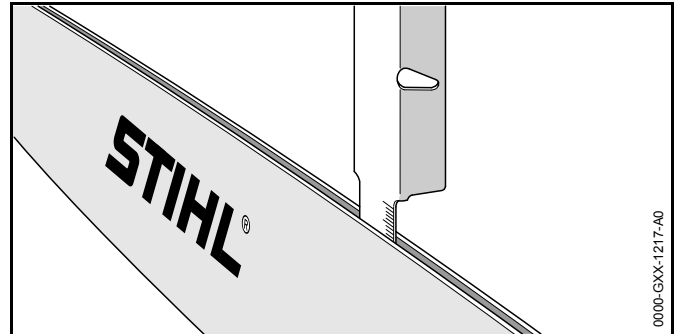


- ▶ Use a STIHL gauge to check the wear marks on the sprocket.
- ▶ If wear marks are deeper than $a = 0.5 \text{ mm}$: Do not use the garden pruner and contact your STIHL dealer for assistance. The chain sprocket must be replaced.

10.2 Checking the Guide Bar

- ▶ Switch off the garden pruner and remove the battery.

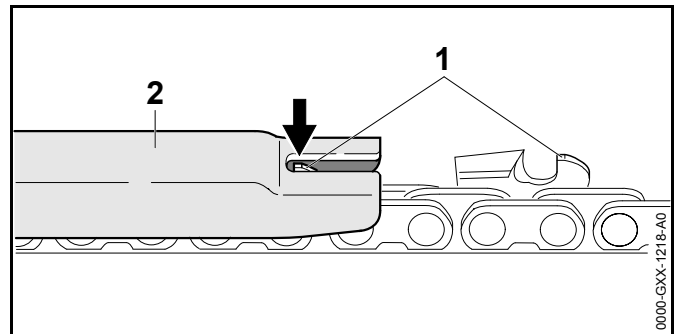
- ▶ Remove the chain and guide bar.




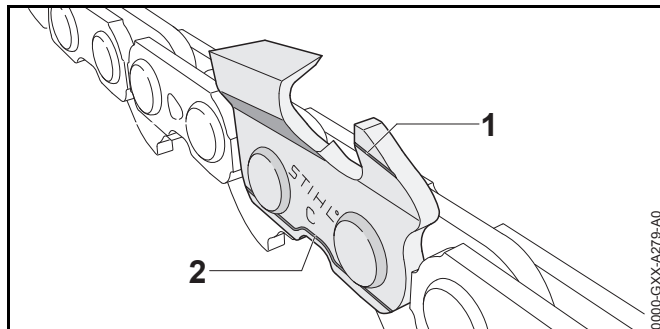
- ▶ Measure depth of bar groove with scale on STIHL filing gauge.
- ▶ Install a new guide bar if one of the following points applies:
 - Guide bar is damaged.
 - Measured bar groove depth is less than specified minimum depth, 19.3.
 - Bar groove is pinched or splayed.
- ▶ If you have any queries: Contact a STIHL servicing dealer for assistance.

10.3 Checking the Saw Chain

- ▶ Switch off the garden pruner and remove the battery.



- ▶ Use a STIHL filing gauge (2) to check the height of the depth gauges (1). The STIHL filing gauge must match the chain pitch.
- ▶ If a depth gauge (1) projects from the filing gauge (2): Lower the depth gauge (1) with a file,  16.1.



- ▶ Make sure the service marks (1 to 2) on the cutters are visible.
- ▶ If one of the service marks is not visible on a cutter: Do not use your saw chain and contact your STIHL servicing dealer for assistance.
- ▶ Use a STIHL filing gauge to check that the filing angle is 30° on all cutters. The STIHL filing gauge must match the chain pitch.
- ▶ If the filing angle of 30° has not been maintained: Resharpen the saw chain.
- ▶ If you have any queries: Contact a STIHL servicing dealer for assistance.

10.4 Checking the Chain Guard

- ▶ Remove the battery.

WARNING

The chain's cutters are very sharp. There is a risk of cut injuries.

- ▶ Wear work gloves made of durable material.
-
- ▶ Swing chain guard upward and let it go. Chain guard springs back to its original position.

- ▶ If the chain guard is stiff or does not spring back to its original position: Do not use the garden pruner and contact your STIHL dealer for assistance. The chain guard is defective.

10.5 Checking the Controls

Lockout lever and trigger

- ▶ Remove the battery.
- ▶ Attempt to pull the trigger without depressing the lockout lever.
- ▶ If the trigger can be pulled: Contact a STIHL servicing dealer for assistance. The lockout lever is faulty.
- ▶ Depress the lockout lever and hold it in that position.
- ▶ Pull the trigger and then let it go.
- ▶ If the trigger is stiff or does not spring back to its idle position: Do not use the garden pruner and contact your STIHL dealer for assistance. The trigger has a malfunction.

Switching on the garden pruner

- ▶ Fit the battery.
- ▶ Depress the lockout lever and hold it in that position.
- ▶ Pull the trigger and hold it there. The chain rotates.
- ▶ If 3 LEDs flash red: Remove the battery and contact your STIHL dealer for assistance. There is a malfunction in the garden pruner.
- ▶ Release the trigger. The chain stops rotating.
- ▶ If the chain continues to rotate: Remove the battery and contact your STIHL dealer for assistance. The garden pruner is defective.

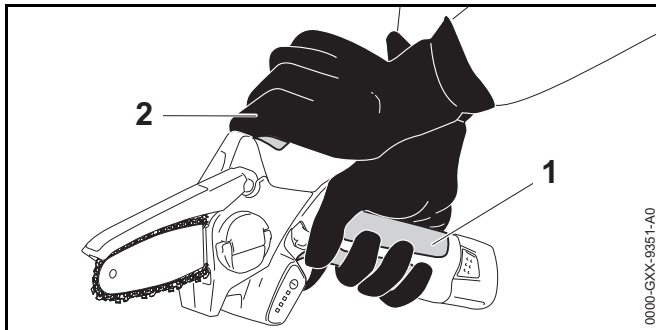
10.6 Testing the Battery

- ▶ Fit the battery.
- ▶ Press button on garden pruner. The LEDs glow or flash.

- ▶ If the LEDs do not glow or flash: Do not use the garden pruner or battery and contact your STIHL dealer for assistance.
There is a malfunction in the garden pruner or battery.

11 Using the Garden Pruner

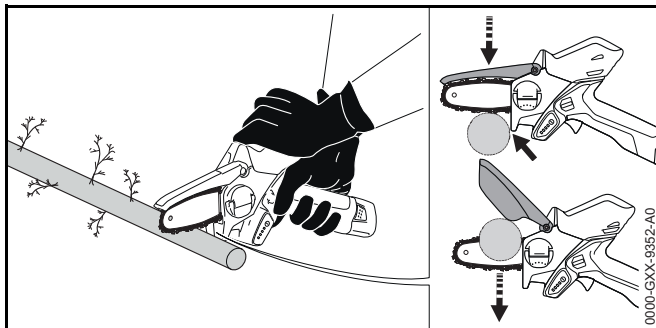
11.1 Holding and Controlling the Garden Pruner



- ▶ Hold and control the garden pruner with one hand on the grip area (1) of the control handle – wrap your thumb around the control handle.
- ▶ Hold and control the garden pruner with your other hand on the grip surface (2).

11.2 Cutting

- ▶ Start the cut with the chain running at full speed.



- ▶ Engage the stop and use it as a fulcrum.
- ▶ Continue cut until complete guide bar is through the branch.
- ▶ Take the weight of the garden pruner at the end of the cut.
- ▶ Cut one branch at a time.

12 After Finishing Work

12.1 After Finishing Work

- ▶ Switch off the garden pruner and remove the battery.
- ▶ If the garden pruner is wet: Allow garden pruner to dry.
- ▶ If the battery is wet: Allow the battery to dry.
- ▶ Clean the garden pruner.
- ▶ Clean the bar and chain.
- ▶ Fit the scabbard so that it completely covers the guide bar.
- ▶ Clean the battery.

13 Transporting

13.1 Transporting the Garden Pruner

- ▶ Switch off the garden pruner and remove the battery.
- ▶ Fit the chain scabbard so that it completely covers the guide bar.

Carrying the Garden Pruner

- ▶ Carry the garden pruner with one hand on the control handle with the guide bar pointing down.

Transporting the Garden Pruner in a Car

- ▶ Transport the garden pruner in the bag supplied.
- ▶ Secure the bag to prevent it from tipping and moving.
- ▶ If no bag is supplied with the garden pruner: Secure the garden pruner so that it cannot tip over or move.

13.2 Transporting the Battery

- ▶ Switch off the garden pruner and remove the battery.
- ▶ Make sure the battery is in a safe condition.
- ▶ Pack the battery in the bag supplied.
- ▶ If no bag is supplied with the battery: Pack the battery so that the following points apply:
 - The packaging must be non-conductive.
 - Make sure the battery cannot shift inside the packaging.
- ▶ Secure the packaging so that it cannot move.

The battery is subject to the requirements for the transport of dangerous goods. The battery is classified as UN 3480 (lithium-ion batteries) and has been tested in accordance with UN Manual of Tests and Criteria, Part III, sub-section 38.3.

For transport regulations see www.stihl.com/safety-data-sheets

13.3 Transporting the Charger

- ▶ Disconnect the plug from the wall outlet.
- ▶ Remove the battery.
- ▶ Wind up the connecting cable and attach it to the charger.
- ▶ Transporting the charger in a vehicle:
 - ▶ Transport the charger in the bag supplied.
 - ▶ Secure the bag to prevent turnover and movement.
 - ▶ If no bag is supplied with the charger: Secure the charger to prevent turnover and movement.

14 Storing

14.1 Storing the Garden Pruner

- ▶ Switch off the garden pruner and remove the battery.
- ▶ Fit the scabbard so that it completely covers the guide bar.
- ▶ Check the following points when storing the garden pruner:
 - Garden pruner is out of the reach of children.
 - Garden pruner is clean and dry.

- The saw chain is lubricated.

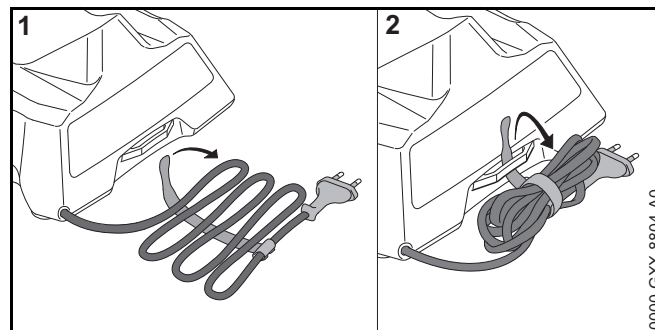
14.2 Storing the Battery

STIHL recommends that you store the battery with a charge between 40% and 60% (2 LEDs glow green).

- ▶ Check the following points when storing the battery:
 - Battery is out of the reach of children.
 - Battery is clean and dry.
 - Battery is in an enclosed location.
 - Battery is stored separately from the garden pruner and charger.
 - Battery is in non-conductive packaging.
 - Battery is in a temperature range between - 20°C and + 60°C.

14.3 Storing the Charger

- ▶ Disconnect the plug from the wall outlet.
- ▶ Remove the battery.



- ▶ Wind up the connecting cable and attach it to the charger.
- ▶ Observe the following points when storing the charger:
 - Charger is out of the reach of children.
 - Charger is clean and dry.
 - Charger is in an enclosed space.
 - Charger is stored separately, away from the battery.
 - Charger is not hanging from the connecting cable.

- Charger is in a temperature range between - 20°C and + 60°C.

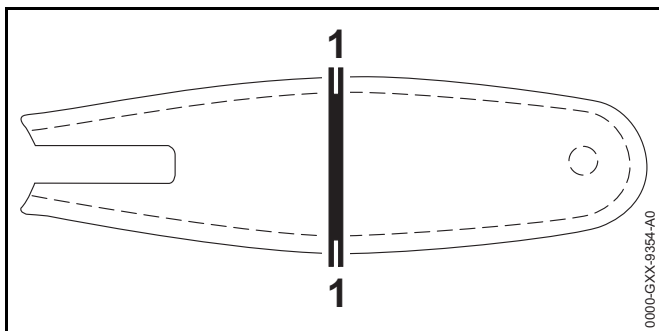
15 Cleaning

15.1 Cleaning the Garden Pruner

- ▶ Switch off the garden pruner and remove the battery.
- ▶ Clean the garden pruner with a damp cloth or STIHL resin solvent.
- ▶ Remove the chain sprocket cover.
- ▶ Clean the area around the sprocket with a damp cloth or STIHL resin solvent.
- ▶ Remove foreign matter from the battery compartment and clean the battery compartment with a damp cloth.
- ▶ Clean electrical contacts in the battery compartment with a soft brush.
- ▶ Fit the chain sprocket cover.

15.2 Cleaning the Bar and Chain

- ▶ Switch off the garden pruner and remove the battery.
- ▶ Remove the bar and chain.



- ▶ Clean the bar groove (1) with a soft brush or STIHL resin solvent.
- ▶ Clean the saw chain with a soft brush or STIHL resin solvent.
- ▶ Mount the bar and chain.

- ▶ Lubricate the saw chain.

15.3 Cleaning the Battery

- ▶ Clean the battery with a damp cloth.

15.4 Cleaning the Charger

- ▶ Disconnect the plug from the wall outlet.
- ▶ Clean the charger with a damp cloth.
- ▶ Clean the charger's electrical contacts with a soft brush.

16 Maintenance

16.1 Sharpening the Saw Chain

Correctly sharpening saw chains requires a lot of practice.

STIHL files, STIHL filing aids, STIHL sharpeners and the brochure "Sharpening STIHL Saw Chains" help you achieve the right results. To obtain the brochure visit <http://www.stihl.com/sharpening-brochure>.

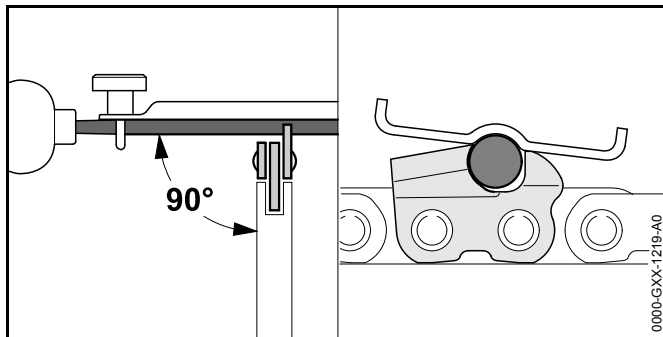
STIHL recommends you have saw chains resharpened by a STIHL servicing dealer.



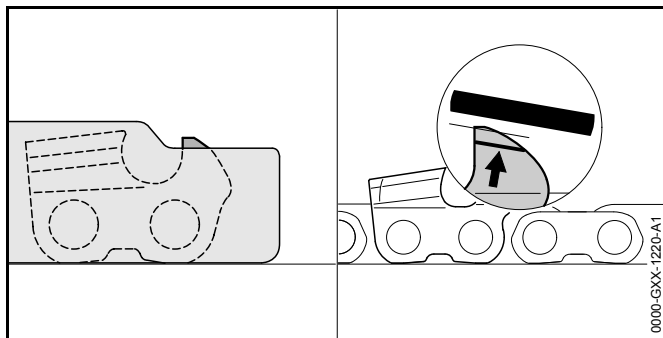
WARNING

The chain's cutters are very sharp. There is a risk of cut injuries.

- ▶ Wear work gloves made of durable material.



- ▶ File each cutter with a round file so that the following points are observed:
 - Round file matches the chain pitch.
 - File from the inside to the outside of the cutter.
 - Hold the file at right angle to the guide bar.
 - Maintain a filing angle of 30°.



- ▶ File down the depth gauges with a flat file so that they are level with the STIHL filing gauge and parallel to the service mark. The STIHL filing gauge must match the chain pitch.
- ▶ If you have any queries: Contact your STIHL servicing dealer for assistance.

17 Repairing


17.1 Repairing the Garden Pruner, Battery and Charger

The garden pruner, guide bar, saw chain, battery and charger are not user serviceable.

- ▶ If the garden pruner, guide bar or saw chain are damaged: Do not use your garden pruner, guide bar or saw chain, and contact your STIHL servicing dealer for assistance.
- ▶ If the battery has a malfunction or is damaged: Replace the battery.
- ▶ If the charger has a malfunction or is damaged: Replace the charger.
- ▶ If the connecting cable has a malfunction or is damaged: Do not use the charger and have connecting cable replaced by a STIHL servicing dealer.

18 Troubleshooting

18.1 Troubleshooting Garden Pruner or Battery

Condition	LEDs on garden pruner	Cause	Remedy
Garden pruner does not run when switched on.	1 LED flashes green.	Battery has low charge.	▶ Charge the battery.
	1 LED glows red.	Battery too hot or too cold.	▶ Remove the battery. ▶ Allow battery to cool down or warm up.
	3 LEDs flash red.	There is a malfunction in the garden pruner.	▶ Remove the battery. ▶ Clean contacts in battery compartment. ▶ Fit the battery. ▶ Switch on the garden pruner. ▶ If 3 LEDs continue to flash red: Do not use the garden pruner and contact your STIHL dealer for assistance.
	3 LEDs glow red.	Garden pruner is too hot.	▶ Remove the battery. ▶ Allow garden pruner to cool down.
	4 LEDs flash red.	There is a malfunction in the battery.	▶ Remove battery and insert it again. ▶ Switch on the garden pruner. ▶ If 4 LEDs continue to flash red: Do not use the battery and contact your STIHL dealer for assistance.
		No electrical contact between garden pruner and battery.	▶ Remove the battery. ▶ Clean contacts in battery compartment. ▶ Fit the battery.
		Garden pruner or battery damp.	▶ Allow the garden pruner or battery to dry.
		The saw chain is jammed.	▶ Remove the battery. ▶ Clean the garden pruner,  15.1.
Garden pruner cuts out during operation.	3 LEDs glow red.	Garden pruner is too hot.	▶ Remove the battery. ▶ Allow garden pruner to cool down.
		There is a electrical malfunction.	▶ Remove battery and insert it again. ▶ Switch on the garden pruner.

Condition	LEDs on garden pruner	Cause	Remedy
Cutting performance of garden pruner deteriorates.	1 LED flashes green.	Battery has low charge.	▶ Charge the battery.
		Chain is not properly sharpened.	▶ Sharpen the chain properly.
		The chain is over-tensioned.	▶ Tension the chain properly.
		Insufficient chain lubrication.	▶ Lubricate the saw chain.
Garden pruner runtime is too short		Battery not fully charged.	▶ Fully charge the battery.
		Normal battery life has been exceeded.	▶ Replace the battery.

18.2 Troubleshooting Charger

Condition	LED on Charger	Cause	Remedy
Battery not being charged.	One LED glows red.	Battery too hot or too cold.	▶ Leave battery in the charger. Charge process starts automatically as soon as permissible temperature range is reached.
	LED flashes red.	No electrical contact between charger and battery.	▶ Remove the battery. ▶ Clean contacts on charger. ▶ Fit the battery.
		There is a malfunction in the charger.	▶ Do not use the charger and contact your STIHL dealer for assistance.
		There is a malfunction in the battery.	▶ Do not use the battery and contact your STIHL dealer for assistance.
The charger (3) does not run a self test.	The LED (4) glows green for about 1 second and then red for about 1 second.	Electrical contact to charger was briefly interrupted.	▶ Disconnect the plug from the wall outlet. ▶ Wait 1 minute. ▶ Insert the plug in a wall outlet.

19 Specifications

19.1 STIHL GTA 26 Garden Pruner

- Approved battery: STIHL AS
- Weight without battery, guide bar and saw chain 1.2 kg

For battery life see www.stihl.com/battery-life.

19.2 Chain Sprockets

The following chain sprockets may be used:

- 6-tooth for 1/4" P

19.3 Minimum groove depth of guide bars

The minimum groove depth depends on the pitch of the guide bar.

- 1/4" P 4 mm

19.4 STIHL AS Battery

- Battery technology: Lithium-ion
- Voltage: 10.8 V
- Capacity in Ah: see rating label
- Energy content in Wh: see rating label
- Weight in kg: see rating label
- Permissible temperature range for operation and storage: - 20°C up to + 50°C

Charging times may be longer if the charger is used at a temperature below 0°C or higher than + 30°C.

19.5 STIHL AL 1 Charger

- Rated voltage: see rating label
- Frequency: see rating label
- Rated power: see rating label

- Charging current: see rating label
- Permissible temperature range for operation and storage: - 20°C and + 50°C
- Maximum energy content of approved STIHL AS battery: 12.5 Ah

For charging times see www.stihl.com/charging-times.

Charging times may be longer if the charger is used at a temperature below + 5°C or higher than + 30°C.

19.6 Extension Cords

If an extension cord is used, the cross sectional area of its conductors must meet the following minimum requirements – depending on the line voltage and length of the extension cord:

If rated voltage on the rating label is 220V to 240V:

- Cord length up to 20 m: AWG 15 / 1.5 mm²
- Cord length 20 m up to 50 m: AWG 13 / 2.5 mm²

If rated voltage on the rating label is 100V to 127V:

- Cord length up to 10 m: AWG 14 / 2.0 mm²
- Cord length 10 m up to 30 m: AWG 12 / 3.5 mm²

19.7 Sound Values and Vibration Values

K-value (uncertainty) for sound pressure levels is 2 dB(A).
K-value (uncertainty) for sound power levels is 2 dB(A).
K-value for vibration level is 2 m/s².

STIHL recommends wearing ear defenders.

- Sound pressure level L_{pA} measured according to EN 60745-2-13: 77 dB(A)
- Sound power level L_{wA} measured according to EN 60745-2-13: 86 dB(A)
- Vibration level a_{hv} measured according to EN 60745-2-13:
 - Control handle: 2.8 m/s²
 - Grip surface: 2.9 m/s.

The vibration levels indicated were measured according to a standardized test method and can be used as a basis for comparing electric power tools. The vibration levels actually occurring may vary from the values indicated, depending on the type of application. The vibration levels indicated can be used for an initial estimate of the vibration stress. The actual vibration stress has to be estimated. The times when the power tool is switched off and the times when it is switched on but running under no load can be taken into account in the estimate.

For information on compliance with Employers' Vibration Directive 2002/44/EC see www.stihl.com/vib.

19.8 REACH

REACH is an EC regulation and stands for the Registration, Evaluation, Authorisation and Restriction of Chemical substances.

For information on compliance with the REACH regulation see www.stihl.com/reach.

20 Bar and Chain Combinations


20.1 STIHL GTA 26 Garden Pruner

Pitch	Drive link gauge/groove width	Length	Guide bar	Nose sprocket teeth	Number of drive links	Saw chain
1/4" P	1.1 mm	10 cm	Light	–	28	71 PM3 (Type 3670)

The cutting length of a guide bar depends on the garden pruner model being used and the saw chain. Actual cutting length may be less than the specified length

21 Spare Parts and Accessories

21.1 Spare Parts and Accessories

STIHL  These symbols identify original STIHL replacement parts and original STIHL accessories.

STIHL recommends the use of original STIHL replacement parts and accessories.

Original STIHL replacement parts and original STIHL accessories are available from STIHL servicing dealers.

22 Disposal

22.1 Disposing of Garden Pruner, Battery and Charger

Information on disposal is available from STIHL servicing dealers.

- ▶ Dispose of the garden pruner, guide bar, saw chain, battery, charger, accessories and packaging in accordance with local regulations and environmental requirements.

23 EC Declaration of Conformity

23.1 STIHL GTA 26 Garden Pruner

ANDREAS STIHL AG & Co. KG
Badstraße 115
D-71336 Waiblingen
Germany

declare under our sole responsibility that

- type: cordless garden pruner
- manufacturer's brand: STIHL
- series: GTA 26

- serial number: GA01

conforms to the relevant provisions of Directives 2011/65/EU, 2006/42/EC, 2014/30/EU and 2000/14/EC and has been developed and manufactured in compliance with the following standards in the versions valid on the date of production: EN 55014-1, EN 55014-2 and EN 62841-1.

The EC type examination test was carried out pursuant to Directive 2006/42/EC, Art. 12.3(b) at: VDE Prüf- u. Zertifizierungsinstitut (NB 0366), Merianstraße 28, 63069 Offenbach, Germany

- Certification number: 40050017

The measured and guaranteed equivalent sound power level has been determined in accordance with Directive 2000/14/EC, Annex V.

- Measured sound power level: 88 dB(A)
- Guaranteed sound power level: 90 dB(A)

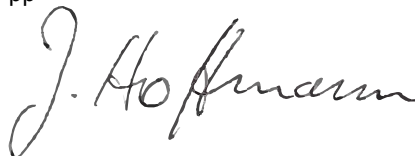
The technical documents are stored at ANDREAS STIHL AG & Co. KG Produktzulassung.

The year of manufacture, country of manufacture and serial number are applied to the garden pruner.

Done at Waiblingen, 03.02.2020

ANDREAS STIHL AG & Co. KG

pp



Dr. Jürgen Hoffmann, Head of Product Data, Regulations and Licensing

23.2 STIHL AL 1 Charger Conformity Notice

This charger has been manufactured and put on the market in accordance with the following directives: 2014/35/EU, 2014/30/EU and 2011/65/EU.

The year of manufacture, country of manufacture and serial number are applied to the charger.

The complete EC Declaration of Conformity is available from ANDREAS STIHL AG & Co. KG, Badstrasse 115, 71336 Waiblingen, Germany.

24 General Power Tool Safety Warnings

24.1 Introduction

This chapter reproduces the pre-formulated, general safety precautions specified in the IEC 62841 standard for hand-held motor-operated electric tools.

STIHL is obliged to publish these texts.

The safety precautions and warnings on avoiding an electric shock given under "Electrical Safety" do not apply to STIHL cordless products.

WARNING

Read all the safety precautions, instructions, illustrations and specifications accompanying this electric power tool. Failure to follow the safety warnings and instructions may result in electric shock, fire and/or serious injury. **Save all safety warnings and instructions for future reference.**

The term "electric power tool" in the safety warnings refers to mains-operated (corded) power tools or battery-operated (cordless) power tools.

24.2 Work area safety

- a) **Keep work area clean and well lit.** Cluttered or dark areas invite accidents.
- b) **Do not operate power tools in explosive atmospheres, such as in the presence of flammable liquids, gases or dust.** Power tools create sparks which may ignite the dust or fumes.
- c) **Keep children and bystanders away while operating a power tool.** Distractions can cause you to lose control.

24.3 Electrical safety

- a) **Power tool plugs must match the outlet. Never modify the plug in any way. Do not use any adapter plugs with earthed (grounded) power tools.** Unmodified plugs and matching outlets will reduce risk of electric shock.
- b) **Avoid body contact with earthed or grounded surfaces, such as pipes, radiators, ranges and refrigerators.** There is an increased risk of electric shock if your body is earthed or grounded.
- c) **Do not expose power tools to rain or wet conditions.** Water entering a power tool will increase the risk of electric shock.
- d) **Do not abuse the cord. Never use the cord for carrying, hanging up, pulling or unplugging the power tool. Keep cord away from heat, oil, sharp edges or moving parts.** Damaged or entangled cords increase the risk of electric shock.
- e) **When operating a power tool outdoors, use an extension cord suitable for outdoor use.** Use of a cord extension suitable for outdoor use reduces the risk of electric shock.
- f) **If operating a power tool in a damp location is unavoidable, use a residual current device (RCD) protected supply.** Use of an RCD reduces the risk of electric shock.

24.4 Personal safety

- a) **Stay alert, watch what you are doing and use common sense when operating a power tool. Do not use a power tool while you are tired or under the influence of drugs, alcohol or medication.** A moment of inattention while operating power tools may result in serious personal injury.
- b) **Use personal protective equipment. Always wear eye protection.** Protective equipment such as dust mask, non-skid safety shoes, hard hat, or hearing protection used for appropriate conditions will reduce personal injuries.
- c) **Prevent unintentional starting. Ensure the switch is in the off position before connecting to power source and/or battery pack, picking up or carrying the power tool.**

Carrying power tools with your finger on the switch or energizing power tools that have the switch on invites accidents.

- d) **Remove any adjusting key or wrench before turning the power tool on.** A wrench or a key left attached to a rotating part of the power tool may result in personal injury.
- e) **Do not overreach. Keep proper footing and balance at all times.** This enables better control of the power tool in unexpected situations.
- f) **Dress properly. Do not wear loose clothing or jewelry. Keep your hair, clothing and gloves away from moving parts.** Loose clothes, jewelry or long hair can be caught in moving parts.
- g) **If dust extraction and collection devices can be mounted, they should be connected and used correctly.** Use of dust collection can reduce dust-related hazards.
- h) **Do not be lulled into a false sense of security and do not disregard the safety rules even if you are thoroughly familiar with the electric power tool.** Carelessness can result in serious injuries within fractions of a second.

24.5 Power tool use and care

- a) **Do not force the power tool. Use the correct power tool for your application.** The correct power tool will do the job better and safer at the rate for which it was designed.
- b) **Do not use the power tool if the switch does not turn it on and off.** Any power tool that cannot be controlled with the switch is dangerous and must be repaired.
- c) **Disconnect the plug from the power source and/or take a removable battery pack out of the power tool before making any adjustments, changing accessories, or storing power tools.** Such preventive safety measures reduce the risk of starting the power tool accidentally.
- d) **Store idle power tools out of the reach of children and do not allow persons unfamiliar with the power tool or these instructions to operate the power tool.** Power tools are dangerous in the hands of untrained users.

- e) **Maintain power tools and accessories with care. Check for misalignment or binding of moving parts, breakage of parts and any other condition that may affect the power tool's operation. If damaged, have the power tool repaired before use.** Many accidents are caused by poorly maintained power tools.
- f) **Keep cutting attachments sharp and clean.** Properly maintained cutting attachments with sharp cutting edges are less likely to bind and are easier to control.
- g) **Use the power tool, accessories, tool bits etc. in accordance with these instructions, taking into account the working conditions and the work to be performed.** Use of the power tool for operations different from those intended could result in a hazardous situation.
- h) **Keep handles and grip surfaces dry, clean and free from oil and grease.** Slippery handles and grip surfaces do not allow proper operation and control of the power tool in unforeseen situations.

24.6 Battery tool use and care

- a) **Recharge only with the charger specified by the manufacturer.** A charger that is suitable for one type of battery pack may create a risk of fire when used with another battery pack.
- b) **Use power tools only with specifically designated battery packs.** Use of any other battery packs may create a risk of injury and fire.
- c) **When battery pack is not in use, keep it away from other metal objects, like paper clips, coins, keys, nails, screws or other small objects that can make a connection from one terminal to another.** Shorting the battery terminals together may cause burns or a fire.
- d) **Under abusive conditions, liquid may be ejected from the battery; avoid contact. If contact accidentally occurs, flush with water. If liquid contacts eyes, additionally seek medical help.** Liquid ejected from the battery may cause irritation or burns.

- e) **Do not use a battery pack or tool that is damaged or modified.** Damaged or modified batteries may exhibit unpredictable behaviour resulting in fire, explosion or risk of injury.
- f) **Do not expose a battery pack or tool to fire or excessive temperature.** Exposure to fire or temperature above 130 °C (265 °F) may cause explosion.
- g) **Follow all charging instructions and do not charge the battery pack or tool outside the temperature range specified in the instructions.** Charging improperly or at temperatures outside the specified range may damage the battery and increase the risk of fire.

24.7 Service

- a) **Have your power tool serviced by a qualified repair person using only identical replacement parts.** This will ensure that the safety of the power tool is maintained.
- b) **Never service damaged batteries.** Service of battery packs should only be performed by the manufacturer or authorized service providers.

Índice

1	Prólogo	36
2	Informaciones relativas a estas instrucciones para la reparación	36
2.1	Documentación aplicable	36
2.2	Marca de las indicaciones de advertencia en el texto	37
2.3	Símbolos en el texto	37
3	Sinopsis	37
3.1	Cortarramas, batería y cargador	37
3.2	Símbolos	38
4	Indicaciones relativas a la seguridad	39
4.1	Símbolos de advertencia	39
4.2	Uso previsto	39
4.3	Requisitos para el usuario	40
4.4	Ropa y equipamiento de trabajo	40
4.5	Sector de trabajo y entorno	41
4.6	Estado seguro	42
4.7	Trabajos	45
4.8	Fuerzas de reacción	46
4.9	Cargar	46
4.10	Realizar las conexiones eléctricas	46
4.11	Transporte	48
4.12	Almacenamiento	49
4.13	Limpieza, mantenimiento y reparación	50
5	Preparar el cortarramas para el trabajo	50
5.1	Preparar el cortarramas para el trabajo	50
6	Cargar el acumulador y LEDs	51
6.1	Montar el cargador en una pared	51
6.2	Cargar la batería	51
6.3	Visualizar el estado de carga	52
6.4	LED del cortarramas	52
6.5	LED del cargador	52
7	Ensamblar el cortarramas	52
7.1	Desmontar y montar la espada y la cadena de aserrado	52
7.2	Tensar la cadena de aserrado	53
7.3	Lubricar la cadena de aserrado	54
8	Colocar y sacar el acumulador	54
8.1	Colocar la batería	54
8.2	Sacar la batería	54
9	Conectar y desconectar el cortarramas	55
9.1	Conectar el cortarramas	55
9.2	Desconectar el cortarramas	55
10	Comprobar el cortarramas y la batería	55
10.1	Comprobar el piñón de cadena	55
10.2	Comprobar la espada	55
10.3	Comprobar la cadena de aserrado	56
10.4	Examinar la cubierta protectora	56
10.5	Comprobar los elementos de mando	57
10.6	Comprobar la batería	57
11	Trabajar con el cortarramas	57
11.1	Sujeción y manejo del cortarramas	57
11.2	Cortar	57
12	Después del trabajo	58
12.1	Después del trabajo	58
13	Transporte	58
13.1	Transportar el cortamatorrales	58
13.2	Transportar la batería	58
13.3	Transportar el cargador	58
14	Almacenamiento	59
14.1	Guardar el cortarramas	59
14.2	Guardar la batería	59
14.3	Guardar el cargador	59
15	Limpiar	59
15.1	Limpiar el cortarramas	59
15.2	Limpiar la espada y la cadena de aserrado	60
15.3	Limpiar el acumulador	60

STIHL

Este manual de instrucciones está protegido por derechos de autor. Nos reservamos todos los derechos, especialmente el derecho a la reproducción, traducción y elaboración con sistemas electrónicos.

15.4 Limpiar el cargador	60
16 Mantenimiento	60
16.1 Afilar la cadena de aserrado	60
17 Reparación	61
17.1 Reparar el cortarramas, la batería y el cargador.....	61
18 Subsanan las perturbaciones	62
18.1 Solucionar las anomalías del cortarramas.....	62
18.2 Solucionar las anomalías del cargador.....	63
19 Datos técnicos	65
19.1 Cortarramas STIHL GTA 26.....	65
19.2 Piñones de cadena	65
19.3 Profundidad mínima de ranura de las espadas	65
19.4 Batería STIHL AS.....	65
19.5 Cargador STIHL AL 1	65
19.6 Cables de prolongación	65
19.7 Valores de sonido y vibración	65
19.8 REACH	66
20 Combinaciones de espadas y cadenas	67
20.1 Cortarramas STIHL GTA 26.....	67
21 Piezas de repuesto y accesorios	68
21.1 Piezas de repuesto y accesorios	68
22 Gestión de residuos	68
22.1 Gestionar como residuos el cortarramas, la batería y el cargador.....	68
23 Declaración de conformidad UE	68
23.1 Cortamatorrales STIHL GTA 26.....	68
23.2 Indicación de conformidad del cargador STIHL AL 1	69
24 Indicaciones de seguridad generales para herramientas eléctricas	69
24.1 Introducción	69
24.2 Seguridad en el lugar de trabajo	69
24.3 Seguridad eléctrica	69
24.4 Seguridad de personas	70
24.5 Uso y trato de la herramienta eléctrica	70
24.6 Uso y trato de la herramienta de acumulador.....	71
24.7 Servicio Técnico	71

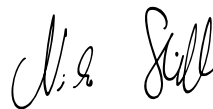
1 Prólogo

Distinguido cliente:

Nos alegramos de que se hayan decidido por STIHL. Desarrollamos y confeccionamos nuestros productos en primera calidad y con arreglo a las necesidades de nuestros clientes. De esta manera conseguimos elaborar productos altamente fiables incluso en condiciones de esfuerzo extremas.

STIHL también presta un Servicio Postventa de primera calidad. Nuestros comercios especializados garantizan un asesoramiento e instrucciones competentes así como un amplio asesoramiento técnico.

Le agradecemos su confianza y le deseamos que disfrute de su producto STIHL.



Dr. Nikolas Stihl

IMPORTANTE: LEER ANTES DE USAR Y GUARDAR.

2 Informaciones relativas a estas instrucciones para la reparación

2.1 Documentación aplicable

Se aplican las normas de seguridad locales.

- ▶ Además de este manual de instrucciones, leer los siguientes documentos, entenderlos, y guardarlos:
 - Información sobre el aceite multifuncional Multioil Bio STIHL: www.stihl.com/safety-data-sheets
 - Información de seguridad sobre baterías STIHL y productos con batería incorporada: www.stihl.com/safety-data-sheets

2.2 Marca de las indicaciones de advertencia en el texto

⚠ PELIGRO

La indicación hace referencia a peligros que pueden provocar lesiones graves o la muerte.

- ▶ Con las medidas mencionadas se pueden evitar lesiones graves o mortales.

⚠ ADVERTENCIA

La indicación hace referencia a peligros que **pueden** provocar lesiones graves o la muerte.

- ▶ Con las medidas mencionadas se pueden evitar lesiones graves o mortales.

INDICACIÓN

La indicación hace referencia a peligros que pueden provocar daños materiales.

- ▶ Con las medidas mencionadas se pueden evitar daños materiales.

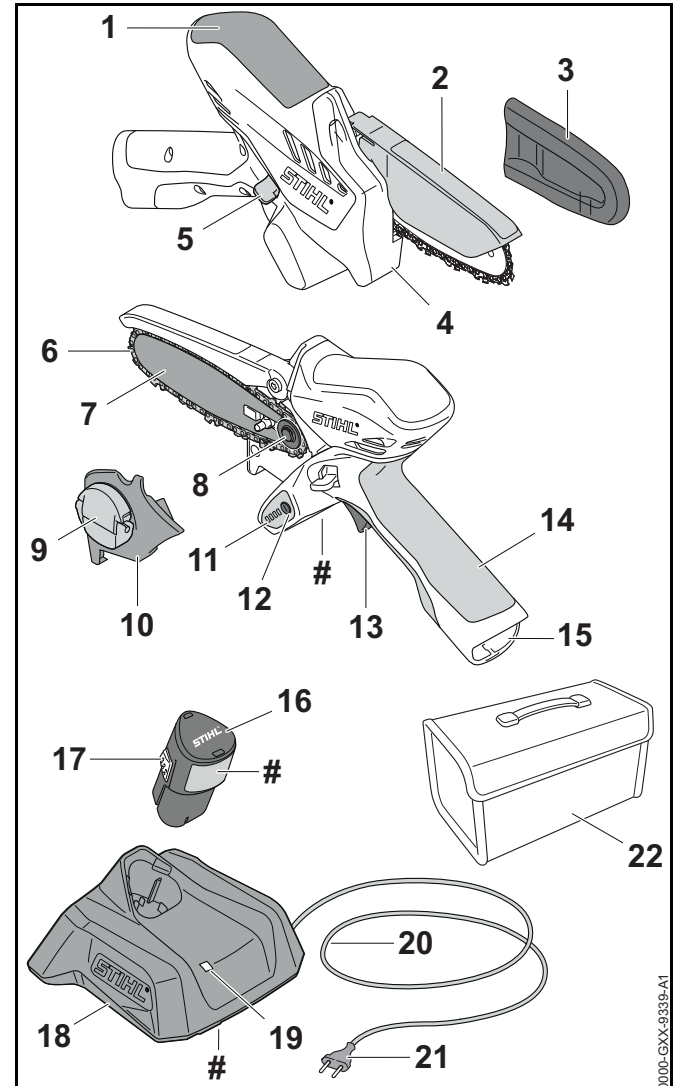
2.3 Símbolos en el texto



Este símbolo remite a un capítulo de este manual de instrucciones.

3 Sinopsis

3.1 Cortarramas, batería y cargador



- 1 Punto de agarre**
El punto de agarre sirve para sujetar y guiar el cortarramas.
- 2 Cubierta protectora**
La cubierta protectora protege del contacto con la cadena de aserrado.
- 3 Protector de la cadena**
El protector de la cadena protege del contacto con la cadena de aserrado.
- 4 Tope**
El tope apoya el cortarramas en la madera durante el trabajo.
- 5 Palanca de bloqueo**
La palanca de bloqueo desbloquea la palanca de mando.
- 6 Cadena de aserrado**
La cadena de aserrado corta la madera.
- 7 Espada**
La espada guía la cadena de aserrado.
- 8 Piñón de cadena**
El piñón de cadena impulsa la cadena de aserrado.
- 9 Tuerca de aletas**
La tuerca de aletas fija la tapa del piñón de cadena al cortarramas.
- 10 Tapa del piñón de cadena**
La tapa del piñón de cadena cubre dicho piñón y fija la espada al cortarramas.
- 11 LED**
Los LED indican el estado de carga de la batería y las anomalías.
- 12 Tecla de presión**
La tecla de presión activa los LED en el cortarramas.
- 13 Palanca de mando**
La palanca de mando conecta y desconecta el cortarramas.
- 14 Empuñadura de mando**
La empuñadura de mando sirve para usar, sostener y guiar el cortarramas.
- 15 Cavity para la batería**
La cavity para la batería aloja la batería.
- 16 Batería**
La batería alimenta el cortarramas.
- 17 Gancho de sujeción**
El gancho de sujeción mantiene la batería en su cavity.
- 18 Cargador**
El cargador carga la batería.
- 19 LED**
El LED indica el estado del cargador.
- 20 Cable de conexión**
El cable de conexión conecta el cargador al enchufe de red.
- 21 Enchufe de red**
El enchufe de la red une el cable de conexión a una caja de enchufe.
- 22 Bolsa**
La bolsa sirve para transportar y guardar el cortarramas, la batería y el cargador. La bolsa está incluida solo en el volumen de suministro del juego (compuesto por el cortarramas, la batería y el cargador).
- # Rótulo de potencia con número de máquina**

3.2 Símbolos

Los símbolos pueden encontrarse en el cortarramas, la batería y el cargador y significan lo siguiente:



Este símbolo indica el sentido de funcionamiento de la cadena de aserrado.



El LED luce o parpadea en verde. La batería se está cargando.



El LED parpadea en rojo. No hay contacto eléctrico entre la batería y el cargador o hay una anomalía en la batería o en el cargador.



Longitud de una espada que se permite emplear.



Nivel de potencia sonora garantizado en dB(A) según la directriz 2000/14/CE para equiparar las emisiones sonoras de productos.



Los datos junto al símbolo indican el contenido energético de la batería según la especificación del fabricante de las células. El contenido de energía disponible para la aplicación es más bajo.



Trabajar con el producto eléctrico solo en locales cerrados y secos.



No desechar el producto con la basura doméstica.



Leer este manual de instrucciones, entenderlo y guardarlo.

4 Indicaciones relativas a la seguridad

4.1 Símbolos de advertencia

Los símbolos de advertencia en el cortamatorrales, la batería y el cargador significan lo siguiente:



Tener en cuenta las indicaciones de seguridad y sus medidas.



Leer estas instrucciones de uso, entenderlas y guardarlas.



Utilizar gafas protectoras.



Sujetar el cortamatorrales con ambas manos.



No tocar la cadena de aserrado cuando esté en funcionamiento.



Sacar la batería durante las interrupciones de los trabajos, el transporte, cuando se guarde y se realicen trabajos de mantenimiento o reparación.



Proteger el cortamatorrales y el cargador contra la lluvia y la humedad.



Proteger la batería contra el calor y el fuego.



Proteger la batería contra la lluvia y la humedad y no sumergirla en líquidos.

4.2 Uso previsto

El cortarramas STIHL GTA 26 sirve para cortar madera.

El cortarramas no se puede utilizar bajo la lluvia.

La batería STIHL AS alimenta el cortarramas con energía.

El cargador STIHL AL 1 carga la batería STIHL AS.

⚠ ADVERTENCIA

- Las baterías y cargadores no autorizados por STIHL para el cortarramas pueden provocar incendios y explosiones. Las personas pueden sufrir lesiones graves o mortales y se pueden producir daños materiales.
 - ▶ Utilizar el cortarramas con una batería STIHL AS.
 - ▶ Cargar la batería STIHL AS con un cargador STIHL AL 1.
- En el caso de que el cortarramas, la batería o el cargador no se empleen de forma apropiada, las personas pueden sufrir lesiones graves o mortales y se pueden producir daños materiales.
 - ▶ Emplear el cortarramas, la batería y el cargador tal y como se especifica en este manual de instrucciones.

4.3 Requisitos para el usuario

⚠ ADVERTENCIA

- Los usuarios no instruidos no pueden detectar o calcular los peligros del cortarramas, la batería y el cargador. El usuario u otras personas pueden sufrir lesiones graves o mortales.



- ▶ Leer este manual de instrucciones, entenderlo y guardarlo.

- ▶ En caso de prestar el cortarramas, la batería o el cargador a otra persona, entregarle el manual de instrucciones.
- ▶ Asegurarse de que el usuario cumple con estos requisitos:
 - El usuario está descansado.
 - El usuario tiene capacidad física, sensorial y psíquica para manejar el cortarramas, la batería y el cargador y trabajar con ellos. En el caso de que el usuario presente limitaciones físicas,

sensoriales o psíquicas, deberá trabajar solo bajo supervisión y siguiendo las instrucciones de una persona responsable.

- El usuario puede identificar o calcular los peligros del cortarramas, la batería y el cargador.
 - El usuario es mayor de edad o, según las correspondientes regulaciones nacionales, es instruido bajo supervisión en una profesión.
 - El usuario ha recibido instrucciones de un distribuidor especializado STIHL o una persona especializada antes de trabajar por primera vez con el cortarramas y utilizar el cargador.
 - El usuario no se encuentra bajo los efectos del alcohol, medicamentos o drogas.
- ▶ En caso de dudas, acudir a un distribuidor especializado STIHL.

4.4 Ropa y equipamiento de trabajo

⚠ ADVERTENCIA

- Durante el trabajo, el cortamatorrales puede absorber el pelo largo. El usuario puede lesionarse gravemente.
 - ▶ Recogerse el pelo largo y asegurarlo, de manera que se encuentre por encima de los hombros.
- Durante el trabajo pueden salir disparados hacia arriba objetos a alta velocidad. El usuario puede resultar lesionado.



- ▶ Ponerse gafas protectoras muy pegadas. Las gafas protectoras apropiadas están verificadas según la norma EN 166 o según las normativas nacionales y se pueden adquirir en un comercio con la correspondiente marcación.
- ▶ Llevar pantalones largos.

- Los objetos que caen pueden producir lesiones en la cabeza.
 - ▶ Si pueden caer objetos durante el trabajo, usar un casco protector.
- Durante el trabajo puede levantarse polvo. El polvo aspirado puede perjudicar la salud y provocar reacciones alérgicas.
 - ▶ En el caso de levantarse polvo, ponerse una mascarilla protectora contra el polvo.
- La ropa no apropiada se puede enganchar en la leña, la maleza y en el cortamatorrales. Los usuarios que no lleven ropa apropiada puede resultar gravemente lesionados.
 - ▶ Usar ropa ceñida.
 - ▶ Quitarse pañuelos y joyas.
- Durante el trabajo, el usuario se puede cortar con la leña. Durante la limpieza o el mantenimiento, el usuario puede entrar en contacto con la cadena de aserrado. El usuario puede resultar lesionado.
 - ▶ Utilizar guantes de trabajo de material resistente.
- Si el usuario lleva calzado no apropiado, se puede resbalar. El usuario puede resultar lesionado.
 - ▶ Llevar calzado resistente y cerrado con suela antideslizante.

4.5 Sector de trabajo y entorno

4.5.1 Cortarramas

⚠ ADVERTENCIA

- Las personas ajenas, los niños y los animales no pueden identificar ni calcular los peligros del cortarramas y los objetos lanzados hacia arriba. Las personas ajenas, los niños y los animales pueden sufrir lesiones graves y se pueden originar daños materiales.
 - ▶ Mantener a personas ajenas a los trabajos, niños y animales apartados del entorno.
 - ▶ No dejar el cortarramas sin vigilancia.

- ▶ Asegurarse de que los niños no puedan jugar con el cortarramas.
- El cortarramas no está protegido contra el agua. En el caso de estar trabajando bajo la lluvia o en un ambiente húmedo, se puede producir una descarga eléctrica. El usuario puede sufrir lesiones y el cortarramas se puede dañar.



- ▶ No trabajar bajo la lluvia ni en un entorno húmedo.

- Los componentes eléctricos del cortarramas pueden producir chispas. Las chispas pueden provocar incendios y explosiones en un entorno fácilmente inflamable o explosivo. Las personas pueden sufrir lesiones graves o mortales y se pueden producir daños materiales.
 - ▶ No trabajar en un entorno fácilmente inflamable ni en un entorno explosivo.

4.5.2 Batería

⚠ ADVERTENCIA

- Las personas ajenas a la máquina, los niños y los animales no pueden identificar ni calcular los peligros de la batería. Las personas ajenas, los niños y los animales pueden sufrir lesiones graves.
 - ▶ Mantener a personas ajenas a los trabajos, a los niños y los animales alejados.
 - ▶ No dejar la batería sin vigilancia.
 - ▶ Asegurarse de que los niños no puedan jugar con la batería.
- La batería no está protegida contra todas las influencias ambientales. Si la batería está expuesta a determinadas influencias ambientales, puede prender fuego o explotar. Las personas pueden sufrir lesiones graves y se pueden producir daños materiales.



- ▶ Proteger la batería contra el calor y el fuego.
- ▶ No tirar las baterías al fuego.

- ▶ Utilizar y guardar la batería en un margen de temperatura de entre - 20 °C + 50 °C.



- ▶ Proteger la batería contra la lluvia y la humedad y no sumergirla en líquidos.

- ▶ Mantener la batería apartada de objetos metálicos.
- ▶ No someter la batería a alta presión.
- ▶ No someter la batería a microondas.
- ▶ Proteger la batería contra productos químicos y sales.

4.5.3 Cargador

⚠ ADVERTENCIA

- Las personas ajenas y los niños no pueden identificar ni calcular los peligros del cargador ni de la corriente eléctrica. Las personas ajenas, los niños y los animales pueden sufrir graves lesiones o la muerte.
 - ▶ Mantener a personas ajenas a los trabajos, a los niños y los animales alejados.
- ▶ Asegurarse de que los niños no puedan jugar con el cargador.
- El cargador no está protegido contra el agua. En el caso de estar trabajando bajo la lluvia o en un ambiente húmedo, se puede producir una descarga eléctrica. El usuario puede sufrir lesiones y el cargador se puede dañar.



- ▶ No trabajar bajo la lluvia ni en un entorno húmedo.

- El cargador no está protegido contra todas las influencias ambientales. Si el cargador está expuesto a determinadas influencias ambientales, este puede prender fuego o explotar. Las personas pueden sufrir lesiones graves y se pueden producir daños materiales.
 - ▶ Trabajar con el cargador solo en locales cerrados y secos.
 - ▶ No manejar el cargador en un entorno fácilmente inflamable ni en un entorno explosivo.
 - ▶ No manejar el cargador sobre una base fácilmente inflamable.
 - ▶ Utilizar y almacenar el cargador en un margen de temperatura de entre - 20 °C y + 50 °C.
- Las personas pueden tropezar con el cable de conexión. Las personas pueden sufrir lesiones y se puede dañar el cargador.
 - ▶ Tender plano el cable de conexión en el suelo.

4.6 Estado seguro

4.6.1 Cortamatorrales

El cortamatorrales se encuentra en un estado seguro si se cumplen estas condiciones:

- El cortamatorrales está en perfecto estado.
- El cortamatorrales está limpio y seco.
- La cubierta protectora está montada.
- La cubierta protectora no está dañada ni modificada.
- Los elementos de mando funcionan y no han sido modificados.
- La cadena de aserrado está engrasada.
- Las huellas de rodadura en el piñón de cadena no tienen más de 0,5 mm de profundidad.
- Hay montada una combinación de espada y cadena de aserrado indicada en este manual de instrucciones.
- La espada y la cadena de aserrado están montadas correctamente.
- La cadena de aserrado está tensada correctamente.


- Solo se han montado accesorios originales STIHL para este cortamatorrales.
- Los accesorios están montados correctamente.

⚠ ADVERTENCIA

- En un estado que no sea seguro, es posible que ciertos componentes ya no funcionen correctamente y se desactiven dispositivos de seguridad. Las personas pueden sufrir lesiones graves o mortales.
 - ▶ Trabajar con un cortamatorrales que no esté averiado.
 - ▶ Si está sucio o mojado el cortamatorrales, limpiarlo y dejarlo secar.
 - ▶ No modificar el cortamatorrales. Excepción: montaje de una combinación de carril-guía y cadena de aserrado indicada en estas instrucciones de uso.
 - ▶ Utilizar el cortamatorrales solo con una cubierta protectora montada.
 - ▶ Si la cubierta protectora está dañada o modificada, no trabajar con el cortamatorrales.
 - ▶ Si los elementos de mando no funcionan, no trabajar con el cortamatorrales.
 - ▶ Montar solo accesorios originales STIHL para este cortamatorrales.
 - ▶ Montar la espada y la cadena de aserrado tal y como se especifica en este manual de instrucciones.
 - ▶ Montar los accesorios tal y como se describe en este manual de instrucciones o en el manual de instrucciones del accesorio correspondiente.
 - ▶ No introducir objetos en las aberturas del cortamatorrales.
 - ▶ Sustituir los rótulos de indicación que estén desgastados o dañados.
 - ▶ En caso de dudas, acuda a un distribuidor especializado STIHL.

4.6.2 Espada

La motosierra se encuentra en un estado seguro si se cumplen estas condiciones:

- La espada no está dañada.
- La espada no está deformada.
- La ranura tiene la profundidad mínima o una profundidad superior a la mínima,  19.3.
- La ranura no está estrechada o ensanchada.

⚠ ADVERTENCIA

- En un estado de seguridad deficiente, la espada o la cadena ya no pueden funcionar de forma segura. La cadena en funcionamiento puede saltar de la espada. Las personas pueden sufrir lesiones graves o mortales.
 - ▶ Trabajar con una espada que no esté defectuosa.
 - ▶ Si la profundidad de la ranura es inferior a la profundidad mínima, sustituir la espada.
 - ▶ En caso de dudas, acudir a un distribuidor especializado STIHL.

4.6.3 Cadena de aserrado

La cadena se encuentra en un estado seguro, cuando se cumplen estas condiciones:

- La cadena no está dañada.
- La cadena está afilada correctamente.
- Las marcas de desgaste en los dientes de corte son visibles.

⚠ ADVERTENCIA

- En un estado inseguro, los componentes pueden dejar de funcionar correctamente y los dispositivos de seguridad se desactivan. Las personas pueden sufrir lesiones graves o mortales.
 - ▶ Trabajar con una cadena que no esté defectuosa.
 - ▶ Afilar correctamente la cadena de aserrado.

- ▶ En caso de dudas: acuda a un distribuidor especializado STIHL.

4.6.4 Batería

La batería se encuentra en un estado seguro cuando se cumplen las siguientes condiciones:

- La batería no está dañada.
- La batería está limpia y seca.
- La batería funciona y no está modificada.

ADVERTENCIA

- En un estado que no sea seguro, la batería ya no podrá funcionar con seguridad. Personas pueden ser lesionadas gravemente.
 - ▶ Trabajar solo con una batería que no esté dañada y funcione.
 - ▶ No cargar una batería dañada o defectuosa.
 - ▶ Si la batería está sucia o mojada: limpiar la batería y dejar que se seque.
 - ▶ No modificar la batería.
 - ▶ No meter ningún objeto en las aberturas de la batería.
 - ▶ No poner los contactos de la batería en contacto con objetos metálicos (no cortocircuitarlos).
 - ▶ No abrir la batería.
 - ▶ Sustituir los rótulos desgastados o dañados.
- De una batería dañada puede salir líquido. Si el líquido entra en contacto con la piel o los ojos, estos se podrán irritar.
 - ▶ Evitar cualquier contacto con el líquido.
 - ▶ Si se ha producido un contacto con la piel: lavar la piel afectada con agua abundante y jabón.
 - ▶ Si se ha producido un contacto con los ojos: lavar los ojos durante al menos 15 minutos con agua abundante y visitar a un médico.

- Una batería defectuosa o dañada puede oler raro, humear o arder. Personas pueden ser gravemente lesionadas o matadas y se pueden producir daños materiales.
 - ▶ Si la batería huele raro o humea: no utilizar la batería y mantenerla alejada de objetos inflamables.
 - ▶ Si la batería arde: intentar apagar el fuego con un extintor o con agua.

4.6.5 Cargador

El cargador se encuentra en un estado seguro si se cumplen las siguientes condiciones:

- El cargador no está dañado.
- El cargador está limpio y seco.

ADVERTENCIA

- En un estado inseguro, los componentes pueden dejar de funcionar correctamente y los dispositivos de seguridad se desactivan. Las personas pueden sufrir lesiones graves o mortales.
 - ▶ Emplear un cargador que no esté dañado.
 - ▶ Si el cargador está sucio o mojado, limpiarlo y dejarlo secar.
 - ▶ No modificar el cargador.
 - ▶ No introducir objetos en las aberturas del cargador.
 - ▶ No unir nunca los contactos eléctricos del cargador con objetos de metal ni cortocircuitarlos.
 - ▶ No abrir el cargador.

4.7 Trabajos

⚠ ADVERTENCIA

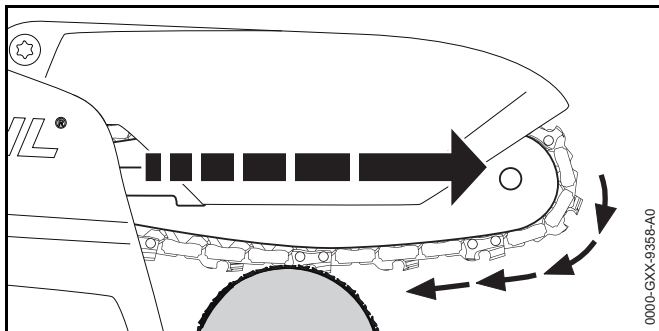
- Si no hay ninguna persona a una distancia adecuada fuera de la zona de trabajo, no podrá pedir ayuda en caso de emergencia.
 - ▶ Asegurarse de que haya alguien a una distancia adecuada fuera de la zona de trabajo.
- En determinadas situaciones, el usuario no puede trabajar con concentración. El operario puede perder el control sobre el cortarramas, tropezar, caerse y lesionarse gravemente.
 - ▶ Trabajar con tranquilidad y precaución.
 - ▶ Si las condiciones de luz y de visibilidad son deficientes, no trabajar con el cortarramas.
 - ▶ Solo una persona puede manejar el cortarramas.
 - ▶ No trabajar a una altura superior a la de los hombros.
 - ▶ Prestar atención a los obstáculos.
 - ▶ Trabajar de pie en el suelo y mantener el equilibrio. Si se tiene que trabajar en alturas, utilizar una plataforma elevadora de trabajo o un andamio seguro.
 - ▶ Si se detectan signos de fatiga, hacer una pausa de trabajo.
- La cadena de aserrado en funcionamiento puede cortar al usuario. El usuario puede lesionarse gravemente.
 - ▶ No tocar la cadena de aserrado en funcionamiento.
 - ▶ Si la cadena de aserrado está bloqueada por algún objeto, desconectar el cortarramas y sacar la batería. No quitar el objeto hasta ese momento.
- La cadena de aserrado en funcionamiento se calienta y se dilata. Si la cadena de aserrado no se engrasa ni se retensa adecuadamente, puede saltar de la espada o romperse. Las personas pueden sufrir lesiones graves y se pueden producir daños materiales.
 - ▶ Utilizar aceite multifunciones Multioil Bio STIHL o un aceite multifuncional equiparable y biodegradable.
 - ▶ Lubricar la cadena de aserrado durante el trabajo después de cada carga.
- ▶ Comprobar periódicamente la tensión de la cadena de aserrado durante el trabajo. Si la tensión de la cadena de aserrado es demasiado baja, tensar la cadena.
- Durante el trabajo se pueden calentar la espada, la cadena de aserrado y el piñón de cadena. El usuario puede quemarse.
 - ▶ No tocar la espada, la cadena y el piñón de cadena de aserrado cuando están calientes.
 - ▶ Esperar a que se enfríen la espada, la cadena de aserrado y el piñón de cadena.
 - ▶ Utilizar guantes de trabajo de material resistente.
- Si el cortarramas cambia durante el trabajo o se comporta de forma no habitual, puede que no esté en un estado seguro. Las personas pueden sufrir lesiones graves y se pueden producir daños materiales.
 - ▶ Finalizar el trabajo, quitar la batería y acudir a un distribuidor especializado STIHL.
- Durante el trabajo, el cortarramas puede producir vibraciones.
 - ▶ Utilizar guantes protectores.
 - ▶ Hacer pausas.
 - ▶ Si se perciben síntomas de trastornos circulatorios, acudir a un médico.
- Si la cadena de aserrado en funcionamiento choca con un objeto duro, pueden producirse chispas. Las chispas pueden provocar incendios en un entorno fácilmente inflamable. Las personas pueden sufrir lesiones graves o mortales y se pueden producir daños materiales.
 - ▶ No trabajar en un entorno fácilmente inflamable.
- Si se suelta la palanca de mando, la cadena de aserrado sigue girando todavía durante un breve tiempo. La cadena de aserrado en movimiento puede cortar a las personas. Las personas pueden sufrir lesiones graves.
 - ▶ Esperar hasta que la cadena de aserrado deje de moverse.

⚠ PELIGRO

- Si se trabaja cerca de cables conductores de corriente, la cadena de aserrado puede entrar en contacto con dichos cables y dañarlos. El usuario puede sufrir lesiones graves y mortales.
 - ▶ No trabajar cerca de cables conductores de corriente.

4.8 Fuerzas de reacción

4.8.1 Fuerzas de reacción



Cuando se trabaja con el lado inferior de la espada, el cortarramas tiene la tendencia a separarse del usuario.

⚠ ADVERTENCIA

- Si la cadena en movimiento topa con un objeto duro y se detiene bruscamente, el cortarramas sufre repentinamente un fuerte tirón que la aparta del usuario. Las personas pueden sufrir lesiones.
 - ▶ Sujetar el cortarramas con ambas manos.
 - ▶ Trabajar tal y como se especifica en este manual de instrucciones.
 - ▶ Trabajar con la cubierta protectora montada.
 - ▶ Trabajar con una cubierta protectora que no esté defectuosa ni modificada.
 - ▶ Trabajar con la cadena de aserrado bien afilada y correctamente tensada.
 - ▶ Mantener recta la espada en el corte.

- ▶ Aplicar correctamente el tope.
- ▶ Trabajar a pleno gas.

4.9 Cargar

⚠ ADVERTENCIA

- Durante la carga, un cargador dañado o averiado puede oler o echar humo de forma no acostumbrada. Las personas pueden sufrir lesiones y se pueden producir daños materiales.
 - ▶ Retirar el enchufe de la red de la caja de enchufe.
- El cargador se puede sobrecalentar e incendiarse si la disipación de calor es insuficiente. Las personas pueden sufrir lesiones graves o mortales y se pueden producir daños materiales.
 - ▶ No cubrir el cargador.

4.10 Realizar las conexiones eléctricas

El contacto con componentes con corriente puede producirse por las siguientes causas:

- El cable de conexión o el resorte de brazos está dañado.
- El enchufe a la red del cable de conexión o del cable de prolongación está dañado.
- La caja de enchufe no está correctamente instalada.

⚠ PELIGRO

- El contacto con componentes conductores de corriente puede producir una descarga eléctrica. El usuario puede sufrir lesiones graves y mortales.

- ▶ Asegurarse de que el cable de conexión, el cable de prolongación y el enchufe a la red no estén dañados.



Si el cable de conexión o el cable de prolongación están dañados:

- ▶ No tocar los puntos dañados.
- ▶ Retirar el enchufe de la red de la caja de enchufe.
- ▶ Asir el cable de conexión, el cable de prolongación y su enchufe de red con las manos secas.
- ▶ Insertar el enchufe de red del cable de conexión o del cable de prolongación en una caja de enchufe instalada y asegurada correctamente con un contacto de protección.
- ▶ Conectar el cargador mediante un interruptor protector de corriente de fuga (30 mA, 30 ms).
- Un cable de prolongación dañado o no apropiado puede provocar una descarga eléctrica. Las personas pueden sufrir lesiones graves o mortales.
 - ▶ Emplear un cable de prolongación con la sección de cable correcta, 19.6.

⚠ ADVERTENCIA

- Durante la carga, una tensión de red o una frecuencia de red errónea puede originar sobretensión en el cargador. El cargador se puede dañar.

- ▶ Asegurarse de que la tensión y la frecuencia de la red eléctrica coincidan con las indicaciones que figuran en el rótulo de potencia del cargador.

- Un cable de conexión y un cable de prolongación mal tendidos se pueden dañar, pudiendo hacer, además, que las personas tropiecen con ellos. Las personas pueden sufrir lesiones y el cable de conexión o el cable de prolongación se pueden dañar.

- ▶ Tender el cable de conexión y el cable de prolongación y marcarlos para que las personas no puedan tropezarse.

- ▶ Tender el cable de conexión y el cable de prolongación de manera que no se tensen ni se enreden.

- ▶ Tender el cable de conexión y el cable de prolongación de manera que no se dañen, se doblen, se aplasten ni se rocen.

- ▶ Proteger el cable de conexión y el cable de prolongación del calor, el aceite y los productos químicos.

- ▶ Tender el cable de conexión y el de prolongación sobre una base seca.

- Durante el trabajo se calienta el cable de prolongación. Si el calor no puede disiparse, podrá provocar un incendio.
 - ▶ Si se emplea un tambor de cable, desenrollar por completo el cable del tambor.
- Si hay cables o conductos tendidos en la pared, se pueden dañar si el cargador está montado en la pared. El contacto con cables eléctricos puede producir una descarga eléctrica. Las personas pueden sufrir lesiones graves y se pueden producir daños materiales.
 - ▶ Asegurar que no pasen cables eléctricos ni tubos por el lugar previsto de la pared.
- En el caso que el cargador no esté montado en la pared tal como se especifica en este manual de instrucciones, el cargador o la batería pueden caerse o se puede calentar demasiado el cargador. Las personas pueden sufrir lesiones y se pueden producir daños materiales.
 - ▶ Montar el cargador en una pared tal y como se especifica en este manual de instrucciones.
- En el caso de montar el cargador con batería incluida en una pared, la batería puede caerse del cargador. Las personas pueden sufrir lesiones y se pueden producir daños materiales.
 - ▶ Montar primero el cargador en la pared y colocar luego la batería.

4.11 Transporte

4.11.1 Cortarramas

⚠ ADVERTENCIA

- Durante el transporte, el cortarramas puede volcarse o moverse. Las personas pueden sufrir lesiones y se pueden producir daños materiales.



- ▶ Sacar la batería.

- ▶ Montar el protector de cadena sobre la espada de manera que la cubra por completo.
- ▶ Transportar el cortarramas en la bolsa suministrada.

- ▶ Si el volumen de suministro no contiene una bolsa, asegurar el cortarramas con cinturones tensores, correas o una red, de manera que no pueda volcar ni moverse.

4.11.2 Batería

⚠ ADVERTENCIA

- La batería no está protegida contra todas las influencias ambientales. Si la batería está expuesta a determinadas influencias ambientales, puede dañarse y se pueden producir daños materiales.
 - ▶ No transportar una batería dañada.
 - ▶ Transportar la batería en la bolsa suministrada.
 - ▶ Si el volumen de suministro no contiene una bolsa, transportar la batería en un embalaje no conductor de electricidad.
- Durante el transporte, la batería puede volcarse o moverse. Las personas pueden sufrir lesiones y se pueden producir daños materiales.
 - ▶ Empaquetar la batería en el embalaje de manera que no pueda moverse.
 - ▶ Asegurar el embalaje de manera que no pueda moverse.

4.11.3 Cargador

⚠ ADVERTENCIA

- Durante el transporte, el cargador puede volcarse y moverse. Las personas pueden sufrir lesiones y se pueden producir daños materiales.
 - ▶ Retirar el enchufe de red de la caja de enchufe.
 - ▶ Sacar la batería.
 - ▶ Transportar la batería en la bolsa suministrada.
 - ▶ Si el volumen de suministro no contiene una bolsa, asegurar el cargador con cinturones tensores, correas o una red, de manera que no pueda volcar ni moverse.

- El cable de conexión no está diseñado para transportar el cargador con él. El cable de conexión y el cargador se pueden dañar.
 - ▶ Enrollar el cable de conexión y fijarlo en el cargador.

4.12 Almacenamiento

4.12.1 Cortarramas

⚠ ADVERTENCIA

- Los niños no pueden identificar ni calcular los peligros del cortarramas. Los niños pueden sufrir lesiones graves.



- ▶ Sacar la batería.

- ▶ Montar el protector de cadena sobre la espada de manera que la cubra por completo.
- ▶ Guardar el cortarramas fuera del alcance de los niños.

- Los contactos eléctricos del cortarramas y los componentes metálicos se pueden corroer por la humedad. El cortarramas se puede dañar.



- ▶ Sacar la batería.

- ▶ Guardar el cortarramas limpio y seco.

4.12.2 Batería

⚠ ADVERTENCIA

- Los niños no pueden identificar ni calcular los peligros de la batería. Los niños pueden sufrir lesiones graves.
 - ▶ Guardar la batería fuera del alcance de los niños.
- La batería no está protegida contra todas las influencias ambientales. Si la batería está expuesta a determinadas influencias ambientales, puede dañarse.
 - ▶ Guardar la batería limpia y seca.
 - ▶ Guardar la batería en un espacio cerrado.
 - ▶ Guardar la batería separada del cargador.
 - ▶ Guardar la batería en un embalaje no conductor de electricidad.
 - ▶ Guardar la batería en un margen de temperatura de entre - 20 °C y + 70 °C.

4.12.3 Cargador

⚠ ADVERTENCIA

- Los niños no pueden identificar ni calcular los peligros del cargador. Los niños pueden sufrir lesiones graves o mortales.
 - ▶ Sacar la batería.
 - ▶ Guardar el cargador fuera del alcance de los niños.
- El cargador no está protegido contra todas las influencias ambientales. Si el cargador está expuesto a determinadas influencias ambientales, este puede dañarse.
 - ▶ Sacar la batería.
 - ▶ Si el cargador está caliente, dejar que se enfríe.
 - ▶ Guardar el cargador limpio y seco.
 - ▶ Guardar el cargador en un espacio cerrado.
 - ▶ Guardar el cargador en un margen de temperatura de entre - 20 °C y + 70 °C.

- El cable de conexión no está diseñado para transportar o enganchar el cargador con él. El cable de conexión y el cargador se pueden dañar.
 - ▶ Asir el cargador por la caja y sujetarlo. En el cargador existe una cavidad de agarre para levantarlo con facilidad.
 - ▶ Enganchar el cargador en el soporte de pared.

4.13 Limpieza, mantenimiento y reparación

⚠ ADVERTENCIA

- Si durante la limpieza, el mantenimiento o la reparación la batería está colocada, el cortarramas se puede conectar de forma accidental. Las personas pueden sufrir lesiones graves y se pueden producir daños materiales.



- ▶ Sacar la batería.

- Los detergentes agresivos, la limpieza con chorro de agua o los objetos puntiagudos pueden dañar el cortarramas, la espada, la cadena de aserrado, la batería y el cargador. En el caso de que no se limpien correctamente el cortarramas, la espada, la cadena de aserrado, la batería o el cargador, pueden dejar de funcionar correctamente los componentes y desactivarse los dispositivos de seguridad. Las personas pueden sufrir lesiones graves.
 - ▶ Limpiar el cortarramas, la espada, la cadena de aserrado, la batería y el cargador tal y como se especifica en este manual de instrucciones.
- En el caso de que no se realice correctamente el mantenimiento o la reparación del cortarramas, la espada, la cadena de aserrado, la batería y el cargador, pueden dejar de funcionar correctamente los

componentes y desactivarse los dispositivos de seguridad. Las personas pueden sufrir lesiones graves o mortales.


- ▶ No realizar el mantenimiento y la reparación del cortarramas, la batería y el cargador uno mismo.
- ▶ En el caso de que haya que realizar el mantenimiento o reparación del cortarramas, la batería o el cargador, acudir a un distribuidor especializado STIHL.
- ▶ Mantener la espada y la cadena de aserrado o repararlas tal y como se especifica en el manual de instrucciones.
- Durante la limpieza o el mantenimiento de la cadena de aserrado, el usuario se puede cortar con los filos de los dientes afilados. El usuario puede lesionarse.
 - ▶ Utilizar guantes de trabajo de material resistente.

5 Preparar el cortarramas para el trabajo

5.1 Preparar el cortarramas para el trabajo

Antes de comenzar el trabajo, se han de realizar siempre los siguientes pasos:

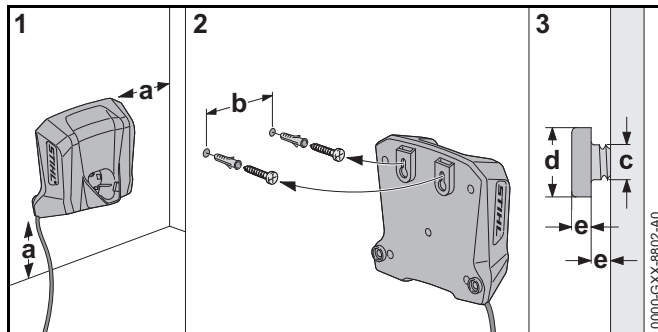
- ▶ Asegurarse de que los siguientes componentes se encuentren en un estado que permita trabajar con seguridad:
 - Cortarramas, 4.6.1.
 - Espada, 4.6.2.
 - Cadena de aserrado, 4.6.3.
 - Batería, 4.6.4.
 - Cargador, 4.6.5.
- ▶ Comprobar la batería, 10.6.
- ▶ Cargar por completo la batería, 6.2.
- ▶ Limpiar el cortarramas, 15.1.
- ▶ Montar la espada y la cadena de aserrado, 7.1.1.
- ▶ Tensar la cadena de aserrado, 7.2.
- ▶ Lubricar la cadena de aserrado, 7.3.

- ▶ Comprobar los elementos de mando,  10.5.
 - ▶ Si durante la comprobación de los elementos de mando parpadean en rojo 3 LED, sacar la batería y acudir a un distribuidor especializado STIHL. El cortarramas presenta una anomalía.
- ▶ Si no se pueden realizar estos pasos, no utilizar el cortarramas y acudir a un distribuidor especializado STIHL.

6 Cargar el acumulador y LEDs

6.1 Montar el cargador en una pared

El cargador se puede montar en una pared.



- ▶ Montar el cargador en una pared de manera que se cumplan las siguientes condiciones:

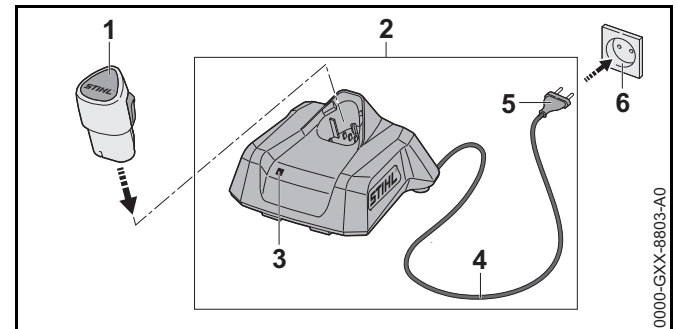
- Emplear un material de fijación apropiado.
- El cargador debe estar horizontal.
- Se han de observar las siguientes medidas:
 - a = como mínimo 100 mm
 - b = 54 mm
 - c = 4,5 mm
 - d = 9 mm
 - e = 2,5 mm

6.2 Cargar la batería

El tiempo de carga depende de distintos factores, p. ej. de la temperatura de la batería o de la temperatura ambiente. El tiempo de carga efectivo puede diferir del indicado. Los tiempos de carga figuran en www.stihl.com/charging-times.

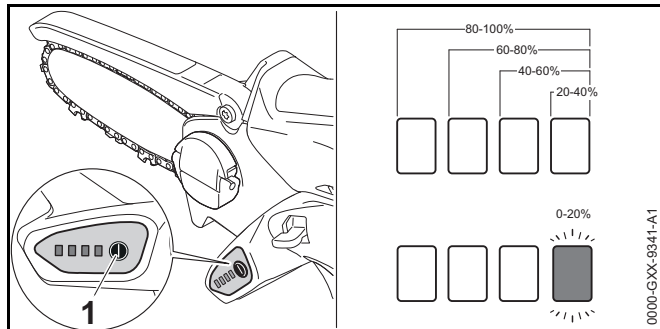
Cuando el enchufe de red está insertado en una caja de enchufe y la batería se coloca en el cargador, el proceso de carga se inicia automáticamente. Cuando la batería está completamente cargada, el cargador se desconecta automáticamente.

Durante la carga, la batería y el cargador se calientan.



- ▶ Insertar el enchufe de la red (5) en una caja de enchufe (6) de fácil acceso. El cargador (2) realiza un autotest. El LED (3) se ilumina durante aprox. 1 segundo en verde, y aprox. 1 segundo, en rojo.
- ▶ Tender el cable de conexión (4).
- ▶ Colocar la batería (1) en las guías del cargador (2) y oprimirla hasta el tope. El LED (3) se ilumina en verde o parpadea en rojo. La batería (2) se está cargando.
- ▶ Si los LEDs (3) ya no se iluminan, la batería (1) está completamente cargada y se puede sacar del cargador (2).
- ▶ Si ya no se utiliza el cargador (2), retirar el enchufe de la red (5) de la caja de enchufe (6).

6.3 Visualizar el estado de carga



- ▶ Colocar la batería.
- ▶ Pulsar la tecla (1).
- ▶ Los LED lucen en verde durante unos 5 segundos e indican el estado de carga.
- ▶ Si el LED derecho parpadea en verde, cargar la batería.

6.4 LED del cortarramas

Los LED pueden indicar el estado de carga de la batería o averías. Los LED pueden iluminarse permanentemente o parpadear en verde o en rojo.

Si los LED lucen permanentemente o parpadean en verde, se indica el estado de carga.

- ▶ Si los LED lucen o parpadean en rojo, solucionar las anomalías, 18. El cortarramas o la batería presentan una anomalía.

6.5 LED del cargador

El LED indica el estado del cargador o las anomalías. El LED puede iluminarse o parpadear en verde o en rojo.

Si el LED se ilumina o parpadea en verde, la batería se está cargando.

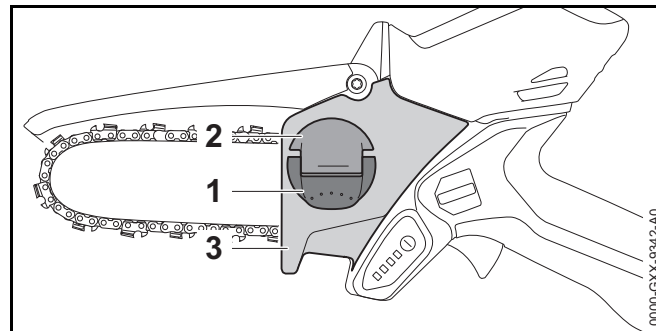
- ▶ Si el LED se ilumina o parpadea en rojo, solucionar las anomalías, 18. En el cargador o en la batería hay una anomalía.

7 Ensamblar el cortarramas

7.1 Desmontar y montar la espada y la cadena de aserrado

7.1.1 Desmontar la espada y la cadena de aserrado

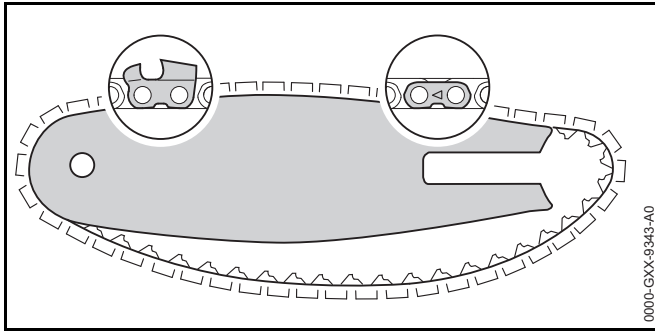
- ▶ Desconectar el cortarramas y sacar la batería.



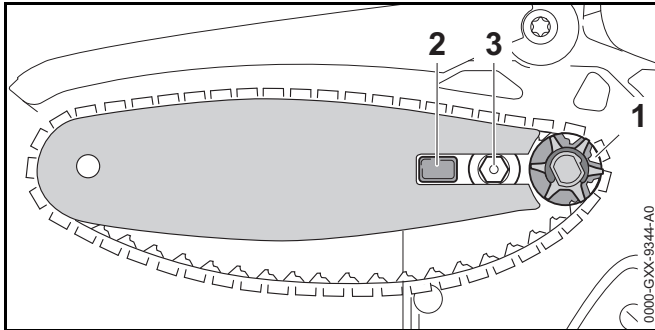
- ▶ Abrir la empuñadura (1) de la tuerca de aletas (2).
- ▶ Girar la tuerca de aletas (2) en sentido antihorario hasta que se pueda quitar la tapa del piñón de cadena (3).
- ▶ Quitar la tapa del piñón de cadena (3).
- ▶ Quitar la espada y la cadena de aserrado.

7.1.2 Montar la espada y la cadena de aserrado

Las combinaciones de espada y cadena de aserrado que son aptas para el piñón de cadena y que se pueden montar figuran en los datos técnicos, 20.1.



- ▶ Colocar la cadena de aserrado en las ranuras de la espada de manera que las flechas existentes en los eslabones de unión de la cadena estén orientadas en el lado superior en el sentido de funcionamiento.



- ▶ Asentar la espada y la cadena de aserrado en la motosierra en el cortarramas de manera que se cumplan las siguientes condiciones:
 - Los eslabones impulsores de la cadena de aserrado están asentados en los dientes del piñón de cadena (1).
 - El pivote (2) se encuentra en el orificio oblongo de la espada.
 - El tornillo con collar (3) se encuentra en el orificio oblongo de la espada.

La orientación de la espada no es determinante. El rótulo de la espada también puede estar invertido.

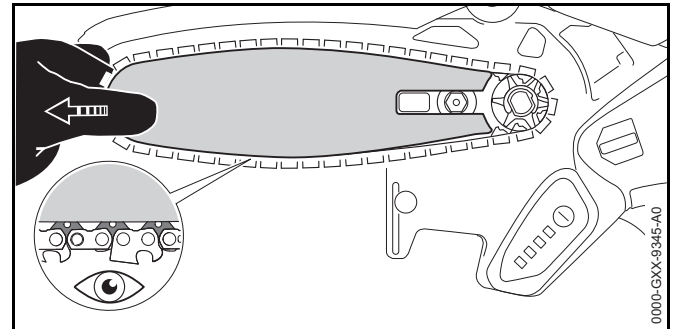
- ▶ Tensar la cadena de aserrado.
- ▶ Aplicar la tapa del piñón de cadena al cortarramas de modo que quede enrasada con dicho cortador.

- ▶ Girar la tuerca de aletas en sentido horario hasta que la tapa del piñón de cadena esté asentada firmemente en el cortarramas.
- ▶ Plegar la empuñadura de la tuerca de aletas.

7.2 Tensar la cadena de aserrado

Durante el trabajo, la cadena de aserrado se dilata o se contrae. La tensión de la cadena de aserrado varía. Durante el trabajo se ha de comprobar periódicamente la tensión de la cadena de aserrado y se ha de retensar.

- ▶ Desconectar el cortarramas y sacar la batería.



- ▶ Abrir la empuñadura de la tuerca de aletas.
- ▶ Girar la tuerca de aletas 2 vueltas en sentido antihorario. La tuerca de aletas está suelta.



ADVERTENCIA

Los dientes de corte de la cadena de aserrado están afilados. El usuario puede cortarse.

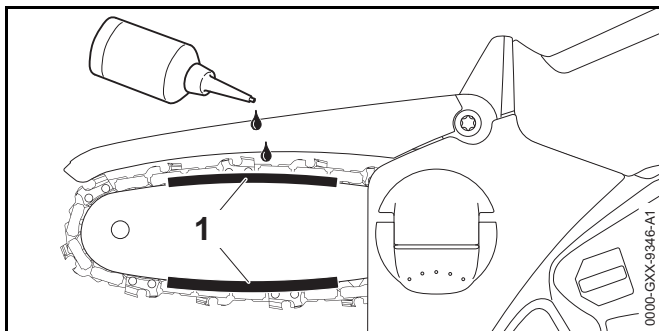
- ▶ Utilizar guantes de trabajo de material resistente.
- ▶ Mover la espada hacia la izquierda o la derecha hasta que se cumplan estas condiciones:
 - Los eslabones impulsores de la cadena de aserrado todavía se ven hasta la mitad en la parte inferior de la espada.
- ▶ Girar la tuerca de aletas en sentido horario hasta que la tapa del piñón de cadena esté asentada firmemente en el cortarramas.

- ▶ Si la cadena de aserrado se puede mover aún sobre la espada tirando de ella con dos dedos y apenas un poco de fuerza, la cadena de aserrado está tensada correctamente.
- ▶ Si los eslabones impulsores de la cadena de aserrado son completamente visibles en la parte inferior de la espada, volver a tensar la cadena.
- ▶ Plegar la empuñadura de la tuerca de aletas.

7.3 Lubricar la cadena de aserrado

El aceite multifunciones Multioil Bio STIHL o un aceite multifuncional equiparable y biodegradable lubrica y refrigera la cadena de aserrado en movimiento.

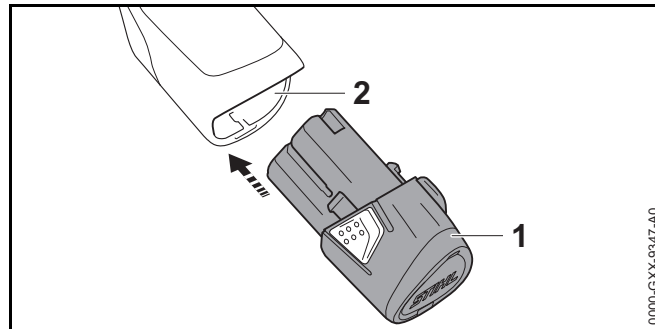
- ▶ Desconectar el cortarramas y sacar la batería.
- ▶ Poner el cortarramas sobre una superficie llana de manera que la tapa del piñón de cadena esté orientada hacia arriba.
- ▶ Limpiar la espada y la cadena de aserrado con un pincel, un cepillo blando o con disolvente de resina STIHL.



- ▶ Aplicar el aceite multifuncional a la zona (1) entre la espada y la cadena de aserrado.
- ▶ Colocar la batería.
- ▶ Conectar el cortarramas.
El aceite multifuncional se distribuye por la cadena de aserrado. La cadena de aserrado está engrasada.

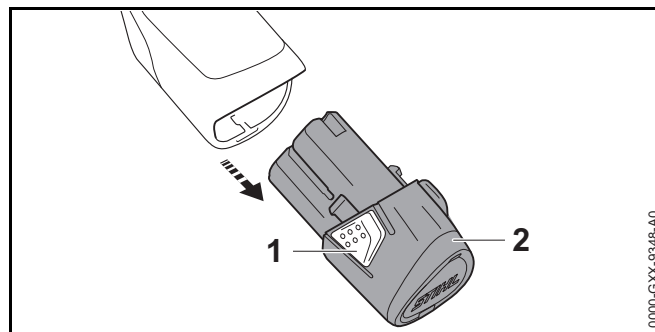
8 Colocar y sacar el acumulador

8.1 Colocar la batería



- ▶ Oprimir la batería (1) en su cavidad (2) hasta el tope. La batería (1) encaja con un clic.

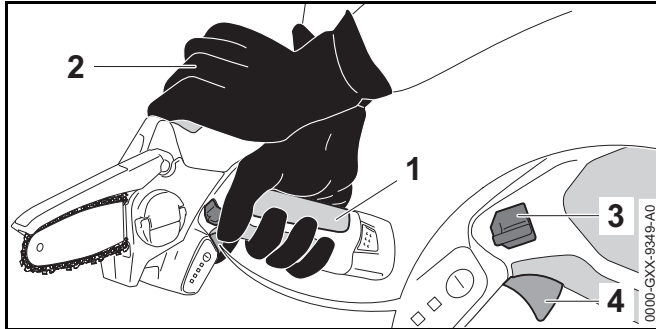
8.2 Sacar la batería



- ▶ Oprimir ambos ganchos de sujeción (1). La batería (2) está desenclavada y se puede sacar.

9 Conectar y desconectar el cortarramas

9.1 Conectar el cortarramas



- ▶ Sujetar el cortarramas por la zona de agarre (1) de la empuñadura de mando con una mano, de manera que el dedo pulgar abrace dicha empuñadura.
- ▶ Sujetar el cortarramas por el punto de agarre (2) y guiarlo con la otra mano.
- ▶ Oprimir la palanca de bloqueo (3) con el pulgar y mantenerla oprimida.
- ▶ Presionar la palanca de mando (4) con el dedo índice y mantenerla presionada.
El cortarramas acelera y la cadena se mueve. La palanca de bloqueo (3) se puede soltar.

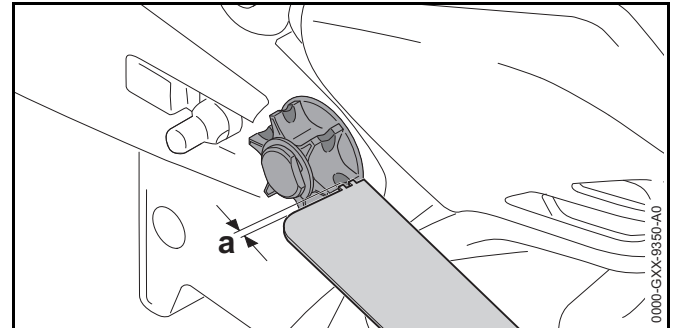
9.2 Desconectar el cortarramas

- ▶ Soltar la palanca de mando.
La cadena de aserrado ya no se mueve.
- ▶ Si la cadena de aserrado se sigue moviendo, sacar la batería y acudir a un distribuidor especializado STIHL.
El cortarramas está averiado.

10 Comprobar el cortarramas y la batería

10.1 Comprobar el piñón de cadena

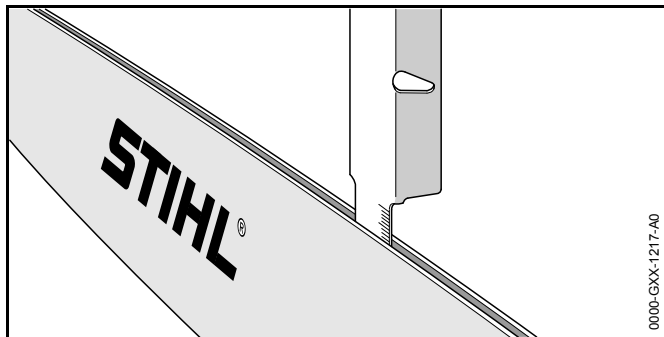
- ▶ Desconectar el cortarramas y sacar la batería.
- ▶ Desmontar la tapa del piñón de cadena.
- ▶ Desmontar la espada y la cadena de aserrado.



- ▶ Comprobar las huellas de rodadura del piñón de cadena con un calibre STIHL.
- ▶ Si las huellas de rodadura superan una profundidad de $a = 0,5 \text{ mm}$: no utilizar el cortarramas y acudir a un distribuidor especializado STIHL.
El piñón de cadena se debe sustituir.

10.2 Comprobar la espada

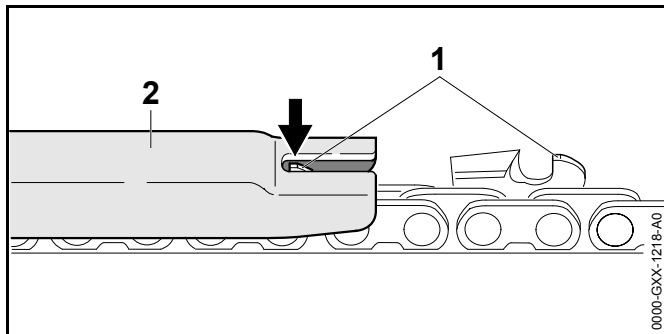
- ▶ Desconectar el cortarramas y sacar la batería.
- ▶ Desmontar la cadena de aserrado y la espada.



- ▶ Medir la profundidad de la ranura de la espada con el medidor de la plantilla de limado STIHL.
- ▶ Sustituir la espada si se cumple una de las siguientes condiciones:
 - La espada está dañada.
 - La profundidad de ranura medida es inferior a la profundidad mínima de la espada, 19.3.
 - La ranura de la espada está estrechada o ensanchada.
- ▶ En caso de dudas, acudir a un distribuidor especializado STIHL.

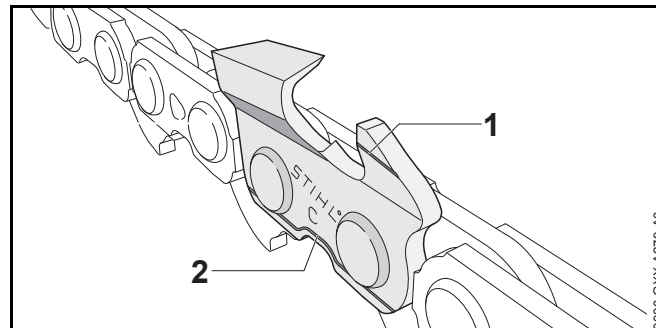
10.3 Comprobar la cadena de aserrado

- ▶ Desconectar el cortarramas y sacar la batería.



- ▶ Medir la altura de los limitadores de profundidad (1) con una plantilla de limado STIHL (2). La plantilla de limado STIHL tiene que ajustarse al paso de la cadena de aserrado.

- ▶ En el caso de que un limitador de profundidad (1) sobresalga de la plantilla de limado (2), reafilarse el limitador de profundidad (1), 16.1.



- ▶ Comprobar si son visibles las marcas de desgaste (1 y 2) en los dientes de corte.
- ▶ En el caso de que no se pueda ver una de las marcas de desgaste en un diente de corte, no utilizar la cadena de aserrado y acudir a un distribuidor especializado STIHL.
- ▶ Comprobar el ángulo de afilado de los dientes de corte de 30° con una plantilla de limado STIHL. La plantilla de limado STIHL tiene que ajustarse al paso de la cadena de aserrado.
- ▶ Si no se ha observado el ángulo de afilado de 30, afilar la cadena de aserrado.
- ▶ En caso de dudas, acudir a un distribuidor especializado STIHL.

10.4 Examinar la cubierta protectora

- ▶ Sacar la batería.

ADVERTENCIA

Los dientes de corte de la cadena de aserrado están afilados. El usuario puede cortarse.

- ▶ Utilizar guantes de trabajo de material resistente.
- ▶ Plegar hacia arriba la cubierta protectora y soltarla. La cubierta protectora vuelve a la posición inicial.

- ▶ Si la cubierta protectora se mueve con dificultad y no vuelve por sí misma a la posición inicial, no utilizar el cortarramas y acudir a un distribuidor especializado STIHL.
La cubierta protectora está dañada.

10.5 Comprobar los elementos de mando

Palanca de bloqueo y palanca de mando

- ▶ Sacar la batería.
- ▶ Intentar presionar la palanca de mando sin presionar la palanca de bloqueo.
- ▶ Si se puede presionar la palanca de mando, acudir a un distribuidor especializado STIHL.
La palanca de bloqueo está averiada.
- ▶ Oprimir la palanca de bloqueo y mantenerla oprimida.
- ▶ Presionar la palanca de mando y volver a soltarla.
- ▶ Si la palanca de mando se mueve con dificultad o no vuelve por sí misma a la posición de salida, no utilizar el cortarramas y acudir a un distribuidor especializado STIHL.
La palanca de mando está averiada.

Conectar el cortarramas

- ▶ Colocar la batería.
- ▶ Oprimir la palanca de bloqueo y mantenerla oprimida.
- ▶ Presionar la palanca de mando y mantenerla presionada.
La cadena de aserrado se mueve.
- ▶ Si parpadean 3 LED en rojo, sacar la batería y acudir a un distribuidor especializado STIHL.
El cortarramas presenta una anomalía.
- ▶ Soltar la palanca de mando.
La cadena de aserrado ya no se mueve.
- ▶ Si la cadena de aserrado se sigue moviendo, sacar la batería y acudir a un distribuidor especializado STIHL.
El cortarramas está averiado.

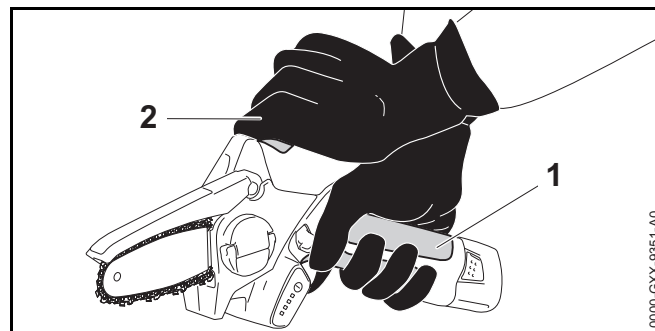
10.6 Comprobar la batería

- ▶ Colocar la batería.

- ▶ Pulsar la tecla del cortarramas.
Los LED lucen o parpadean.
- ▶ Si los LED no lucen o parpadean, no utilizar el cortarramas ni la batería y acudir a un distribuidor especializado STIHL.
El cortarramas o la batería presentan una anomalía.

11 Trabajar con el cortarramas

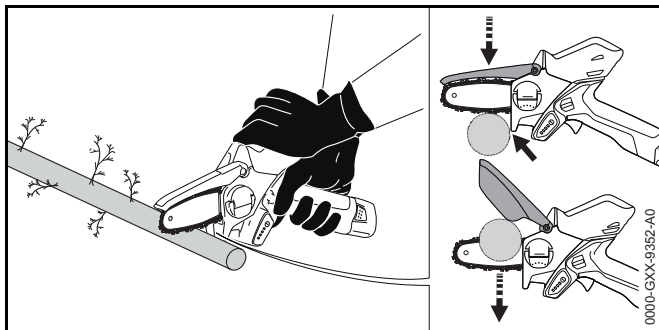
11.1 Sujeción y manejo del cortarramas



- ▶ Sujetar el cortarramas por la zona de agarre (1) de la empuñadura de mando con una mano y guiarlo de manera que el dedo pulgar abrace dicha empuñadura.
- ▶ Sujetar el cortarramas por el punto de agarre (2) y guiarlo con la otra mano.

11.2 Cortar

- ▶ Llevar la espada a pleno gas al corte.



- ▶ Aplicar el tope y utilizarlo como punto de giro.
- ▶ Guiar la espada por completo por la madera.
- ▶ Al finalizar el corte, sujetar el peso del cortarramas.
- ▶ Cortar las ramas por separado.

12 Después del trabajo

12.1 Después del trabajo

- ▶ Desconectar el cortarramas y sacar la batería.
- ▶ Si está mojado el cortarramas, dejarlo secar.
- ▶ Si la batería está mojada, dejarla secar.
- ▶ Limpiar el cortarramas.
- ▶ Limpiar la espada y la cadena de aserrado.
- ▶ Montar el protector de cadena sobre la espada de manera que la cubra por completo.
- ▶ Limpiar la batería.

13 Transporte

13.1 Transportar el cortamatorrales

- ▶ Desconectar el cortamatorrales y sacar la batería.
- ▶ Montar el protector de cadena sobre la espada de manera que la cubra por completo.

Llevar el cortamatorrales

- ▶ Llevar el cortamatorrales por la empuñadura de mando con una mano de manera que la espada esté orientada hacia abajo.

Transportar el cortamatorrales en un vehículo

- ▶ Transportar el cortamatorrales en la bolsa suministrada.
- ▶ Asegurar la bolsa de manera que esta no pueda volcar ni moverse.
- ▶ Si el volumen de suministro no contiene una bolsa, asegurar el cortamatorrales de manera que este no pueda volcar ni moverse.

13.2 Transportar la batería

- ▶ Desconectar el cortarramas y sacar la batería.
- ▶ Asegurarse de que la batería se encuentre en un estado que permita trabajar con seguridad.
- ▶ Embalar la batería en la bolsa suministrada.
- ▶ Si el volumen de suministro no contiene bolsa, embalar la batería de manera que se cumplan las siguientes condiciones:
 - El embalaje no es conductor de electricidad.
 - La batería no se puede mover en el embalaje.
- ▶ Asegurar el embalaje de manera que no pueda moverse.

La batería está sujeta a los requisitos del transporte de mercancías peligrosas. La batería está clasificada como ONU 3480 (baterías de iones de litio) y se ha comprobado según el manual de comprobaciones y criterios ONU, parte III, capítulo 38.3.

Las disposiciones de transporte se indican en www.stihl.com/safety-data-sheets.

13.3 Transportar el cargador

- ▶ Retirar el enchufe de red de la caja de enchufe.
- ▶ Sacar la batería.
- ▶ Enrollar el cable de conexión y fijarlo en el cargador.
- ▶ Si el cargador se transporta en un vehículo:
 - ▶ Transportar la batería en la bolsa suministrada.

- ▶ Asegurar la bolsa de manera que esta no pueda volcar ni moverse.
- ▶ Si el volumen de suministro no contiene una bolsa, asegurar el cargador de manera que este no pueda volcar ni moverse.

14 Almacenamiento

14.1 Guardar el cortarramas

- ▶ Desconectar el cortarramas y sacar la batería.
- ▶ Montar el protector de cadena sobre la espada de manera que la cubra por completo.
- ▶ Guardar el cortarramas de manera que se cumplan las siguientes condiciones:
 - El cortarramas está fuera del alcance de los niños.
 - El cortarramas está limpio y seco.
 - La cadena de aserrado está engrasada.

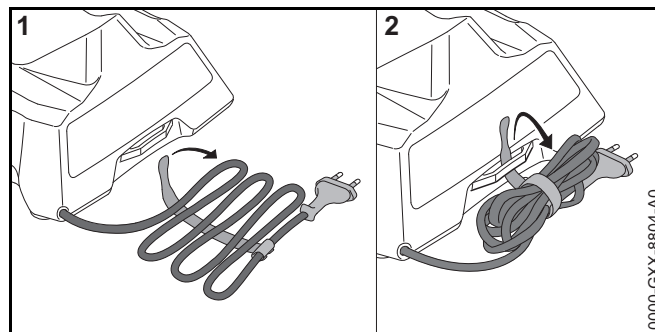
14.2 Guardar la batería

STIHL recomienda guardar la batería en un estado de carga de entre el 40 % y el 60 % (2 LED luciendo en verde).

- ▶ Guardar la batería de manera que se cumplan estas condiciones:
 - La batería está fuera del alcance de los niños.
 - La batería está limpia y seca.
 - La batería está en un espacio cerrado.
 - La batería está separada del cortarramas y el cargador.
 - La batería está en un embalaje no conductor de electricidad.
 - La batería está en un margen de temperatura de entre - 20 °C y + 60 °C.

14.3 Guardar el cargador

- ▶ Retirar el enchufe de red de la caja de enchufe.
- ▶ Sacar la batería.



- ▶ Enrollar el cable de conexión y fijarlo en el cargador.
- ▶ Guardar el cargador de manera que se cumplan las siguientes condiciones:
 - El cargador está fuera del alcance de los niños.
 - El cargador está limpio y seco.
 - El cargador está en una estancia cerrada.
 - El cargador está desconectado de la batería.
 - El cargador no está enganchado por el cable de conexión.
 - El cargador está en un rango de temperatura de entre - 20 °C y + 60 °C.

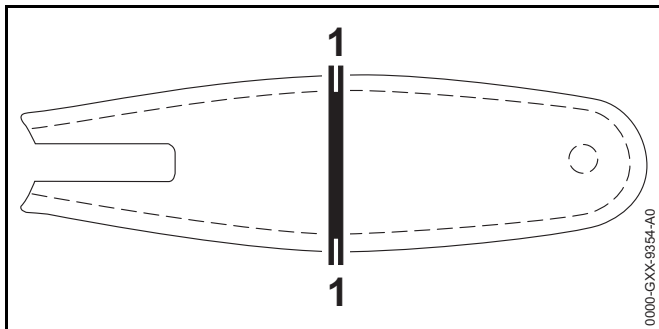
15 Limpiar

15.1 Limpiar el cortarramas

- ▶ Desconectar el cortarramas y sacar la batería.
- ▶ Limpiar el cortarramas con un paño húmedo o disolvente de resina STIHL.
- ▶ Desmontar la tapa del piñón de cadena.
- ▶ Limpiar la zona alrededor del piñón de cadena con un paño húmedo o disolvente de resina STIHL.
- ▶ Quitar los cuerpos extraños de la cavidad para la batería y limpiar dicha cavidad con un paño húmedo.
- ▶ Limpiar los contactos eléctricos en la cavidad para la batería con un pincel o con un cepillo blando.
- ▶ Montar la tapa del piñón de cadena.

15.2 Limpiar la espada y la cadena de aserrado

- ▶ Desconectar el cortarramas y sacar la batería.
- ▶ Desmontar la espada y la cadena de aserrado.



- ▶ Limpiar la ranura (1) con un pincel, un cepillo blando o con disolvente de resina STIHL.
- ▶ Limpiar la cadena de aserrado con un pincel, un cepillo blando o con disolvente de resina STIHL.
- ▶ Montar la espada y la cadena de aserrado.
- ▶ Lubricar la cadena de aserrado.

15.3 Limpiar el acumulador

- ▶ Limpiar el acumulador con un paño húmedo.

15.4 Limpiar el cargador

- ▶ Desenchufarlo de la caja de enchufe.
- ▶ Limpiar el cargador con un paño húmedo.
- ▶ Limpiar los contactos eléctricos del cargador con un pincel o con un cepillo blando.

16 Mantenimiento

16.1 Afilar la cadena de aserrado

Se requiere mucha experiencia para afilar correctamente las cadenas.

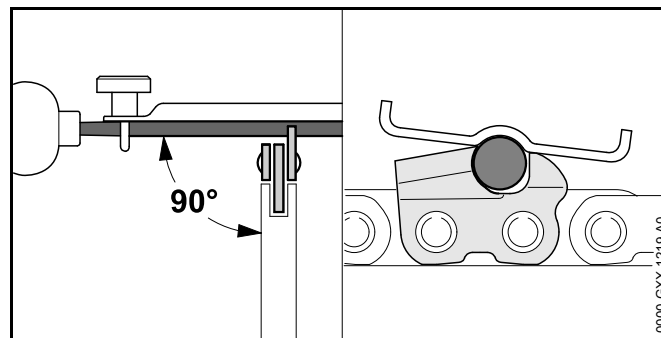
Las limas STIHL, los medios para limar STIHL, las afiladoras STIHL y el folleto "Afilado de cadenas STIHL" sirven de ayuda para afilar correctamente la cadena. El folleto está disponible en www.stihl.com/sharpening-brochure.

STIHL recomienda encargar el afilado de cadenas a un distribuidor especializado.

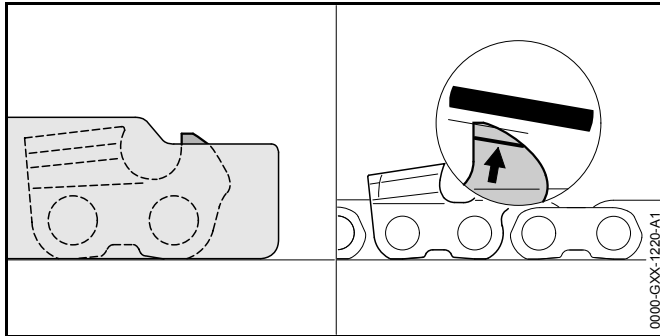
ADVERTENCIA

Los dientes de corte de la cadena están afilados. El usuario puede cortarse.

- ▶ Ponerse guantes de trabajo de material resistente.



- ▶ Limar cada uno de los dientes de corte con una lima redonda, de manera que se cumplan las condiciones siguientes:
 - La lima redonda tiene que ajustarse al paso de la cadena.
 - La lima redonda se conduce desde dentro hacia fuera.
 - La lima redonda se conduce en ángulo recto respecto de la espada.
 - Hay que respetar un ángulo de afilado de 30°.



- ▶ Limar el limitador de profundidad con una lima plana, de manera que se encuentre enrasado con la plantilla de limado STIHL y en paralelo con la marca de desgaste. La plantilla de limado STIHL tiene que ajustarse al paso de la cadena.
- ▶ En caso de dudas: acuda a un distribuidor especializado STIHL.

17 Reparación


17.1 Reparar el cortarramas, la batería y el cargador

El usuario no puede reparar por sí mismo el cortarramas, la espada, la cadena, la batería y el cargador.

- ▶ Si el cortarramas, la espada o la cadena están dañadas, no utilizar el cortarramas, la espada o la cadena y acudir a un distribuidor especializado STIHL.
- ▶ Si la batería está averiada o dañada, sustituirla.
- ▶ Si el cargador está averiado o dañado, sustituirlo.
- ▶ Si el cable de conexión está averiado o dañado, no utilizar el cargador y llevarlo a un distribuidor especializado para su sustitución.

18 Subsanan las perturbaciones

18.1 Solucionar las anomalías del cortarramas

Anomalía	LED del cortarramas	Causa	Remedio
El cortarramas no se pone en marcha al conectarlo.	1 LED parpadea en verde.	El estado de carga de la batería es insuficiente.	► Cargar la batería.
	1 LED se ilumina en rojo.	La batería está demasiado caliente o demasiado fría.	► Sacar la batería. ► Dejar enfriarse o calentarse la batería.
	3 LED parpadean en rojo.	El cortarramas presenta una anomalía.	► Sacar la batería. ► Limpiar los contactos eléctricos de la cavidad de la batería. ► Colocar la batería. ► Conectar el cortarramas. ► Si siguen parpadeando 3 LED en rojo, no utilizar el cortarramas y acudir a un distribuidor especializado STIHL.
	3 LED se iluminan en rojo.	El cortarramas está demasiado caliente.	► Sacar la batería. ► Dejar enfriar el cortarramas.
	4 LED parpadean en rojo.	La batería presenta una anomalía.	► Sacar la batería y volver a colocarla. ► Conectar el cortarramas. ► Si siguen parpadeando 4 LED en rojo, no utilizar la batería y acudir a un distribuidor especializado STIHL.
		La conexión eléctrica entre el cortarramas y la batería está interrumpida.	► Sacar la batería. ► Limpiar los contactos eléctricos de la cavidad de la batería. ► Colocar la batería.
		El cortarramas o la batería están húmedos.	► Dejar secarse el cortarramas o la batería.
		La cadena de aserrado está atascada.	► Sacar la batería. ► Limpiar el cortarramas,  15.1.
El cortarramas se desconecta durante el funcionamiento.	3 LED se iluminan en rojo.	El cortarramas está demasiado caliente.	► Sacar la batería. ► Dejar enfriar el cortarramas.

Anomalía	LED del cortarramas	Causa	Remedio
		Hay una avería eléctrica.	<ul style="list-style-type: none"> ▶ Sacar la batería y volver a colocarla. ▶ Conectar el cortarramas.
El rendimiento de corte del cortarramas disminuye.	1 LED parpadea en verde.	El estado de carga de la batería es insuficiente.	▶ Cargar la batería.
		La cadena de aserrado no está bien afilada.	▶ Afilar correctamente la cadena de aserrado.
		La cadena de aserrado está demasiado tensada.	▶ Tensar correctamente la cadena de aserrado.
		La lubricación de la cadena no es suficiente.	▶ Lubricar la cadena de aserrado.
El tiempo de funcionamiento del cortarramas es demasiado corto.		La batería no está completamente cargada.	▶ Cargar por completo la batería.
		Se ha sobrepasado la vida útil de la batería.	▶ Sustituir la batería.

18.2 Solucionar las anomalías del cargador

Anomalía	LED en el cargador	Causa	Remedio
No se está cargando la batería.	El LED se ilumina en rojo.	La batería está demasiado caliente o demasiado fría.	▶ Dejar colocada la batería en el cargador. El proceso de carga se inicia automáticamente en cuanto se ha alcanzado el margen de temperatura admisible.
	El LED parpadea en rojo.	La conexión eléctrica entre el cargador y la batería está interrumpida.	<ul style="list-style-type: none"> ▶ Sacar la batería. ▶ Limpiar los contactos eléctricos del cargador. ▶ Colocar la batería.

Anomalía	LED en el cargador	Causa	Remedio
El cargador realiza un autotest.	El LED no se ilumina durante aprox. 1 segundo en verde, y aprox. 1 segundo, en rojo.	El cargador presenta una anomalía.	▶ No utilizar el cargador y acudir a un distribuidor especializado STIHL.
		La batería presenta una anomalía.	▶ No utilizar la batería y acudir a un distribuidor especializado STIHL.
		La conexión eléctrica entre el cargador y la batería se ha interrumpido brevemente.	▶ Retirar el enchufe de red de la caja de enchufe. ▶ Esperar 1 minuto. ▶ Insertar el enchufe en la caja de enchufe.

19 Datos técnicos

19.1 Cortarramas STIHL GTA 26

- Batería admisible: STIHL AS
- Peso sin batería, con espada y cadena de aserrado: 1,2 kg

El tiempo de funcionamiento se indica en www.stihl.com/battery-life.

19.2 Piñones de cadena

También se pueden emplear los siguientes piñones de cadena:

- de 6 dientes para 1/4" P

19.3 Profundidad mínima de ranura de las espadas

La profundidad mínima de la ranura depende del paso de la espada.

- 1/4" P: 4 mm

19.4 Batería STIHL AS

- Tecnología de acumulador: iones de litio
- Tensión: 10,8 V
- Capacidad en Ah: véase el rótulo de potencia
- Contenido de energía en Wh: véase el rótulo de potencia
- Peso en kg: véase el rótulo de potencia
- Margen de temperatura admisible para usarlo y guardarlo: - 20 °C hasta + 50 °C

Si se utiliza la batería a una temperatura inferior a 0 °C o a una temperatura superior a + 30 °C, se puede acortar la autonomía del acumulador y se puede reducir la potencia del cortarramas.

19.5 Cargador STIHL AL 1

- Tensión nominal: véase el rótulo de potencia
- Frecuencia: véase el rótulo de potencia
- Potencia nominal: véase el rótulo de potencia
- Corriente de carga: véase el rótulo de potencia
- Rango de temperatura admisible para usarlo y guardarlo: - 20 °C y + 50 °C
- Contenido de energía máximo de la batería homologada STIHL AS: 12,5 Ah

Los tiempos de carga figuran en www.stihl.com/charging-times.

En el caso de utilizar el cargador a una temperatura inferior a + 5 °C o a una temperatura superior a + 30 °C, los tiempos de carga pueden variar.

19.6 Cables de prolongación

Cuando se utiliza un cable de prolongación, los hilos del cable, independientemente de la tensión y la longitud del cable de prolongación, tienen que tener al menos las siguientes secciones:

Si la tensión nominal en el rótulo de potencia es de 220 V hasta 240 V:

- Longitud de cable hasta 20 m: AWG 15/1,5 mm²
- Longitud de cable 20 m hasta 50 m: AWG 13/2,5 mm²

Si la tensión nominal en el rótulo de potencia es de 100 V hasta 127 V:

- Longitud de cable hasta 10 m: AWG 14/2,0 mm²
- Longitud de cable 10 m hasta 30 m: AWG 12/3,5 mm²

19.7 Valores de sonido y vibración

El valor K para el nivel de intensidad acústica es de 2 dB(A).
El valor K para el nivel de potencia acústica es de 2 dB(A).
El valor K para los valores de vibraciones es de 2 m/s².

STIHL recomienda utilizar protectores de los oídos.

- Nivel de intensidad acústica L_{pA} medido según EN 60745-2-13: 77 dB(A)
- Nivel de potencia acústica L_{WA} medido según EN 60745-2-13: 86 dB(A)
- Valor de vibraciones a_{hv} medido según EN 60745-2-13:
 - Empuñadura de mando: 2,8 m/s²
 - Punto de agarre: 2,9 m/s.

Los valores de vibraciones indicados han sido medidos conforme a un método de ensayo normalizado y pueden consultarse para realizar un proceso de comprobación entre equipos eléctricos. Los valores de vibraciones realmente efectivos pueden diferir de los valores indicados en función del tipo de la aplicación. Los valores de vibraciones indicados pueden utilizarse para efectuar una primera evaluación de la carga vibratoria. La carga vibratoria real debe evaluarse. Para ello también pueden tomarse en consideración los tiempos en los que el equipo eléctrico está apagado, y aquellos en los que, si bien está encendido, funciona sin carga.

Para información relativa al cumplimiento de la pauta de la patronal sobre vibraciones 2002/44/CE véase www.stihl.com/vib.

19.8 REACH

REACH designa una ordenanza CE para el registro, evaluación y homologación de productos químicos.

Para informaciones para cumplimentar la ordenanza REACH, véase www.stihl.com/reach .

20 Combinaciones de espadas y cadenas

20.1 Cortarramas STIHL GTA 26

Paso	Espesor del eslabón impulsor/ancho de ranura	Longitud	Espada	Número de dientes de la estrella de redireccionamiento	Cantidad de eslabones impulsores	Cadena de aserrado
1/4" P	1,1 mm	10 cm	Light	-	28	71 PM3 (modelo 3670)

La longitud de corte de una espada depende del cortarramas y la cadena de aserrado empleados. La longitud de corte efectiva de una espada puede ser menor que la longitud indicada.

21 Piezas de repuesto y accesorios

21.1 Piezas de repuesto y accesorios

STIHL Estos símbolos caracterizan las piezas de repuesto STIHL y los accesorios originales STIHL.

STIHL recomienda emplear piezas de repuesto STIHL y accesorios originales STIHL.

Las piezas de repuesto y los accesorios originales STIHL se pueden adquirir en un distribuidor especializado STIHL.

– Identificación de serie: GA01

corresponde a las prescripciones habituales de las directrices 2011/65/UE, 2006/42/CE, 2014/30/UE y 2000/14/CE y que se ha desarrollado y fabricado en cada caso conforme a las versiones válidas en la fecha de producción de las siguientes normas: EN 55014-1, EN 55014-2, EN 62841-1.

La comprobación de modelo CE, según la directriz 2006/42/CE, art. 12.3(b), se ha realizado en: VDE Prüf- u. Zertifizierungsinstitut (NB 0366), Merianstraße 28, 63069 Offenbach, Alemania

– Número de certificación: 40050017

Para determinar los niveles de potencia acústica medidos y garantizados, se ha procedido conforme a la directriz 2000/14/CE, anexo V.

– Nivel de potencia acústica medido: 88 dB(A)

– Nivel de potencia acústica garantizado: 90 dB(A)

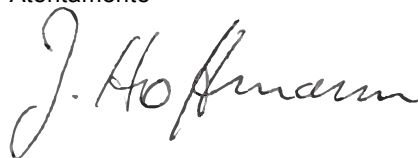
La documentación técnica está depositada en Produktzulassung ANDREAS STIHL AG & Co. KG.

El año de construcción, el país de fabricación y el número de máquina figuran en el cortamatorrales.

Waiblingen, 03-02-2020

ANDREAS STIHL AG & Co. KG

Atentamente



Dr. Jürgen Hoffmann, Director de datos de productos, normas y homologación

22 Gestión de residuos

22.1 Gestionar como residuos el cortarramas, la batería y el cargador.

El distribuidor especializado STIHL le proporcionará información relativa a la gestión de residuos.

- ▶ Gestionar el cortarramas, la espada, la cadena, la batería, el cargador, los accesorios y el embalaje según las normas y la ecología.

23 Declaración de conformidad UE

23.1 Cortamatorrales STIHL GTA 26

ANDREAS STIHL AG & Co. KG
Badstraße 115
D-71336 Waiblingen
Alemania

declara, como único responsable, que

- Tipo de construcción: Cortamatorrales de acumulador
- Marca: STIHL
- Modelo: GTA 26

23.2 Indicación de conformidad del cargador STIHL AL 1

Este cargador se ha fabricado y se ha puesto en circulación conforme a las siguientes directrices: 2014/35/UE, 2014/30/UE y 2011/65/UE.

El año de construcción, el país de fabricación y el número de máquina están indicados en el cargador.

La declaración de conformidad CE completa se puede adquirir en la empresa ANDREAS STIHL AG & Co. KG, Badstraße 115, 71336 Waiblingen, Alemania.

24 Indicaciones de seguridad generales para herramientas eléctricas

24.1 Introducción

Este capítulo reproduce las indicaciones generales de seguridad preformuladas en la norma EN/IEC 62841 para herramientas eléctricas de uso manual accionadas a motor.

STIHL tiene que imprimir estos textos.

Las indicaciones de seguridad para evitar una descarga eléctrica expuestas en "Indicaciones de seguridad eléctricas" no son aplicables a productos de acumulador STIHL.



ADVERTENCIA

Lea íntegramente las indicaciones de seguridad, las instrucciones, las ilustraciones y datos técnicos que se proveen con esta herramienta eléctrica. La inobservancia de las siguientes instrucciones pueden provocar una descarga eléctrica, un incendio y/o lesiones graves. **Guarde todas las indicaciones de seguridad y las instrucciones para futuras consultas.**

El término de "herramienta eléctrica" empleado en las indicaciones de seguridad se refiere a herramientas eléctricas de conexión a la red (con cable de red) o a herramientas eléctricas accionadas por acumulador (sin cable de red).

24.2 Seguridad en el lugar de trabajo

- a) **Mantenga su puesto de trabajo limpio y bien iluminado.** El desorden o la falta de iluminación en las áreas de trabajo pueden provocar accidentes.
- b) **No utilice la herramienta eléctrica en un entorno que albergue peligro de explosión, en el que se encuentren líquidos, gases o materiales en polvo combustibles.** Las herramientas eléctricas producen chispas que pueden encender los materiales en polvo o los vapores.
- c) **Mantenga alejados a los niños y otras personas mientras está utilizando la herramienta eléctrica.** En caso de distracción, puede perder el control sobre la máquina.

24.3 Seguridad eléctrica

- a) **El enchufe de la herramienta eléctrica debe ser compatible con la caja de enchufe. No es admisible modificar el enchufe en forma alguna. No emplear adaptadores de enchufe en combinación con herramientas eléctricas dotadas de una toma de tierra.** Los enchufes sin modificar y las cajas de enchufe apropiadas reducen el riesgo de una descarga eléctrica.
- b) **Evite que su cuerpo toque superficies conectadas a tierra, como tubos, radiadores de calefacción, cocinas y refrigeradores.** El riesgo a quedar expuesto a una descarga eléctrica es mayor si su cuerpo tiene contacto con tierra.
- c) **No exponga las herramientas eléctricas a la lluvia o la humedad.** El peligro de recibir una descarga eléctrica aumenta si penetra agua en la herramienta eléctrica.
- d) **No utilice el cable para fines ajenos al mismo, como para transportar la herramienta eléctrica, colgarla o tirar de él para desenchufar la máquina de la red. Mantenga el cable alejado del calor, aceite, aristas afiladas o piezas móviles de la máquina.** Los cables dañados o enredados aumentan el riesgo de que se produzca una descarga eléctrica.
- e) **Al trabajar con la herramienta eléctrica a la intemperie, utilice solamente cables de prolongación que sean apropiados también para usarlos en el exterior.** La

utilización de un cable de prolongación apropiado para usarlo en el exterior reduce el riesgo de que se produzca una descarga eléctrica.

- f) **Si fuese inevitable utilizar la herramienta eléctrica en un entorno húmedo, deberá emplear un interruptor de corriente de defecto.** La aplicación de un interruptor de corriente de defecto reduce el riesgo de que se produzca una descarga eléctrica.

24.4 Seguridad de personas

- a) **Esté atento a lo que hace y trabaje con prudencia al emplear una herramienta eléctrica. No utilice ninguna herramienta eléctrica si estuviese cansado o si se encuentra bajo el efecto de drogas, alcohol o medicamentos.** Una simple distracción momentánea durante el uso de la herramienta eléctrica puede provocarle serias lesiones.
- b) **Utilice un equipo de protección personal y póngase siempre unas gafas protectoras.** El riesgo a lesionarse se reduce considerablemente si, dependiendo del tipo y la aplicación de la herramienta eléctrica empleada, se utiliza un equipo de protección adecuado, como una mascarilla antipolvo, zapatos de seguridad con suela antideslizante, casco, o protectores para los oídos.
- c) **Evite una puesta en marcha fortuita. Asegurarse de que la herramienta eléctrica esté desconectada antes de conectarla a la toma de corriente y/o al acumulador, al recogerla o al transportarla.** Si al transportar la herramienta eléctrica lleva el dedo puesto en el interruptor, o si enchufa la máquina en la toma de corriente con la herramienta eléctrica conectada, ello puede provocar accidentes.
- d) **Retire las herramientas de ajuste o la llave de boca antes de conectar la herramienta eléctrica.** Una herramienta de ajuste o llave fija colocada en una pieza en rotación de la máquina puede producir lesiones.
- e) **Evite adoptar posturas arriesgadas. Adopte una postura segura y mantenga el equilibrio en todo momento.** Ello le permitirá controlar mejor la herramienta eléctrica en caso de presentarse situaciones inesperadas.

- f) **Lleve puesta una ropa de trabajo apropiada. No se ponga ropa holgada ni artículos de joyería. Mantenga el pelo y la ropa alejados de piezas que estén en movimiento.** La ropa holgada, los artículos de joyería y el pelo largo pueden ser enganchados por las piezas en movimiento.
- g) **Siempre que sea posible montar equipos de aspiración o recogida de polvo, montarlos y utilizados correctamente.** El empleo de estos equipos de aspiración reduce los riesgos derivados del polvo.
- h) **No se vaya a creer demasiado seguro ni menosprecie las reglas de seguridad para herramientas eléctricas, aun cuando esté familiarizado con estas por haberlas utilizado con mucha frecuencia.** Actuar sin poner atención puede provocar graves lesiones en el lapso de fracciones de segundos.

24.5 Uso y trato de la herramienta eléctrica

- a) **No sobrecargue la máquina. Use la herramienta eléctrica prevista para el trabajo a realizar.** Con la herramienta adecuada podrá trabajar mejor y más seguro dentro del margen de potencia indicado.
- b) **No utilice herramientas eléctricas cuyo interruptor esté defectuoso.** Las herramientas eléctricas que ya no se puedan conectar o desconectar son peligrosas y deben repararse.
- c) **Quite el enchufe de la red y/o saque el acumulador antes de realizar ajustes en la herramienta eléctrica, cambiar accesorios de trabajo o guardar la herramienta eléctrica.** Esta medida preventiva reduce el riesgo de que arranque accidentalmente la herramienta eléctrica.
- d) **Guarde fuera del alcance de los niños las herramientas eléctricas que no utilice. No permita la utilización de la máquina a aquellas personas que no estén familiarizadas con su uso o que no hayan leído estas instrucciones.** Las herramientas eléctricas utilizadas por personas inexpertas son peligrosas.
- e) **Cuide las herramientas eléctricas y la de trabajo con esmero. Controle si las piezas móviles funcionan correctamente y sin atascarse y si existen piezas rotas o tan deterioradas que pudieran afectar al funcionamiento**

de la herramienta eléctrica. Encargue la reparación de piezas defectuosas antes de volver a utilizar la herramienta eléctrica. Muchos de los accidentes se deben a herramientas eléctricas con un mantenimiento deficiente.

- f) **Mantenga las herramientas de corte afiladas y limpias.** Las herramientas con aristas de corte afiladas que están cuidadas correctamente se atascan menos y se manejan mejor.
- g) **Utilice la herramienta eléctrica, la herramienta de trabajo, las herramientas de trabajo, etc. con arreglo a estas instrucciones. Al hacerlo, tenga en cuenta las condiciones de trabajo y la actividad a realizar.** El uso de herramientas eléctricas para trabajos diferentes de aquellos para los que han sido concebidas puede originar situaciones peligrosas.
- h) **Mantenga las empuñaduras y las superficies de agarre secas, limpias y libres de aceite y grasa.** Las empuñaduras y superficies de agarre resbaladizas no permiten un manejo seguro ni el control de la herramienta eléctrica en situaciones imprevistas.

24.6 Uso y trato de la herramienta de acumulador

- a) **Cargue los acumuladores únicamente con los cargadores recomendados por el fabricante.** Existe riesgo de incendio del cargador, si se intenta cargar acumuladores de un tipo diferente al previsto para dicho cargador.
- b) **Emplee únicamente los acumuladores previstos en cada caso para las herramientas eléctricas.** El uso de otro tipo de acumuladores puede provocar lesiones y el riesgo de incendio.
- c) **Si no utiliza el acumulador, guárdelo separado de clips, monedas, llaves, clavos, tornillos o demás objetos metálicos que pudieran puentear sus contactos.** El cortocircuito de los contactos del acumulador pueden causar quemaduras o un incendio.
- d) **La utilización inadecuada del acumulador puede provocar fugas de líquido del mismo. Evite el contacto con dicho líquido. En caso de un contacto casual, enjuagar el área afectada con agua. En caso de contacto con los ojos,**

acuda además inmediatamente a un médico. El líquido que sale del acumulador puede irritar la piel o producir quemaduras en la misma.

- e) **No utilice ningún acumulador que esté dañado o modificado.** Los acumuladores que estén dañados o modificados se pueden comportar imprevisiblemente y encenderse, explotar o provocar otros peligros.
- f) **No exponga un acumulador al fuego o temperaturas demasiado elevadas.** El fuego o temperaturas superiores a 130 °C (265 °F) pueden provocar una explosión.
- g) **Observe todas las instrucciones para realizar la carga y no cargue nunca el acumulador o la herramienta de acumulador fuera del margen de temperatura indicado en el manual de instrucciones.** La carga errónea o realizar la carga fuera del margen de temperatura admitido puede destruir el acumulador y aumentar el peligro de incendio.

24.7 Servicio Técnico

- a) **Encargue la reparación de su herramienta eléctrica a un profesional cualificado, empleando exclusivamente piezas de repuesto originales.** Solamente de este modo se mantendrá la seguridad de la herramienta eléctrica.
- b) **No realizar nunca el mantenimiento de un acumulador que esté dañado.** Cualquier mantenimiento de acumuladores solo es asunto del fabricante o de puntos de postventa provistos de los correspondientes poderes.

Innehållsförteckning

1	Förord	73	7.3	Smörj sågkedjan	89
2	Information bruksanvisningen	73	8	Sätt in och ta ut batteriet	89
2.1	Aktuella dokument	73	8.1	Sätt i batteriet	89
2.2	Varningar i texten	74	8.2	Ta ur batteriet	90
2.3	Symboler i texten	74	9	Sätt på och stäng av motorlien	90
3	Översikt	74	9.1	Koppla på motorlien	90
3.1	Motorlie, batteri och laddare	74	9.2	Stäng av motorlien	90
3.2	Symboler	75	10	Kontrollera motorlie och batteri	90
4	Säkerhetsanvisningar	76	10.1	Kontrollera kedjedrevet	90
4.1	Varningssymboler	76	10.2	Kontrollera svärdet	90
4.2	Avsedd användning	76	10.3	Kontrollera sågkedjan	91
4.3	Krav på användaren	77	10.4	Kontrollera skyddskåpan	91
4.4	Klädsel och utrustning	77	10.5	Kontrollera manöverdonen	92
4.5	Arbetsområde och omgivning	78	10.6	Kontrollera batteriet	92
4.6	Säker användning	79	11	Arbeta med motorlien	92
4.7	Arbete	81	11.1	Håll och styr motorlien	92
4.8	Reaktionskrafter	82	11.2	Klippning	92
4.9	Ladda	83	12	Efter arbetet	93
4.10	Elanslutning	83	12.1	Efter arbetet	93
4.11	Transport	84	13	Transport	93
4.12	Förvaring	85	13.1	Transportera grenkapen	93
4.13	Rengöring, underhåll och reparation	85	13.2	Transportera batteriet	93
5	Gör motorlien redo att använda	86	13.3	Transportera laddaren	93
5.1	Gör motorlien redo att använda	86	14	Förvaring	93
6	Ladda batteriet och lampor	86	14.1	Förvara motorlien	93
6.1	Montera laddaren på väggen	86	14.2	Förvara batteriet	93
6.2	Ladda batteriet	87	14.3	Förvara laddaren	94
6.3	Visa laddningsnivån	87	15	Rengöring	94
6.4	LED-lampor på motorlien	87	15.1	Rengör motorlien	94
6.5	Lampa på laddaren	87	15.2	Rengör svärdet och sågkedjan	94
7	Montera ihop motorlien	88	15.3	Rengör batteriet	94
7.1	Demontera och montera svärdet och sågkedjan	88	15.4	Rengör laddaren	94
7.2	Spänn sågkedjan	88	16	Underhåll	95

Denna skötselansvisning är upphovsrättsskyddad. Alla rättigheter förbehålls, i synnerhet rätten till duplicering, översättning och bearbetning med elektroniska system.

16.1 Slipa sågkedjan	95
17 Reparera	95
17.1 Reparera motorlie, batteri och laddare	95
18 Felavhjälpning	96
18.1 Åtgärda fel på motorlien eller batteriet	96
18.2 Åtgärda fel på laddaren	97
19 Tekniska data	98
19.1 Motorlie STIHL GTA 26	98
19.2 Kedjehjul	98
19.3 Min. spårdjup för svärd	98
19.4 Batteri STIHL AS	98
19.5 Laddare STIHL AL 1	98
19.6 Förlängningskablar	98
19.7 Buller- och vibrationsvärden	98
19.8 REACH	99
20 Kombinationer av svärd och sågkedjor	100
20.1 Motorlie STIHL GTA 26	100
21 Reservdelar och tillbehör	101
21.1 Reservdelar och tillbehör	101
22 Kassering	101
22.1 Kassera motorlie, batteri och laddare	101
23 EU-försäkran om överensstämmelse	101
23.1 Grenkap STIHL GTA 26	101
23.2 Information om EG-överensstämmelse för laddaren STIHL AL 1	101
24 Allmänna säkerhetsanvisningar för elverktyg	102
24.1 Inledning	102
24.2 Säkerhet på arbetsplatsen	102
24.3 Elektrisk säkerhet	102
24.4 Personsäkerhet	102
24.5 Användning och hantering av elektriska verktyg	103
24.6 Användning och hantering av batteridrivna verktyg	103
24.7 Service	104

1 Förord

Hej!

Tack för att du valt en produkt från STIHL. Vi utvecklar och tillverkar produkter av mycket hög kvalitet som uppfyller våra kunders behov. Därför är våra produkter mycket säkra även när de belastas mycket.

STIHL ger även en förstklassig service. Hos våra återförsäljare får du kompetent rådgivning och instruktioner samt tekniska råd.

Vi uppskattar ditt förtroende för oss och önskar dig lycka till med din STIHL-produkt.



Dr Nikolas Stihl

VIKTIGT! LÄS BRUKSANVISNINGEN INNAN DU ANVÄNDER PRODUKTEN OCH SPARA DEN.

2 Information bruksanvisningen

2.1 Aktuella dokument

Följ de lokala säkerhetsföreskrifterna.

- ▶ Läs följande kompletterande dokument till den här bruksanvisningen, se till att du förstått dem och spara dem:
 - Information om multifunktionsolja STIHL Multioil Bio: www.stihl.com/safety-data-sheets
 - Säkerhetsföreskrifterna för batterier och produkter med inbyggda batterier från STIHL: www.stihl.com/safety-data-sheets

2.2 Varningar i texten

! FARA

Varnar för faror som leder till allvarliga skador eller dödsfall.

- Med åtgärderna kan man förhindra allvarliga skador eller dödsfall.

! VARNING

Varnar för faror som **kan** leda till allvarliga skador eller dödsfall.

- Med åtgärderna kan man förhindra allvarliga skador eller dödsfall.

OBS!

Varnar för faror som kan leda till materialskador.

- Med åtgärderna kan man förhindra materialskador.

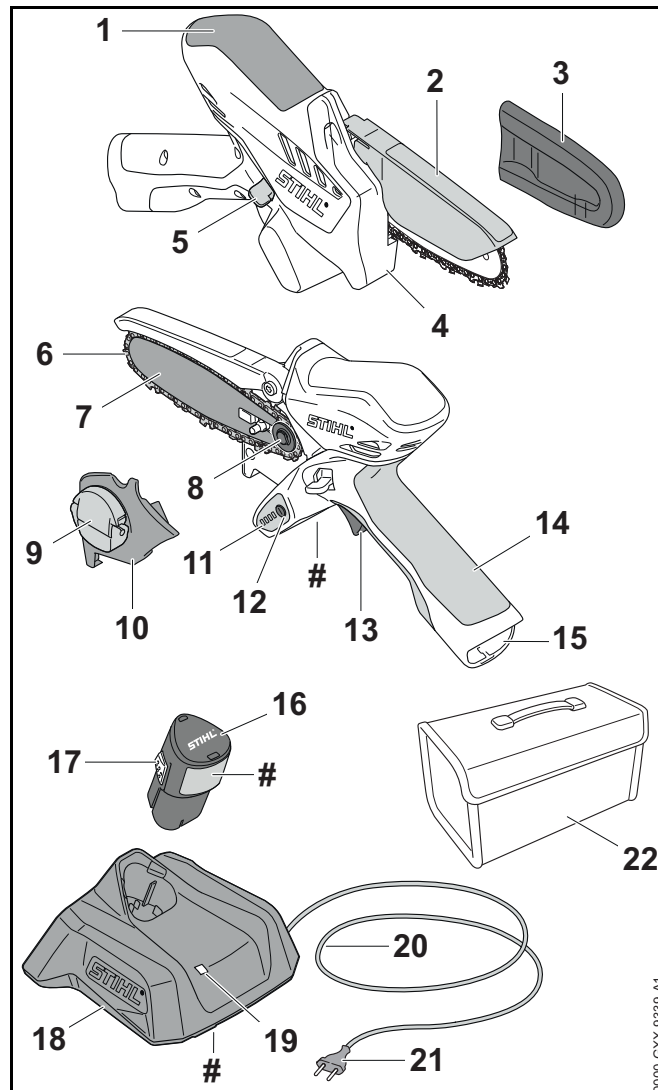
2.3 Symboler i texten



Denna symbol hänvisar till ett kapitel i denna bruksanvisning.

3 Översikt

3.1 Motorlie, batteri och laddare



1 Greppställe

Greppstället är till för att hålla och styra maskinlien.

2 Skyddskåpa

Skyddskåpan skyddar mot kontakt med sågkedjan.

3 Kedjeskydd

Kedjeskyddet skyddar mot kontakt med sågkedjan.

4 Anslag

Anslag stöttar maskinlien mot träet under arbetet.

5 Spärrarm

Spärrarmen låser upp strömbrytaren.

6 Sågkedja

Sågkedjan sågar träet.

7 Svärd

Svärdet styr sågkedjan.

8 Kedjedrev

Kedjedrevet driver sågkedjan.

9 Vingmutter

Vingmuttern fäster kedjedrevets lock på motorlien.

10 Kedjedrevets lock

Kedjedrevets lock täcker kedjedrevet och fäster svärdet på maskinlien.

11 LED-lampor

LED-lamporna indikerar batteriets laddning och fel.

12 Tryckknapp

Tryckknappen aktiverar LED-lamporna på maskinlien.

13 Strömbrytare

Strömbrytaren sätter på och stänger av maskinlien.

14 Manöverhandtag

Manöverhandtaget används för att manövrera, hålla och styra maskinlien.

15 Batterifack

Batteriet sitter i batterifacket.

16 Batteri

Batteriet försörjer motorlien med kraft.

17 Spärrhake

Spärrhaken håller fast batteriet i batterifacket.

18 Laddare

Batteriet laddas i laddaren.

19 LED-lampa

LED-lampan visar laddarens status.

20 Anslutningskabel

Anslutningskabeln förbinder laddaren till kontakten.

21 Kontakt

Kontakten förbinder anslutningskabeln till eluttaget

22 Väska

Väska används för att transportera och förvara motorlien, batteriet och laddaren. Väskan ingår bara i leveransomfånget för setet (bestående av motorlie, batteri och laddare).

Typskylt med serienummer**3.2 Symboler**

Symbolerna på motorlien, batteriet och laddaren har följande innebörd:



Den här symbolen anger sågkedjans löpriktning.



Lampan lyser eller blinkar grönt. Batteriet laddas.




LED-lampan blinkar rött. Det finns ingen elektrisk kontakt mellan batteriet och laddaren eller det finns ett fel på batteriet eller laddaren.





Max tillåten svärds längd.




Garanterad ljudeffektnivå enligt direktiv 2000/14/EG i dB(A) för att jämföra buller från produkter.

 Informationen bredvid symbolen anger batteriets energiinnehåll enligt batteritillverkarens specifikation. Energiinnehållet som finns under användningen är lägre.

 Använd den elektriska utrustningen i ett stängt och torrt rum.


 Släng inte produkten i hushållsavfallet.


 Läs bruksanvisningen, se till att du har förstått den och spara den.


4 Säkerhetsanvisningar


4.1 Varningssymboler

Varningssymbolerna på grenkapen, batteriet eller laddaren har följande innebörd:

 Följ säkerhetsföreskrifterna och vidta rätt åtgärder.

 Läs bruksanvisningen, se till att du har förstått den och spara den.

 Använd skyddsglasögon.

 Håll i grenkapen med båda händerna.



Vidrör inte en sågkedja i rörelse.



Ta ur batteriet under arbetspauser, transport, förvaring, underhåll och reparation.



Skydda grenkapen och laddaren mot regn och fukt.



Skydda batteriet mot värme och eld.



Skydda batteriet mot regn och fukt och sänk inte ned det i någon vätska.

4.2 Avsedd användning

Motorlien STIHL GTA 26 är till för att skära i trä.

Motorlien får inte användas när det regnar.

Batteriet STIHL AS försörjer motorlien med kraft.

Laddaren STIHL AL 1 används för att ladda batteriet STIHL AS.

▲ VARNING

- Batterier och laddare som inte är godkända av STIHL för motorlien kan orsaka brand och explosion. Det kan leda till allvarliga personskador eller dödsfall och materiella skador.
 - ▶ Använd motorlien med ett uppladdningsbart batteri STIHL AS.
 - ▶ Ladda batteriet STIHL AS med laddaren STIHL AL 1.
- Om motorlien, batteriet eller laddaren inte används på avsett sätt kan det leda till allvarliga personskador, dödsfall eller materialskador.
 - ▶ Använd motorlien, batteriet och laddaren enligt anvisningarna i den här bruksanvisningen.

4.3 Krav på användaren

▲ VARNING

- Användare som inte utbildats förstår inte eller kan inte bedöma farorna med motorlien, batteriet och laddaren. Användaren eller andra personer kan skadas allvarligt eller förolyckas.



- ▶ Läs bruksanvisningen, se till att du har förstått den och spara den.

- ▶ Om motorlien, batteriet eller laddaren överlämnas till någon annan, ska bruksanvisningen medfölja.
- ▶ Kontrollera att användaren uppfyller följande krav:
 - Användaren är utbildad.
 - Användaren är i skick, både fysiskt, motoriskt och mentalt, att arbeta med och använda motorlien, batteriet och laddaren. Om användaren är begränsad

fysiskt, motoriskt eller mentalt får denne bara arbeta under uppsikt av en ansvarig person.

- Användaren förstår och kan bedöma riskerna med motorlien, batteriet och laddaren.
- Användaren är myndig eller utbildad i ett arbete i enlighet med nationella bestämmelser under tillsyn.
- Användaren har instruerats av en STIHL-återförsäljare eller en sakkunnig person innan denne använder motorlien och laddaren för första gången.
- Användaren är inte påverkad av alkohol, läkemedel eller droger.
- ▶ Om något är oklart: Kontakta en STIHL-återförsäljare.

4.4 Klädsel och utrustning

▲ VARNING

- Under arbetet kan långt hår dras in i grenkapen. Det kan leda till att användaren skadas allvarligt.
 - ▶ Sätt upp långt hår och se till att det inte når nedanför axlarna.
- Föremål kan slungas iväg med hög hastighet under arbetet. Användaren kan skadas.



- ▶ Använd tätt sittande skyddsglasögon. Skyddsglasögonen ska vara kontrollerade enligt EN 166 eller nationella bestämmelser och vara korrekt märkta när de säljs.
- ▶ Använd långbyxor.

- Föremål som faller ner kan orsaka huvudskador.
 - ▶ Om föremål kan falla ner under arbetet ska skyddshjälm användas.
- Damm kan virvla upp under arbetet. Damm som andas in kan skada hälsan och utlösa allergiska reaktioner.
 - ▶ Om damm virvlar upp ska en skyddsmask användas.
- Olämpliga kläder kan fastna i trä, buskage och i grenkapen. Användaren kan skadas allvarligt om olämpliga kläder används.
 - ▶ Använd tätt sittande kläder.
 - ▶ Ta av sjalar och smycken.
- Under arbetet kan användaren skära sig på träet. Under rengöring eller underhåll kan användaren komma i kontakt med sågkedjan. Användaren kan skadas.
 - ▶ Använd arbetshandskar av slitstarkt material.
- Användaren kan halka om olämpliga skor används. Användaren kan skadas.
 - ▶ Använd stabila, heltäckande skor med halksäker sula.

4.5 Arbetsområde och omgivning

4.5.1 Motorlie

VARNING

- Utomstående personer, barn och djur kan inte förstå och bedöma farorna med motorlien och föremål som slungas iväg. Utomstående personer, barn och djur kan skadas allvarligt och materialskador kan uppstå.
 - ▶ Utomstående personer, barn och djur måste hållas på avstånd från arbetsområdet.
 - ▶ Lämna inte motorlien utan uppsikt.
 - ▶ Se till att barn inte kan leka med motorlien.
- Motorlien är inte vattentät. Om man arbetar när det regnar eller i fuktig miljö kan det leda till en elektrisk stöt. Användaren kan skadas och motorlien kan gå sönder.



- ▶ Arbeta inte i regn eller i fuktiga miljöer.

- Elektriska komponenter på motorlien kan orsaka gnistor. Gnistorna kan orsaka brand eller explosion i brandfarlig eller explosiv miljö. Det kan leda till allvarliga personskador eller dödsfall och materiella skador.
 - ▶ Använd inte maskinen i brandfarlig eller explosiv miljö.

4.5.2 Batteri

VARNING

- Utomstående personer, barn och djur förstår inte och kan inte bedöma farorna med batteriet. Utomstående personer, barn och djur kan skadas allvarligt.
 - ▶ Utomstående personer, barn och djur måste hållas på avstånd.
 - ▶ Lämna inte batteriet utan uppsikt.
 - ▶ Se till att barn inte kan leka med batteriet.
- Batteriet är inte skyddat mot all påverkan från omgivningen. Batteriet kan börja brinna eller explodera om det utsätts för viss påverkan från omgivningen. Det kan leda till allvarliga personskador och materiella skador kan uppstå.



- ▶ Skydda batteriet mot värme och eld.
- ▶ Kasta inte in batteriet i eld.

- ▶ Använd och förvara batteriet mellan - 20 °C och 50 °C.



- ▶ Skydda batteriet mot regn och fukt och doppa det inte i vätska.

- ▶ Låt inte batteriet komma i kontakt med metallföremål.
- ▶ Utsätt inte batteriet för högt tryck.
- ▶ Utsätt inte batteriet för mikrovågor.

- ▶ Skydda batteriet mot kemikalier och salter.

4.5.3 Laddare

! VARNING

- Utomstående personer och barn förstår inte och kan inte bedöma farorna med laddaren och elektrisk ström. Utomstående personer, barn och djur kan skadas allvarligt eller dödas.
 - ▶ Utomstående personer, barn och djur måste hållas på avstånd.
- ▶ **Se till att barn inte kommer åt att leka med laddaren.**
- Laddaren är inte vattenskyddad. Om man arbetar när det regnar eller i fuktig miljö kan det leda till en elektrisk stöt. Användaren kan skadas och laddaren kan gå sönder.



- ▶ Får inte användas i regn eller fuktig miljö.

- Laddaren är inte skyddad mot påverkan från omgivningen. Laddaren kan börja brinna eller explodera om den utsätts för viss påverkan från omgivningen. Det kan leda till allvarliga personskador och materiella skador kan uppstå.
 - ▶ Förvara laddaren i ett stängt och torrt rum.
 - ▶ Använd inte laddaren i brandfarlig eller explosiv miljö.
 - ▶ Ställ inte laddaren på ett brandfarligt underlag.
 - ▶ Använd och förvara laddaren mellan - 20 °C och + 50 °C.
- Man kan snubbla på anslutningskabeln. Personer kan skadas och laddaren kan gå sönder.
 - ▶ Se till att anslutningskabeln ligger plant på golvet.

4.6 Säker användning

4.6.1 Grenkap

Grenkapen är säkra att använda när följande villkor har uppfyllts:

- Grenkapen är oskadad.
- Grenkapen är ren och torr.
- Skyddskåpan är monterad.
- Skyddskåpan är oskadad och oförändrad.
- Manöverdonen fungerar och är oförändrade.
- Sågkedjan är smord.
- Slitagespårerna på kedjedrevet är inte djupare än 0,5 mm.
- En kombination av svärd och sågkedja som anges i den här bruksanvisningen är monterad.
- Svärdet och sågkedjan är korrekt monterade.
- Sågkedjan är korrekt spänd.
- Endast originaltillbehör från STIHL används på grenkapen.
- Tillbehören är korrekt monterade.


! VARNING

- Vid icke-säker användning fungerar eventuellt inte komponenterna och säkerhetsanordningarna korrekt. Personer kan skadas allvarligt eller förolyckas.
 - ▶ Använd inte grenkapen om den är trasig.
 - ▶ Om grenkapen är nedsmutsad eller våt: rengör grenkapen och låt torka.
 - ▶ Förändra inte grenkapen. Undantag: Montering av en kombination av svärd och sågkedja som anges i den här bruksanvisningen.
 - ▶ Använd endast grenkapen med monterad skyddskåpa.
 - ▶ Om skyddskåpan är skadad eller förändrad: arbeta inte med grenkapen.
 - ▶ Om manöverdonen inte fungerar: arbeta inte med grenkapen.

- ▶ Montera endast originaltillbehör från STIHL på den här grenkapen.
- ▶ Montera svärdet och sågkedjan enligt anvisningarna i den här bruksanvisningen.
- ▶ Montera tillbehören enligt anvisningarna i den här bruksanvisningen eller enligt tillbehörets bruksanvisning.
- ▶ Stick inte in föremål i hålen på grenkapen.
- ▶ Byt ut slitna eller skadade skyltar.
- ▶ Om något är oklart: Kontakta en STIHL-återförsäljare.

4.6.2 Svärd

Svärdet är säkert att använda när följande villkor är uppfyllda:

- Svärdet är oskadat.
- Svärdet är inte deformerat.
- Spåret är lika djupt eller djupare än min. spår djup,  19.3.
- Spåret har inte förträngningar eller har inte vidgats.

VARNING

- I ett osäkert tillstånd kan svärdet inte längre styra sågkedjan korrekt. Sågkedjan kan hoppa av svärdet. Personer kan skadas allvarligt eller förolyckas.
 - ▶ Använd inte svärdet om det är trasigt.
 - ▶ Om spår djupet är mindre än min. spår djup: byt ut svärdet.
 - ▶ Om något är oklart: Kontakta en STIHL-återförsäljare.

4.6.3 Sågkedja

Sågkedjan är säker att använda när följande uppfylls:

- Sågkedjan är oskadad.
- Sågkedjan är korrekt slipad.
- Slitagemarkeringarna syns på tänderna.

VARNING

- Vid icke-säker användning fungerar eventuellt inte komponenterna och säkerhetsanordningarna korrekt. Personer kan skadas allvarligt eller förolyckas.
 - ▶ Använd inte sågkedjan om den är trasig.
 - ▶ Slipa sågkedjan korrekt.
 - ▶ Om något är oklart: Kontakta en STIHL-återförsäljare.

4.6.4 Batteri

Batteriet är i säkert bruksskick när följande villkor uppfylls:

- Batteriet är oskadat.
- Batteriet är rent och torrt.
- Batteriet fungerar och är inte deformerat.

VARNING

- Om batteriet inte är i säkert bruksskick fungerar batteriet inte längre säkert. Detta kan orsaka allvarliga personskador.
 - ▶ Arbeta med ett oskadat och fungerande batteri.
 - ▶ Ladda inte ett skadat eller defekt batteri.
 - ▶ Om batteriet är smutsigt eller vått: gör rent batteriet och låt det torka.
 - ▶ Modifiera inte batteriet.
 - ▶ Stick inte in några föremål i batteriets öppningar.
 - ▶ Se till att batteriets elkontakter inte kopplas ihop och kortsluts med föremål av metall.
 - ▶ Öppna inte batteriet.
 - ▶ Byt ut utslitna eller skadade informationsskyltar.

- Vätska kan rinna ut ur ett skadat batteri. Batterivätska som kommer i kontakt med hud eller ögon kan orsaka irritation.
 - ▶ Undvik kontakt med vätskan.
 - ▶ Om vätskan kommer i kontakt med huden: tvätta hudområdet omedelbart med rikliga mängder vatten och tvål.
 - ▶ Om vätskan kommer i kontakt med ögonen: spola ögonen med rikligt med vatten i minst 15 minuter och uppsök läkare.
- Ett skadat eller defekt batteri kan lukta speciellt, ryka eller börja brinna. Detta kan orsaka allvarliga personskador eller dödsfall och saksador.
 - ▶ Om batteriet luktar speciellt eller börja ryka: använd inte batteriet och håll det bort från brännbara material.
 - ▶ Om batteriet börjar brinna: försök att släcka batteriet med en brandsläckare eller vatten.

4.6.5 Laddare

Laddaren är säker att använda när följande villkor är uppfyllda:

- Laddaren är oskadad.
- Laddaren är ren och torr.

⚠ VARNING

- Vid icke-säker användning fungerar eventuellt inte komponenterna och säkerhetsanordningarna korrekt. Personer kan skadas allvarligt eller förolyckas.
 - ▶ Använd bara en oskadad laddare.
 - ▶ Om laddaren är smutsig eller blöt: Rengör laddaren och låt den torka.
 - ▶ Modifiera inte laddaren.
 - ▶ Stick inte in föremål i hålen på laddaren.
 - ▶ Låt inte de elektriska kontaktarna i laddaren komma i kontakt med metallföremål eftersom det kan leda till kortslutning.
 - ▶ Öppna inte laddaren.

4.7 Arbete

⚠ VARNING

- Om det inte finns någon inom hörhåll utanför arbetsområdet kan du inte få hjälp i nödfall.
 - ▶ Se till att det finns någon inom hörhåll utanför arbetsområdet.
- I vissa situationer kan det vara svårt att koncentrera sig. Användaren kan tappa kontrollen över motorlien, snubbla, falla och skadas svårt.
 - ▶ Arbeta lugnt och med eftertanke.
 - ▶ Om ljusförhållandena och sikten är dåliga: Arbeta inte med motorlien.
 - ▶ Använd motorlien ensam.
 - ▶ Arbeta inte över axelhöjd.
 - ▶ Var uppmärksam på hinder.
 - ▶ Stå på marken och ha god balans när du arbetar. Om du måste arbeta uppe i luften: Använd en lyftplattform eller en säker ställning.
 - ▶ Om du börjar bli trött: Ta en paus i arbetet.
- Användaren kan skära sig på den roterande sågkedjan. Det kan leda till allvarliga skador.
 - ▶ Vidrör inte sågkedjan när den roterar.
 - ▶ Om sågkedjan är blockerad av ett föremål: Stäng av motorlien och ta ur batteriet. Ta sedan bort föremålet.
- Den roterande sågkedjan blir varm och töjs. Om sågkedjan inte smörjs och spänns korrekt kan den hoppa av svärdet eller gå av. Det kan leda till allvarliga personskador och materiella skador kan uppstå.
 - ▶ Använd multifunktionsoljan STIHL MultiOil Bio eller ett jämförbart, biologiskt nedbrytbart multifunktionellt oljesmörjmedel.
 - ▶ Smörj sågkedjan efter varje batteriladdning under arbetet.
 - ▶ Kontrollera sågkedjans spänning regelbundet under arbetet. Om sågkedjan inte är tillräckligt spänd: Spänn sågkedjan.

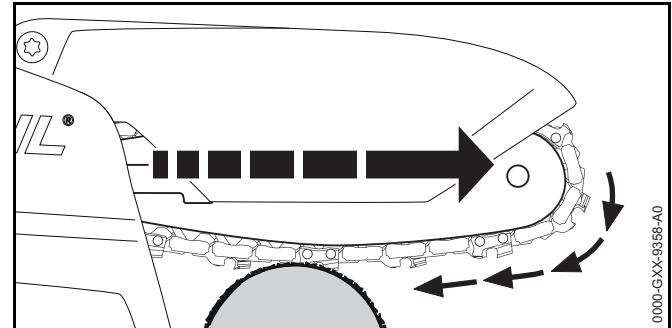
- Under arbetet kan svärdet, sågkedjan och kedjedrevet blir varma. Användaren kan bränna sig.
 - ▶ Vidrör inte varma svärd, sågkedjor och kedjedrev.
 - ▶ Vänta tills svärdet, sågkedjan och kedjedrevet har svalnat.
 - ▶ Använd arbetshandskar av slitstarkt material.
- Om motorlien förändras under arbetet eller betar sig konstigt kan motorlien vara i ett säkerhetsmässigt felaktigt tillstånd. Det kan leda till allvarliga personskador och materiella skador kan uppstå.
 - ▶ Avsluta arbetet, ta ur batteriet och kontakta en STIHL-återförsäljare.
- Motorlien kan vibrera under arbetet.
 - ▶ Använd handskar.
 - ▶ Ta paus i arbetet.
 - ▶ Om du får problem med blodcirkulationen: Uppsök en läkare.
- Det kan bildas gnistor om den roterande sågkedjan träffar ett hårt föremål. Gnistorna kan orsaka brand i brännbar miljö. Det kan leda till allvarliga personskador eller dödsfall och materiella skador.
 - ▶ Arbeta inte i brännbar miljö.
- När strömbrytaren släpps fortsätter sågkedjan att gå en stund. Sågkedjan kan orsaka skärskador när den rör sig.
 - ▶ Vänta tills sågkedjan stannat.

⚠ FARA

- Om man arbetar i närheten av strömförande ledningar kan sågkedjan komma i kontakt med dem och skada dessa. Användaren kan skadas allvarligt eller dödas.
 - ▶ Arbeta inte i närheten av strömförande ledningar.

4.8 Reaktionskrafter

4.8.1 Reaktionskrafter



När man arbetar med svärdets undersida dras motorlien bort från användaren.

⚠ VARNING

- Om sågkedjan träffar ett hårt föremål och bromsas snabbt kan motorlien plötsligt dras bort från användaren. Detta kan leda till personskador.
 - ▶ Håll i motorlien med båda händerna.
 - ▶ Arbeta enligt anvisningarna i den här bruksanvisningen.
 - ▶ Arbeta med monterad skyddskåpa.
 - ▶ Arbeta med oskadad och oförändrad skyddskåpa.
 - ▶ Arbeta med en sågkedja som är korrekt vässad och spänd.
 - ▶ För svärdet rakt i skäret.
 - ▶ Placera anslaget korrekt.
 - ▶ Arbeta med fullgas.

4.9 Ladda

VARNING

- Under laddningen kan det bildas lukt eller rök om laddaren är trasig eller defekt. Det kan leda till personskador eller materialskador.
 - ▶ Dra ut kontakten ur eluttaget.
- Laddaren kan överhettas och orsaka brand om värmen inte avleds korrekt. Det kan leda till allvarliga personskador, dödsfall eller materialskador.
 - ▶ Täck inte över laddaren.

4.10 Elanslutning

Det kan uppstå kontakt med strömförande komponenter av följande orsaker:

- Anslutningskabeln eller förlängningskabeln är skadad.
- Anslutningskabelns eller förlängningskabelns kontakt är defekt.
- Eluttaget är inte korrekt installerat.


FARA

- Kontakt med strömförande komponenter kan leda till elstöt. Användaren kan skadas allvarligt eller dödas.
 - ▶ Kontrollera att anslutningskabeln, förlängningskabeln och kontakterna är oskadade.



Om anslutningskabeln eller förlängningskabeln är defekt eller skadad:

- ▶ Rör inte vid platsen för skadan.
- ▶ Dra ut kontakten ur eluttaget.
- ▶ Fatta tag i anslutningskabeln, förlängningskabeln och kontakter med torra händer.
- ▶ Anslut anslutningskabelns eller förlängningskabelns kontakt till ett korrekt installerat och säkrat eluttag med skyddskontakt.
- ▶ Anslut laddaren via en jordfelsbrytare (30 mA, 30 ms).

- En skadad eller olämplig förlängningskabel kan orsaka elstöt. Personer kan skadas allvarligt eller förolyckas.
 - ▶ Använd en förlängningskabel med rätt ledartvärsnitt,  19.6.

VARNING

- Under laddningen kan fel nätspänning eller fel nätfrekvens leda till överspänning i laddaren. Laddaren kan skadas.
 - ▶ Kontrollera att elnätets nätspänning och nätfrekvens motsvarar uppgifterna på laddarens typskylt.
- En felaktigt dragen anslutningskabel och förlängningskabel kan skadas och man kan snubbla. Personer kan skadas och anslutningskabeln eller förlängningskabeln kan skadas.
 - ▶ Dra och märk ut anslutningskabeln och förlängningskabeln så att ingen kan snubbla.
 - ▶ Dra anslutningskabeln och förlängningskabeln så att de inte späns eller fastnar.
 - ▶ Dra anslutningskabeln och förlängningskabeln så att de inte kan skadas, vikas, eller nötas.
 - ▶ Skydda anslutningskabeln och förlängningskabeln från värme, olja och kemikalier.
 - ▶ Dra anslutningskabeln och förlängningskabeln på ett torrt underlag.

- Förlängningskabeln blir varm under arbetet. Om värmen inte kan avledas kan det leda till brand.
 - ▶ Om en kabeltrumma används: Linda ut hela kabeltrumman.
- Om det finns elektriska ledningar och rör i väggen kan dessa skadas om laddaren monteras på väggen. Kontakt med elektriska ledningar kan leda till en elektrisk stöt. Det kan leda till allvarliga personskador och materiella skador kan uppstå.
 - ▶ Kontrollera att det inte finns några elektriska ledningar och rör i väggen på det avsedda stället.
- Om laddaren inte är monterad på väggen på det sätt som beskrivs i denna bruksanvisning kan laddaren eller batteriet falla ner eller så kan laddaren bli för het. Det kan leda till personskador eller materialskador.
 - ▶ Montera laddaren på ett sådant sätt på väggen som det beskrivs i denna bruksanvisning.
- Om laddaren monteras på väggen med batteriet isatt kan batteriet ramla ur laddaren. Det kan leda till personskador eller materialskador.
 - ▶ Montera först laddaren på väggen och sätt sedan in batteriet.

4.11 Transport

4.11.1 Motorlie

⚠ VARNING

- Motorlien kan välta eller röra sig under transporten. Det kan leda till personskador eller materialskador.



- ▶ Ta ur batteriet.

- ▶ Trä på kedjeskyddet på svärdet så att hela svärdet täcks.
- ▶ Transportera motorlien i den medföljande väskan.

- ▶ Om ingen väska ingår i leveransomfånget: Säkra motorlien med spännremmar, remmar eller ett nät så att den inte kan välta eller röra sig.

4.11.2 Batteri

⚠ VARNING

- Batteriet är inte skyddat mot all påverkan från omgivningen. Batteriet kan skadas och materialskador kan uppstå om batteriet utsätts för viss påverkan från omgivningen.
 - ▶ Transportera inte batteriet om det är skadat.
 - ▶ Transportera batteriet i den medföljande väskan.
 - ▶ Om det inte ingår någon väska i transportomfånget: transportera batteriet i en förpackning som inte leder elektricitet.
- Batteriet kan välta eller röra sig under transporten. Det kan leda till personskador eller materialskador.
 - ▶ Se till att batteriet inte kan röra sig i förpackningen.
 - ▶ Se till att förpackningen inte kan röra sig.

4.11.3 Laddare

⚠ VARNING

- Laddaren kan välta eller röra sig under transporten. Det kan leda till personskador eller materialskador.
 - ▶ Dra ut kontakten ur eluttaget.
 - ▶ Ta ur batteriet.
 - ▶ Transportera laddaren i den medföljande väskan.
 - ▶ Om ingen väska ingår i leveransomfånget: Säkra laddaren med spännremmar, remmar eller ett nät så att den inte kan välta eller röra sig.
- Bär inte laddaren i anslutningskabeln. Anslutningskabeln och laddaren kan gå sönder.
 - ▶ Linda upp anslutningskabeln och fäst den i laddaren.

4.12 Förvaring

4.12.1 Motorlien

! VARNING

- Barn förstår inte och kan inte bedöma farorna med motorlien. Barn kan skadas allvarligt.



- ▶ Ta ur batteriet.

- ▶ Trä på kedjeskyddet på svärdet så att hela svärdet täcks.

- ▶ Förvara motorlien utom räckhåll för barn.

- De elektriska kontakterna på motorlien och metalldelarna kan korrodera på grund av fukt. Motorlien kan skadas.



- ▶ Ta ur batteriet.

- ▶ Förvara motorlien rent och torrt.

4.12.2 Batteri

! VARNING

- Barn förstår inte och kan inte bedöma farorna med batteriet. Barn kan skadas allvarligt.
 - ▶ Förvara batteriet utom räckhåll för barn.
- Batteriet är inte skyddat mot all påverkan från omgivningen. Batteriet kan skadas om det utsätts för viss påverkan från omgivningen.
 - ▶ Förvara batteriet på en ren och torr plats.
 - ▶ Förvara batteriet i ett stängt rum.
 - ▶ Förvara inte batteriet tillsammans med motorlien och laddaren.
 - ▶ Förvara batteriet i en förpackning som inte leder elektricitet.

- ▶ Förvara batteriet mellan - 20 °C och + 70 °C.

4.12.3 Laddare

! VARNING

- Barn förstår inte och kan inte bedöma farorna med laddaren. Barn kan skadas allvarligt eller dödas.
 - ▶ Ta ur batteriet.
 - ▶ Förvara laddaren utom räckhåll för barn.
- Laddaren är inte skyddad mot påverkan från omgivningen. Laddaren kan skadas om den utsätts för påverkan från omgivningen.
 - ▶ Ta ur batteriet.
 - ▶ Om laddaren är varm: Låt laddaren svalna.
 - ▶ Förvara laddaren på en ren och torr plats.
 - ▶ Förvara laddaren i ett stängt rum.
 - ▶ Förvara laddaren mellan - 20 °C och + 70 °C.
- Bär inte laddaren i anslutningskabeln och låt den inte hänga i den. Anslutningskabeln och laddaren kan gå sönder.
 - ▶ Fatta tag i laddarens hus och håll kvar. Det finns ett handtag på baksidan för att lyfta laddaren.
 - ▶ Fäst laddaren på väggfästet.

4.13 Rengöring, underhåll och reparation

! VARNING

- Om batteriet sitter i under rengöring, underhåll eller reparation kan motorlien starta oavsiktligt. Det kan leda till allvarliga personskador och materiella skador kan uppstå.



- ▶ Ta ur batteriet.

- Aggressiva rengöringsmedel, rengöring med en vattenstråle eller vassa föremål kan skada motorlien, svärdet, sågkedjan, batteriet och laddaren. Om motorlien,









svärdet, sågkedjan, batteriet eller laddaren inte rengörs på rätt sätt, slutar eventuellt komponenterna och säkerhetsanordningarna att fungera. Personer kan skadas allvarligt.





- ▶ Rengör motorlien, svärdet, sågkedjan, batteriet och laddaren enligt anvisningarna i den här bruksanvisningen.
- Om motorlien, svärdet, sågkedjan, batteriet och laddaren inte underhålls eller repareras på rätt sätt, slutar eventuellt komponenterna och säkerhetsanordningarna att fungera. Personer kan skadas allvarligt eller förolyckas.
 - ▶ Reparera inte motorlien, batteriet och laddaren själv.
 - ▶ Om motorlien, batteriet eller laddaren måste underhållas eller repareras: Kontakta en STIHL-återförsäljare.
 - ▶ Underhåll och reparera svärdet och sågkedjan enligt anvisningarna i den här bruksanvisningen.
- Vid rengöring eller underhåll av sågkedjan kan man skära sig på de vassa tänderna. Användaren kan skadas.
 - ▶ Använd arbetshandskar av slitstarkt material.

5 Gör motorlien redo att använda

5.1 Gör motorlien redo att använda

Varje gång innan maskinen används måste följande göras:

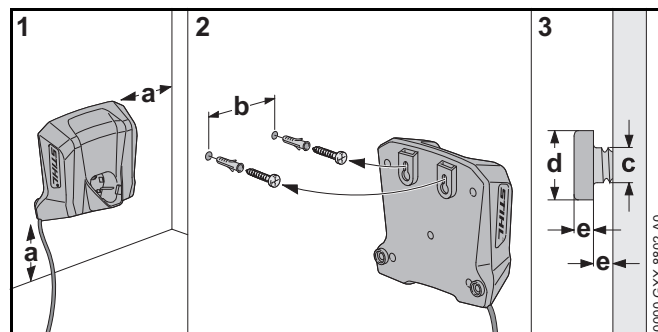
- ▶ Kontrollera att följande komponenter är säkra att använda:
 - Motorlie,  4.6.1.
 - Svärd,  4.6.2.
 - Sågkedja,  4.6.3.
 - Batteri,  4.6.4.
 - Laddare,  4.6.5.
- ▶ Kontrollera batteriet,  10.6.
- ▶ Ladda batteriet helt,  6.2.
- ▶ Rengör motorlien,  15.1.

- ▶ Montera svärdet och sågkedjan,  7.1.1.
- ▶ Spänn sågkedjan,  7.2.
- ▶ Smörj sågkedjan,  7.3.
- ▶ Kontrollera manöverdonen,  10.5.
 - ▶ Om 3 LED-lampor på batteriet blinkar rött under kontrollen av manöverdonen: Ta ur batteriet och kontakta en STIHL-återförsäljare. Fel på motorlien.
- ▶ Om stegen inte kan genomföras: Använd inte motorlien och uppsök en STIHL-återförsäljare.

6 Ladda batteriet och lampor

6.1 Montera laddaren på väggen

Laddaren kan monteras på väggen.



- ▶ Montera laddaren på väggen enligt följande:

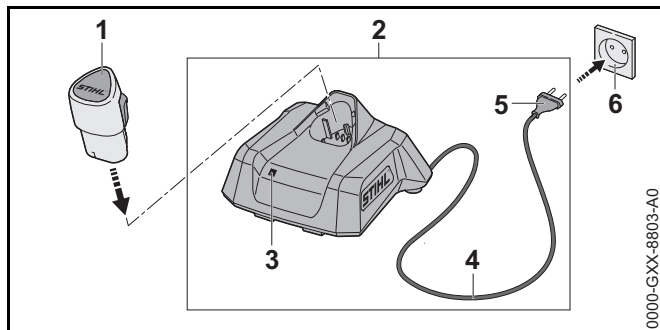
- Lämpligt fastsättningsmaterial används.
- Laddaren är vågrät.
- Bibehåll följande avstånd:
 - a = minst 100 mm
 - b = 54 mm
 - c = 4,5 mm
 - d = 9 mm
 - e = 2,5 mm

6.2 Ladda batteriet

Laddningstiden beror på olika faktorer som batteriets temperatur eller omgivningstemperaturen. Den verkliga laddningstiden kan avvika från den angivna laddningstiden. Laddningstiden anges på www.stihl.com/charging-times.

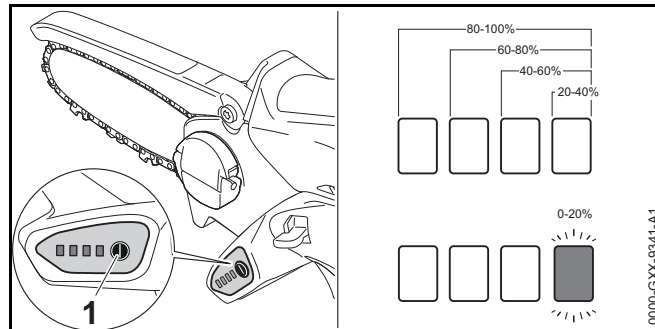
Om kontakten sitter i ett eluttag och batteriet sätts in i laddaren startar laddningen automatiskt. När batteriet är helt laddat stängs laddaren av automatiskt.

Batteriet och laddaren blir varma under laddningen.



- ▶ Sätt in kontakten (5) i ett eluttag (6) som du lätt kommer åt.
Laddaren (2) gör ett självttest. Lampan (3) lyser grönt i ca 1 sekund och rött i ca 1 sekund.
- ▶ Dra anslutningskabeln (4).
- ▶ Sätt in batteriet (1) i laddarens (2) styrningar och tryck in det så långt det går.
Lampan (3) lyser eller blinkar grönt. Batteriet (2) laddas.
- ▶ Om lampan (3) inte längre lyser: Batteriet (1) är fulladdat och kan tas ut ur laddaren (2).
- ▶ Om laddaren (2) inte längre ska användas: Dra ut kontakten (5) ur eluttaget (6).

6.3 Visa laddningsnivån



- ▶ Sätt i batteriet.
- ▶ Tryck på knappen (1).
LED-lamporna lyser grönt i ca 5 sekunder och visar laddningsnivån.
- ▶ Om höger lampa blinkar grönt: Ladda batteriet.

6.4 LED-lampor på motorlien

LED-lamporna kan indikera batteriets laddning och fel. LED-lamporna kan lysa eller blinka rött eller grönt.

Om LED-lamporna lyser eller blinkar grönt indikeras batterinivån.

- ▶ Om LED-lamporna lyser eller blinkar rött: Åtgärda felet, 18.
Fel på motorlien eller batteriet.

6.5 Lampa på laddaren

Lampan visar laddarens status eller fel. Lampan kan lysa eller blinka grönt eller rött.

Om lampan lyser eller blinkar grönt laddas batteriet.

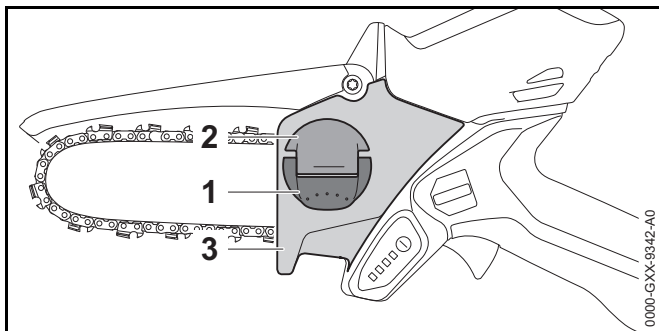
- ▶ Om lampan lyser eller blinkar rött: Åtgärda fel, 18.
Det finns ett fel på laddaren eller batteriet.

7 Montera ihop motorlien

7.1 Demontera och montera svärdet och sågkedjan

7.1.1 Demontera svärdet och sågkedjan

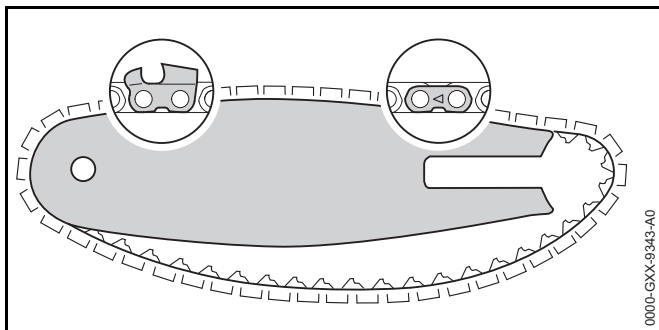
- ▶ Stäng av motorlien och ta ur batteriet.



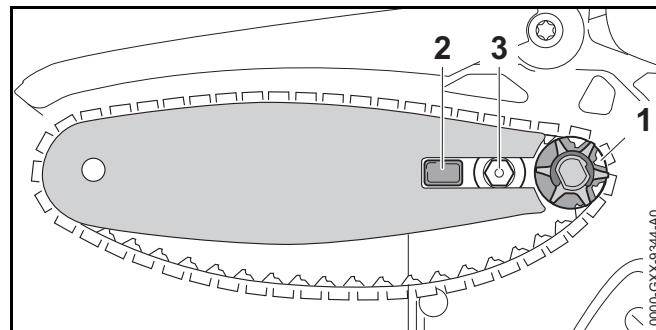
- ▶ Fäll upp handtaget (1) på vingmuttern (2).
- ▶ Vrid vingmuttern (2) moturs tills kedjedrevets lock (3) kan tas av.
- ▶ Ta av kedjedrevets lock (3).
- ▶ Ta av svärdet och sågkedjan.

7.1.2 Montera svärdet och sågkedjan

Kombinationerna av svärd och sågkedja, som passar till kedjedrevet och som får monteras, anges i tekniska data, 20.1.



- ▶ Lägg in sågkedjan i spåret på svärdet så att pilarna på sågkedjans länkar pekar mot ovsidan i löprikningen.



- ▶ Placera svärdet med sågkedjan på motorlien så att följande villkor är uppfyllda:
 - Sågkedjans drivlänkar sitter i kuggarna på kedjedrevet (1).
 - Tappen (2) sitter i det avlånga hålet i svärdet.
 - Flänsskruven (3) sitter i det avlånga hålet på svärdet.

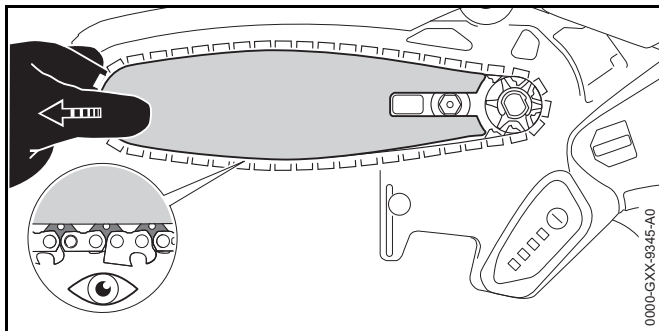
Det spelar ingen roll åt vilket håll svärdet sitter. Märkningen på svärdet kan även finnas på spetsen.

- ▶ Spänn sågkedjan.
- ▶ Sätt på kedjedrevets lock på motorlien så att det är kant i kant med motorlien.
- ▶ Vrid vingmuttern medurs tills kedjedrevets lock sitter fast på motorlien.
- ▶ Fäll ner handtaget på vingmuttern.

7.2 Spänn sågkedjan

Under arbetet töjs eller dras sågkedjan samman. Sågkedjans spänning ändras. Under arbetet måste sågkedjans spänning kontrolleras regelbundet och sågkedjan måste efterspännas.

- ▶ Stäng av motorlien och ta ur batteriet.



- ▶ Fäll upp handtaget på vingmuttern.
- ▶ Vrid vingmuttern 2 varv moturs. Vingmuttern är lossad.

⚠ VARNING

Tänderna på sågkedjan är vassa. Användaren kan skära sig.

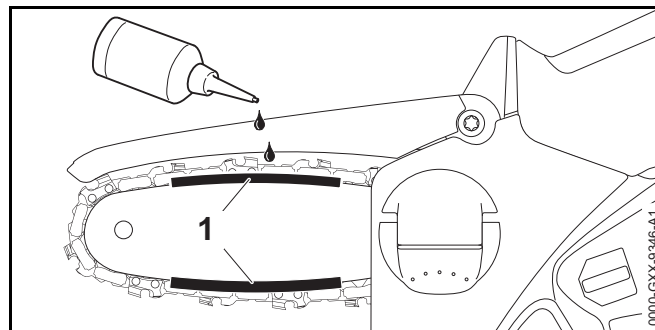
- ▶ Använd arbetshandskar av slitstarkt material.
-
- ▶ För svärdet så långt till vänster eller höger tills följande villkor är uppfyllt:
 - Sågkedjans drivlänkar syns till hälften på svärdets undersida.
 - ▶ Vrid vingmuttern medurs tills kedjedrevets lock sitter fast på motorlien.
 - ▶ Om sågkedjan fortfarande lätt kan dras med två fingrar över svärdet: sågkedjan är korrekt spänd.
 - ▶ Om sågkedjans drivlänkar är helt synliga på svärdets undersida: Spänn sågkedjan på nytt.
 - ▶ Fäll ner handtaget på vingmuttern.

7.3 Smörj sågkedjan

Multifunktionsoljan STIHL Multioil Bio eller ett jämförbart, biologiskt nedbrytbart multifunktionellt oljesmörjmedel som smörjer och kyler ner den roterande sågkedjan.

- ▶ Stäng av motorlien och ta ur batteriet.
- ▶ Lägg motorlien på en plan yta så att locket på kedjehjulet pekar uppåt.

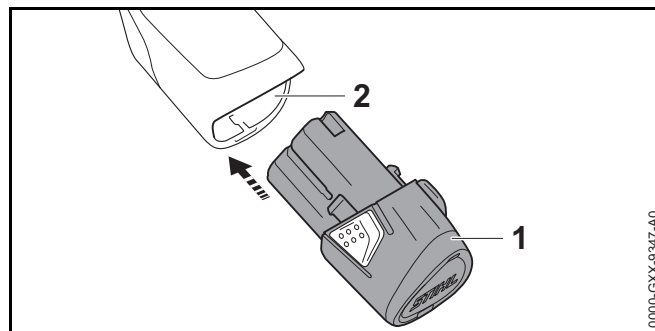
- ▶ Rengör svärdet och sågkedjan med en pensel, en mjuk borste eller STIHL-hartslösningsmedel.



- ▶ Stryk på multifunktionsolja i området (1) mellan svärd och sågkedja.
- ▶ Sätt i batteriet.
- ▶ Koppla på motorlien. Multifunktionsoljan fördelas på sågkedjan. Sågkedjan är smörjd.

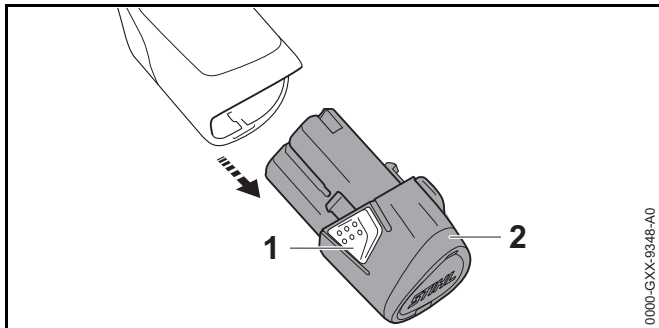
8 Sätt in och ta ut batteriet

8.1 Sätt i batteriet



- ▶ Tryck in batteriet (1) så långt det går i batterifacket (2). Batteriet (1) låses fast med ett klick.

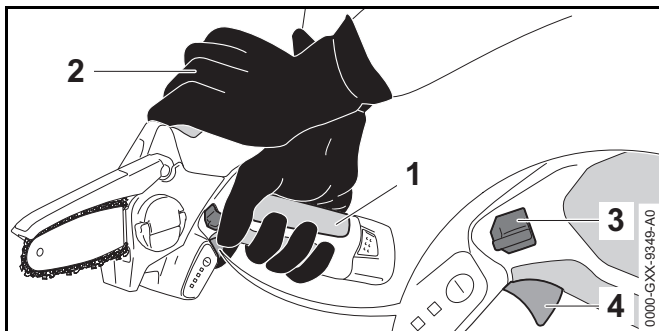
8.2 Ta ur batteriet



- ▶ Tryck på båda spärrhakarna (1).
Batteriet (2) är nu lossat och kan tas ur.

9 Sätt på och stäng av motorlien

9.1 Koppla på motorlien



- ▶ Håll motorlien med en hand i manöverhandtagets område (1) så att tummen omsluter handtaget.
- ▶ Håll och styr motorlien med den andra handen på greppstället (2).
- ▶ Tryck på spärrarmen (3) med tummen och håll den intryckt.

- ▶ Tryck på strömbrytaren (4) med pekfingeret och håll den intryckt.
Motorlien accelererar och sågkedjan går. Spärrarmen (3) kan släppas.

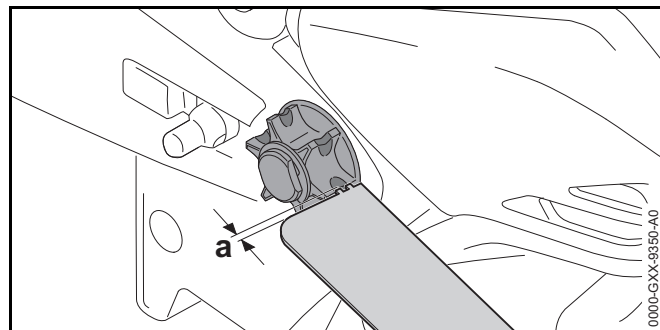
9.2 Stäng av motorlien

- ▶ Släpp strömbrytaren.
Sågkedjan går inte längre.
- ▶ Om sågkedjan fortfarande går: ta ur batteriet och kontakta en STIHL-återförsäljare.
Motorlien är defekt.

10 Kontrollera motorlie och batteri

10.1 Kontrollera kedjedrevet

- ▶ Stäng av motorlien och ta ur batteriet.
- ▶ Demontera kedjedrevets lock.
- ▶ Demontera svärdet och sågkedjan.

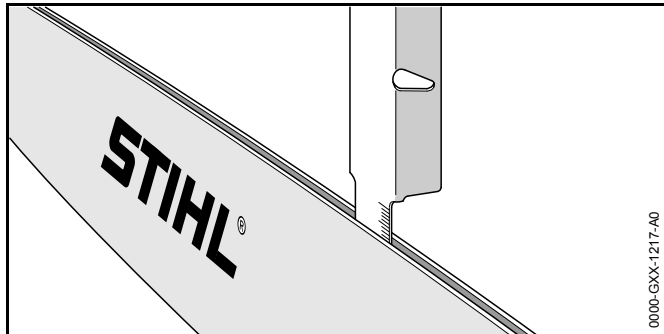


- ▶ Kontrollera slitagespåren på kedjedrevet med en ryttarmall från STIHL.
- ▶ Om inlöpningspåren är djupare än $a = 0,5$ mm: använd inte motorlien och kontakta en STIHL-återförsäljare.
Kedjedrevet måste bytas.

10.2 Kontrollera svärdet

- ▶ Stäng av motorlien och ta ur batteriet.

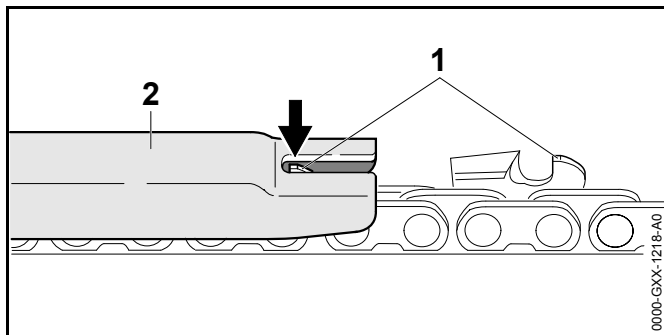
- ▶ Demontera sågkedjan och svärdet.



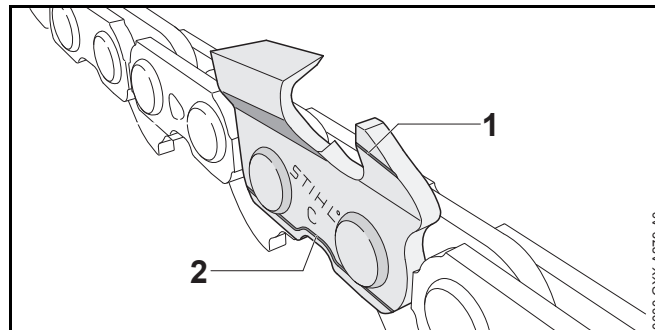
- ▶ Mät svärdets spår djup med skalan på en filmall från STIHL.
- ▶ Byt svärdet om något av alternativen nedan stämmer:
 - Svärdet är skadat.
 - Spår djupet är mindre än svärdets minsta spår djup, 19.3.
 - Spåret i svärdet har förträngningar eller har vidgats.
- ▶ Om något är oklart: Kontakta en STIHL-återförsäljare.

10.3 Kontrollera sågkedjan

- ▶ Stäng av motorlien och ta ur batteriet.



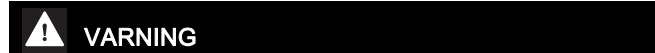
- ▶ Mät skärdjupbegränsarens (1) höjd med en filmall (2) från STIHL. Filmallen måste passa sågkedjans delning.
- ▶ Om en djupbegränsare (1) sticker ut över filmallen (2): Fila ner djupbegränsaren (1), 16.1.



- ▶ Kontrollera om slitagemarkeringarna (1 och 2) syns på tänderna.
- ▶ Om en av slitagemarkeringarna inte syns på en tand: Använd inte sågkedjan och kontakta en STIHL-återförsäljare.
- ▶ Kontrollera om skärtandens slipvinkel är 30° med en STIHL-filmall. Filmallen måste passa sågkedjans delning.
- ▶ Om slipvinkeln inte är 30°: Slipa sågkedjan.
- ▶ Om något är oklart: Kontakta en STIHL-återförsäljare.

10.4 Kontrollera skyddskåpan

- ▶ Ta ur batteriet.



VARNING

Tänderna på sågkedjan är vassa. Användaren kan skära sig.

- ▶ Använd arbetshandskar av slitstarkt material.

- ▶ Vik upp skyddskåpan och lossa den. Skyddskåpan går tillbaka till det ursprungliga läget.
- ▶ Om skyddskåpan är trög och inte går tillbaka till det ursprungliga läget: Använd inte motorlien och kontakta en STIHL-återförsäljare. Skyddskåpan är defekt.

10.5 Kontrollera manöverdonen

Spärrarm och strömbrytare

- ▶ Ta ur batteriet.
- ▶ Försök att trycka på strömbrytaren utan att trycka på spärrarmen.
- ▶ Om det går att trycka in strömbrytaren: Kontakta en STIHL-återförsäljare. Spärrarmen är defekt.
- ▶ Tryck på spärrarmen och håll kvar.
- ▶ Tryck på strömbrytaren och släpp igen.
- ▶ Om strömbrytaren är styv eller inte går tillbaka till sin ursprungliga position: använd inte motorlien och kontakta en STIHL-återförsäljare. Strömbrytaren är defekt.

Koppla på motorlien

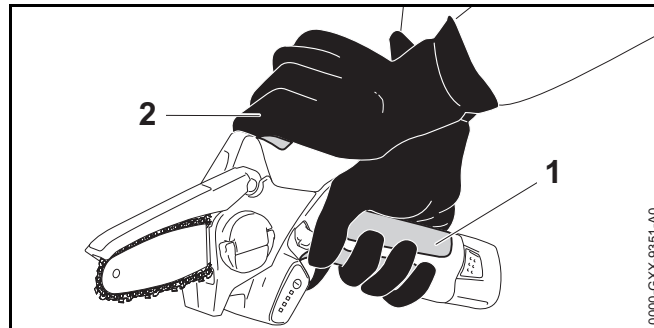
- ▶ Sätt i batteriet.
- ▶ Tryck på spärrarmen och håll kvar.
- ▶ Tryck på strömbrytaren och håll kvar. Sågkedjan går.
- ▶ Om 3 LED-lampor blinkar rött: Ta ur batteriet och kontakta en STIHL-återförsäljare. Fel på motorlien.
- ▶ Släpp strömbrytaren. Sågkedjan går inte längre.
- ▶ Om sågkedjan fortfarande går: ta ur batteriet och kontakta en STIHL-återförsäljare. Motorlien är defekt.

10.6 Kontrollera batteriet

- ▶ Sätt i batteriet.
- ▶ Tryck på tryckknappen på motorlien. LED-lamporna lyser eller blinkar.
- ▶ Om LED-lamporna inte lyser eller blinkar: Använd inte motorlien och batteriet och uppsök en STIHL-återförsäljare. Fel på motorlien eller batteriet.

11 Arbeta med motorlien

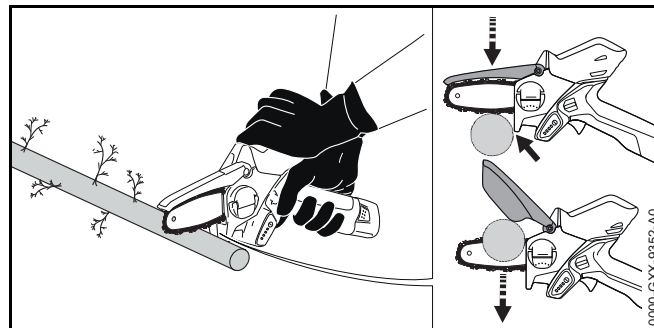
11.1 Håll och styr motorlien



- ▶ Håll motorlien med en hand i manöverhandtagets område (1) och styr så att tummen omsluter handtaget.
- ▶ Håll och styr motorlien med den andra handen på greppstället (2).

11.2 Klippning

- ▶ För svärdet rakt i skäret med fullgas.



- ▶ Sätt anslaget på plats och använd det som vridpunkt.
- ▶ För svärdet helt genom trädet.
- ▶ Ta emot motorliens vikt när skäret är klart.
- ▶ Såga grenar separat.

12 Efter arbetet

12.1 Efter arbetet

- ▶ Stäng av motorlien och ta ur batteriet.
- ▶ Om motorlien är våt: Låt motorlien torka.
- ▶ Om batteriet är vått: Låt batteriet torka.
- ▶ Rengör motorlien.
- ▶ Rengör svärdet och sågkedjan.
- ▶ Trä på kedjeskyddet på svärdet så att hela svärdet täcks.
- ▶ Rengör batteriet.

13 Transport

13.1 Transportera grenkapen

- ▶ Stäng av grenkapen och ta ur batteriet.
- ▶ Skjut på kedjeskyddet på svärdet så att hela svärdet täcks.

Bära grenkapen

- ▶ Bär grenkapen med en hand i manöverhandtaget så att svärdet pekar nedåt.

Transportera grenkapen i ett fordon

- ▶ Transportera grenkapen i den medföljande väskan.
- ▶ Se till att väskan inte kan välta eller förflytta sig.
- ▶ Om ingen väska ingår i leveransomfånget: Se till att grenkapen inte kan välta eller förflytta sig.

13.2 Transportera batteriet

- ▶ Stäng av motorlien och ta ur batteriet.
- ▶ Kontrollera att batteriet är i ett säkert skick.
- ▶ Packa batteriet i den medföljande väskan.
- ▶ Om ingen väska ingår i leveransomfånget: förpacka batteriet enligt följande:

- Förpackningen leder inte elektricitet.
- Batteriet kan inte röra sig i förpackningen.
- ▶ Se till att förpackningen inte kan röra sig.

Batteriet måste transporteras som farligt gods. Batteriet är klassat som UN 3480 (litiumjonbatterier) och har kontrollerats enligt UN-handboken del III, avsnitt 38.3.

Transportföreskrifterna finns angivna på www.stihl.com/safety-data-sheets.

13.3 Transportera laddaren

- ▶ Dra ut kontakten ur eluttaget.
- ▶ Ta ur batteriet.
- ▶ Linda upp anslutningskabeln och fäst den i laddaren.
- ▶ Om laddaren transporteras i ett fordon:
 - ▶ Transportera laddaren i den medföljande väskan.
 - ▶ Se till att väskan inte kan välta eller röra sig.
 - ▶ Om ingen väska ingår i leveransomfånget: Se till att laddaren inte kan välta eller röra sig.

14 Förvaring

14.1 Förvara motorlien

- ▶ Stäng av motorlien och ta ur batteriet.
- ▶ Trä på kedjeskyddet på svärdet så att hela svärdet täcks.
- ▶ Förvara motorlien enligt följande:
 - Förvara motorlien utom räckhåll för barn.
 - Motorlien är ren och torr.
 - Sågkedjan är smörjd.

14.2 Förvara batteriet

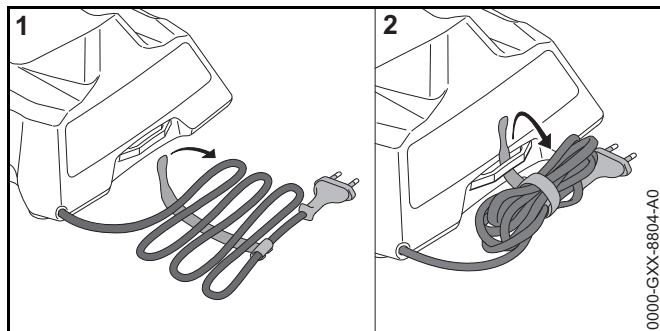
STIHL rekommenderar att batteriet förvaras laddat mellan 40 % och 60 % (2 LED-lampor lyser grönt).

- ▶ Förvara batteriet enligt följande:
 - Förvara batteriet utom räckhåll för barn.
 - Batteriet är rent och torrt.

- Batteriet befinner sig i ett stängt rum.
- Förvara inte motorlien tillsammans med motorlien och laddaren.
- Förvara batteriet i en förpackning som inte leder elektricitet.
- Förvara batteriet mellan - 20 °C und + 60 °C.

14.3 Förvara laddaren

- ▶ Dra ut kontakten ur eluttaget.
- ▶ Ta ut batteriet.



- ▶ Linda upp anslutningskabeln och fäst den i laddaren.
- ▶ Förvara laddaren enligt följande:
 - Förvara laddaren utom räckhåll för barn.
 - Se till att laddaren är ren och torr.
 - Förvara laddaren i ett stängt rum.
 - Förvara inte laddaren tillsammans med batteriet.
 - Låt inte laddaren hänga i anslutningskabeln.
 - Förvara laddaren mellan - 20 °C och + 60 °C.

15 Rengöring

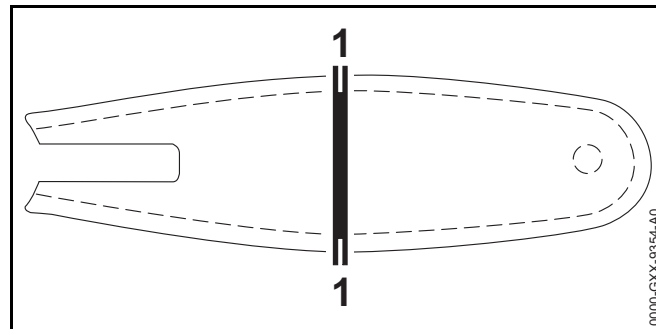
15.1 Rengör motorlien

- ▶ Stäng av motorlien och ta ur batteriet.
- ▶ Rengör motorlien med en fuktig trasa eller STIHL-hartslösningssmedel.

- ▶ Demontera kedjedrevets lock.
- ▶ Rengör området runt kedjedrevet med en fuktig trasa eller STIHL-hartslösningssmedel.
- ▶ Ta bort smuts ur batterifacket och rengör batterifacket med en fuktig trasa.
- ▶ Rengör de elektriska kontakterna i batterifacket med en pensel eller en mjuk borste.
- ▶ Sätt på kedjedrevets lock.

15.2 Rengör svärdet och sågkedjan

- ▶ Stäng av motorlien och ta ur batteriet.
- ▶ Demontera svärdet och sågkedjan.



- ▶ Rengör spåret (1) med en pensel, en mjuk borste eller STIHL-hartslösningssmedel.
- ▶ Rengör sågkedjan med en pensel, en mjuk borste eller STIHL-hartslösningssmedel.
- ▶ Montera svärdet och sågkedjan.
- ▶ Smörj sågkedjan.

15.3 Rengör batteriet

- ▶ Rengör batteriet med en fuktig trasa.

15.4 Rengör laddaren

- ▶ Dra ut kontakten ur eluttaget.
- ▶ Rengör kontakten med en fuktig trasa.

- Rengör de elektriska kontaktarna i laddaren med en pensel eller en mjuk borste.

16 Underhåll

16.1 Slipa sågkedjan

Det krävs mycket träning för att slipa sågkedjor korrekt.

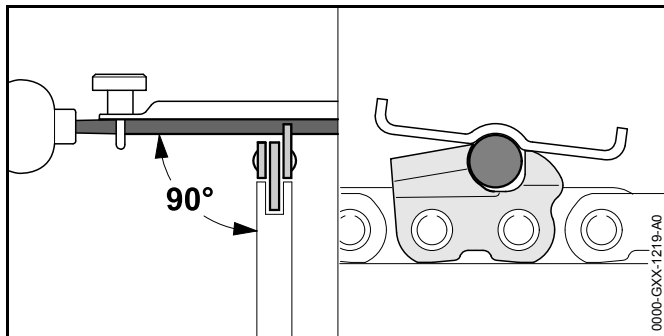
Använd gärna filar, filhjälpmedel och skärputrustning från STIHL. Du kan även ladda ner broschyren "Sharpening a STIHL saw chain". Broschyren är tillgänglig på www.stihl.com/sharpening-brochure.

STIHL rekommenderar att sågkedjorna lämnas in för slipning hos en STIHL-återförsäljare.

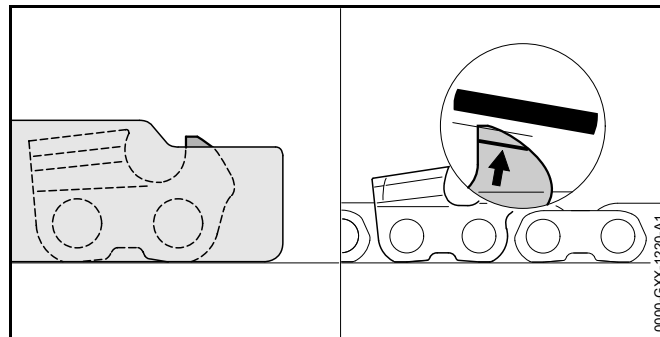
VARNING

Tänderna på sågkedjan är vassa. Användaren kan skära sig.

- Använd arbetshandskar av slitstarkt material.



- Fila varje tand med en rundfil så här:
 - Rundfilen passar till sågkedjans delning.
 - Rundfilen förs inifrån och ut.
 - Rundfilen förs i rät vinkel till svärdet.
 - Slipvinkeln är 30°.



- Fila djupbegränsarna så att de är kant i kant med filmallen STIHL och parallella med slitagemarkeringen. Filmallen måste passa sågkedjans delning.
- Om något är oklart: Kontakta en STIHL-återförsäljare.

17 Reparera


17.1 Reparera motorlie, batteri och laddare

Användaren kan inte reparera motorlien, svärdet, sågkedjan, batteriet och laddaren själv.

- Om motorlien, svärdet eller sågkedjan är skadade: använd inte motorlien, svärdet eller sågkedjan och kontakta en STIHL-återförsäljare.
- Om batteriet är defekt eller trasigt: byt ut batteriet.
- Om laddaren är defekt eller trasig: Byt ut laddaren.
- Om anslutningskabeln är defekt eller skadad: Använd inte laddaren och låt anslutningskabeln bytas ut av en STIHL-återförsäljare.

18 Felavhjälpning

18.1 Åtgärda fel på motorlien eller batteriet

Fel	LED-lampor på motorlien	Orsak	Åtgärd
Motorlien startar inte när man slår på den.	1 LED-lampa blinkar grönt.	Batteriet är inte tillräckligt laddat.	► Ladda batteriet.
	1 LED-lampa lyser rött.	Batteriet är för varmt eller för kallt.	► Ta ur batteriet. ► Låt batteriet svalna eller värmas upp.
	3 LED-lampor blinkar rött.	Fel på motorlien.	► Ta ur batteriet. ► Rengör de elektriska kontakterna i batterifacket. ► Sätt i batteriet. ► Koppla på motorlien. ► Om de 3 LED-lamporna fortfarande blinkar rött: Använd inte motorlien och kontakta en STIHL-återförsäljare.
	3 LED-lampor lyser rött.	Motorlien är för varm.	► Ta ur batteriet. ► Kyl ner motorlien.
	4 LED-lampor blinkar rött.	Fel på batteriet.	► Ta ur batteriet och sätt i det igen. ► Koppla på motorlien. ► Om de 4 LED-lamporna fortfarande blinkar rött: Använd inte batteriet och kontakta en STIHL-återförsäljare.
		Elanslutningen mellan motorlien och batteriet har brutits.	► Ta ur batteriet. ► Rengör de elektriska kontakterna i batterifacket. ► Sätt i batteriet.
		Motorlien eller batteriet är fuktiga.	► Låt motorlien eller batteriet torka.
		Sågkedjan är fastklämd.	► Ta ur batteriet. ► Rengör motorlien,  15.1.
Motorlien stängs av under drift.	3 LED-lampor lyser rött.	Motorlien är för varm.	► Ta ur batteriet. ► Kyl ner motorlien.
		Elfel.	► Ta ur batteriet och sätt i det igen. ► Koppla på motorlien.

Fel	LED-lampor på motorlien	Orsak	Åtgärd
Motorliens klippeffekt avtar.	1 LED-lampa blinkar grönt.	Batteriet är inte tillräckligt laddat.	► Ladda batteriet.
		Sågkedjan är inte korrekt slipad.	► Slipa sågkedjan korrekt.
		Sågkedjan är för hårt spänd.	► Spänn sågkedjan korrekt.
		Kedjesmörjningen är inte tillräcklig.	► Smörj sågkedjan.
Motorliens drifttid är för kort.		Batteriet är inte helt laddat.	► Ladda batteriet helt.
		Batteriets livslängd är slut.	► Byt batteriet.

18.2 Åtgärda fel på laddaren

Fel	Lampa på laddaren	Orsak	Åtgärd
Batteriet laddas inte.	LED-lampan lyser rött.	Batteriet är för varmt eller för kallt.	► Låt batteriet vara kvar i laddaren. Laddningen startar automatiskt när temperaturen är ok.
	LED-lampan blinkar rött.	Elanslutningen mellan laddaren och batteriet har brutits.	► Ta ut batteriet. ► Rengör de elektriska kontakterna i laddaren. ► Sätt in batteriet.
		Fel på laddaren.	► Använd inte laddaren och uppsök en STIHL-återförsäljare.
		Fel på batteriet.	► Använd inte batteriet och kontakta en STIHL-återförsäljare.
Laddaren genomför inte ett självtest.	Lampan lyser inte grönt i ca 1 sekund och rött i ca 1 sekund.	Elanslutningen till laddaren har brutits kortvarigt.	► Dra ut kontakten ur eluttaget. ► Vänta 1 minut. ► Sätt in kontakten i eluttaget.

19 Tekniska data

19.1 Motorlie STIHL GTA 26

- Godkänt batteri: STIHL AS
- Vikt utan batteri, med svärd och sågkedja: 1,2 kg

Körtiden är angiven på www.stihl.com/battery-life.

19.2 Kedjehjul

Följande kedjedrev kan användas:

- 6 kuggar för 1/4" P

19.3 Min. spårdjup för svärd

Min. spårdjup beror på svärdets delning.

- 1/4" P: 4 mm

19.4 Batteri STIHL AS

- Batteriteknik: Litiumjon
- Spänning: 10,8 V
- Kapacitet i Ah: se typskylten
- Energiinnehåll i Wh: se typskylten
- Vikt i kg: se typskylten
- Tillåtet temperaturområde för användning och förvaring: - 20 °C till + 50 °C

Om batteriet används vid lägre temperaturer än 0 °C eller vid en högre temperatur än + 30 °C kan batteriets livslängd förkortas och motorliens funktion försämrats.

19.5 Laddare STIHL AL 1

- Märkspänning: se typskylten
- Frekvens: se typskylten
- Märkeffekt: se typskylten

- Laddström: se typskylten
- Tillåtet temperaturområde för användning och förvaring: - 20 °C till + 50 °C
- Maximalt energiinnehåll för tillåtet batteri STIHL AS: 12,5 Ah

Laddningstiderna anges på www.stihl.com/charging-times.

Om laddaren används i en temperatur som är lägre än + 5 °C eller högre än + 30 °C kan laddningstiderna bli längre.

19.6 Förlängningskablar

Om en förlängningskabel används måste dess ledningar ha åtminstone följande tvärsnitt, beroende på spänningen och längden på förlängningskabeln:

Om märkspänningen på typskylten är 220 V till 240 V:

- Upp till 20 m lång kabel: AWG 15 / 1,5 mm²
- 20 till 50 m lång kabel: AWG 13 / 2,5 mm²

Om märkspänningen på typskylten är 100 V till 127 V:

- Upp till 10 m lång kabel: AWG 14 / 2,0 mm²
- 10 till 30 m lång kabel: AWG 12 / 3,5 mm²

19.7 Buller- och vibrationsvärden

K-faktorn för ljudtrycksnivån är 2 dB(A). K-faktorn för ljudeffektnivån är 2 dB(A). K-faktorn för vibrationsvärdena är 2 m/s².

STIHL rekommenderar att hörselskydd används.

- Ljudtrycksnivå L_{pA} uppmätt enligt EN 60745-2-13: 77 dB(A)
- Ljudeffektnivå L_{wA} uppmätt enligt EN 60745-2-13: 86 dB(A)
- Vibrationsvärde a_{hv} uppmätt enligt EN 60745-2-13:
 - Manöverhandtag: 2,8 m/s²
 - Greppställe: 2,9 m/s²

De angivna vibrationsvärdena har mätts med en standardiserad kontrollmetod och kan användas som referens för elektrisk utrustning. De faktiska vibrationsvärdena kan avvika från de angivna värdena beroende på typen av användning. De angivna vibrationsvärdena kan användas för att preliminärt uppskatta vibrationsbelastningen. Den verkliga vibrationsbelastningen måste uppskattas. Här kan man även ta hänsyn till stunder då den elektriska utrustningen är avstängd och när den är på men går utan belastning.

Information om uppfyllandet av arbetsgivardirektivet avseende vibration 2002/44/EG finns på www.stihl.com/vib.

19.8 REACH

REACH är en EG-förordning för registrering, bedömning och godkännande av kemikalier.

Information om REACH-direktivet finns på www.stihl.com/reach.

20 Kombinationer av svärd och sågkedjor

20.1 Motorlie STIHL GTA 26

Delning	Drivlänkstjocklek/spårvidd	Längd	Svärd	Antal kuggar på kedjehjulet	Antal drivlänkar	Sågkedja
1/4" P	1,1 mm	10 cm	Light	-	28	71 PM3 (typ 3670)

Ett svärds skärlängd beror på motorlien och sågkedjan. Ett svärds faktiska skärlängd kan vara mindre än den angivna skärlängden.

21 Reservdelar och tillbehör

21.1 Reservdelar och tillbehör

STIHL De här symbolerna kännetecknar STIHL-originaldelar och STIHL-originaltillbehör.

STIHL rekommenderar att du använder originaldelar och tillbehör från STIHL.

Originaldelar och tillbehör från STIHL kan köpas hos en STIHL-återförsäljare.

22 Kassering

22.1 Kassera motorlie, batteri och laddare

Information om återvinning kan fås av en STIHL-återförsäljare.

- ▶ Kassera motorlien, svärdet, sågkedjan, batteriet, laddaren, tillbehören och emballaget enligt gällande miljöbestämmelser.

23 EU-försäkran om överensstämmelse

23.1 Grenkap STIHL GTA 26

ANDREAS STIHL AG & Co. KG
Badstraße 115
D-71336 Waiblingen
Tyskland

intygar på eget ansvar att

- Konstruktion: batteridriven grenkap
- Fabrikat: STIHL
- Typ: GTA 26
- Serieidentifiering: GA01

uppfyller bestämmelserna i direktiv 2011/65/EU, 2006/42/EG, 2014/30/EU samt 2000/14/EG och har utvecklats och tillverkats i överensstämmelse med de versioner av följande standarder som gällde vid produktionsdatumet: EN 55014-1, EN 55014-2, EN 62841-1.

EG-typkontrollen enligt direktiv 2006/42 / EG, artikel 12.3(b) genomfördes vid: VDE Prüf- u. Zertifizierungsinstitut (NB 0366), Merianstraße 28, 63069 Offenbach, Tyskland

– Certifieringsnummer: 40050017

Beräkning av uppmätt och garanterad ljudeffektnivå har gjorts enligt direktiv 2000/14/EG, bilaga V.

- Uppmätt ljudeffektnivå: 88 dB(A)
- Garanterad ljudeffektnivå: 90 dB(A)


Den tekniska dokumentationen förvaras hos avdelningen för produktgodkännande hos ANDREAS STIHL AG & Co. KG.

Tillverkningsår, tillverkningsland samt serienummer står på grenkapen.

Waiblingen, 2020-02-03

ANDREAS STIHL AG & Co. KG

enligt fullmakt



Dr. Jürgen Hoffmann, chef för produktdata, produktföreskrifter och godkännande

23.2 Information om EG-överensstämmelse för laddaren STIHL AL 1

Den här laddaren tillverkas och säljs enligt följande direktiv: 2014/35/EU, 2014/30/EU och 2011/65/EU.

Tillverkningsår, tillverkningsland samt serienummer anges på laddaren.

En komplett EG-försäkran om överensstämmelse kan fås av ANDREAS STIHL AG & Co. KG, Badstraße 115, 71336 Waiblingen, Tyskland.

24 Allmänna säkerhetsanvisningar för elverktyg

24.1 Inledning

I det här kapitlet återges de allmänna säkerhetsbestämmelserna i standarden EN/IEC 62841 för elektriska handverktyg.

STIHL är skyldiga att återge dessa texter.

Säkerhetsbestämmelserna i "Elektrisk säkerhet" för att förhindra elektrisk stöt gäller inte för STIHLs batteridrivna produkter.

VARNING

Läs alla säkerhetsanvisningar, instruktioner, illustrationer och tekniska data som medföljer detta elverktyg. Om de efterföljande anvisningarna inte följs kan det leda till elektrisk stöt, brand och/eller allvarliga skador. **Spara alla säkerhetsbestämmelser och anvisningar.**

Begreppet "elektriskt verktyg" som används i säkerhetsbestämmelserna avser elektriska verktyg som drivs med nätström (med strömkabel) eller batteridrivna elektriska verktyg (utan strömkabel).

24.2 Säkerhet på arbetsplatsen

- Håll arbetsplatsen ren och väl upplyst.** Oordning eller dåligt belysta arbetsområden kan leda till olyckor.
- Arbeta inte med det elektriska verktyget i explosionsfarlig miljö där det finns brännbara vätskor, gaser eller damm.** Elektriska verktyg genererar gnistor som kan antända damm eller ångor.
- Håll barn och andra borta från det elektriska verktyget när det används.** Om din uppmärksamhet avleds kan du förlora kontrollen över maskinen.

24.3 Elektrisk säkerhet

- Kontakten på det elektriska verktyget måste passa i eluttaget. Kontakten får inte modifieras på något sätt. Använd inga adapterar med skyddsjordade elektriska verktyg.** Intakta kontakter och passande eluttag minskar risken för en elektrisk stöt.
- Undvik kroppskontakt med jordade ytor som rör, element, spisar och kylskåp.** Risken för elektrisk stöt är högre om din kropp är jordad.
- Skydda elektriska verktyg mot regn och väta.** Om det kommer in vatten i elektriska verktyg ökar risken för en elektrisk stöt.
- Använd inte kabeln för att bära eller hänga upp verktyget och dra inte i den för att dra ut kontakten ur eluttaget. Låt inte kabeln komma i kontakt med värme, olja, vassa kanter eller rörliga maskindelar.** Skadade eller tvinnade kablar ökar risken för en elektrisk stöt.
- Använd bara förlängningskablar som är avsedda för utomhusbruk när elektriska verktyg används utomhus.** När förlängningskablar som är avsedda för utomhusbruk används minskar risken för en elektrisk stöt.
- Använd en jordfelsbrytare om det elektriska verktyget måste användas i fuktig miljö.** En jordfelsbrytare minskar risken för en elektrisk stöt.

24.4 Personsäkerhet

- Var uppmärksam, titta på det du gör och var förståndig när du arbetar med ett elektriskt verktyg. Använd inte elektriska verktyg när du är trött eller är påverkad av droger, alkohol eller läkemedel.** Bara ett ögonblicks uppmärksamhet kan leda till allvarliga skador.
- Använd alltid personlig skyddsutrustning och skyddsglasögon.** Skyddsutrustning som andningsmask, halkfria säkerhetsskor, skyddshjälm eller hörselskydd minskar risken för skador, beroende på typen av verktyg och hur det används.
- Se till att verktyget inte kan kopplas in av misstag. Kontrollera att verktyget är avstängt innan du ansluter det till strömförsörjningen och/eller batteriet, lyfter upp det**

eller bär det. Om du håller fingret på strömbrytaren när verktyget bärs eller ansluter det till strömmen när det är på kan det leda till olyckor.

- d) **Ta bort inställningsverktyg eller skruvmejslar innan verktyget sätts på.** Ett verktyg eller en nyckel/mejsel som sitter i en roterande del kan orsaka skador.
- e) **Undvik en onormal kroppshållning. Se till att stå stadigt och balanserat.** Verktyget kan då kontrolleras bättre i oväntade situationer.
- f) **Använd lämpliga kläder. Använd inte vida kläder eller smycken. Håll hår och kläder borta från rörliga delar.** Lösa kläder, smycken eller långt hår kan fastna i rörliga delar.
- g) **Om dammsugare och uppsamlare kan monteras ska de anslutas och användas korrekt.** Om en dammsugare används kan det minska riskerna i samband med damm.
- h) **Invagga dig inte i en falsk känsla av säkerhet och bryt inte mot säkerhetsbestämmelserna för elektriska verktyg, även om du är van att arbeta med verktyget.** Vårslöst handlande kan leda till allvarliga skador på några få sekunder.

24.5 Användning och hantering av elektriska verktyg

- a) **Överbelasta inte verktyget. Använd rätt verktyg för arbetet.** Med rätt verktyg arbetar du bättre och säkrare i rätt effektområde.
- b) **Använd inte verktyg vars strömbrytare är defekt.** Ett elektriskt verktyg som inte kan sättas på och stängas av är farligt och måste repareras.
- c) **Dra ut kontakten ur eluttaget och/eller ta ut batteriet innan du gör inställningar, byter verktygsdelar eller lägger ner verktyget.** Det förhindrar att verktyget plötsligt kan starta.
- d) **Förvara elektriska verktyg som inte används utom räckhåll för barn. Låt inte personer som inte känner till verktyget och som inte har läst de här anvisningarna använda det.** Elektriska verktyg är farliga om de används av oerfarna.
- e) **Ta hand om elektriska verktyg och tillbehör noggrant. Kontrollera att rörliga delar fungerar felfritt och inte har fastnat eller går trögt och om det finns avbrutna eller**

skadade delar som påverkar funktionen. Lämna in verktyget för reparation av skadade delar innan det används. Många olyckor beror på dåligt underhållna verktyg.

- f) **Håll skärverktyg vassa och rena.** Välskötta skärverktyg med vassa egggar går lättare och är lättare att styra.
- g) **Använd elektriska verktyg, arbetsverktyg osv. enligt de här anvisningarna. Observera arbetsförhållandena och arbetet som ska utföras.** Om elektriska verktyg används för andra syften än de avsedda kan det leda till farliga situationer.
- h) **Håll handtag och greppytor torra, rena och fria från olja och fett.** Hala handtag och greppytor leder till osäker hantering och dålig kontroll av verktyget i oförutsedda situationer.

24.6 Användning och hantering av batteridrivna verktyg

- a) **Ladda bara batterierna med laddare som rekommenderas av tillverkaren.** En laddare som är avsedd för en viss typ av batteri kan orsaka brand om den används till andra batterier.
- b) **Använd bara rätt typ av batterier i elektriska verktyg.** Andra batterier kan orsaka skador och brand.
- c) **Ha inte oanvända batterier i närheten av gem, mynt, nycklar, spik, skruv eller andra små metalldelar som kan överbrygga kontaktarna.** En kortslutning mellan batterikontaktarna kan orsaka brännskador eller brand.
- d) **Vid felaktig användning kan batterivätska läcka ut. Undvik kontakt med den. Skölj med vatten om du kommer i kontakt med batterivätska. Uppsök läkare om du får batterivätska i ögonen.** Batterivätska som läcker ut kan orsaka hudirritation och brännskador.
- e) **Använd inte skadade eller ändrade batterier.** Skadade eller ändrade batterier kan bete sig oväntat och orsaka brand, explosion eller skador.
- f) **Utsätt inte batterier för eld eller höga temperaturer.** Eld eller temperaturer över 130 °C (265 °F) kan leda till explosion.

- g) **Följ alla anvisningar om laddning och ladda inte batteriet eller det batteridrivna verktyget utanför temperaturområdet som anges i bruksanvisningen.** Felaktig laddning eller laddning utanför det tillåtna temperaturområdet kan förstöra batteriet och öka brandrisken.

24.7 Service

- a) **Låt bara kvalificerad personal reparera verktyget med originaldelar.** Därmed är verktyget säkert att använda.
- b) **Underhåll inte skadade batterier.** Allt underhåll av batterier får bara utföras av tillverkaren eller auktoriserade serviceverkstäder.

Sisällysluettelo

1	Alkusanat	107	7.1	Terälevyn ja teräketjun irrottaminen ja asentaminen	123
2	Tietoja tästä käyttöohjeesta	107	7.2	Teräketjun kiristäminen	124
2.1	Voimassa olevat asiakirjat	107	7.3	Teräketjun rasvaaminen	124
2.2	Tekstin sisältämien varoitusten merkitseminen	107	8	Akun asentaminen ja irrottaminen	125
2.3	Tekstissä käytetyt symbolit	107	8.1	Akun sijoittaminen laitteeseen	125
3	Yleiskuva	108	8.2	Akun poistaminen	125
3.1	Puu- ja pensaskasvien leikkuri, akku ja latauslaite	108	9	Puu- ja pensaskasvien leikkurin virran kytkeminen ja katkaiseminen	125
3.2	Symbolit	109	9.1	Puu- ja pensaskasvien leikkurin virran kytkeminen	125
4	Turvallisuusohjeet	110	9.2	Virran katkaiseminen puu- ja pensaskasvien leikkurista	126
4.1	Varoitusmerkit	110	10	Puu- ja pensaskasvien leikkurin ja akun tarkastaminen	126
4.2	Käyttötarkoitus	110	10.1	Ketjupyörän tarkastus	126
4.3	Käyttäjälle asetettavat vaatimukset	111	10.2	Terälevyn tarkastaminen	126
4.4	Vaatetus ja varustus	112	10.3	Teräketjun tarkastaminen	126
4.5	Työskentelyalue ja ympäristö	112	10.4	Suojakuvun tarkastaminen	127
4.6	Turvallinen toimintakunto	114	10.5	Hallintalaitteiden tarkastus	127
4.7	Työskentely	116	10.6	Akun tarkastus	128
4.8	Reaktiivoimat	117	11	Työskentely puu- ja pensaskasvien leikkurilla	128
4.9	Lataaminen	117	11.1	Puu- ja pensaskasvien leikkurin pitäminen ja ohjaaminen	128
4.10	Sähköliitännän yhdistäminen	117	11.2	Leikkaaminen	128
4.11	Kuljettaminen	119	12	Työskentelyn jälkeen	128
4.12	Säilytys	120	12.1	Työskentelyn jälkeen	128
4.13	Puhdistus, huolto ja korjaus	120	13	Kuljettaminen	129
5	Puu- ja pensaskasvien leikkurin käyttöön valmistelu	121	13.1	Puu- ja pensaskasvien leikkurin kuljettaminen	129
5.1	Puu- ja pensaskasvien leikkurin käyttöön valmistelu	121	13.2	Akun kuljettaminen	129
6	Akun lataaminen ja LED-valot	121	13.3	Laturin kuljettaminen	129
6.1	Laturin asennus seinään	121	14	Säilytys	129
6.2	Akun lataaminen	122	14.1	Puu- ja pensaskasvien leikkuri säilytys	129
6.3	Lataustilan tarkastaminen	122	14.2	Akun säilyttäminen	129
6.4	Puu- ja pensaskasvien leikkurin LED-merkkivalot	123			
6.5	Laturin LED-valo	123			
7	Puu- ja pensaskasvien leikkurin kokoaminen	123			

STIHL

Tämä käyttöohje on tekijänoikeudellisesti suojattu. Kaikki oikeudet pidätetään, erityisesti jäljennys-, käännös- ja elektroniset käsittelyoikeudet.

14.3 Laturin säilytys	130	24.3 Sähköturvallisuus	139
15 Puhdistaminen	130	24.4 Henkilöturvallisuus	140
15.1 Puu- ja pensaskasvien leikkurin puhdistaminen	130	24.5 Sähkötyökalun käyttö ja käsittely	140
15.2 Terälevyn ja teräketjun puhdistaminen	130	24.6 Akkukäyttöisen työkalun käyttö ja käsittely	141
15.3 Akun puhdistus	130	24.7 Huolto	141
15.4 Laturin puhdistus	130		
16 Huoltaminen	131		
16.1 Teräketjun teroittaminen	131		
17 Korjaaminen	131		
17.1 Puu- ja pensaskasvien leikkurin, akun ja laturin korjaaminen	131		
18 Häiriöiden poistaminen	132		
18.1 Puu- ja pensaskasvien leikkurin, terälevyn tai teräketjun tai akun häiriöiden poistaminen	132		
18.2 Laturin häiriöiden poistaminen	133		
19 Tekniset tiedot	135		
19.1 Puu- ja pensaskasvien leikkuri STIHL GTA 26	135		
19.2 Ketjupyörät	135		
19.3 Terälevyjen vähimmäisurasyvyys	135		
19.4 Akku STIHL AS	135		
19.5 Laturi STIHL AL 1	135		
19.6 Jatkokaapelit	135		
19.7 Melu- ja värinäarvot	135		
19.8 REACH-asetus	136		
20 Terälevyjen ja teräketjujen yhdistelmät	137		
20.1 Puu- ja pensaskasvien leikkuri STIHL GTA 26	137		
21 Varaosat ja varusteet	138		
21.1 Varaosat ja varusteet	138		
22 Hävittäminen	138		
22.1 Puu- ja pensaskasvien leikkurin, akun ja laturin hävittäminen	138		
23 EU-vaatimustenmukaisuusvakuutus	138		
23.1 Puu- ja pensaskasvien leikkuri STIHL GTA 26	138		
23.2 Laturin STIHL AL 1 vaatimustenmukaisuutta koskeva huomautus	138		
24 Yleisiä turvallisuusohjeita sähkötyökaluille	139		
24.1 Johdanto	139		
24.2 Työkohteen turvallisuus	139		


1 Alkusanat

Arvoisa asiakas,

kiitämme sinua STIHLin tuotteen valinnasta! STIHL kehittää ja valmistaa huippuluokan tuotteita pitäen suunnittelun lähtökohtana asiakkaidensa tarpeita. Näin pystymme tarjoamaan asiakkaillemme tuotteita, jotka toimivat luotettavasti myös äärimmäisen vaativissa olosuhteissa.

STIHL tunnetaan myös erinomaisesta asiakaspalvelustaan. Jälleenmyyjämme huolehtivat sekä asiantuntevasta neuvonnasta ja opastuksesta että kattavien teknisten palvelujen tarjoamisesta.

Kiitämme sinua STIHLiä kohtaan osoittamastasi luottamuksesta. Toivomme, että olet tyytyväinen hankkimaasi STIHL-tuotteeseen.



Dr. Nikolas Stihl

TÄRKEÄÄ! LUE OPAS ENNEN KÄYTTÖÄ JA SÄILYTÄ SE VASTAISTA KÄYTTÖÄ VARTEN.

2 Tietoja tästä käyttöohjeesta

2.1 Voimassa olevat asiakirjat

Paikallisia turvallisuusohjeita on noudatettava.

- Lue tämän käyttöohjeen lisäksi myös seuraavat oppaat varmistaen, että olet ymmärtänyt kyseisten oppaiden sisällön, ja säilytä nämä asiakirjat vastaisen käytön varalle:

- Tietoa monikäyttö-öljystä STIHL Multioil Bio: www.stihl.com/safety-data-sheets
- STIHL-akkuja ja kiinteästi asennetuilla akuilla varustettuja tuotteita koskevia turvallisuustietoja: www.stihl.com/safety-data-sheets

2.2 Tekstin sisältämien varoitusten merkitseminen

VAARA

Tämä teksti muistuttaa vaaroista, jotka johtavat vakavaan loukkaantumiseen tai jopa kuolemaan.

- Tekstissä mainittujen toimenpiteiden avulla on mahdollista välttää vakava loukkaantuminen tai jopa kuolema.

VAROITUS

Tämä teksti muistuttaa vaaroista, jotka **voivat** johtaa vakavaan loukkaantumiseen tai jopa kuolemaan.

- Tekstissä mainittujen toimenpiteiden avulla on mahdollista välttää vakava loukkaantuminen tai jopa kuolema.

HUOMAUTUS

Tämä teksti muistuttaa vaaroista, jotka voivat johtaa esinevahinkoihin.

- Tekstissä mainittujen toimenpiteiden avulla on mahdollista välttää esinevahingot.

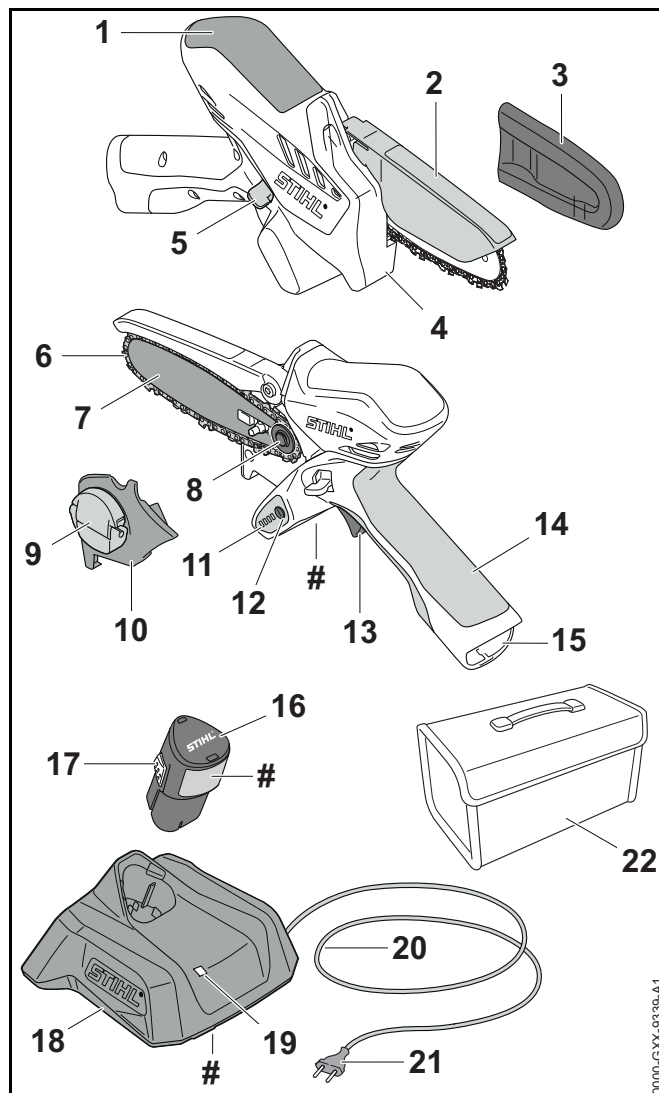
2.3 Tekstissä käytetyt symbolit



Tämä merkki viittaa johonkin tämän käyttöohjeen lukuun.

3 Yleiskuva

3.1 Puu- ja pensaskasvien leikkuri, akku ja latauslaite



1 Tartuntakohdat

Tartuntakohtaa käytetään puu- ja pensaskasvien leikkurin pitämiseen ja ohjaamiseen.

2 Suojakupu

Suojakupu suojaa käyttäjää teräketjun koskettamiselta.

3 Teräketjun suojus

Teräketjun suojus suojaa käyttäjää teräketjun koskettamiselta.

4 Vaste

Vaste tukee puu- ja pensaskasvien leikkurin työskentelyn aikana puuta vasten.

5 Lukitusvipu

Lukitusvipu avaa kytkentävivun lukituksen.

6 Teräketju

Teräketju leikkaa puun.

7 Terälevy

Terälevy ohjaa teräketjun kulkua.

8 Vetopyörä

Vetopyörä liikuttaa teräketjua.

9 Siipimutteri

Purukoppa kiinnitetään puu- ja pensaskasvien leikkurin runkoon siipimutterin avulla.

10 Purukoppa

Purukoppa toimii vetopyörän suojuksena ja yhdistää terälevyn puu- ja pensaskasvien leikkurin runkoon.

11 LED-valot

LED-valot ilmaisevat akun varaustilan ja akun häiriöt.

12 Painike

Tämä painike aktivoi puu- ja pensaskasvien leikkurin LED-merkkivalot.

13 Kytchentävipu

Kytchentävipua käytetään puu- ja pensaskasvien leikkurin käynnistämiseen ja pysäyttämiseen.

14 Takakahva

Käyttökahva on tarkoitettu puu- ja pensaskasvien leikkurin käyttöön, pitämiseen ja sen ohjaamiseen.

15 Akkulokero

Akkulokero toimii akun säilytystilana.

16 Akku

Akku toimii puu- ja pensaskasvien leikkurin energialähteenä.

17 Lukitushaka

Lukitushaka lukitsee akun akkulokeroon.

18 Latauslaite

Latauslaite huolehtii akun lataamisesta.

19 LED-valo

LED-valo ilmaisee latauslaitteen tilan.

20 Liitiskaapeli

Liitiskaapeli yhdistää latauslaitteen verkkopistokkeeseen.

21 Verkkopistoke

Verkkopistoke yhdistää liitiskaapelin pistorasiaan

22 Laukku

Laukku on tarkoitettu puu- ja pensaskasvien leikkurin, akun ja latauslaitteen kuljetukseen ja säilytykseen. Laukku sisältyy vain sarjan (sisältäen puu- ja pensaskasvien leikkurin, akun ja latauslaitteen) toimitukseen.

Koneen numerolla varustettu arvokilpi**3.2 Symbolit**

Puu- ja pensaskasvien leikkuri, akku ja latauslaite voi olla varustettu merkivaloilla. Näiden merkitykset ovat seuraavat:



Tämä merkki ilmaisee teräketjun kulkusuunnan.



LED-valo palaa yhtäjaksoisesti tai vilkkuu vihreänä. Akun lataaminen on käynnissä.



Punainen LED-valo vilkkuu. Akun ja latauslaitteen välillä ei ole sähköistä yhteyttä tai akussa tai latauslaitteessa esiintyy häiriöitä.



Laitteeseen hyväksytyn terälevyn pituus.



L_{WA} Taattu äänenpainetaso dB(A) direktiivin 2000/14/EY mukaan. Direktiivissä määriteltyä mittaomenetelmää noudattamalla on mahdollista vertailla keskenään erilaisten tuotteiden melupäästöjä.



Symbolin vieressä oleva arvo ilmoittaa kennovalmistajan määritelmän mukaisen akun energiasisällön. Käyttötilanteessa käytettävissä oleva energiasisältö on tätä pienempi.



Käytä sähkölaitetta suljetussa ja kuivassa tilassa.



Älä hävitä tuotetta talousjätteen mukana.



Lue käyttöohje ja varmista, että olet ymmärtänyt sen sisällön ja säilytä se myöhempää käyttöä varten.

4 Turvallisuusohjeet

4.1 Varoitusmerkit

Puu- ja pensaskasvien leikkuri, akku tai laturi on varustettu varoitussymboleilla. Näiden merkitykset ovat seuraavat:



Noudata turvallisuusohjeita ja toimi niiden sisältämien ohjeiden mukaisesti.



Lue käyttöohje ja varmista, että olet ymmärtänyt sen sisällön. Säilytä käyttöohje myöhempää käyttöä varten.



Käytä suojalaseja.



Pidä puu- ja pensaskasvien leikkurista kiinni molemmin käsin.



Älä koske liikkuvaan teräketjuun.



Poista akku työtaukojen sekä laitteen kuljettamisen, säilytyksen, huollon ja korjauksen ajaksi.



Suojaa puu- ja pensaskasvien leikkuri ja laturi sateelta ja kosteudelta.



Suojaa akku kuumuudelta ja avotulelta.



Suojaa akku sateelta ja kosteudelta äläkä upota akkua nesteisiin.

4.2 Käyttötarkoitus

Puu- ja pensaskasvien leikkuria STIHL GTA 26 käytetään puun leikkaamiseen.

Puu- ja pensaskasvien leikkuria ei saa käyttää sateessa. STIHL AS akku toimii puu- ja pensaskasvien leikkurin energialähteenä.

Laturi STIHL AL 1 huolehtii akun STIHL AK lataamisesta.

▲ VAROITUS

- Muiden kuin STIHLin puu- ja pensaskasvien leikkuriin käytettäväksi hyväksytyjen laturien ja akkujen käyttö voi aiheuttaa tulipalon tai räjähdyksen. Seurauksena voi olla vakava tai jopa hengenvaarallinen loukkaantuminen ja esinevahinkoja.
 - ▶ Käytä puu- ja pensaskasvien leikkurissa akkua STIHL AP.
 - ▶ Lataa akku STIHL AS laturilla STIHL AL 1.
- Jos puu- ja pensaskasvien leikkuria, akkua tai laturia käytetään niille määritellystä käyttötarkoituksesta poikkeavasti, seurauksena voi olla vakava tai jopa hengenvaarallinen loukkaantuminen ja esinevahinkoja.
 - ▶ Puhdista puu- ja pensaskasvien leikkuri, akku ja laturi tämän käyttöohjeen kuvauksen mukaisesti.

4.3 Käyttäjälle asetettavat vaatimukset

▲ VAROITUS

- Käyttäjä ei pysty tunnistamaan eikä arvioimaan puu- ja pensaskasvien leikkuriin, akkuun ja laturiin liittyviä vaaroja, ellei hän ei ole saanut asianmukaista perehdytystä laitteen käyttöön. Käyttäjä itse tai sivulliset saattavat loukkaantua vakavasti tai jopa hengenvaarallisesti.



- ▶ Lue käyttöohje ja varmista, että olet ymmärtänyt käyttöohjeen sisällön ja säilytä se myöhempää käyttöä varten.

- ▶ Jos puu- ja pensaskasvien leikkuri, akku tai laturi luovutetaan toiselle henkilölle: anna käyttöohjeet mukaan.

- ▶ Varmista, että käyttäjä täyttää seuraavat vaatimukset:
 - Käyttäjä on levännyt.
 - Käyttäjä pystyy fyysisten, aistinvaraisten ja henkisten kykyjensä puolesta käyttämään puu- ja pensaskasvien leikkuria, akkua ja laturia sekä siten työskentelemään näiden laitteiden avulla. Jos käyttäjän fyysiset, aistinvaraiset tai henkiset kyvyt rajoittavat laitteen käyttöä, käyttäjä saa käyttää laitetta ainoastaan vastuuhenkilön valvonnassa ja opastuksella.
 - Käyttäjä voi tunnistaa ja arvioida puu- ja pensaskasvien leikkuriin, akkuun ja laturiin liittyviä vaaroja.
 - Käyttäjä on täysi-ikäinen tai käyttäjä on saanut kansallisten määräysten mukaisen valvotun ammattiopastuksen.
 - Käyttäjä on saanut STIHL-erikoisliikkeeltä tai joltakin muulta asiantuntevalta henkilöltä perehdytyksen puu- ja pensaskasvien leikkurin käyttöön, ennen kuin hän käyttää sitä ja laturia ensimmäisen kerran.
 - Käyttäjä ei ole alkoholin, lääkkeiden tai huumeainesten vaikutuksen alainen.
- ▶ Jos jokin asia on jäänyt sinulle epäselväksi: ota yhteyttä STIHL-erikoisliikkeeseen.

4.4 Vaatetus ja varustus

⚠ VAROITUS

- Työskentelyn aikana pitkät hiukset saattavat tulla joutua puu- ja pensaskasvien leikkurin sisään. Käyttäjä voi loukkaantua vakavasti.
 - ▶ Sido pitkät hiukset yhteen ja varmista, että ne ovat olkapäiden yläpuolella.
- Erilaiset sirut ja kappaleet saattavat sinkoutua työskentelyn aikana ilmaan suurella nopeudella. Käyttäjä voi loukkaantua.



- ▶ Käytä tiiviisti istuvia suojalaseja. Sopivat suojalaseit on testattu standardin EN 166 tai kansallisten määräysten mukaisesti ja ne ovat saatavana kaupassa vastaavilla merkinnöillä.

- ▶ Käytä pitkiä housuja.
- Putoavat esineet voivat aiheuttaa päävammoja.
 - ▶ Jos esineitä saattaa pudota työskentelyn aikana: käytä suojakypärää.
- Työskentelyn aikana ilmaan saattaa nousta pölyä. Sisään hengitetty pöly voi olla haitallista terveydelle ja aiheuttaa allergisia reaktioita.
 - ▶ Jos muodostuu pölyä: käytä pölysuojainta.
- Työskentelyyn sopimaton vaatetus saattaa takertua kiinni puustoon, risuihin ja puu- ja pensaskasvien leikkuriin. Käyttäjä voi loukkaantua vakavasti, mikäli hän ei ole pukeutunut sopivaan työskentelyvaatetukseen.
 - ▶ Käytä tiukasti kehoa vasten istuvaa vaatetusta.
 - ▶ Riisu huivit ja korut yltäsi.

- Käyttäjä voi saada viiltohaavoja työskennellessään puun kanssa. Puhdistus- tai huoltotöiden aikana käyttäjä voi joutua kosketuksiin teräketjun kanssa. Käyttäjä voi loukkaantua.
 - ▶ Käytä kestävästä materiaalista valmistettuja työvälineitä.
- Käyttäjä voi liukastua, mikäli hän ei käytä sopivia työskentelyjalkineita. Käyttäjä voi loukkaantua.
 - ▶ Käytä tukevia, umpinaisia ja karkeapohjaisia jalkineita.

4.5 Työskentelyalue ja ympäristö

4.5.1 Puu- ja pensaskasvien leikkuri

⚠ VAROITUS

- Sivulliset, lapset ja eläimet eivät kykene tunnistamaan eivätkä arvioimaan puu- ja pensaskasvien leikkurista ja ilmaan nousevista kappaleista aiheutuvia vaaroja. Sivulliset, lapset ja eläimet saattavat loukkaantua vakavasti, minkä lisäksi seurauksena voi olla esinevahinkoja.
 - ▶ Pidä sivulliset, lapset ja eläimet loitolla työskentelyalueesta.
 - ▶ Älä jätä puu- ja pensaskasvien leikkuria valvomatta.
 - ▶ Varmista, että lapset eivät voi leikkiä puu- ja pensaskasvien leikkurilla.
- Puu- ja pensaskasvien leikkuri on liian kuuma. Seurauksena voi olla sähköiskuja, mikäli laitteella työskennellään sateessa tai kosteassa ympäristössä. Tästä voi olla seurauksena sekä käyttäjän loukkaantuminen että puu- ja pensaskasvien leikkurin vaurioituminen.



- ▶ Älä työskentele sateessa äläkä kosteassa ympäristössä.

- Puu- ja pensaskasvien leikkurin sähköosat voivat synnyttää kipinöitä. Kipinät voivat aiheuttaa helposti syttyvässä tai räjähdysalttiissa ympäristössä tulipalon ja räjähdyksen. Seurauksena voi olla vakava tai jopa hengenvaarallinen loukkaantuminen ja esinevahinkoja.
 - ▶ Älä työskentele helposti syttyvässä tai räjähdysalttiissa ympäristössä.

4.5.2 Akku

⚠ VAROITUS

- Sivulliset, lapset ja eläimet eivät kykene tunnistamaan eivätkä arvioimaan akusta aiheutuvia vaaroja. Sivulliset, lapset ja eläimet saattavat loukkaantua vakavasti.
 - ▶ Pidä sivulliset, lapset ja eläimet loitolla.
 - ▶ Älä jätä akkua valvomatta.
 - ▶ Varmista, että lapset eivät voi leikkiä akulla.
- Akkua ei ole suojattu kaikilta ympäristötekijöiltä. Akku saattaa syttyä tuleen tai räjähtää altistuttuaan eräille ympäristötekijöille. Seurauksena voi olla vakava loukkaantuminen ja esinevahinkoja.



- ▶ Suojaa akku kuumuudelta ja avotulelta.
- ▶ Älä heitä akkua tuleen.

- ▶ Käytä ja säilytä akkua lämpötila-alueella - 20 °C ...+50 °C.



- ▶ Suojaa akku sateelta ja kosteudelta äläkä upota akkua nesteisiin.

- ▶ Pidä akku erossa metalliesineistä.
- ▶ Älä altista akkua suurelle paineelle.
- ▶ Älä altista akkua mikroaalloille.
- ▶ Suojaa akku kemikaaleilta ja suoloilta.

4.5.3 Laturi

⚠ VAROITUS

- Sivulliset ja lapset eivät kykene tunnistamaan eivätkä arvioimaan laturista ja sähkövirrasta aiheutuvia vaaroja. Sivulliset, lapset ja eläimet saattavat loukkaantua vakavasti tai kuolla.
 - ▶ Pidä sivulliset, lapset ja eläimet loitolla.
 - ▶ Varmista, että lapset eivät voi leikkiä laturilla.
- Laturi ei ole vesitiivis. Seurauksena voi olla sähköisku, mikäli laitteella työskennellään sateessa tai kosteassa ympäristössä. Tästä voi olla seurauksena käyttäjän loukkaantuminen ja laturin vaurioituminen.



- ▶ Älä käytä laitetta sateessa äläkä kosteassa ympäristössä.

- Laturia ei ole suojattu kaikilta ympäristön vaikutuksilta. Eräille ympäristön vaikutuksille altistunut laturi saattaa syttyä tuleen tai räjähtää. Seurauksena voi olla vakava loukkaantuminen ja esinevahinkoja.
 - ▶ Käytä laturia suljetussa ja kuivassa tilassa.
 - ▶ Älä käytä laturia helposti syttyvässä tai räjähdysalttiissa ympäristössä.
 - ▶ Älä käytä laturia helposti syttyvällä alustalla.
 - ▶ Käytä ja säilytä laturia lämpötila-alueella - 20 °C ... + 50 °C.
- Liitoskaapeliin voi kompastua. Tästä voi olla seurauksena sekä loukkaantuminen että laturin vaurioituminen.
 - ▶ Sijoita liitoskaapeli siten, että se kulkee kauttaaltaan lattiaa pitkin.

4.6 Turvallinen toimintakunto

4.6.1 Puu- ja pensaskasvien leikkuri

Puu- ja pensaskasvien leikkuri on turvallisessa toimintakunnossa, jos seuraavat edellytykset täyttyvät:

- Puu- ja pensaskasvien leikkuri on vaurioitumaton.
- Puu- ja pensaskasvien leikkuri on puhdas ja kuiva.
- Suojakupu on asennettu.
- Suojakupu on ehjä ja muuttumaton.
- Hallintalaitteet toimivat moitteettomasti, eikä hallintalaitteisiin ole tehty muutoksia.
- Teräketju on voideltu.
- Vetopyörän kulumisurien syvyys on enintään 0,5 mm.
- Laitteeseen on asennettu jokin tässä käyttöohjeessa ilmoitettu terälevyn ja teräketjun yhdistelmä.
- Terälevy ja teräketju on asennettu oikein.
- Teräketju on kiristetty oikein.
- Puu- ja pensaskasvien leikkuriin on asennettu ainoastaan siihen tarkoitettuja alkuperäisiä STIHL-varusteita.
- Varusteet on asennettu oikein.


▲ VAROITUS

- Jos laite ei ole turvallisessa toimintakunnossa, osat saattavat toimia virheellisesti. Myös turvalaitteet saattavat tällöin lakata toimimasta. Tämä voi johtaa vakavaan tai hengenvaaralliseen loukkaantumiseen.
 - ▶ Käytä puu- ja pensaskasvien leikkuria vain, jos se on ehjä.
 - ▶ Jos puu- ja pensaskasvien leikkuri on likainen tai märkä: puhdista puu- ja pensaskasvien leikkuri anna kuivua.
 - ▶ Älä muuta puu- ja pensaskasvien leikkuria. Poikkeus: jonkin tässä käyttöohjeessa ilmoitetun terälevyn ja teräketjun yhdistelmän asentaminen.
 - ▶ Käytä puu- ja pensaskasvien leikkuria vain, kun suojakupu on asennettu.

- ▶ Jos suojakansi on vaurioitunut tai muuttunut: älä työskentele puu- ja pensaskasvien leikkuria.
- ▶ Jos hallintalaitteet eivät toimi: älä käytä puu- ja pensaskasvien leikkuria.
- ▶ Asenna puu- ja pensaskasvien leikkuriin ainoastaan siihen tarkoitettuja alkuperäisiä STIHL-varusteita.
- ▶ Asenna terälevy ja teräketju tämän käyttöohjeen mukaisesti.
- ▶ Asenna varusteet käyttöohjeen tai lisävarusteen käyttöohjeen mukaisesti.
- ▶ Älä työnnä esineitä puu- ja pensaskasvien leikkurissa oleviin aukkoihin.
- ▶ Uusi kuluneet tai vaurioituneet ohjekilvet.
- ▶ Jos jokin asia on jäänyt sinulle epäselväksi: ota yhteyttä STIHL-erikoisliikkeeseen.

4.6.2 Terälevy

Terälevy on turvallisessa toimintakunnossa, jos seuraavat edellytykset täyttyvät:

- Terälevy on ehjä.
- Terälevy ei ole vääntynyt.
- Uran syvyys on vähintään vähimmäisurasyvyyden suurin,  19.3.
- Ura ei ole kaventunut tai väljentynyt.

▲ VAROITUS

- Terälevy ei pysty enää ohjaamaan teräketjun kulkua asianmukaisesti, mikäli terälevy ei ole turvallisessa toimintakunnossa. Pyörivä teräketju saattaa hypätä pois terälevyn päältä. Tämä voi johtaa vakavaan tai jopa hengenvaaralliseen loukkaantumiseen.
 - ▶ Käytä työskentelyyn vain ehjää terälevyä.
 - ▶ Jos uran syvyys on vähimmäisurasyvyyttä pienempi: vaihda terälevy.
 - ▶ Jos jokin asia on jäänyt sinulle epäselväksi: ota yhteyttä STIHL-erikoisliikkeeseen.

4.6.3 Teräketju

Teräketju on turvallisessa toimintakunnossa, jos seuraavat edellytykset täyttyvät:

- Teräketju on ehjä.
- Teräketju on teroitettu oikein.
- Leikkuehjoissa olevat kulumismerkinnät ovat näkyvissä.

⚠ VAROITUS

- Jos laite ei ole turvallisessa toimintakunnossa, komponentit saattavat toimia virheellisesti. Myös turvalaitteet saattavat tällöin lakata toimimasta. Tämä voi johtaa vakavaan tai jopa hengenvaaralliseen loukkaantumiseen.
 - ▶ Käytä työskentelyyn vain ehjää teräketjua.
 - ▶ Teroita teräketju oikein.
 - ▶ Jos jokin asia on jäänyt sinulle epäselväksi: ota yhteyttä STIHL-erikoisliikkeeseen.

4.6.4 Akku

Akku on käyttökuntoinen, kun seuraavat edellytykset täyttyvät:

- Akku ei ole vahingoittunut
- Akku on puhdas ja kuiva.
- Akku toimii, eikä siihen ole tehty muutoksia.

⚠ VAROITUS

- Ellei akku ole käyttökuntoinen, se ei ehkä toimi turvallisesti. Henkilöille voi aiheutua vakavia vammoja.
 - ▶ Käytä ainoastaan ehjää ja toimivaa akkua.
 - ▶ Älä lataa vahingoittunutta tai viallista akkua.
 - ▶ Jos akku on likainen tai märkä, puhdista se ja anna sen kuivua
 - ▶ Älä tee muutoksia akkuun.
 - ▶ Älä työnnä mitään esineitä akun aukkoihin.

- ▶ Älä päästä akun sähköliittimiä kosketuksiin metalliesineiden kanssa, sillä seurauksena voi olla oikosulku.
- ▶ Älä avaa akkua.
- ▶ Kuluneet tai vialliset ohjekilvet on vaihdettava.
- Viallisesta akusta voi vuotaa nestettä. Jos nestettä pääsee iholle tai silmiin, ne voivat ärsyntyä.
 - ▶ Vältä altistumista nesteelle.
 - ▶ Jos iholle on päässyt nestettä, pese altistuneet ihoalueet runsaalla vedellä ja saippualla.
 - ▶ Jos silmiin on päässyt nestettä, huuhtelee silmiä vähintään 15 minuutin ajan runsaalla vedellä ja hakeudu lääkäriin.
- Vahingoittunut tai viallinen akku voi haista epätavalliselta, savuta tai palaa. Henkilöille voi aiheutua vakavia tai hengenvaarallisia vammoja taikka saattaa syntyä esinevahinkoja.
 - ▶ Jos akku haisee epätavalliselta tai savuaa: Älä käytä akkua ja pidä se etäällä palavista aineista.
 - ▶ Jos akku palaa: Sammuta akku sammuttimella tai vedellä.

4.6.5 Laturi

Laturi on turvallisessa toimintakunnossa, jos seuraavat edellytykset täyttyvät:

- Laturi on ehjä.
- Laturi on puhdas ja kuiva.

⚠ VAROITUS

- Jos laite ei ole turvallisessa toimintakunnossa, osat saattavat toimia virheellisesti. Myös turvalaitteet saattavat tällöin lakata toimimasta. Tämä voi johtaa vakavaan tai jopa hengenvaaralliseen loukkaantumiseen.
 - ▶ Käytä vain ehjää laturia.
 - ▶ Jos laturi on likaantunut tai märkä: puhdista laturi ja anna sen kuivua.
 - ▶ Älä tee laturiin muutoksia.

- ▶ Älä työnnä esineitä laturissa oleviin aukkoihin.
- ▶ Älä yhdistä ja oikosulje laturin sähkökoskettimia metalliesineillä.
- ▶ Älä avaa laturia.

4.7 Työskentely

▲ VAROITUS

- Avun saaminen hätätilanteessa ei ole mahdollista, jos muita henkilöitä ei ole huutoetäisyydellä sinusta.
 - ▶ Varmista, että työskentelyalueen ulkopuolella oleskelee muita henkilöitä, jotka ovat huutoetäisyydellä sinusta.
- Eräissä tilanteissa käyttäjä ei enää pysty työskentelemään keskittyneesti. Käyttäjä voi menettää puu- ja pensaskasvien leikkurin hallinnan, kompastua, kaatua ja loukkaantua vakavasti.
 - ▶ Työskentele rauhallisesti ja harkitusti.
 - ▶ Jos valaistus ja näkyvyys on heikko: älä työskentele puu- ja pensaskasvien leikkurin parissa.
 - ▶ Käytä puu- ja pensaskasvien leikkuria yksin.
 - ▶ Älä työskentele olkapäiden korkeuden yläpuolella.
 - ▶ Kiinnitä huomiota esteisiin.
 - ▶ Työskentele maanpinnalla seisten ja huolehdi tasapainosi säilymisestä. Jos sinun on työskenneltävä korkealla: käytä nostolavaa tai tukevaa telinettä.
 - ▶ Jos tunnet olosi väsyneeksi: pidä tauko työskentelystä.
- Pyörivä teräketju voi aiheuttaa käyttäjälle viiltohaavoja. Käyttäjä voi loukkaantua vakavasti.
 - ▶ Älä kosketa pyörivää teräketjua.
 - ▶ Jos teräketju on juuttunut paikalleen osuttuaan johonkin kappaleeseen: sammuta puu- ja pensaskasvien leikkuri, kytkä ketjujarru ja poista akku. Poista kappale vasta tämän jälkeen.
- Pyörivä teräketju kuumenee ja laajenee. Teräketju saattaa joko hypätä terälevyn päältä tai katketa, mikäli teräketjun voitelu on puutteellista ja mikäli ketjua ei kiristetä riittävästi. Seurauksena voi olla vakava loukkaantuminen ja esinevahinkoja.
 - ▶ Käytä STIHL MultiOil Bio -monikäyttö-öljyä tai vastaavaa, biohajoavaa monikäyttö-öljyä.
 - ▶ Voitele teräketju työskentelyn aikana jokaisen akunlatauksen jälkeen.
 - ▶ Tarkasta teräketjun kireys työskentelyn aikana säännöllisesti. Jos teräketjun kireys on liian pieni: kiristä teräketju.
- Terälevy, teräketju ja vetopyörä voivat olla kuumia työskentelyn aikana. Käyttäjä altistuu tällöin palovammoille.
 - ▶ Älä kosketa kuumaa terälevyä, teräketjua ja vetopyörää.
 - ▶ Odota, kunnes terälevy, teräketju ja vetopyörä ovat jäähtyneet.
 - ▶ Käytä kestävästä materiaalista valmistettuja työvälineitä.
- Jos puu- ja pensaskasvien leikkuri tapahtuu muutoksia tai sen käyttäytyminen muuttuu työskentelyn aikana, puu- ja pensaskasvien leikkuri ei ole enää turvallisessa toimintakunnossa. Seurauksena voi olla vakava loukkaantuminen ja esinevahinkoja.
 - ▶ Lopeta työt, poista akku ja ota yhteyttä STIHL-erikoisliikkeeseen.
- Puu- ja pensaskasvien leikkuri saattaa tärinästä työskentelyn aikana.
 - ▶ Käytä käsineitä.
 - ▶ Pidä taukoja työskentelyn aikana.
 - ▶ Jos havaitset merkkejä verenkiertohäiriöistä: hakeudu lääkäriin.

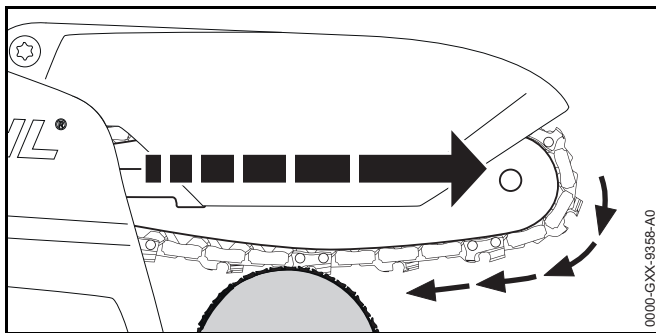
- Pyörivän teräketjun osuminen kovaan esineeseen voi aiheuttaa kipinöintiä. Kipinät voivat aiheuttaa helposti syttyvässä ympäristössä tulipalon. Seurauksena voi olla vakava tai jopa hengenvaarallinen loukkaantuminen ja esinevahinkoja.
 - ▶ Älä työskentele helposti syttyvässä ympäristössä.
- Teräketju liikkuu hetken vielä senkin jälkeen, kun ote on irrotettu kytkentävivusta. Liikkuva teräketju voi aiheuttaa viiltohaavoja. Tästä voi olla seurauksena vakava loukkaantuminen.
 - ▶ Odota, kunnes teräketju on pysähtynyt.

⚠ VAARA

- Teräketju voi joutua kosketuksiin jännitteisten kaapeleiden kanssa ja vahingoittaa niitä, jos laitteella työskennellään ympäristössä, jossa sijaitsee jännitteisiä kaapeleita. Käyttäjä voi loukkaantua vakavasti tai jopa hengenvaarallisesti.
 - ▶ Älä työskentele ympäristössä, jossa on jännitteisiä kaapeleita.

4.8 Reaktivoimat

4.8.1 Reaktivoimat



Mikäli työskentelyyn käytetään terälevyn alapuolta, puu- ja pensaskasvien leikkuri liikkuu poispäin käyttäjästä.

⚠ VAROITUS

- Puu- ja pensaskasvien leikkuri voi liikkua äkillisesti suurella voimalla käyttäjästä poispäin, jos pyörivä teräketju osuu kovaan kappaleeseen ja pysähtyy nopeasti. Tapaturmavaara.
 - ▶ Pidä puu- ja pensaskasvien leikkurista kiinni molemmin käsin.
 - ▶ Työskentele tämän käyttöohjeen mukaisesti.
 - ▶ Työskentele vain, kun suojakupu on asennettu.
 - ▶ Työskentele muuttamattomalla suojakuvulla.
 - ▶ Käytä työskentelyyn teräketjua, joka on teroitettu ja kiristetty oikein.
 - ▶ Pidä terälevy suorassa sahausraon sisällä.
 - ▶ Aseta vaste oikein sahattavaa kappaletta vasten.
 - ▶ Työskentele täyskaasua käyttäen.

4.9 Lataaminen

⚠ VAROITUS

- Vaurioitunut tai viallinen laturi voi aiheuttaa lataamisen aikana outoja hajuja sekä savun muodostumista. Tästä voi olla seurauksena loukkaantuminen sekä esinevahinkoja.
 - ▶ Irrota verkkopistoke pistorasiasta.
- Laturi voi ylikuumentua ja aiheuttaa tulipalon, mikäli lämpö ei pääse poistumaan laitteesta riittävän tehokkaasti. Seurauksena voi olla vakava tai jopa hengenvaarallinen loukkaantuminen ja esinevahinkoja.
 - ▶ Älä peitä laturia.

4.10 Sähköliitännän yhdistäminen

Seuraavat tekijät voivat mahdollisesti aiheuttaa kosketuksen jännitteisiin osiin:

- Liitoskaapeli tai jatkokaapeli on vaurioitunut.
- Liitoskaapelin tai jatkokaapelin verkkopistoke on vaurioitunut.

- Pistorasiaa ei ole asennettu oikein.

⚠ VAARA

- Jännitteisten osien koskettaminen saattaa aiheuttaa sähköiskun. Käyttäjä voi loukkaantua vakavasti tai jopa hengenvaarallisesti.

- ▶ Varmista, että sekä liitoskaapeli, jatkokaapeli että näiden verkkopistokkeet ovat ehjiä.



Jos liitoskaapeli tai jatkokaapeli on vaurioitunut:

- ▶ Älä koske vaurioituneeseen paikkaan.
- ▶ Irrota verkkopistoke pistorasiasta.
- ▶ Liitoskaapelia, jatkojohtoa ja niiden verkkopistoketta saa koskettaa vain kuivin käsin.
- ▶ Yhdistä liitoskaapeli tai jatkokaapelin verkkopistoke asianmukaisesti asennettuun ja suojattuun suojakoskettimella varustettuun pistorasiaan.
- ▶ Yhdistä latauslaite liitántään, joka on varustettu vikavirtasuojakytkimellä (30 mA, 30 ms).
- Vaurioitunut tai vääränlainen jatkokaapeli voi johtaa sähköiskuihin. Tämä voi johtaa vakavaan tai jopa hengenvaaralliseen loukkaantumiseen.
 - ▶ Käytä vain jatkokaapelia, jonka poikkipinta-ala on ohjeiden mukainen, 19.6.

⚠ VAROITUS

- Väärä verkkojännite tai väärä verkkotaajuus voi aiheuttaa laturissa ylijännitteen lataamisen aikana. Laturi voi vaurioitua.
 - ▶ Varmista, että sähköverkon verkkojännite ja verkkotaajuus vastaavat laturin arvokilvessä ilmoitettuja arvoja.
- Väärin sijoitettu liitoskaapeli ja jatkokaapeli voi vaurioitua ja aiheuttaa kompastumisen. Tästä voi olla seurauksena sekä loukkaantuminen että liitoskaapelin tai jatkokaapelin vaurioituminen.
 - ▶ Sijoita ja merkitse liitoskaapeli ja jatkojohto siten, ettei niihin voi kompastua.
 - ▶ Sijoita liitoskaapeli ja jatkokaapeli siten, etteivät kaapelit ole jännitettyjä tai kiertyneitä.
 - ▶ Sijoita liitoskaapeli ja jatkokaapeli siten, että kaapelit eivät vaurioidu, rikkoudu tai joudu puristuksiin tai hankaudu.
 - ▶ Suojaa liitoskaapeli ja jatkokaapeli kuumuudelta, öljyltä ja kemikaaleilta.
 - ▶ Sijoita liitoskaapeli ja jatkokaapeli kuivalle alustalle.

- Jatkokaapeli lämpenee työskentelyn aikana. Muodostunut lämpö voi aiheuttaa tulipalon, jos lämpö ei pääse poistumaan.
 - ▶ Kaapelirumpua käytettäessä: kelaat kaapeli kokonaan pois kaapelirummulta.
- Jos sähköjohdot ja putket on asennettu seinään, ne voivat vaurioitua, kun laturi asennetaan seinään. Kosketus sähköjohtoihin saattaa aiheuttaa sähköiskun. Seurauksena voi olla vakava loukkaantuminen ja esinevahinkoja.
 - ▶ Varmista, että asennuspaikan kohdalla seinässä ei ole sähköjohtoja tai putkia.
- Jos laturia ei ole asennettu seinään tässä annettujen ohjeiden mukaisesti, laturi tai akku voivat pudota tai laturi voi kuumentua liikaa. Tästä voi seurata loukkaantumisia ja esinevahinkoja.
 - ▶ Asenna laturi seinään tämän käyttöohjeen kuvauksen mukaisesti.
- Jos laturi sekä sen sisään asennettu akku asennetaan seinään, akku voi pudota laturista. Tästä voi seurata loukkaantumisia ja esinevahinkoja.
 - ▶ Kiinnitä ensin laturi seinään ja asenna akku vasta sen jälkeen.

4.11 Kuljettaminen

4.11.1 Puu- ja pensaskasvien leikkuri

▲ VAROITUS

- Puu- ja pensaskasvien leikkuri voi kaatua tai liikkua paikaltaan kuljetuksen aikana. Tästä voi seurata loukkaantumisia ja esinevahinkoja.



- ▶ Poista akku.

- ▶ Työnnä teräsuojus terälevyn päälle siten, että suojuksen peittää terälevyn kokonaan.
- ▶ Kuljeta puu- ja pensaskasvien leikkuria mukana toimitetussa laukussa.

- ▶ Jos toimitus ei sisällä laukkuja: varmista puu- ja pensaskasvien leikkuri kiinnityshihnoilla, vöillä tai verkolla siten, ettei se pääse kaatumaan ja liikkumaan.

4.11.2 Akku

▲ VAROITUS

- Akkua ei ole suojattu kaikilta ympäristötekijöiltä. Eräille ympäristötekijöille altistunut akku saattaa vahingoittua. Tästä voi olla seurauksena esinevahinkoja.
 - ▶ Älä kuljeta vaurioitunutta akkua.
 - ▶ Kuljeta akkua mukana toimitetussa laukussa.
 - ▶ Jos toimitukseen ei sisälly laukkuja: Kuljeta akku pakkauksessa, joka ei johda sähköä.
- Akku voi kaatua tai liikkua paikaltaan kuljetuksen aikana. Tästä voi seurata loukkaantumisia ja esinevahinkoja.
 - ▶ Pakkaa akku pakkaukseen siten, että se ei voi liikkua paikaltaan.
 - ▶ Kiinnitä pakkaus siten, ettei se voi liikkua paikaltaan.

4.11.3 Laturi

▲ VAROITUS

- Laturi voi kaatua tai liikkua paikaltaan kuljetuksen aikana. Tästä voi seurata loukkaantumisia ja esinevahinkoja.
 - ▶ Irrota verkkopistoke pistorasiasta.
 - ▶ Poista akku.
 - ▶ Kuljeta laturia mukana toimitetussa laukussa.
 - ▶ Jos toimitus ei sisällä laukkuja: varmista laturin kiinnityshihnoilla, vöillä tai verkolla siten, ettei se pääse kaatumaan ja liikkumaan.
- Liitoskaapelia ei ole tarkoitettu laturin kantamiseen. Liitoskaapeli ja laturi voivat vaurioitua.
 - ▶ Kelaat liitoskaapeli kasaan ja kiinnitä se laturiin.

4.12 Säilytys

4.12.1 Puu- ja pensaskasvien leikkuri

⚠ VAROITUS

- Lapset eivät kykene tunnistamaan eivätkä arvioimaan puu- ja pensaskasvien leikkurista aiheutuvia vaaroja. Lapset voivat loukkaantua vakavasti.



- ▶ Poista akku.

- ▶ Työnnä teräsuojus terälevyn päälle siten, että suojus peittää terälevyn kokonaan.
- ▶ Säilytä puu- ja pensaskasvien leikkuria poissa lasten ulottuvilta.
- Kosteus voi syövyttää puu- ja pensaskasvien leikkurin sähkökoskettimia ja metalliosia. Puu- ja pensaskasvien leikkuri voi vaurioitua.



- ▶ Poista akku.

- ▶ Säilytä puu- ja pensaskasvien leikkuri puhtaana ja kuivana.

4.12.2 Akku

⚠ VAROITUS

- Lapset eivät kykene tunnistamaan eivätkä arvioimaan akusta aiheutuvia vaaroja. Lapset voivat loukkaantua vakavasti.
 - ▶ Säilytä akku poissa lasten ulottuvilta.
- Akkua ei ole suojattu kaikilta ympäristötekijöiltä. Eräiden ympäristötekijöiden vaikutuksille altistunut akku saattaa vahingoittua.
 - ▶ Säilytä akku puhtaana ja kuivana.
 - ▶ Säilytä akku suljetussa tilassa.

- ▶ Säilytä akku erillään puu- ja pensaskasvien leikkurista ja laturista.
- ▶ Säilytä akku pakkauksessa, joka ei johda sähköä.
- ▶ Säilytä akkua lämpötila-alueella - 20 °C ... + 70 °C.

4.12.3 Laturi

⚠ VAROITUS

- Lapset eivät kykene tunnistamaan eivätkä arvioimaan laturista aiheutuvia vaaroja. Lapset voivat loukkaantua vakavasti tai jopa hengenvaarallisesti.
 - ▶ Poista akku.
 - ▶ Säilytä laturi poissa lasten ulottuvilta.
- Laturia ei ole suojattu kaikilta ympäristön vaikutuksilta. Eräille ympäristön vaikutuksille altistunut laturi saattaa vahingoittua.
 - ▶ Poista akku.
 - ▶ Jos laturi on lämmin: anna laturin jäähtyä.
 - ▶ Säilytä laturi puhtaana ja kuivana.
 - ▶ Säilytä laturi suljetussa tilassa.
 - ▶ Säilytä laturia lämpötila-alueella - 20 °C ... + 70 °C.
- Liitoskaapelia ei ole tarkoitettu laturin kantamiseen tai ripustamiseen. Liitoskaapeli ja laturi voivat vaurioitua.
 - ▶ Tartu laturiin tukevalla otteella kotelosta käsin. Laturissa on upotettu kahva, josta laturia on helppo nostaa.
 - ▶ Ripusta laturi seinäpidikkeeseen.

4.13 Puhdistus, huolto ja korjaus

⚠ VAROITUS

- Jos akku on paikallaan laitteessa puhdistuksen, huollon tai korjauksen aikana, pensaskasvien leikkuri saattaa käynnistyä vahingossa. Seurauksena voi olla vakava loukkaantuminen ja esinevahinkoja.



► Poista akku.

- Puu- ja pensaskasvien leikkuri, terälevy, teräketju, akku ja laturi saattavat vahingoittaa, jos puhdistuksessa käytetään voimakkaita puhdistusaineita, painepesureita tai teräviä esineitä. Jos puu- ja pensaskasvien leikkuria, terälevyä, teräketjua, akkua tai laturia ei puhdisteta oikein, laitteen osat saattavat toimia virheellisesti. Myös turvalaitteet saattavat tällöin lakata toimimasta. Tästä voi olla seurauksena vakava loukkaantuminen.
 - Puhdista puu- ja pensaskasvien leikkuri, terälevy, teräketju, akku ja laturi tämän käyttöohjeen kuvauksen mukaisesti.
- Jos puu- ja pensaskasvien leikkuri, terälevyä, teräketjua, akkua ja laturia ei huolleta tai korjata oikein, laitteen osat saattavat toimia virheellisesti. Myös turvalaitteet saattavat tällöin lakata toimimasta. Tämä voi johtaa vakavaan tai jopa hengenvaaralliseen loukkaantumiseen.
 - Älä yritä itse huoltaa tai korjata puu- ja pensaskasvien leikkuria, akkua ja laturia.
 - Jos puu- ja pensaskasvien leikkuri, akku tai laturi vaatii huoltoa tai korjaamista: ota yhteyttä STIHL-erikoisliikkeeseen.
 - Huolla tai korjaa terälevy ja teräketju tämän käyttöohjeen kuvauksen mukaisesti.
- Terävät leikkuuhampaat voi aiheuttaa käyttäjälle viiltohaavoja teräketjuun liittyvien puhdistus- tai huoltotöiden aikana. Käyttäjä voi loukkaantua.
 - Käytä kestävästä materiaalista valmistettuja työkalusineitä.

5 Puu- ja pensaskasvien leikkurin käyttöön valmistelu

5.1 Puu- ja pensaskasvien leikkurin käyttöön valmistelu

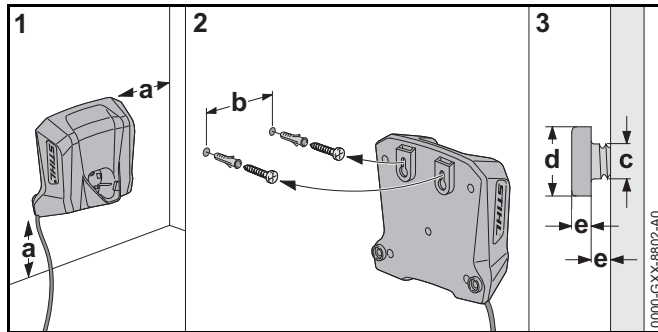
Seuraavat toimenpiteet on suoritettava aina ennen työskentelyn aloittamista:

- Varmista, että seuraavat laitteet ovat turvallisessa kunnossa:
 - Puu- ja pensaskasvien leikkuri, 4.6.1.
 - Terälevy, 4.6.2.
 - Teräketju, 4.6.3.
 - Akku, 4.6.4.
 - Laturi, 4.6.5.
- Tarkasta akku, 10.6.
- Lataa akku täyteen, 6.2.
- Puhdista puu- ja pensaskasvien leikkuri, 15.1.
- Asenna terälevy ja teräketju, 7.1.1.
- Kiristä teräketju, 7.2.
- Rasvaa teräketju, 7.3.
- Tarkasta hallintalaitteet, 10.5.
 - Jos 3 LED-merkkivaloa vilkkuvat punaisena hallintalaitteen tarkastuksen aikana: irrota akku ja ota yhteyttä STIHL-erikoisliikkeeseen. Puu- ja pensaskasvien leikkurissa on häiriö.
- Jos kuvattuja vaiheita ei voi suorittaa: älä käytä puu- ja pensaskasvien leikkuria ja ota yhteys STIHL-erikoisliikkeeseen.

6 Akun lataaminen ja LED-valot

6.1 Laturin asennus seinään

Laturin voi asentaa seinään.



► Asenna laturi seinään siten, että seuraavat edellytykset täyttyvät:

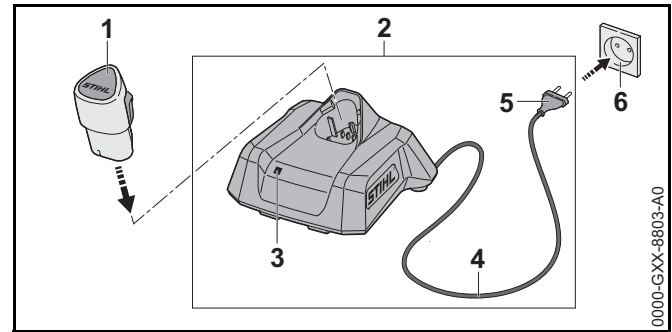
- Käytetään asianmukaisia kiinnitysmateriaaleja.
- Laturi on vaakasuorassa.
- Seuraavat mitat toteutuvat:
 - a = vähintään 100 mm
 - b = 54 mm
 - c = 4,5 mm
 - d = 9 mm
 - e = 2,5 mm

6.2 Akun lataaminen

Latausaikaan vaikuttavat monet eri tekijät, kuten akun lämpötila ja ympäristön lämpötila. Todellinen latausaika saattaa poiketa valmistajan ilmoittamasta latausajasta. Latausaika ilmoitetaan osoitteessa www.stihl.com/charging-times.

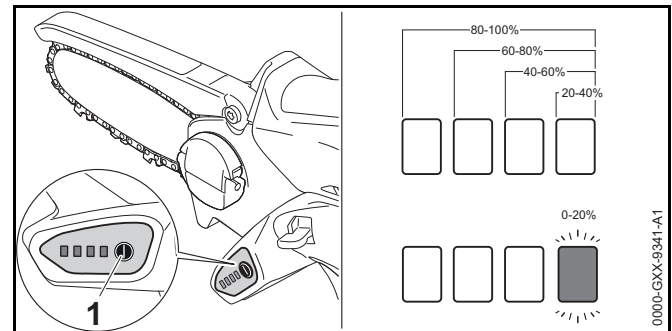
Kun verkkopistoke liitetään pistorasiaan ja akku asennetaan laturiin, lataus käynnistyy automaattisesti. Laturi kytkeytyy automaattisesti pois päältä ladattuaan akun täyteen.

Akku ja laturi lämpenevät lataamisen aikana.



- Yhdistä verkkopistoke (5) pistorasiaan (6), joka on helposti saavutettavissa. Laturi (2) suorittaa itsetestin. LED-valo (3) palaa ensin vihreänä n. 1 sekunnin ajan ja tämän jälkeen punaisena n. 1 sekunnin ajan.
- Aseta liitoskaapeli (4) paikalleen.
- Aseta akku (1) laturin (2) ohjaimiin ja paina akku vasteeseen saakka paikalleen. LED-valo (3) palaa yhtäjaksoisesti tai vilkkuu vihreänä. Akun (2) lataaminen on käynnissä.
- Jos LED-valo (3) ei enää pala: akku (1) on ladattu täyteen ja voidaan irrottaa laturista (2).
- Jos laturia (2) ei enää käytetä: irrota verkkopistoke (5) pistorasiasta (6).

6.3 Lataustilan tarkastaminen




- Aseta akku paikalleen.

- ▶ Paina painiketta (1).
Lataustilan ilmaisevat vihreät LED-valot, jotka palavat n. 5 sekunnin ajan.
- ▶ Jos oikeanpuoleinen vihreä LED-valo vilkkuu: lataa akku.

6.4 Puu- ja pensaskasvien leikkurin LED-merkivalot

LED-valot pystyvät ilmaisemaan sekä akun varaustilan että akussa ilmenevät häiriöt. LED-valojen väri voi olla vihreä tai punainen, ja valot voivat joko palaa yhtäjaksoisesti tai vilkkua.


LED-valot ilmaisevat varaustilan, jos yhtäjaksoisesti palavien tai vilkkuvien valojen väri on vihreä.

- ▶ Jos LED-merkkivalot palavat punaisina tai vilkkuvat: korjaa viat,  18.
Puu- ja pensaskasvien leikkurissa tai akussa on häiriö.

6.5 Laturin LED-valo

Tämä LED-valo ilmaisee laturin tilan tai häiriön. LED-valo voi palaa vihreänä tai punaisena tai vilkkua.

Akun lataus on käynnissä, jos vihreä LED-valo palaa tai vilkkua.

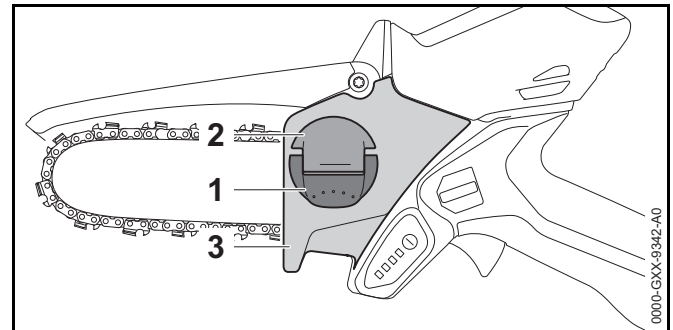
- ▶ Jos LED-valo palaa punaisena tai vilkkuu: tee vianmääritys,  18.
Laturissa tai akussa esiintyy häiriö.

7 Puu- ja pensaskasvien leikkurin kokoaminen

7.1 Terälevyn ja teräketjun irrottaminen ja asentaminen


7.1.1 Terälevyn ja teräketjun irrottaminen

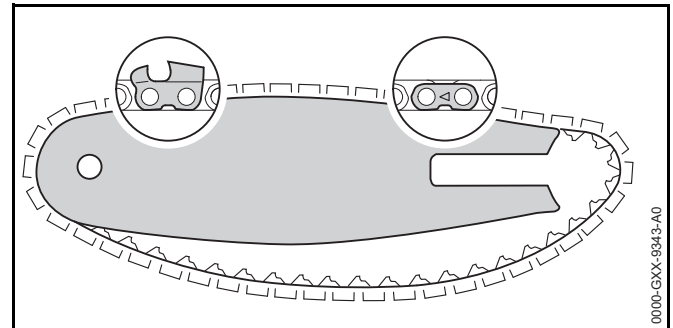
- ▶ Katkaise virta puu- ja pensaskasvien leikkurista ja poista akku.



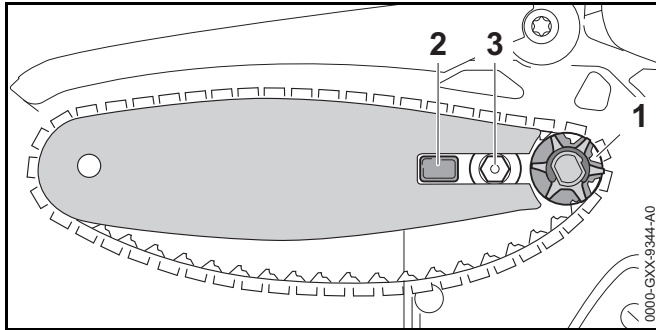
- ▶ Käännä siipimutterin (2) kädensija (1) auki.
- ▶ Käännä siipimutteria (2) vastapäivään, kunnes purukopan (3) voi irrottaa.
- ▶ Poista purukoppa (3).
- ▶ Poista terälevy ja teräketju.

7.1.2 Terälevyn ja teräketjun asennus

Ketjupyörään sopivat terälevyn ja teräketjun yhdistelmät on ilmoitettu teknisissä tiedoissa,  20.1.



- ▶ Aseta teräketju terälevyn uraan siten, että teräketjun liitoslenkeissä olevat nuolet osoittavat terälevyn yläpinnalla ketjun kulkusuuntaan.



- ▶ Aseta terälevy ja teräketju puu- ja pensaskasvien leikkurin runkoon siten, että seuraavat edellytykset täyttyvät:
 - Teräketjun vetolenkit ovat asettuneet ketjupyörän (1) hampaisiin.
 - Tappi (2) on terälevyn pitkittäisreiässä.
 - Laipparuuvi (3) on asettunut terälevyn pitkittäisreikään.

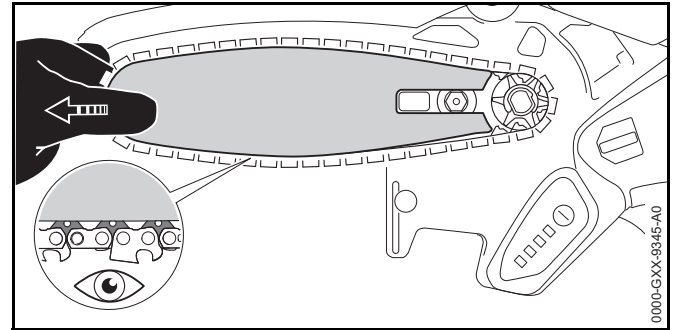
Terälevyn suunnalla ei ole merkitystä. Terälevyissä oleva merkintä voi olla myös ylösalaisin.

- ▶ Kiristä teräketju.
- ▶ Aseta purukoppa puu- ja pensaskasvien leikkuria vasten siten, että se on rungon reunan tasalla.
- ▶ Kierrä siipimutteria myötäpäivään, kunnes purukoppa on tiukasti kiinni puu- ja pensaskasvien leikkurin rungossa.
- ▶ Käännä siipimutterin kädensija kiinni.

7.2 Teräketjun kiristäminen

Työskentelyn aikana teräketju joko venyy tai lyhenee. Teräketjun kireys muuttuu. Teräketjun kireys on tarkastettava työskentelyn aikana säännöllisesti. Tarvittaessa ketjua on kiristettävä.

- ▶ Katkaise virta puu- ja pensaskasvien leikkurista ja poista akku.



- ▶ Käännä siipimutterin kädensija auki.
- ▶ Kierrä siipimutteria tämän jälkeen 2 kierrosta vastapäivään. Siipimutteri on avattu.



VAROITUS

Teräketjun leikkuuhampaat ovat teräviä. Käyttäjä altistuu tällöin viiltohaavoille.

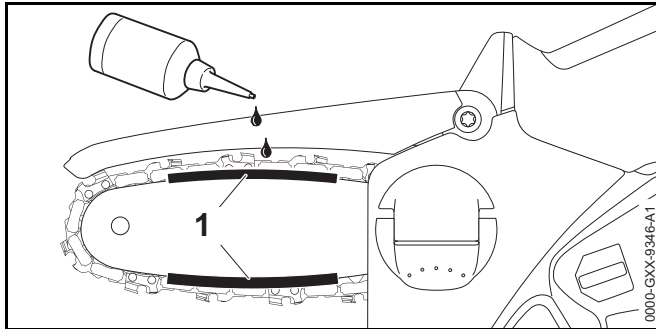
- ▶ Käytä kestävästä materiaalista valmistettuja työkaluneiteitä.
- ▶ Siirrä terälevyä vasemmalle tai oikealle, kunnes seuraava ehto täyttyy:
 - Teräketjun vetolenkit ovat terälevyn alapuolella edelleenkin puoliksi näkyvissä.
- ▶ Kierrä siipimutteria myötäpäivään, kunnes purukoppa on tiukasti kiinni puu- ja pensaskasvien leikkurin rungossa.
- ▶ Jos teräketjun voi edelleenkin asentaa helposti kahden sormen avulla terälevyn päälle: teräketju on oikein kiristetty.
- ▶ Jos teräketjun vetolenkit ovat terälevyn alapuolella kokonaan näkyvissä: kiristä teräketju uudelleen.
- ▶ Käännä siipimutterin kädensija kiinni.

7.3 Teräketjun rasvaaminen

Monikäyttö-öljy STIHL Multioil Bio tai vastaava, biohajoava monikäyttö-öljy voitelee ja jäähdyttää liikkuvan teräketjun.

- ▶ Katkaise virta puu- ja pensaskasvien leikkurista ja poista akku.

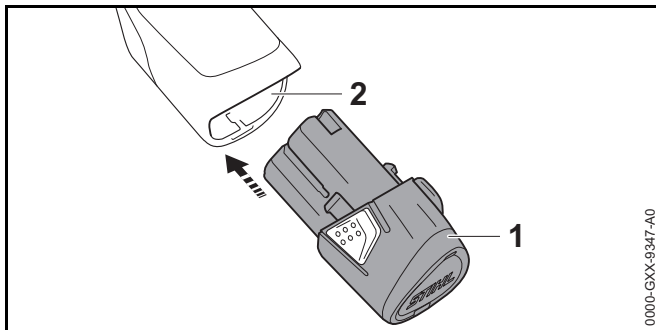
- ▶ Sijoita puu- ja pensaskasvien leikkuri tasaiselle alustalle siten, että purukoppa jää ylös.
- ▶ Puhdista terälevy ja teräketju siveltimellä, pehmeällä harjalla tai STIHL-pihkanpoistoaineella.



- ▶ Levitä monikäyttö-öljyä terälevyn ja teräketjun väliselle alueelle (1).
- ▶ Aseta akku paikalleen.
- ▶ Kytke puu- ja pensaskasvien leikkurin virta päälle. Monikäyttö-öljy levittyy teräketjulle. Teräketju on voideltu.

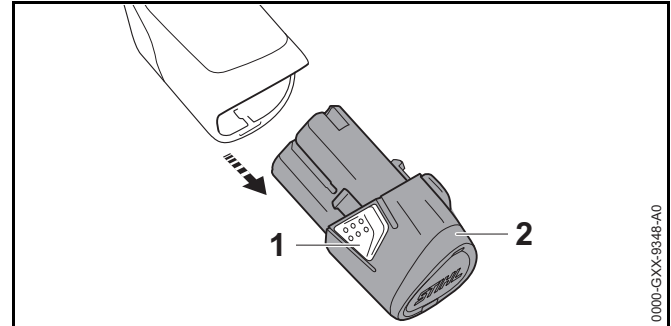
8 Akun asentaminen ja irrottaminen

8.1 Akun sijoittaminen laitteeseen



- ▶ Paina akku (1) vasteeseen saakka akkulokeroon (2). Akun (1) lukituksessa paikalleen on kuultavissa napsahdusääni.

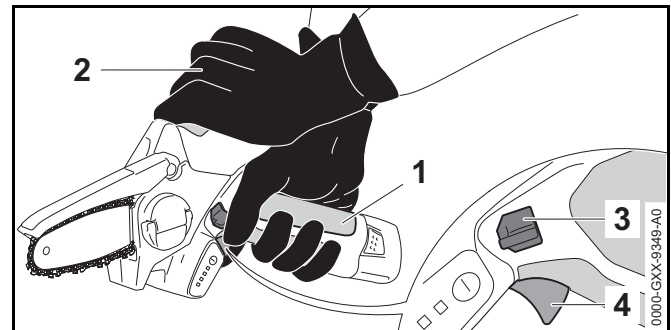
8.2 Akun poistaminen



- ▶ Paina molempia pysäytuskoukkuja (1). Akun (2) lukitus on avattu ja akku voidaan poistaa.

9 Puu- ja pensaskasvien leikkurin virran kytkeminen ja katkaiseminen

9.1 Puu- ja pensaskasvien leikkurin virran kytkeminen



- ▶ Tartu oikealla kädellä puu- ja pensaskasvien leikkurin takakahvaan kahvan alueelta (1) siten, että peukalo asettuu takakahvan ympärille.
- ▶ Tartu ja ohjaa puu- ja pensaskasvien leikkuria toisella kädellä tartuntakohtasta (2).
- ▶ Paina peukalolla lukitusvipua (3) yhtäjaksoisesti.

- ▶ Paina kytkentävivua (4) etusormella ja pidä painettuna. Puu- ja pensaskasvien leikkurin käyntinopeus kiihtyy ja teräketju alkaa liikkua. Lukitusvipu (3) voidaan vapauttaa.

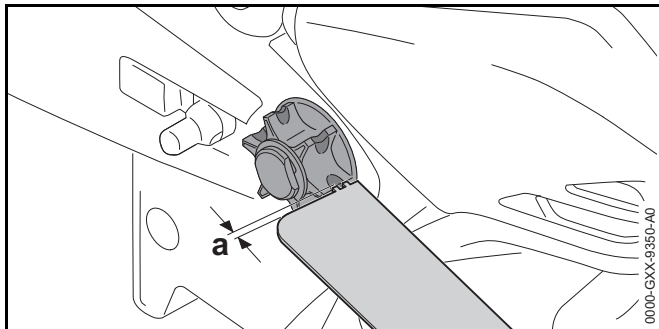
9.2 Virran katkaiseminen puu- ja pensaskasvien leikkurista

- ▶ Irrota ote kytkentävivusta. Teräketju ei enää liiku.
- ▶ Jos teräketju ei liiku: poista akku ja ota yhteyttä STIHL-erikoisliikkeeseen. Puu- ja pensaskasvien leikkuri on viallinen.

10 Puu- ja pensaskasvien leikkurin ja akun tarkastaminen

10.1 Ketjupyörän tarkastus

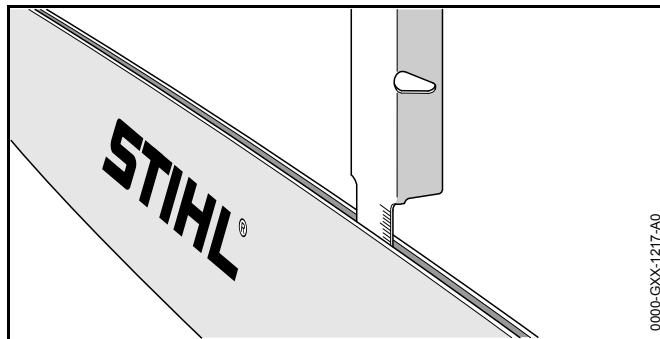
- ▶ Katkaise virta puu- ja pensaskasvien leikkurista ja poista akku.
- ▶ Irrota purukoppa.
- ▶ Irrota terälevy ja teräketju.



- ▶ Tarkasta STIHL-tarkastustulkin avulla, onko ketjupyörään muodostunut kulumisuria.
- ▶ Jos kulumajäljet ovat syvämpiä kuin $a = 0,5$ mm: älä käytä puu- ja pensaskasvien leikkuria, ja ota yhteyttä STIHL-erikoisliikkeeseen. Ketjupyörä on vaihdettava.

10.2 Terälevyn tarkastaminen

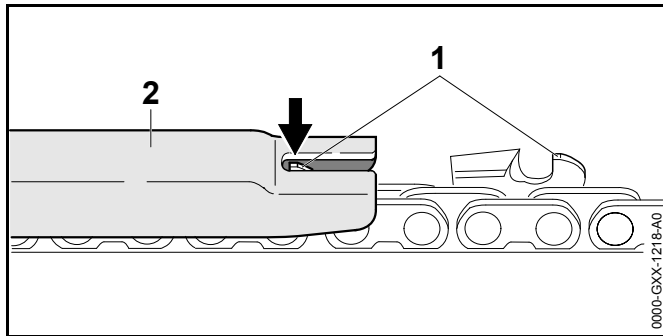
- ▶ Katkaise virta puu- ja pensaskasvien leikkurista ja poista akku.
- ▶ Irrota teräketju ja terälevy.




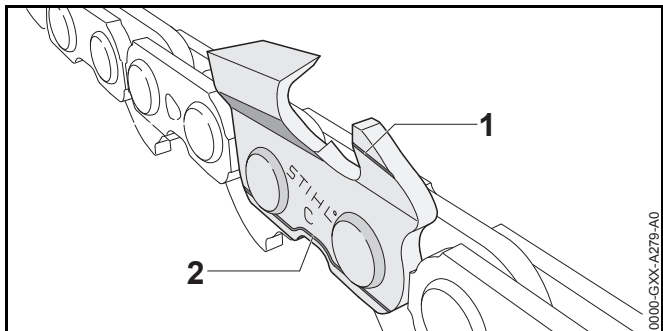
- ▶ Mittaa terälevyn urasyvyys STIHL-alennuskaavion mitta-asteikon avulla.
- ▶ Vaihda terälevy, jos jokin seuraavista edellytyksistä täyttyy:
 - Terälevy on vaurioitunut.
 - Mitattu urasyvyys on terälevyn vähimmäisurasyvyyttä pienempi, 19.3.
 - Terälevyn ura on kaventunut tai väljentynyt.
- ▶ Jos jokin asia on jäänyt sinulle epäselväksi: ota yhteyttä STIHL-erikoisliikkeeseen.

10.3 Teräketjun tarkastaminen

- ▶ Katkaise virta puu- ja pensaskasvien leikkurista ja poista akku.



- ▶ Mittaa syvyysrajoittimen (1) korkeus STIHL-alennuskaavion (2) avulla. STIHL-alennuskaavion täytyy sopia yhteen teräketjun jaon kanssa.
- ▶ Jos jokin syvyysrajoitin (1) yltää alennuskaavion (2) ulkopuolelle: palauta syvyysrajoitin (1),  16.1.



- ▶ Tarkasta, ovatko leikkuuhampaissa olevat kulumismerkinnot (1 ja 2) näkyvissä.
- ▶ Jos jokin leikkuuhampaiden kulumismerkinnoista ei ole näkyvissä: älä käytä teräketjua, vaan ota yhteyttä STIHL-erikoisliikkeeseen.
- ▶ Varmista STIHL-alennuskaavion avulla, että leikkuuhampaiden teroituskulma on 30°. STIHL-alennuskaavion täytyy sopia yhteen teräketjun jaon kanssa.
- ▶ Jos teroituskulma ei ole 30°: teroita teräketju.
- ▶ Jos jokin asia on jäänyt sinulle epäselväksi: ota yhteyttä STIHL-erikoisliikkeeseen.

10.4 Suojakuvun tarkastaminen

- ▶ Poista akku.



VAROITUS

Teräketjun leikkuuhampaat ovat teräviä. Käyttäjä altistuu tällöin viiltohaavoille.

- ▶ Käytä kestävästä materiaalista valmistettuja työkaluneitä.

- ▶ Vedä suojakuppu ylös ja vapauta se. Suojakuppu ponnahtaa takaisin lähtöasentoon.
- ▶ Jos suojakuppu liikkuu jäykästi tai ei palaa lähtöasentoon: älä käytä puu- ja pensaskasvien leikkuria ja ota yhteyttä STIHL-erikoisliikkeeseen. Suojakuppu on viallinen.

10.5 Hallintalaitteiden tarkastus

Lukitusvipu ja kytkentävipu

- ▶ Poista akku.
- ▶ Yritä painaa kytkentävipua painamatta samalla lukitusvipua.
- ▶ Jos kytkentävivun painaminen ei ole mahdollista: ota yhteyttä STIHL-erikoisliikkeeseen. Lukitusvipu on viallinen.
- ▶ Paina lukitusvipua yhtäjaksoisesti.
- ▶ Paina kytkentävipua ja vapauta vipu.
- ▶ Jos kytkentävipu liikkuu jäykästi tai ei palaa lähtöasentoon: älä käytä puu- ja pensaskasvien leikkuria ja ota yhteyttä STIHL-erikoisliikkeeseen. Kytkentävipu on viallinen.

Puu- ja pensaskasvien leikkurin virran kytkeminen

- ▶ Aseta akku paikalleen.
- ▶ Paina lukitusvipua yhtäjaksoisesti.
- ▶ Paina kytkentävipua ja pidä painettuna. Teräketju liikkuu.
- ▶ Jos 3 LED-merkkivaloa vilkkuu punaisena: poista akku ja ota yhteyttä STIHL-erikoisliikkeeseen. Puu- ja pensaskasvien leikkurissa on häiriö.

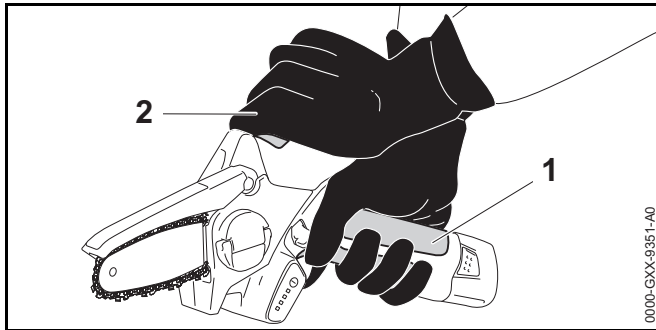
- ▶ Irrota ote kytkentävivusta.
Teräketju ei enää liiku.
- ▶ Jos teräketju ei liiku: poista akku ja ota yhteyttä STIHL-erikoisliikkeeseen.
Puu- ja pensaskasvien leikkuri on viallinen.

10.6 Akun tarkastus

- ▶ Aseta akku paikalleen.
- ▶ Paina puu- ja pensaskasvien leikkurissa olevaa painiketta.
LED-valot palavat tai vilkkuvat.
- ▶ Jos LED-valot eivät pala tai vilku: älä käytä puu- ja pensaskasvien leikkuria ja ota yhteyttä STIHL-erikoisliikkeeseen.
Puu- ja pensaskasvien leikkurissa tai akussa on häiriö.

11 Työskentely puu- ja pensaskasvien leikkurilla

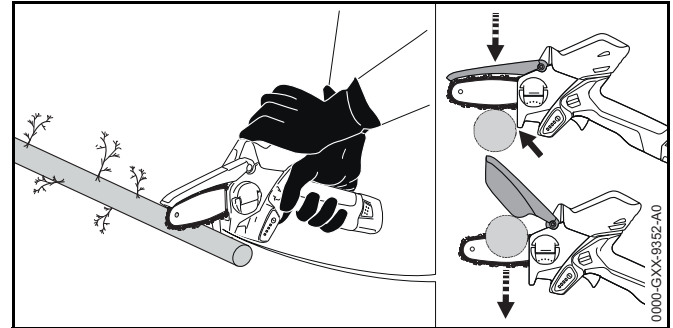
11.1 Puu- ja pensaskasvien leikkurin pitäminen ja ohjaaminen



- ▶ Tartu oikealla kädellä puu- ja pensaskasvien leikkurin takakahvaan kahvan alueelta (1) ja ohjaa siten, että peukalo asettuu takakahvan ympärille.
- ▶ Tartu ja ohjaa puu- ja pensaskasvien leikkuria toisella kädellä tartuntakohdasta (2).

11.2 Leikkaaminen

- ▶ Vie terälevy täydellä kaasulla sahausrakoon.



- ▶ Aseta vaste sahattavaa kappaletta vasten tukipisteeksi.
- ▶ Ohjaa terälevy puukappaleen läpi.
- ▶ Huolehdi siitä, että pystyt kannattelemaan leikkauksen lopussa puu- ja pensaskasvien leikkurin painon.
- ▶ Leikkaa oksat yksittäin.

12 Työskentelyn jälkeen

12.1 Työskentelyn jälkeen

- ▶ Katkaise virta puu- ja pensaskasvien leikkurista ja poista akku.
- ▶ Jos puu- ja pensaskasvien leikkuri on märkä: anna akun kuivua.
- ▶ Jos akku on märkä: anna akun kuivua.
- ▶ Puhdista puu- ja pensaskasvien leikkuri.
- ▶ Puhdista terälevy ja teräketju.
- ▶ Työnnä teräsuojus terälevyn päälle siten, että suojus peittää terälevyn kokonaan.
- ▶ Puhdista akku.

13 Kuljettaminen

13.1 Puu- ja pensaskasvien leikkurin kuljettaminen

- ▶ Katkaise virta puu- ja pensaskasvien leikkurista ja poista akku.
- ▶ Työnnä teräketjun suojus terälevyn päälle siten, että suojus peittää terälevyn kokonaan.

Puu- ja pensaskasvien leikkurin kantaminen

- ▶ Kanna puu- ja pensaskasvien leikkuria vasemmalla kädellä etukahvasta siten, että terälevy on takana.

Puu- ja pensaskasvien leikkurin kuljettaminen ajoneuvolla

- ▶ Kuljeta puu- ja pensaskasvien leikkuria mukana toimitetussa laukussa.
- ▶ Kiinnitä laukku siten, ettei laukku voi kaatua eikä liikkua paikaltaan.
- ▶ Jos toimitus ei sisällä laukkaa: kiinnitä puu- ja pensaskasvien leikkuri siten, ettei puu- ja pensaskasvien leikkuri voi kaatua eikä liikkua paikaltaan.

13.2 Akun kuljettaminen

- ▶ Katkaise virta puu- ja pensaskasvien leikkurista ja poista akku.
- ▶ Varmista, että akku on turvallisessa kunnossa.
- ▶ Pakkaa laturi mukana toimitettuun laukkuun.
- ▶ Jos laukku ei sisälly toimitukseen: pakkaa akku siten, että seuraavat edellytykset täyttyvät:
 - Pakkaus ei johda sähköä.
 - Akku ei voi liikkua pakkauksen sisällä.
- ▶ Kiinnitä pakkaus siten, ettei se voi liikkua paikaltaan.

Akun kuljettamisen yhteydessä on noudatettava vaarallisten tavaroiden kuljettamista koskevia määräyksiä. Akku kuuluu luokkaan UN 3480 (litiumioniakut), ja se on testattu YK:n käsikirjan "Kokeet ja kriteerit" osan III alakohdan 38.3 mukaisesti.

Kuljetusmääräykset määritellään osoitteessa www.stihl.com/safety-data-sheets.

13.3 Laturin kuljettaminen

- ▶ Irrota verkkopistoke pistorasiasta.
- ▶ Poista akku.
- ▶ Kelaä liitoskaapeli kasaan ja kiinnitä se laturiin.
- ▶ Jos laturia on tarkoitus kuljettaa ajoneuvossa:
 - ▶ Kuljeta laturia mukana toimitetussa laukussa.
 - ▶ Kiinnitä laukku siten, ettei laukku voi kaatua eikä liikkua paikaltaan.
 - ▶ Jos toimitus ei sisällä laukkaa: kiinnitä laturi siten, ettei laturi voi kaatua eikä liikkua paikaltaan.

14 Säilytys

14.1 Puu- ja pensaskasvien leikkuri säilytys

- ▶ Katkaise virta puu- ja pensaskasvien leikkurista ja poista akku.
- ▶ Työnnä teräsuojus terälevyn päälle siten, että suojus peittää terälevyn kokonaan.
- ▶ Säilytä puu- ja pensaskasvien leikkuria siten, että seuraavat edellytykset täyttyvät:
 - Puu- ja pensaskasvien leikkuri on poissa lasten ulottuvilta.
 - Puu- ja pensaskasvien leikkuri on puhdas ja kuiva.
 - Teräketju on voideltu.

14.2 Akun säilyttäminen

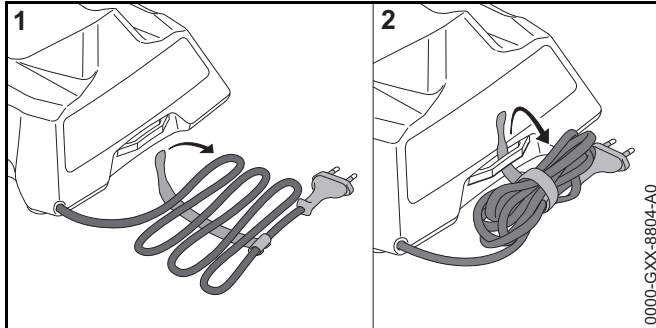
STIHL suosittelee pitämään akun varaustason säilytyksen aikana 40 %:n ja 60 %:n välillä (2 vihreää LED-valoa palaa).

- ▶ Säilytä akku siten, että seuraavat edellytykset täyttyvät:
 - Akku on poissa lasten ulottuvilta.
 - Akku on puhdas ja kuiva.
 - Akku on suljetussa tilassa.

- Akku ja laturi on erotettu puu- ja pensaskasvien leikkurista.
- Akku on sijoitettu pakkaukseen, joka ei johda sähköä.
- Akku ja laturi on lämpötila-alueella - 20 °C ... + 60 °C.

14.3 Laturin säilytys

- ▶ Irrota verkkopistoke pistorasiasta.
- ▶ Poista akku.



- ▶ Kelaa liitoskaapeli kasaan ja kiinnitä se laturiin.
- ▶ Säilytä laturi siten, että seuraavat edellytykset täyttyvät:
 - Laturi on poissa lasten ulottuvilta.
 - Laturi on puhdas ja kuiva.
 - Laturi on suljetussa tilassa.
 - Laturi on erillään akusta.
 - Laturia ei ole ripustettu liitoskaapeliin.
 - Laturia säilytetään lämpötila-alueella - 20 °C ... + 60 °C.

15 Puhdistaminen

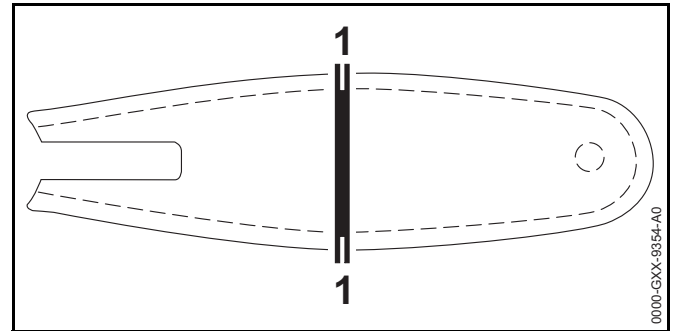
15.1 Puu- ja pensaskasvien leikkurin puhdistaminen

- ▶ Katkaise virta puu- ja pensaskasvien leikkurista ja poista akku.
- ▶ Puhdista puu- ja pensaskasvien leikkuri kostealla liinalla tai STIHL-pihkanpoistoaineella.
- ▶ Irrota purukoppa.

- ▶ Puhdista ketjupyörän ympäristö kostealla liinalla tai STIHL-pihkanpoistoaineella.
- ▶ Poista roskat akkulokerosta ja puhdista akkulokero kostealla liinalla.
- ▶ Puhdista akkulokeron sisällä olevat sähkökoskettimet siveltimellä tai pehmeällä harjalla.
- ▶ Asenna purukoppa.

15.2 Terälevyn ja teräketjun puhdistaminen

- ▶ Katkaise virta puu- ja pensaskasvien leikkurista ja poista akku.
- ▶ Irrota terälevy ja teräketju.



- ▶ Puhdista ura (1) siveltimellä, pehmeällä harjalla tai STIHL-pihkanpoistoaineella.
- ▶ Puhdista teräketju siveltimellä, pehmeällä harjalla tai STIHL-pihkanpoistoaineella.
- ▶ Asenna terälevy ja teräketju.
- ▶ Rasvaa teräketju.

15.3 Akun puhdistus

- ▶ Puhdista akku kostealla liinalla.

15.4 Laturin puhdistus

- ▶ Irrota verkkopistoke pistorasiasta.
- ▶ Puhdista laturi kostealla liinalla.

- ▶ Puhdista laturin sähkökoskettimet siveltimellä tai pehmeällä harjalla.

16 Huoltaminen

16.1 Teräketjun teroittaminen

Teräketjujen teroittaminen vaatii runsaasti harjoittelua.

STIHL-viilojen, STIHL-teroituspöytävälineiden ja STIHL-teroituslaitteiden käyttö sekä esitteen ”STIHL-teräketjujen teroittaminen” sisältämien ohjeiden noudattaminen auttavat sinua teroittamaan teräketjun oikein. Esite on saatavilla osoitteessa www.stihl.com/sharpening-brochure.

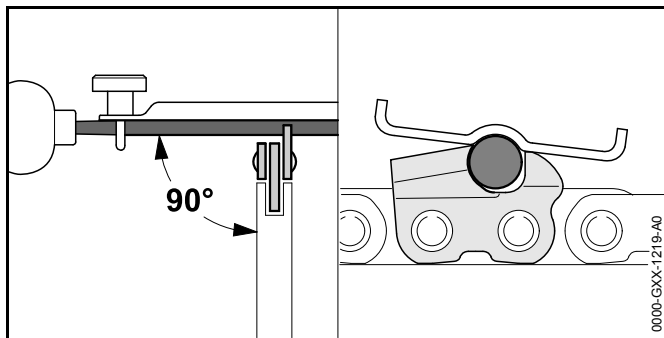
STIHL suosittelee antamaan teräketjujen teroittamisen STIHL-jälleenmyyjän tehtäväksi.



VAROITUS

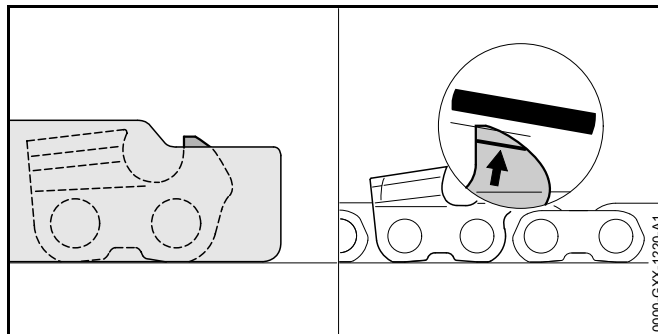
Teräketjun leikkuuhampaat ovat teräviä. Käyttäjä altistuu tällöin viiltohaavoille.

- ▶ Käytä kestävästä materiaalista valmistettuja työkaluneiteitä.



- ▶ Viilaa jokainen leikkuuterä pyöröviilalla siten, että seuraavat edellytykset täyttyvät:
 - Pyöröviila sopii yhteen teräketjun jaon kanssa.
 - Pyöröviilaa liikutetaan sisältä ulospäin.
 - Pyöröviilaa liikutetaan suorassa kulmassa terälevyyn nähden.

- Teroituskulma on 30°.



- ▶ Viilaa syvyysrajoittimet lattaviilalla siten, että syvyysrajoittimen reunat ovat STIHL-alennuskaavion tasalla ja kulumismerkintöjen suuntaisia. STIHL-alennuskaavion täytyy sopia yhteen teräketjun jaon kanssa.
- ▶ Jos jokin asia on jäänyt sinulle epäselväksi: ota yhteyttä STIHL-erikoisliikkeeseen.

17 Korjaaminen


17.1 Puu- ja pensaskasvien leikkurin, akun ja laturin korjaaminen

Käyttäjä ei voi itse korjata puu- ja pensaskasvien leikkuria, terälevyä, teräketjua, akkua eikä laturia.

- ▶ Jos puu- ja pensaskasvien leikkuri, terälevy tai teräketju ovat vaurioituneet: älä käytä puu- ja pensaskasvien leikkuria, terälevyä tai teräketjua ja ota yhteyttä STIHL-erikoisliikkeeseen.
- ▶ Jos akku on viallinen tai vaurioitunut: vaihda akku.
- ▶ Jos laturi on viallinen tai vaurioitunut: vaihda laturi.
- ▶ Jos liitoskaapeli on viallinen tai vaurioitunut: älä käytä laturia ja anna STIHL-erikoisliikkeen vaihtaa liitoskaapeli.

18 Häiriöiden poistaminen

18.1 Puu- ja pensaskasvien leikkurin, terälevyn tai teräketjun tai akun häiriöiden poistaminen

Häiriö	Puu- ja pensaskasvien leikkurin LED-merkkivalot	Syy	Korjaus
Puu- ja pensaskasvien leikkuri ei käynnisty päälle kytkettäessä.	1 vihreä LED-valo vilkkuu.	Akun varaus on liian pieni.	► Lataa akku.
	1 punainen LED-valo palaa.	Akku on liian kuuma tai liian kylmä.	► Poista akku. ► Anna akun jäähtyä tai lämmitä.
	3 punaista LED-valoa vilkkuu.	Puu- ja pensaskasvien leikkurissa on häiriö.	► Poista akku. ► Puhdista akkulokeron sisällä olevat sähkökoskettimet. ► Aseta akku paikalleen. ► Kytke puu- ja pensaskasvien leikkurin virta päälle. ► Jos 3 punaista LED-valoa vilkkuu edelleen: älä käytä puu- ja pensaskasvien leikkuria ja ota yhteyttä STIHL-erikoisliikkeeseen.
	3 punaista LED-valoa palaa.	Puu- ja pensaskasvien leikkuri on liian lämmin.	► Poista akku. ► Anna puu- ja pensaskasvien leikkurin jäähtyä.
	4 punaista LED-valoa vilkkuu.	Akussa on häiriö.	► Ota akku laitteesta ja asenna se uudelleen. ► Kytke puu- ja pensaskasvien leikkurin virta päälle. ► Jos 4 punaista LED-valoa vilkkuu edelleen: älä käytä akkua ja ota yhteyttä STIHL-erikoisliikkeeseen.
		Puu- ja pensaskasvien leikkurin ja laturin välinen sähköinen yhteys on poikki.	► Poista akku. ► Puhdista akkulokeron sisällä olevat sähkökoskettimet. ► Aseta akku paikalleen.
		Puu- ja pensaskasvien leikkuri tai akku on kostea.	► Anna puu- ja pensaskasvien leikkurin tai akun kuivua.
		Teräketju on jumittunut.	► Poista akku. ► Puhdista puu- ja pensaskasvien leikkuri,  15.1.

Häiriö	Puu- ja pensaskasvien leikkurin LED-merkkivalot	Syy	Korjaus
Puu- ja pensaskasvien leikkuri pysähtyy käytön aikana itsestään.	3 punaista LED-valoa palaa.	Puu- ja pensaskasvien leikkuri on liian lämmin.	<ul style="list-style-type: none"> ▶ Poista akku. ▶ Anna puu- ja pensaskasvien leikkurin jäähtyä.
		Laitteessa esiintyy sähköinen häiriö.	<ul style="list-style-type: none"> ▶ Ota akku laitteesta ja asenna se uudelleen. ▶ Kytke puu- ja pensaskasvien leikkurin virta päälle.
Puu- ja pensaskasvien leikkurin leikkausteho heikkenee äkillisesti.	1 vihreä LED-valo vilkkuu.	Akun varaus on liian pieni.	▶ Lataa akku.
		Teräketjua ei ole teroitettu oikein.	▶ Teroita teräketju oikein.
		Teräketjua on kiristetty liikaa.	▶ Kiristä teräketju oikein.
		Ketjun voitelu ei ole riittävä.	▶ Rasvaa teräketju.
Puu- ja pensaskasvien leikkurin toiminta-aika on liian lyhyt.		Akkua ei ole ladattu täyteen.	▶ Lataa akku täyteen.
		Akun käyttöikä on kulunut umpeen.	▶ Vaihda akku.

18.2 Laturin häiriöiden poistaminen

Häiriö	Laturin LED-valo	Syy	Korjaus
Laturi ei lataa akkua.	Punainen LED-valo palaa.	Akku on liian kuuma tai liian kylmä.	<ul style="list-style-type: none"> ▶ Jätä akku laturiin. ▶ Lataus käynnistyy automaattisesti heti, kun akun lämpötila on sallitulla lämpötila-alueella.
	Punainen LED-valo vilkkuu.	Puhaltimen ja laturin välinen sähköinen yhteys on poikki.	<ul style="list-style-type: none"> ▶ Poista akku. ▶ Puhdista laturin sähkökoskettimet. ▶ Aseta akku paikalleen.

Häiriö	Laturin LED-valo	Syy	Korjaus
		Laturissa esiintyy häiriö.	▶ Älä käytä laturia ja ota yhteyttä STIHL-erikoisliikkeeseen.
		Akussa on häiriö.	▶ Älä käytä akkua, vaan ota yhteyttä STIHL-erikoisliikkeeseen.
Laturi ei suorita itsetestiä.	LED-valo ei pala ensin vihreänä noin 1 sekunnin ajan ja punaisena noin 1 sekunnin ajan.	Laturin sähköinen yhteys on ollut lyhyesti poikki.	<ul style="list-style-type: none"> ▶ Irrota verkkopistoke pistorasiasta. ▶ Odota 1 minuutti. ▶ Yhdistä verkkopistoke pistorasiaan.

19 Tekniset tiedot

19.1 Puu- ja pensaskasvien leikkuri STIHL GTA 26

- Sallittu akku: STIHL AS
- Paino ilman akkua, terälevyllä ja teräketjulla: 1,2 kg

Käyttöaika annetaan osoitteessa www.stihl.com/battery-life.

19.2 Ketjupyörät

Seuraavia ketjupyöriä voi käyttää:

- 6-hampainen malliin 1/4" P

19.3 Terälevyjen vähimmäisurasyyvyys

Vähimmäisurasyyvyys riippuu terälevyn jaosta.

- 1/4" P: 4 mm

19.4 Akku STIHL AS

- Akkutekniikka: litiumioniakku
- Jännite: 10,8 V
- Kapasiteetti, Ah: katso arvokilpi
- Energiasisältö, Wh: katso arvokilpi
- Paino, kg: katso arvokilpi
- Sallittu lämpötila-alue käytön ja säilytyksen aikana: - 20 °C ... +50 °C

Jos akkua käytetään alle 0 °C:n tai yli +30 °C:een lämpötilassa, akun käyttöaika saattaa lyhentyä ja puu- ja pensaskasvien leikkurin teho pienentyä.

19.5 Laturi STIHL AL 1

- Nimellisjännite: katso arvokilpi
- Taajuus: katso arvokilpi
- Nimellisteho: katso arvokilpi

- Latausvirta: katso arvokilpi
- Sallittu lämpötila-alue käytön ja säilytyksen aikana: - 20 °C ... + 50 °C
- Hyväksytyt STIHL AS -akun suurin energiasisältö: 12,5 Ah

Latausajat ilmoitetaan osoitteessa www.stihl.com/charging-times.

Jos laturia käytetään alle + 5 °C:n lämpötilassa tai yli + 30 °C:n lämpötilassa, latausajat voi olla pidempiä.

19.6 Jatkokaapelit

Jos laitteen yhteydessä käytetään jatkokaapelia, jatkokaapelin johdinten paksuuden on täytettävä vähintään seuraavat vaatimukset, jotka määräytyvät verkkojännitteen ja jatkokaapelin pituuden perusteella:

Jos nimellisjännite arvokilvessä on 220 V - 240 V:

- Kaapelin pituus enintään 20 m: AWG 15 / 1,5 mm²
- Kaapelin pituus 20 m - 50 m: AWG 13 / 2,5 mm²

Jos nimellisjännite arvokilvessä on 100 V - 127 V:

- Kaapelin pituus enintään 10 m: AWG 14 / 2,0 mm²
- Kaapelin pituus 10 m - 30 m: AWG 12 / 3,5 mm²

19.7 Melu- ja värinäarvot

Äänenpainetason laskennassa käytettävä korjauskerroin on 2 dB(A). Äänitehotason laskennassa käytettävä korjauskerroin on 2 dB(A). Värinäarvon laskennassa käytettävä korjauskerroin on 2 m/s².

STIHL suosittelee kuulonsuojainten käyttöä.

- Äänenpainetaso L_{pA} mitattu standardin EN 60745-2-13 mukaan: 77 dB(A)
- Äänitehotaso L_{WA} mitattu standardin EN 60745-2-13 mukaan: 86 dB(A)
- Värinäarvo a_{HV} mitattu standardin EN 60745-2-13 mukaan:

- Takakahva: 2,8 m/s²
- Tartuntakohdat: 2,9 m/s.

Ilmoitetut värinäarvot on mitattu standardoitujen testausmenetelmien mukaisesti, ja niitä voidaan käyttää sähkölaitteiden vertailuun. Todelliset värinäarvot saattavat poiketa ilmoitetuista arvoista käyttötavoissa esiintyvien erojen vuoksi. Ilmoitettuja värinäarvoja voidaan käyttää lähtökohtana arvioitaessa alustavasti altistumista värinärasitukselle. Todellinen värinärasitus on arvioitava erikseen. Tällöin voidaan ottaa huomioon myös ajat, jolloin sähkölaite on pois käytöstä, samoin kuin ne ajat, jolloin laite on toiminnassa altistamatta kuitenkaan käyttäjää värinärasitukselle.

Tietoja työnantajia koskevan värinädirektiivin 2002/44/EY vaatimusten täyttämistä on osoitteessa www.stihl.com/vib.

19.8 REACH-asetus

REACH-asetuksella tarkoitetaan EY:n kemikaalien rekisteröintiä, arviointia ja lupamenettelyä koskevaa asetusta.

Lisätietoja REACH-asetuksen vaatimusten täyttämistä on saatavissa osoitteesta www.stihl.com/reach.

20 Terälevyjen ja teräketjujen yhdistelmät

20.1 Puu- ja pensaskasvien leikkuri STIHL GTA 26

Jako	Vetolenkin paksuus/uraleveys	Pituus	Terälevy	Kärkiyörän hammasluku	Vetolenkkien lukumäärä	Teräketju
1/4" P	1,1 mm	10 cm	Valo	-	28	71 PM3 (tyyppi 3670)

Terälevyn sahauspituus riippuu käytettävästä puu- ja pensaskasvien leikkurista ja teräketjusta. Terälevyn tosiasiallinen sahauspituus voi olla ilmoitettua pituutta pienempi.

21 Varaosat ja varusteet

21.1 Varaosat ja varusteet

STIHL Alkuperäiset STIHL-varaosat ja alkuperäiset STIHL-varusteet tunnistaa näistä merkeistä.



STIHL suosittelee käyttämään ainoastaan alkuperäisiä STIHL-varaosia ja alkuperäisiä STIHL-varusteita.

Alkuperäisiä STIHL-varaosia ja alkuperäisiä STIHL-varusteita on saatavissa STIHL-erikoisliikkeestä.

22 Hävittäminen

22.1 Puu- ja pensaskasvien leikkurin, akun ja laturin hävittäminen

Tietoja hävittämisestä saat STIHL-erikoisliikkeestä.

- ▶ Hävitä puu- ja pensaskasvien leikkuri, terälevy, teräketju, akku, laturi, varusteet ja pakkaus määräysten mukaisesti sekä ympäristöystävällisesti.

23 EU-vaatimustenmukaisuusvakuutus

23.1 Puu- ja pensaskasvien leikkuri STIHL GTA 26

ANDREAS STIHL AG & Co. KG
Badstraße 115
D-71336 Waiblingen
Deutschland

vakuuttaa yksinomaisena vastuullisena, että kone

- Malli: Akkukäyttöinen puu- ja pensaskasvien leikkuri
- Merkki: STIHL
- Tyyppi: GTA 26
- Sarjatunniste: GA01

vastaa soveltuvilta osin direktiivien 2011/65/EU, 2006/42/EG, 2014/30/EU ja 2000/14/EG säännöksiä ja että tuote on kehitetty ja valmistettu seuraavien standardien tuotteen valmistuspäivänä voimassa olevien versioiden mukaisesti: EN 55014-1, EN 55014-2, EN 62841-1.

Direktiivin 2006/42/EY artiklan 12.3(b) mukaisen EY-tyyppitarkastuksen suorittaja: VDE Prüf- u. Zertifizierungsinstitut (NB 0366), Merianstraße 28, 63069 Offenbach, Saksa

– Tarkastustodistuksen numero: 40050017

Mitattu ja taattu äänitehotaso on määritetty direktiivin 2000/14/EY liitteen V mukaisesti.

- Mitattu äänitehotaso: 88 dB(A)
- Taattu äänitehotaso: 90 dB(A)

Teknisten asiakirjojen säilytyksestä vastaa ANDREAS STIHL AG & Co. KG:n tuotteiden lupamenettelyistä vastaava tuotehyväksynnän osasto.

Valmistusvuosi, valmistusmaa ja koneen numero on ilmoitettu akkukäyttöisen puu- ja pensaskasvien leikkurin päällä.

Waiblingen, 03.02.2020

ANDREAS STIHL AG & Co. KG

puolesta

Dr. Jürgen Hoffmann, Johtaja, tuotetiedot, -asetukset ja -hyväksynät

23.2 Laturin STIHL AL 1 vaatimustenmukaisuutta koskeva huomautus

Tämä laturi on valmistettu ja saatettu markkinoille seuraavien direktiivien mukaisesti: 2014/35/EU, 2014/30/EU ja 2011/65/EU.

Valmistusvuosi, valmistusmaa ja koneen numero on merkitty latauslaitteeseen.

Täydellinen EY-vaatimustenmukaisuusvakuutus on saatavissa valmistajalta ANDREAS STIHL AG & Co. KG., Badstraße 115, 71336 Waiblingen, Saksa.

24 Yleisiä turvallisuusohjeita sähkötyökaluille

24.1 Johdanto

Tässä luvussa on esitetty kädessä pidettäviä moottorikäyttöisiä sähkötyökaluja koskevassa standardissa EN/IEC 62841 valmiiksi muotoillut yleiset turvallisuusohjeet.

STIHL on velvollinen lisäämään nämä tekstit oppaisiinsa.

Sähköiskujen välttämiseksi annetut turvallisuusohjeet kohdassa "Sähköturvallisuus" eivät koske STIHLin akkukäyttöisiä laitteita.

VAROITUS

Lue kaikki tämän sähkötyökalun mukana toimitetut turvallisuusohjeet, ohjeet, kuvat ja tekniset tiedot. Jos seuraavia turvallisuus- ja toimintaohjeita ei noudateta tinkimättömästi, seurauksena voi olla sähköisku, tulipalo ja/tai vakava loukkaantuminen. **Säilytä turvallisuus- ja toimintaohjeet vastaista käyttöä varten.**

Turvallisuusohjeissa käytettävällä käsitteellä "Sähkötyökalu" tarkoitetaan verkkokäyttöisiä (verkkokaapelin avulla käytettäviä) sähkötyökaluja tai akkukäyttöisiä (ilman verkkokaapelia käytettäviä) sähkötyökaluja.

24.2 Työkohteen turvallisuus

- Huolehdi siitä, että työskentelyalue on siisti ja valaistu hyvin.** Sotkuinen tai valaisematon työskentelyalue voi johtaa onnettomuuteen.
- Älä käytä sähkötyökalua räjähdysvaarallisessa ympäristössä, joka sisältää palavia nesteitä, kaasuja tai pölyjä.** Sähkötyökalut aiheuttavat kipinöitä, jotka voivat johtaa pölyn tai höyryjen syttymiseen.
- Estä lasten ja muiden sivullisten pääsy työskentelyalueelle sähkötyökalun käytön aikana.** Keskeyttämistä häiritsevät tekijät voivat johtaa laitteen hallinnan menettämiseen.

24.3 Sähköturvallisuus

- Sähkötyökalun pistokkeen on sovittava käytettävään pistorasiaan. Pistokkeeseen ei saa tehdä minkäänlaisia muutoksia. Älä käytä suojamaadoitettujen sähkötyökalujen yhteydessä adapteripistokkeita.** Sähköiskujen riski pysyy pienenä, mikäli laitteeseen kuuluvaan pistokkeeseen ei ole tehty muutoksia ja pistoke on yhdistetty sopivaan pistorasiaan.
- Vältä maadoitettujen pintojen, kuten putkien, lämpöpatterien, liesien ja jääkaappien koskettamista.** Sähköiskujen riski kasvaa, mikäli kehosi on maadoitettu.
- Estä sähkötyökalujen altistuminen sateelle ja kosteudelle.** Veden tunkeutuminen sähkötyökalun sisään kasvattaa sähköiskujen riskiä.
- Älä käytä kaapelia muutoin kuin laitteen sähköverkkoon yhdistämistä varten. Älä näin ollen nosta tai ripusta sähkötyökalua kaapelista äläkä myöskään irrota pistoketta pistorasiasta kaapelista vetämällä.** Huolehdi siitä, että kaapeli on riittävän matkan päässä lämmönlähteistä, öljyistä, terävistä esineistä tai liikkuvista laitteen osista. Sähköiskujen riski kasvaa, jos kaapelit ovat vaurioituneita tai sotkeutuneita.
- Käytä ainoastaan ulkokäyttöön sopivia jatkokaapeleita, mikäli käytät sähkötyökalua ulkona.** Ulkokäyttöön sopivien jatkokaapelien käyttö pienentää sähköiskujen riskiä.

- f) Käytä vikavirtasuojakytkintä, mikäli joudut käyttämään sähkötyökalua kosteassa ympäristössä. Vikavirtasuojakytkimen käyttö pienentää sähköiskujen riskiä.

24.4 Henkilöturvallisuus

- a) Ole tarkkaavainen ja keskity suorittamaasi työtehtävään. Toimi aina harkiten työskennellessäsi sähkötyökalun avulla. Älä käytä sähkötyökaluja, mikäli olet väsynyt tai huumausaineiden, alkoholin tai lääkkeiden vaikutuksen alainen. Pienikin varomattomuus sähkötyökalun käytön yhteydessä voi johtaa vakavaan loukkaantumiseen.
- b) Käytä henkilökohtaisia suojavarusteita ja aina suojalaseja. Henkilönsuojainten (kuten pölysuojaimen, luistamattomien turvajalkineiden, suojakypärän tai kuulosuojaimen) käyttö pienentää turvallisuusriskiä monien sähkötyökalujen kohdalla sekä monissa eri käyttötilanteissa.
- c) Ehkäise työkalun käynnistyminen tahattomasti. Varmista, että sähkötyökalu on kytketty pois päältä, ennen kuin yhdistät työkalun virtalähteeseen ja/tai yhdistät akun työkaluun, tartut työkaluun tai kannat työkalua. Seurauksena voi olla onnettomuus, mikäli pidät sorreasi sähkötyökalun kytkimellä laitteen kantamisen aikana tai mikäli laite on kytketty päälle yhdistäessäsi laitteen virtalähteeseen.
- d) Poista säätötyökalut tai ruuviavaimet, ennen kuin käynnistät sähkötyökalun. Laitteen pyörivään osaan jääneet työkalut voivat johtaa loukkaantumiseen.
- e) Vältä työskentelyä epätavallisessa asennossa. Ota tukeva asento ja varmista tasapainosi säilyminen kaikissa tilanteissa. Näin sinun on helpompi hallita sähkötyökalua odottamattomissa tilanteissa.
- f) Käytä sopivaa vaatetusta. Älä käytä väljää vaatetusta äläkä pidä ylläsi koruja. Pidä hiukset ja vaatteet etäällä liikkuvista osista. Väljä vaatetus, korut tai pitkät hiukset voivat tarttua liikkuviin osiin.

- g) Jos työkaluun on mahdollista asentaa pölynimu- ja pölynkeruulaitteita, nämä on asennettava työkaluun. Varmista, että käytät laitteita oikein. Pölynimulaitteiden käyttö voi pienentää pölystä aiheutuvia vaaratekijöitä.
- h) Muista noudattaa kaikkia sähkötyökaluja koskevia turvallisuussääntöjä tinkimättömästi myös siinä tapauksessa, että hallitset työkalun käytön jo lukuisten käyttökertojen aikana hankkimasi kokemuksen perusteella. Perusteeton turvallisuuden tunne voi olla vaarallista. Varomaton toiminta voi johtaa sekunnin murto-osassa vakavaan loukkaantumiseen.

24.5 Sähkötyökalun käyttö ja käsittely

- a) Älä kuormita laitetta liikaa. Käytä työskentelyyn työtehtävääsi tarkoitettua sähkötyökalua. Työtehtävään sopivan sähkötyökalun avulla pystyt työskentelemään tehokkaasti ja turvallisesti myös laitteelle määritellyllä tehoalueella.
- b) Älä käytä sähkötyökalua, jonka kytkin on viallinen. Sähkötyökalu on vaarallinen, mikäli sitä ei voi enää kytkeä päälle tai pois päältä virtakytkimen avulla. Tällainen työkalu on korjattava.
- c) Irrota pistoke pistorasiasta ja/tai poista irrotettava akku laitteesta, ennen kuin aloitat laitteen säätämisen tai varusteosien vaihtamisen ja ennen kuin lasket työkalun säilytyspaikkaan. Nämä varotoimet ehkäisevät sähkötyökalun käynnistymisen vahingossa.
- d) Säilytä sähkötyökalut lasten ulottumattomissa silloin, kun työkaluja ei käytetä. Älä anna sellaisten henkilöiden käyttää laitetta, jotka eivät ole perehtyneet laitteen käyttöön tai jotka eivät ole lukeneet näitä ohjeita. Sähkötyökalut ovat kokemattomien henkilöiden käsissä vaarallisia.
- e) Hoida sähkötyökaluja ja vaihdettavia varusteita huolellisesti. Tarkasta, toimivatko liikkuvat osat moitteettomasti ja takertelematta. Tarkasta niin ikään, onko sähkötyökalussa osia, jotka ovat rikkoutuneet tai vaurioituneet siinä määrin, että tämä haittaa työkalun toimintaa. Korjauta vaurioituneet osat ennen sähkötyökalun käyttöä. Monien onnettomuuksien syynä on sähkötyökalujen puutteellinen huoltaminen.

- f) **Huolehdi leikkuuterien terävyydestä ja puhtaudesta.** Huolellisesti hoidetut, teräväreunaiset leikkuuterät liikkuvat huonosti hoidettuja ja tylsiä teriä paremmin leikkattavassa aineksessa. Myös terän kulkua on tällöin helpompi ohjata.
- g) **Käytä sähkötyökalua, lisätyökalua, vaihdettavia työkaluja jne. näiden ohjeiden mukaisesti. Ota tällöin huomioon myös työskentelyolosuhteiden ja suoritettavan työtehtävän asettamat vaatimukset.** Sähkötyökalujen käyttö muuhun kuin niille määriteltyyn tarkoitukseen voi johtaa vaaratilanteisiin.
- h) **Huolehdi siitä, että kahvat ja tartuntapinnat ovat kuivia, puhtaita, öljyttömiä ja rasvattomia.** Sähkötyökalua ei voi käyttää ja hallita turvallisesti odottamattomissa tilanteissa, mikäli kahvat ja tartuntapinnat ovat liukkaita.

24.6 Akkukäyttöisen työkalun käyttö ja käsittely

- a) **Käytä akkujen lataamiseen vain valmistajan suosittelemia latureita.** Jos määrätyn akkutyypin lataamiseen tarkoitettua laturia käyttö muunlaisten akkujen lataamiseen, seurauksena voi olla tulipalo.
- b) **Käytä sähkötyökaluissa vain niihin erityisesti tarkoitettuja akkuja.** Muiden akkujen käyttö voi johtaa loukkaantumiseen tai tulipaloon.
- c) **Säilytä käyttämättömänä olevat akut etäällä paperiliittimistä, kolikoista, avaimista, nauloista, ruuveista tai muista pienistä metalliesineistä, jotka voivat aiheuttaa oikosulun akun kosketinten välille.** Akun kosketinten välisestä oikosulusta voi olla seurauksena palovammoja tai tulipalo.
- d) **Akkunestettä saattaa vuotaa akusta, mikäli akkua käytetään virheellisesti. Vältä joutumista kosketuksiin nesteen kanssa. Mikäli näin päässyt käymään, huuhtelee altistunut kohta vedellä. Jos nestettä on joutunut silmiin, hakeudu lisäksi lääkäriin.** Vuotanut akkuneste voi ärsyttää ihoa tai aiheuttaa palovammoja.

- e) **Älä käytä akkua, joka on vaurioitunut tai jossa on tapahtunut muutoksia.** Akku saattaa toimia odottamattomasti ja johtaa tulipaloon, räjähdykseen tai loukkaantumiseen, mikäli akku on vaurioitunut tai jos akussa on tapahtunut muutoksia.
- f) **Pidä akku erossa avotulesta. Älä myöskään altista akkua liian korkeille lämpötiloille.** Avotuli tai 130 °C:n (265 °F) lämpötilat voivat aiheuttaa räjähdyksen.
- g) **Noudata kaikkia lataamista koskevia ohjeita. Älä koskaan lataa akkua tai akkukäyttöistä työkalua käyttöohjeessa ilmoitetun lämpötila-alueen ulkopuolella.** Jos akku ladataan väärin tai sallitun lämpötila-alueen ulkopuolella, akku voi rikkoutua ja kasvattaa palovaaraa.

24.7 Huolto

- a) **Jätä sähkötyökalun korjaaminen vain tehtävään pätevän erikoishenkilöstön tehtäväksi. Huolehdi myös siitä, että korjaamiseen käytetään ainoastaan alkuperäisvaraosia.** Tämä varmistaa sähkötyökalun turvallisuuden säilymisen ennallaan.
- b) **Älä koskaan yritä huoltaa vaurioituneita akkuja.** Akkujen huoltamiseen saavat ryhtyä ainoastaan valmistaja tai tehtävään valtuutetut asiakaspalvelupisteet.

Indholdsfortegnelse

1	Forord	143	7.3	Smør savkæden	160
2	Oplysninger om denne brugsvejledning	143	8	Isætning og udtagning af batteriet	160
2.1	Gældende dokumenter	143	8.1	Isætning af batteri	160
2.2	Markering af advarselshenvisninger i teksten	144	8.2	Tag batteriet ud	161
2.3	Symboler i teksten	144	9	Tænd og sluk træskæreren	161
3	Oversigt	144	9.1	Tænd træskæreren	161
3.1	Træskærer, batteri og oplader	144	9.2	Sluk træskæreren	161
3.2	Symboler	145	10	Kontrollér træskæreren og batteriet	161
4	Sikkerhedshenvisninger	146	10.1	Kontrollér kædehjulet	161
4.1	Advarselssymboler	146	10.2	Kontrol af sværdet	162
4.2	Formålsbestemt anvendelse	146	10.3	Kontrollér savkæden	162
4.3	Krav til brugeren	147	10.4	Kontrollér beskyttelseskappen	162
4.4	Beklædning og udstyr	147	10.5	Kontrollér betjeningselementerne	163
4.5	Arbejdsområde og omgivelser	148	10.6	Kontrollér batteriet	163
4.6	Sikker tilstand	149	11	Arbejd med træskæreren	163
4.7	Arbejde	151	11.1	Hold træskæreren og før den	163
4.8	Reaktionskræfter	153	11.2	Klipning	163
4.9	Opladning	153	12	Efter arbejdet	164
4.10	Elektrisk tilslutning	153	12.1	Efter arbejdet	164
4.11	Transport	154	13	Transport	164
4.12	Opbevaring	155	13.1	Transportér træskæreren	164
4.13	Rengøring, vedligeholdelse og reparation	156	13.2	Transportér batteriet	164
5	Gør træskæreren klar til brug	157	13.3	Transportér opladeren	164
5.1	Gør træskæreren klar til brug	157	14	Opbevaring	164
6	Opladning af batteriet og LED'er	157	14.1	Opbevar træskæreren	164
6.1	Montering af opladeren på en væg	157	14.2	Opbevar batteriet	165
6.2	Opladning af batteriet	157	14.3	Opbevaring af opladeren	165
6.3	Visning af ladetilstanden	158	15	Rengøring	165
6.4	LED'er på træskæreren	158	15.1	Rengør træskæreren	165
6.5	LED på opladeren	158	15.2	Rengør sværdet og savkæden	165
7	Saml træskæreren	159	15.3	Rengøring af batteriet	166
7.1	Af- og påmonter sværdet og savkæden	159	15.4	Rengøring af opladeren	166
7.2	Spænd savkæden	159	16	Vedligeholdelse	166

STIHL

Denne betjeningsvejledning er beskyttet af ophavsretten. Alle rettigheder forbeholdes, især retten til kopiering, oversættelse og behandling med elektroniske systemer.

16.1	Slibning af savkæde	166
17	Reparation	167
17.1	Reparer træskærer, batteri og oplader	167
18	Afhjælpning af fejl	168
18.1	Afhjælp fejl i træskæreren eller batteriet	168
18.2	Afhjælpning af fejl i opladeren	169
19	Tekniske data	170
19.1	Træskærer STIHL GTA 26	170
19.2	Kædehjul	170
19.3	Sværdenes min. notdybde	170
19.4	Batteri STIHL AS	170
19.5	Oplader STIHL AL 1	170
19.6	Forlængerledninger	170
19.7	Støj- og vibrationsværdier	170
19.8	REACH	171
20	Kombinationer af sværd og savkæder	172
20.1	Træskærer STIHL GTA 26	172
21	Reservedele og tilbehør	173
21.1	Reservedele og tilbehør	173
22	Bortskaffelse	173
22.1	Bortskaf træskærer, batteri og oplader	173
23	EU-overensstemmelseserklæring	173
23.1	Træskærer STIHL GTA 26	173
23.2	Overensstemmelsehenvisning oplader STIHL AL 1	173
24	Generelle advarselshenvisninger for el-værktøjer	174
24.1	Indledning	174
24.2	Sikkerhed på arbejdspladsen	174
24.3	Elektrisk sikkerhed	174
24.4	Personlig sikkerhed	174
24.5	Omgang med og brug af el-værktøj	175
24.6	Omgang med og brug af batteridrevet værktøj	176
24.7	Service	176

1 Forord

Kære kunde

Vi er glade for, at du har valgt STIHL. Vi udvikler og producerer vores produkter i topkvalitet efter vores kunders behov. Dermed kan vi fremstille produkter med høj pålidelighed, selv ved ekstrem belastning.

STIHL står også for topkvalitet ved service. Vores forhandlere giver garanti for kompetent rådgivning og vejledning samt omfattende teknisk service.

Vi takker for din tillid og håber, at du får stor glæde af dit STIHL-produkt.



Dr. Nikolas Stihl

VIGTIGT! SKAL LÆSES FØR BRUG OG OPBEVARES.

2 Oplysninger om denne brugsvejledning

2.1 Gældende dokumenter

De lokale sikkerhedsforskrifter er gældende.

- ▶ Ud over denne brugsvejledning skal følgende dokumenter læses, forstås og opbevares:
 - Informationer om universalolien STIHL Multioil Bio: www.stihl.com/safety-data-sheets
 - Sikkerhedsinformationer for STIHL-batterier og -produkter med indbygget batteri: www.stihl.com/safety-data-sheets

2.2 Markering af advarselshenvisninger i teksten



FARE

Henvisningen gør opmærksom på farer, som medfører alvorlige kvæstelser eller død.

- ▶ De nævnte foranstaltninger kan medføre alvorlige kvæstelser eller død.



ADVARSEL

Henvisningen henviser til farer, som **kan** medføre alvorlige kvæstelser eller død.

- ▶ De nævnte foranstaltninger kan medføre alvorlige kvæstelser eller død.

BEMÆRK

Henvisningen henviser til farer, som kan medføre materielle skader.

- ▶ De nævnte foranstaltninger kan forhindre materielle skader.

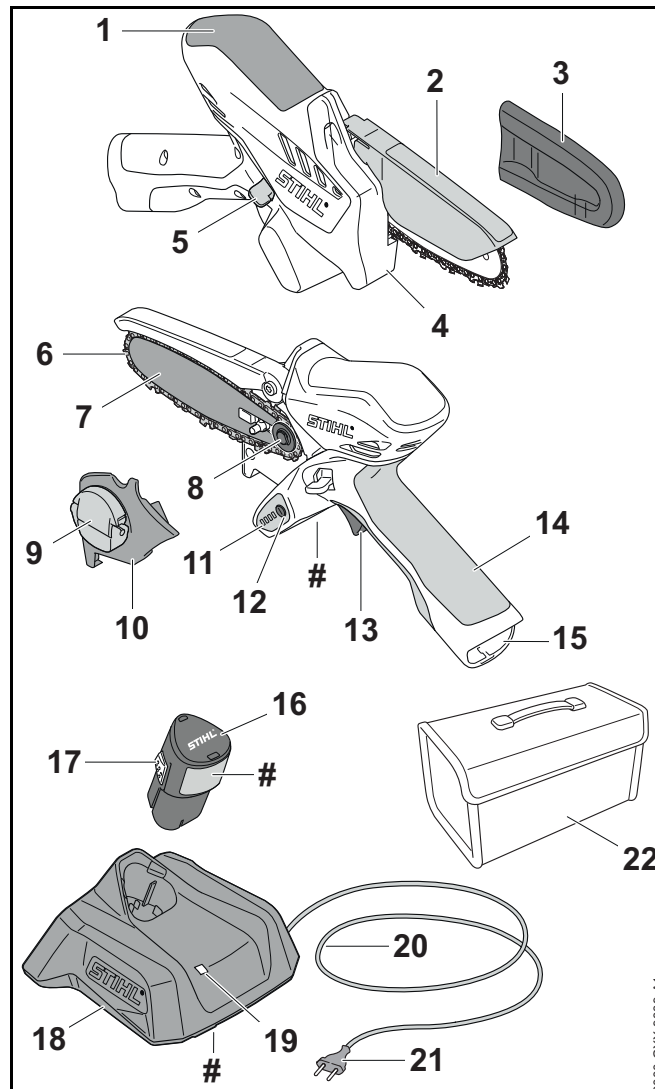
2.3 Symboler i teksten



Dette symbol henviser til et kapitel i denne brugsvejledning.

3 Oversigt

3.1 Træskærer, batteri og oplader



1 Gribested

Gribestedet anvendes til at holde og føre træskæreren.

2 Beskyttelseskappe

Beskyttelseskappen beskytter mod kontakt med savkæden.

3 Kædebeskyttelse

Kædebeskyttelsen beskytter mod kontakt med savkæden.

4 Anslag

Anslaget støtter træskæreren på træet under arbejdet.

5 Spærrehåndtag

Spærrehåndtaget låser kontaktarmen op.

6 Savkæde

Savkæden skærer træet.

7 Sværd

Sværdet fører savkæden.

8 Kædehjul

Kædehjulet driver savkæden.

9 Vingemøtrik

Vingemøtrikken fastgør kædehjulsdækslet på træskæreren.

10 Kædehjulsdæksel

Kædehjulsdækslet afdækker kædehjulet og fastgør sværdet på træskæreren.

11 LED'er

LED'erne viser batteriets ladetilstand og fejl.

12 Trykknop

Trykknappen aktiverer LED'erne på træskæreren.

13 Kontaktarm

Kontaktarmen tænder og slukker træskæreren.

14 Betjeningshåndtag

Betjeningshåndtaget anvendes til at betjene, holde og føre træskæreren.

15 Batteriskakt

Batteriskakten holder batteriet.

16 Batteri

Batteriet forsyner træskæreren med energi.

17 Holdekrog

Holdekrogen holder batteriet i batteriskakten.

18 Oplader

Opladeren oplader batteriet.

19 LED

LED'en viser opladerens status.

20 Tilslutningsledning

Tilslutningsledningen forbinder opladeren med netstikket.

21 Netstik

Netstikket forbinder tilslutningsledningen med en stikdåse

22 Taske

Tasken er beregnet til at transportere og opbevare træskæreren, batteriet og opladeren. Tasken er kun indeholdt i sættets leveringsomfang (bestående af træskærer, batteri og oplader).

Effektskilt med maskinnummer**3.2 Symboler**

Symbolerne, der kan være at finde på træskæreren, batteriet og opladeren, har følgende betydning:



Dette symbol viser savkædens køreretning.




LED'en lyser eller blinker grønt. Batteriet lades op.





LED'en blinker rødt. Der er ingen elektrisk kontakt mellem batteriet og opladeren, eller der er en fejl i batteriet eller opladeren.





Længden for et sværd, som må anvendes.

 **L_{WA}** Garanteret lydeffektniveau iht. direktivet 2000/14/EF i dB(A) til at sammenligne lydmissioner fra produkter.

 Angivelsen ved siden af symbolet henviser til batteriets energiindhold iht. celleproducentens specifikation. Det energiindhold, som er til rådighed for anvendelsen, er lavere.

 Det elektriske redskab skal anvendes i et lukket og tørt rum.


 Produktet må ikke bortskaffes som husholdningsaffald.


 Sørg for, at denne brugsvejledning læses, forstås og opbevares.


4 Sikkerhedshenvisninger


4.1 Advarselssymboler

Advarselssymbolerne på træskæreren, batteriet eller opladeren har følgende betydning:

 Følg sikkerhedsanvisningerne og de tilhørende foranstaltninger.

 Sørg for, at denne brugsvejledning læses, forstås og opbevares.

 Bær sikkerhedsbriller.

 Hold træskæreren fast med begge hænder.



Berør ikke savkæden, når den bevæger sig.



Tag batteriet ud under pauser i arbejdet, transport, opbevaring, vedligeholdelse eller reparation.



Beskyt træskæreren og opladeren mod regn og fugt.



Beskyt batteriet mod varme og ild.



Beskyt batteriet mod regn og fugt, og sænk det ikke ned i væsker.

4.2 Formålsbestemt anvendelse

Træskæreren STIHL GTA 26 er beregnet til at skære træ.

Træskæreren må ikke anvendes i regnvejr.

Batteriet STIHL AS forsyner træskæreren med energi.

Opladeren STIHL AL 1 oplader batteriet STIHL AS.

ADVARSEL

- Batterier og opladere, som ikke er godkendt til træskæreren af STIHL, kan forårsage brande og eksplosioner. Personer kan pådrage sig alvorlige kvæstelser eller udsættes for livsfare, og der kan opstå materielle skader.
 - Anvend træskæreren med et batteri STIHL AS.
 - Oplad batteriet STIHL AS med en oplader STIHL AL 1.

- Hvis træskæreren, batteriet eller opladeren ikke anvendes i overensstemmelse med formålet, kan personer blive alvorligt kvæstet, og der kan opstå materielle skader.
 - ▶ Anvend træskæreren, batteriet og opladeren, som det er beskrevet i denne brugsanvisning.

4.3 Krav til brugeren

⚠ ADVARSEL

- Brugere, der ikke er blevet instrueret, kan ikke genkende eller vurdere de farer, som træskæreren, batteriet og opladeren udgør. Brugeren eller andre personer kan pådrage sig alvorlige kvæstelser eller udsættes for livsfare.



- ▶ Sørg for, at denne brugsvejledning læses, forstås og opbevares.

- ▶ Hvis træskæreren, batteriet eller opladeren videregives til en anden person: Lad brugsvejledningen følge med.
- ▶ Sørg for, at brugeren opfylder følgende krav:
 - Brugeren er udhvilet.
 - Brugeren er fysisk, sensorisk og mentalt i stand til at betjene træskæreren, batteriet og opladeren og arbejde med dem. Hvis brugeren har fysiske, sensoriske eller mentale begrænsninger, må brugeren kun

arbejde med trimmeren under opsyn eller efter anvisning fra en ansvarlig person.

- Brugeren kan genkende og vurdere de farer, som træskæreren og batteriet kan give anledning til.
 - Brugeren er myndig, eller brugeren uddannes under opsyn til et erhverv efter nationale forskrifter.
 - Brugeren har fået en instruktion fra en STIHL-forhandler eller en fagkyndig person, inden vedkommende anvender træskæreren og opladeren første gang.
 - Brugeren er ikke påvirket af alkohol, medicin eller stoffer.
- ▶ Hvis du er i tvivl: Kontakt en STIHL-forhandler.

4.4 Beklædning og udstyr

⚠ ADVARSEL

- Mens arbejdet foregår, kan langt hår blive trukket ind i træskæreren. Brugeren kan pådrage sig alvorlige kvæstelser.
 - ▶ Langt hår skal bindes op og fæstnes, så det befinder sig over skulderhøjde.
- Under arbejdet kan genstande slynges op med høj hastighed. Brugeren kan pådrage sig kvæstelser.



- ▶ Bær tætsiddende sikkerhedsbriller. Egnede sikkerhedsbriller er kontrolleret iht. standard EN 166 eller nationale forskrifter og kan købes i handlen med den pågældende identifikation.

- ▶ Bær lange bukser.

- Nedfaldende genstande kan medføre hovedlæsioner.
 - ▶ Hvis der kan falde genstande ned under arbejdet: Bær en beskyttelseshjelm.
- Der kan hvirvles støv op under arbejdet. Indåndet støv kan skade helbredet og udløse allergiske reaktioner.
 - ▶ Hvis der hvirvles støv op: Bær en støvbeskyttelsesmaske.
- Uegnet tøj kan blive fanget af træ, grene og træskæreren. Brugere uden egnet tøj kan pådrage sig alvorlige kvæstelser.
 - ▶ Bær tætsiddende tøj.
 - ▶ Tag tørklæder og smykker af.
- Under arbejdet kan brugeren skære sig på træ. Under rensning eller vedligeholdelse kan brugeren komme i kontakt med savkæden. Brugeren kan pådrage sig kvæstelser.
 - ▶ Bær arbejdshandsker af modstandsdygtigt materiale.
- Ved brug af sko, der er uegnede til arbejdet, kan brugeren glide. Brugeren kan pådrage sig kvæstelser.
 - ▶ Bær fast og lukket skotøj med skridsikre sål.

4.5 Arbejdsområde og omgivelser

4.5.1 Træskærer

ADVARSEL

- Uvedkommende personer, børn og dyr kan ikke genkende og vurdere de farer, der udgår fra træskæreren og de udslyngede genstande. Uvedkommende personer, børn og dyr kan pådrage sig alvorlige kvæstelser, og der kan opstå materielle skader.
 - ▶ Uvedkommende personer, børn og dyr skal holdes væk fra arbejdsområdet.
 - ▶ Efterlad ikke træskæreren uden opsyn.
 - ▶ Sørg for, at børn ikke kan lege med træskæreren.

- Træskæreren er ikke vandbeskyttet. Hvis der arbejdes i regnvejr eller fugtige omgivelser, kan der opstå elektrisk stød. Brugeren kan pådrage sig kvæstelser, og træskæreren kan blive beskadiget.



- ▶ Arbejd ikke i regnvejr eller i fugtige omgivelser.

- Træskæreren elektriske komponenter kan danne gnister. Gnister kan udløse brande eller eksplosioner i let antændelige eller eksplosive omgivelser. Personer kan pådrage sig alvorlige kvæstelser eller udsættes for livsfare, og der kan opstå materielle skader.
 - ▶ Arbejd ikke i omgivelser, der er let antændelige eller eksplosive.

4.5.2 Batteri

ADVARSEL

- Uvedkommende personer, børn og dyr kan ikke genkende og vurdere de farer, der er forbundet med batteriet. Uvedkommende personer, børn eller dyr kan pådrage sig alvorlige kvæstelser.
 - ▶ Hold uvedkommende personer, børn og dyr væk.
 - ▶ Efterlad ikke batteriet uden opsyn.
 - ▶ Sørg for, at børn ikke kan lege med batteriet.
 - Batteriet er ikke beskyttet mod alle påvirkninger fra omgivelserne. Hvis batteriet udsættes for bestemte omgivelsespåvirkninger, kan der gå ild i det, eller det kan eksplodere. Personer kan pådrage sig alvorlige kvæstelser, og der kan opstå materielle skader.
 - ▶ Beskyt batteriet mod varme og ild.
 - ▶ Kast ikke batteriet i åben ild.
- ▶ Anvend og opbevar batteriet i temperaturområdet mellem - 20 °C og + 50 °C.





- Beskyt batteriet mod regn og fugt, og sænk det ikke ned i væsker.

- Hold metalliske genstande væk fra batteriet.
- Batteriet må ikke udsættes for højt tryk.
- Batteriet må ikke udsættes for mikrobølger.
- Beskyt batteriet mod kemikalier og salte.

4.5.3 Oplader

⚠ ADVARSEL

- Uvedkommende personer og børn kan ikke genkende og vurdere de farer, som udgår fra opladeren og den elektriske strøm. Uvedkommende personer, børn og dyr kan pådrage sig alvorlige kvæstelser eller udsættes for livsfare.

- Hold uvedkommende personer, børn og dyr væk.

- Sørg for, at børn ikke kan lege med opladeren.

- Opladeren er ikke beskyttet mod vand. Hvis der arbejdes i regnvejrr eller fugtige omgivelser, kan der opstå elektrisk stød. Brugeren kan blive kvæstet, og opladeren kan blive beskadiget.



- Enheden må ikke anvendes i regn og fugtige omgivelser.

- Opladeren er ikke beskyttet mod alle påvirkninger fra omgivelserne. Hvis opladeren udsættes for bestemte omgivelsespåvirkninger, kan der gå ild i opladeren, eller den kan eksplodere. Personer kan pådrage sig alvorlige kvæstelser, og der kan opstå materielle skader.

- Anvend opladeren i et lukket og tørt rum.
- Opladeren må ikke anvendes i omgivelser, der er letantændelige eller eksplosive.
- Anvend ikke opladeren på et letantændeligt underlag.

- Anvend og opbevar opladeren i temperaturområdet mellem - 20 °C og + 50 °C.

- Personer kan snuble over tilslutningsledningen. Personer kan blive kvæstet, og opladeren kan blive beskadiget.
- Før tilslutningsledningen fladt hen over gulvet.

4.6 Sikker tilstand

4.6.1 Træskærer

Træskæreren er i sikker tilstand, når følgende betingelser er opfyldt:


- Træskæreren er ubeskadiget.
- Træskæreren er ren og tør.
- Beskyttelseskappen er monteret.
- Beskyttelseskappen er ubeskadiget og uændret.
- Betjeningslementerne fungerer og er ikke blevet ændrede.
- Savkæden er smurt.
- Slidsporene på kædehjulet er ikke dybere end 0,5 mm.
- Der er monteret en kombination af sværd og savkæde, som er angivet i denne brugsvejledning.
- Sværdet og savkæden er monteret korrekt.
- Savkæden er spændt korrekt.
- Der er kun monteret originalt STIHL-tilbehør til denne træskærer.
- Tilbehøret er monteret korrekt.

⚠ ADVARSEL

- I tilfælde af en ikke-sikkerhedskonform tilstand kan komponenterne ikke længere fungere korrekt, og sikkerhedsanordningerne sættes ud af kraft. Personer kan pådrage sig alvorlige kvæstelser eller udsættes for livsfare.
 - ▶ Arbejd med en ubeskadiget træskærer.
 - ▶ Hvis træskæreren er tilsmudset eller våd: Rengør træskæreren, og lad den tørre.
 - ▶ Ændr ikke på træskæreren. Undtagelse: Opbygning af en kombination af sværd og savkæde, som er angivet i denne brugsvejledning.
 - ▶ Anvend kun træskæreren med monteret beskyttelseskappe.
 - ▶ Hvis træskæreren er beskadiget eller ændret: Arbejd ikke med træskæreren.
 - ▶ Hvis betjeningselementerne ikke fungerer: Arbejd ikke med træskæreren.
 - ▶ Monter kun originalt STIHL-tilbehør til denne træskærer.
 - ▶ Monter sværdet og savkæden, som det er beskrevet i denne brugsvejledning.
 - ▶ Monter tilbehøret på den måde, som beskrives i denne brugsvejledning eller i tilbehørets brugsvejledning.
 - ▶ Der må ikke stikkes genstande gennem træskærerenes åbninger.
 - ▶ Udskift slidte eller beskadigede informationsskilte.
 - ▶ Hvis du er i tvivl: Kontakt en STIHL-forhandler.

4.6.2 Sværd

Sværdet har en sikker tilstand, når følgende betingelser er opfyldt:

- Sværdet er ubeskadiget.
- Sværdet er ikke deformt.
- Noten er lige så dyb eller dybere end den min. notdybde,  19.3.

- Noten er ikke indsnævret eller udvidet.

⚠ ADVARSEL

- I en usikker tilstand kan sværdet ikke længere føre savkæden korrekt. Den kørende savkæde kan ryge af sværdet. Personer kan pådrage sig alvorlige kvæstelser eller udsættes for livsfare.
 - ▶ Arbejd ikke med et beskadiget sværd.
 - ▶ Hvis notens dybde er mindre end den min. notdybde: Udskift sværdet.
 - ▶ Hvis du er i tvivl: Kontakt en STIHL-forhandler.

4.6.3 Savkæde

Savkæden har en sikker tilstand, når følgende betingelser er opfyldt:

- Savkæden er ubeskadiget.
- Savkæden er slebet korrekt.
- Slidmarkeringerne er synlige på skæretænderne.

⚠ ADVARSEL

- I tilfælde af en ikke-sikkerhedskonform tilstand kan komponenterne ikke længere fungere korrekt, og sikkerhedsanordningerne sættes ud af kraft. Personer kan pådrage sig alvorlige kvæstelser eller udsættes for livsfare.
 - ▶ Arbejd ikke med en beskadiget savkæde.
 - ▶ Slib savkæden korrekt.
 - ▶ Hvis du er i tvivl: Kontakt en STIHL-forhandler.

4.6.4 Batteri

Batteriet er i sikkerhedsmæssig korrekt tilstand, når følgende betingelser er opfyldt:

- Batteriet er ubeskadiget.
- Batteriet er rent og tørt.
- Batteriet fungerer og er uændret.

⚠ ADVARSEL

- I ikke sikkerhedsmæssig korrekt tilstand fungerer batteriet ikke længere sikkert. Der er risiko for alvorlig kvæstelse af personer.
 - ▶ Sørg for at arbejde med et ubeskadiget og fungerende batteri.
 - ▶ Oplad ikke et beskadiget eller defekt batteri.
 - ▶ Hvis batteriet er snavset eller vådt: Rengør batteriet, og lad det tørre.
 - ▶ Batteriet må ikke ændres.
 - ▶ Stik ikke genstande ind i åbningerne på batteriet.
 - ▶ Batteriets elektriske kontakter må ikke forbindes med metalgenstande og kortsluttes.
 - ▶ Batteriet må ikke åbnes.
 - ▶ Udskift slidte eller beskadigede henvisningsskilte.
- Der kan sive væske ud af et beskadiget batteri. Hvis væsken kommer i kontakt med huden eller øjnene, kan der forekomme hud- og øjenirritation.
 - ▶ Undgå kontakt med væsken.
 - ▶ Ved kontakt med huden: Vask de berørte hudpartier med rigelige mængder vand og sæbe.
 - ▶ Ved kontakt med øjnene: Skyl øjnene i mindst 15 minutter med rigelige mængder vand, og søg læge.
- Et beskadiget eller defekt batteri kan lugte mærkeligt, ryge eller brænde. Der er risiko for alvorlige kvæstelser eller dødsfald og materielle skader.
 - ▶ Hvis batteriet lugter mærkeligt eller ryger: Brug ikke batteriet, og hold det væk fra brændbare materialer.
 - ▶ Hvis batteriet brænder: Forsøg at slukke branden i batteriet med en brandslukker eller vand.

4.6.5 Oplader

Opladeren er i en sikkerhedskonform tilstand, hvis følgende betingelser er opfyldt:

- Opladeren er ubeskadiget.

- Opladeren er ren og tør.

⚠ ADVARSEL

- I tilfælde af en ikke-sikkerhedskonform tilstand kan komponenterne ikke længere fungere korrekt, og sikkerhedsanordningerne sættes ud af kraft. Personer kan pådrage sig alvorlige kvæstelser eller udsættes for livsfare.
 - ▶ Anvend en ubeskadiget oplader.
 - ▶ Hvis opladeren er tilsmudset eller våd: Rengør opladeren, og lad den tørre.
 - ▶ Opladeren må ikke ændres.
 - ▶ Der må ikke stikkes genstande gennem opladerens åbninger.
 - ▶ Opladerens elektriske kontakter må ikke forbindes og kortsluttes med metalliske genstande.
 - ▶ Opladeren må ikke åbnes.

4.7 Arbejde

⚠ ADVARSEL

- Hvis der ikke befinder sig personer inden for råbeafstand uden for arbejdsområdet, kan der ikke ydes hjælp i et nødstilfælde.
 - ▶ Sørg for, at der befinder sig personer inden for råbeafstand uden for arbejdsområdet.
- Brugeren kan i visse situationer ikke længere arbejde koncentreret. Brugeren kan miste kontrollen over træskæreren, snuble, falde og komme alvorligt til skade.
 - ▶ Arbejdet skal udføres roligt og velovervejet.
 - ▶ Hvis lysforholdene og udsynet er ringe: Arbejd ikke med træskæreren.
 - ▶ Betjen træskæreren alene.
 - ▶ Arbejd ikke over skulderhøjde.
 - ▶ Vær opmærksom på forhindringer.

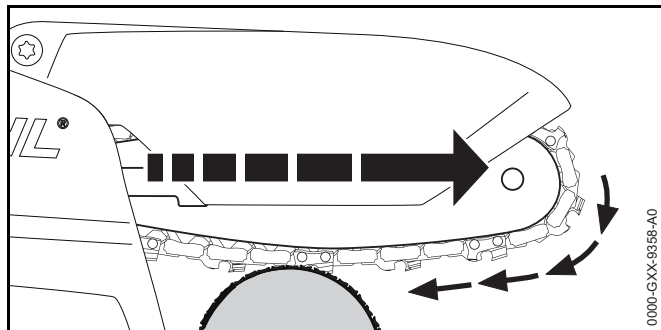
- ▶ Arbejd stående på jorden, og hold balancen. Hvis der skal arbejdes i højden: Anvend en løfteplatform eller et sikkert stillads.
- ▶ Hvis der opstår træthedssymptomer: Hold en pause i arbejdet.
- Når savkæden kører, kan den skære brugeren. Brugeren kan pådrage sig alvorlige kvæstelser.
 - ▶ Rør ikke ved savkæden, når den kører.
 - ▶ Hvis savkæden er blokeret af en genstand: Sluk træskæreren, og tag batteriet ud. Først derefter må genstanden fjernes.
- Når savkæden kører, bliver den varm og udvider sig. Hvis savkæden ikke smøres og efterspændes tilstrækkeligt, kan savkæden rives over eller springe af sværdet. Personer kan pådrage sig alvorlige kvæstelser, og der kan opstå materielle skader.
 - ▶ Anvend universalolien Stihl Multioil Bio eller en sammenlignelig, biologisk nedbrydelig universalolie.
 - ▶ Smør savkæden, mens der arbejdes med den, efter hver opladning.
 - ▶ Kontrollér savkædens spænding regelmæssigt under arbejdet. Hvis savkædens spænding er for slap: Spænd savkæden.
- Under arbejdet kan sværdet, savkæden og kædehjulet blive varme. Brugeren kan blive forbrændt.
 - ▶ Rør ikke ved sværdet, savkæden og kædehjulet.
 - ▶ Vent, til sværdet, savkæden og kædehjulet er kølet af.
 - ▶ Bær arbejdshandsker af modstandsdygtigt materiale.
- Hvis træskæreren ændrer sig eller reagerer på en usædvanlig måde under arbejdet, kan træskæreren befinde sig i en usikker tilstand. Personer kan pådrage sig alvorlige kvæstelser, og der kan opstå materielle skader.
 - ▶ Afslut arbejdet, tag batteriet ud, og kontakt en STIHL-forhandler.
- Under arbejdet kan der opstå vibrationer, som udgår fra træskæreren.
 - ▶ Bær handsker.
 - ▶ Hold pauser under arbejdet.
 - ▶ Såfremt der opstår tegn på manglende blodcirkulation: Søg læge.
- Hvis savkæden støder på en hård genstand, mens den kører, kan der opstå gnister. Gnister kan udløse brand i letantændelige omgivelser. Personer kan pådrage sig alvorlige kvæstelser eller udsættes for livsfare, og der kan opstå materielle skader.
 - ▶ Arbejd ikke i letantændelige omgivelser.
- Når kontaktarmen slippes, fortsætter savkæden med at køre i kort tid. Når savkæden kører, kan den skære personer. Personer kan pådrage sig alvorlige kvæstelser.
 - ▶ Vent, indtil savkæden ikke kører længere.

FARE

- Hvis der arbejdes i nærheden af spændingsførende ledninger, kan savkæden komme i kontakt med de spændingsførende ledninger og beskadige dem. Brugeren kan pådrage sig alvorlige kvæstelser eller udsættes for livsfare.
 - ▶ Arbejd ikke i nærheden af spændingsførende ledninger.

4.8 Reaktionskræfter

4.8.1 Reaktionskræfter



Når der arbejdes med sværdets underside, trækkes træskæreren væk fra brugeren.

⚠ ADVARSEL

- Hvis den kørende savkæde rammer en hård genstand og bremses kraftigt, kan træskæreren pludseligt og meget kraftigt trækkes væk fra brugeren. Det kan medføre kvæstelser.
 - ▶ Hold træskæreren fast med begge hænder.
 - ▶ Arbejd på den måde, som beskrives i denne brugsvejledning.
 - ▶ Arbejd med monteret beskyttelseskappe.
 - ▶ Arbejd med en ubeskadiget og uændret beskyttelseskappe.
 - ▶ Arbejd med en korrekt slebet og korrekt spændt savkæde.
 - ▶ Før sværdet lige i snittet.
 - ▶ Sæt anslaget korrekt.
 - ▶ Arbejd med fuld gas.

4.9 Opladning

⚠ ADVARSEL

- Under opladningen kan en beskadiget eller defekt oplader lugte usædvanligt eller ryge. Personer kan blive kvæstet, og der kan opstå materielle skader.
 - ▶ Træk netstikket ud af stikdåsen.
- Opladeren kan overophede i tilfælde af utilstrækkelig varmebortledning og være årsag til en brand. Personer kan blive alvorligt kvæstet eller dræbt, og der kan opstå materielle skader.
 - ▶ Opladeren må ikke dækkes til.

4.10 Elektrisk tilslutning

Kontakt med strømførende komponenter kan opstå på baggrund af følgende årsager:

- Tilslutningsledningen eller forlængerledningen er beskadiget.
- Tilslutningsledningens eller forlængerledningens netstik er beskadiget.
- Stikdåsen er ikke installeret korrekt.


⚠ FARE

- Kontakt med strømførende komponenter kan medføre elektrisk stød. Brugeren kan pådrage sig alvorlige kvæstelser eller udsættes for livsfare.
 - ▶ Kontrollér, at tilslutningsledningen, forlængerledningen og deres netstik ikke er beskadiget.



Hvis tilslutningsledningen eller forlængerledningen er defekt eller beskadiget:

- ▶ Berør ikke det beskadigede sted.
 - ▶ Træk netstikket ud af stikdåsen.
- ▶ Tilslutningsledningen, forlængerledningen og deres netstik må kun berøres med tørre hænder.
- ▶ Stik tilslutningsledningens eller forlængerledningens netstik ind i en korrekt installeret og afsikret stikdåse med beskyttelseskontakt.

- ▶ Tilslut opladeren via en fejlstrømsafbryder (30 mA, 30 ms).
- En beskadiget eller uegnet forlængerledning kan medføre elektrisk stød. Personer kan pådrage sig alvorlige kvæstelser eller udsættes for livsfare.
 - ▶ Anvend en forlængerledning, der har det korrekte ledningstværsnit,  19.6.

ADVARSEL

- Under opladningen kan en forkert netspænding eller en forkert netfrekvens medføre overspænding i opladeren. Opladeren kan blive beskadiget.
 - ▶ Kontrollér, at netspændingen og netfrekvensen i strømnettet stemmer overens med angivelserne på opladerens effektskilt.
- Hvis tilslutningsledningen og forlængerledningen er ført forkert, kan de blive beskadiget, og personer kan snuble over dem. Personer kan pådrage sig kvæstelser, og tilslutningsledningen, eller forlængerledningen kan blive beskadiget.
 - ▶ Tilslutningsledningen og forlængerledningen skal installeres og mærkes således, at ingen personer kan snuble over dem.
 - ▶ Før tilslutningsledningen og forlængerledningen på en sådan måde, at de ikke bliver spændt ud eller viklet ind i hinanden.
 - ▶ Tilslutningsledningen og forlængerledningen skal installeres således, at de ikke kan blive beskadiget, bukket, klemt eller gnide mod hinanden.
 - ▶ Beskyt tilslutningsledningen og forlængerledningen mod varme, olie og kemikalier.
 - ▶ Før tilslutningsledningen og forlængerledningen på et tørt underlag.

- Forlængerledningen bliver varm under arbejdet. Der opstår brandfare, hvis varmen ikke kan bortledes.
 - ▶ Hvis der anvendes en kabeltromle: Afvikl kabeltromlen fuldstændigt.
- Hvis elektriske ledninger og rør er installeret i væggen, kan de tage skade, når opladeren monteres på væggen. Kontakt med elledninger kan medføre strømstød. Personer kan pådrage sig alvorlige kvæstelser, og der kan opstå materielle skader.
 - ▶ Kontrollér, at der på monteringsstedet ikke er installeret elledninger og rør i væggen.
- Hvis opladeren ikke er monteret på væggen som beskrevet, kan opladeren eller batteriet falde ned eller opladeren blive for varm. Personer kan pådrage sig kvæstelser, og der kan opstå materielle skader.
 - ▶ Monter opladeren på en væg, som det er beskrevet i betjeningsvejledningen.
- Hvis opladeren med isat batteri monteres på en væg, kan batteriet falde ud af opladeren. Personer kan pådrage sig kvæstelser, og der kan opstå materielle skader.
 - ▶ Først skal opladeren monteres på væggen, og derefter skal batteriet sættes i.

4.11 Transport

4.11.1 Træskærer

ADVARSEL

- Under transporten kan træskæreren vælte eller flytte sig. Personer kan pådrage sig kvæstelser, og der kan opstå materielle skader.



- ▶ Tag batteriet ud.

- ▶ Skub kædebeskyttelsen over sværdet, så hele sværdet dækkes.
- ▶ Transportér træskæreren i den medfølgende taske.

- ▶ Hvis der ikke medfølger nogen taske: Sikr træskæreren med stropper, bæltter eller et net, så den ikke kan vælte og ikke kan bevæge sig.

4.11.2 Batteri

⚠ ADVARSEL

- Batteriet er ikke beskyttet mod alle påvirkninger fra omgivelserne. Hvis batteriet udsættes for bestemte omgivelsesbetingelser, kan batteriet tage skade, og der kan opstå materielle skader.
 - ▶ Transportér ikke et beskadiget batteri.
 - ▶ Transportér batteriet i den medfølgende taske.
 - ▶ Hvis der ikke medfølger nogen taske: Transportér batteriet i en emballage uden elektrisk ledeevne.
- Under transporten kan batteriet vælte eller flytte sig. Personer kan pådrage sig kvæstelser, og der kan opstå materielle skader.
 - ▶ Pak batteriet i emballagen på en sådan måde, at det ikke kan flytte sig.
 - ▶ Emballagen skal sikres, så den ikke kan flytte sig.

4.11.3 Oplader

⚠ ADVARSEL

- Under transporten kan opladeren vælte eller flytte sig. Personer kan pådrage sig kvæstelser, og der kan opstå materielle skader.
 - ▶ Træk netstikket ud af stikdåsen.
 - ▶ Tag batteriet ud.
 - ▶ Transportér opladeren i den medfølgende taske.
 - ▶ Hvis der ikke medfølger nogen taske: Sikr opladeren med stropper, bæltter eller et net, så den ikke kan vælte og ikke kan bevæge sig.

- Tilslutningsledningen er ikke beregnet til at bære opladeren. Tilslutningsledningen og opladeren kan blive beskadiget.
 - ▶ Rul tilslutningsledningen op, og fastgør den på opladeren.

4.12 Opbevaring

4.12.1 Træskærer

⚠ ADVARSEL

- Børn kan ikke genkende eller vurdere træskærerens farer. Børn kan pådrage sig alvorlige kvæstelser.



- ▶ Tag batteriet ud.

- ▶ Skub kædebeskyttelsen over sværdet, så hele sværdet dækkes.
- ▶ Opbevar træskæreren uden for børns rækkevidde.
- De elektriske kontakter på træskæreren og metalliske komponenter kan korrodere som følge af fugtighed. Træskæreren kan blive beskadiget.



- ▶ Tag batteriet ud.

- ▶ Opbevar træskæreren rent og tørt.

4.12.2 Batteri

⚠ ADVARSEL

- Børn kan ikke genkende eller vurdere batteriets farer. Børn kan pådrage sig alvorlige kvæstelser.
 - ▶ Opbevar batteriet uden for børns rækkevidde.
- Batteriet er ikke beskyttet mod alle påvirkninger fra omgivelserne. Hvis batteriet udsættes for bestemte omgivelsespåvirkninger, kan batteriet blive beskadiget.
 - ▶ Opbevar batteriet rent og tørt.
 - ▶ Opbevar batteriet i et lukket rum.
 - ▶ Opbevar batteriet separat fra træskæreren og opladeren.
 - ▶ Opbevar batteriet i en emballage uden elektrisk ledeevne.
 - ▶ Opbevar batteriet i temperaturområdet mellem - 20 °C og + 70 °C.

4.12.3 Oplader

⚠ ADVARSEL

- Børn kan ikke genkende eller vurdere opladerens farer. Børn kan pådrage sig alvorlige kvæstelser eller udsættes for livsfare.
 - ▶ Tag batteriet ud.
 - ▶ Opbevar opladeren uden for børns rækkevidde.
- Opladeren er ikke beskyttet mod alle påvirkninger fra omgivelserne. Hvis opladeren udsættes for bestemte omgivelsespåvirkninger, kan opladeren blive beskadiget.
 - ▶ Tag batteriet ud.
 - ▶ Hvis opladeren er varm: Lad opladeren køle af.
 - ▶ Opbevar opladeren rent og tørt.
 - ▶ Opbevar opladeren i et lukket rum.
 - ▶ Opbevar opladeren i temperaturområdet mellem - 20 °C og + 70 °C.

- Tilslutningsledningen er ikke beregnet til at bære opladeren eller hænge den op. Tilslutningsledningen og opladeren kan blive beskadiget.
 - ▶ Tag fat om huset ved opladeren, og hold den fast. Der findes en gribeåbning på opladeren, så det er lettere at løfte opladeren.
 - ▶ Hæng opladeren op på vægholderen.

4.13 Rengøring, vedligeholdelse og reparation

⚠ ADVARSEL

- Hvis batteriet er sat i under rengøring, vedligeholdelse eller reparation, kan træskæreren tændes utilsigtet. Personer kan pådrage sig alvorlige kvæstelser, og der kan opstå materielle skader.



- ▶ Tag batteriet ud.

- Kraftige rengøringsmidler, rengøring med vandstråle eller skarpe genstande kan beskadige træskæreren, sværdet, savkæden, batteriet og opladeren. Hvis træskæreren, sværdet, savkæden, batteriet eller opladeren ikke rengøres korrekt, kan komponenterne ikke længere fungere korrekt, og sikkerhedsanordningerne kan sættes ud af kraft. Personer kan pådrage sig alvorlige kvæstelser.
 - ▶ Rengør træskæreren, sværdet, savkæden, batteriet og opladeren, som det er beskrevet i brugsvejledningen.
- Hvis træskæreren, sværdet, savkæden, batteriet eller opladeren ikke vedligeholdes eller repareres korrekt, kan komponenterne ikke længere fungere korrekt, og sikkerhedsanordningerne kan sættes ud af kraft. Personer kan pådrage sig alvorlige kvæstelser eller udsættes for livsfare.
 - ▶ Du må ikke selv vedligeholde eller reparere træskæreren, batteriet og opladeren.
 - ▶ Hvis træskæreren, batteriet eller opladeren skal vedligeholdes eller repareres: Kontakt en STIHL-forhandler.

- ▶ Vedligehold eller reparer sværdet og savkæden, som det er beskrevet i brugsvejledningen.
- Under rengøringen eller vedligeholdelsen af savkæden kan brugeren skære sig på de skarpe skæretænder. Brugeren kan pådrage sig kvæstelser.
 - ▶ Bær arbejdshandsker af modstandsdygtigt materiale.

5 Gør træskæreren klar til brug

5.1 Gør træskæreren klar til brug

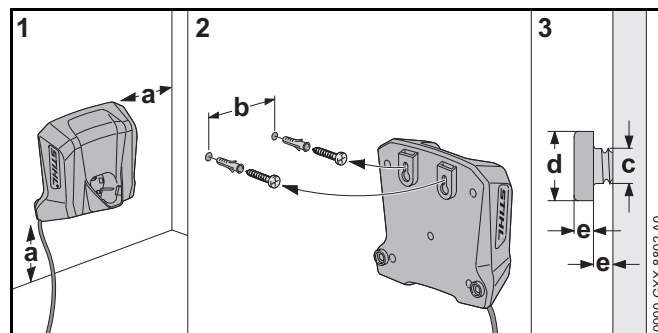
Udfør altid følgende trin, inden arbejdet påbegyndes:

- ▶ Kontrollér, at følgende komponenter er i sikkerhedskonform tilstand:
 - Træskærer, 4.6.1.
 - Sværd, 4.6.2.
 - Savkæde, 4.6.3.
 - Batteri, 4.6.4.
 - Oplader, 4.6.5.
- ▶ Kontrollér batteriet, 10.6.
- ▶ Lad batteriet helt op, 6.2.
- ▶ Rengør træskæreren, 15.1.
- ▶ Monter sværd og savkæde, 7.1.1.
- ▶ Spænd savkæden, 7.2.
- ▶ Smør savkæden, 7.3.
- ▶ Kontrollér betjeningselementerne, 10.5.
 - ▶ Hvis 3 LED'er blinker rødt under kontrol af betjeningselementerne: Tag batteriet ud, og kontakt en STIHL-forhandler. Der er en fejl i træskæreren.
- ▶ Hvis disse trin ikke kan gennemføres: Anvend ikke træskæreren, og kontakt en STIHL-forhandler.

6 Opladning af batteriet og LED'er

6.1 Montering af opladeren på en væg

Opladeren kan monteres på en væg.



- ▶ Monter opladeren på en væg, så følgende betingelser opfyldes:

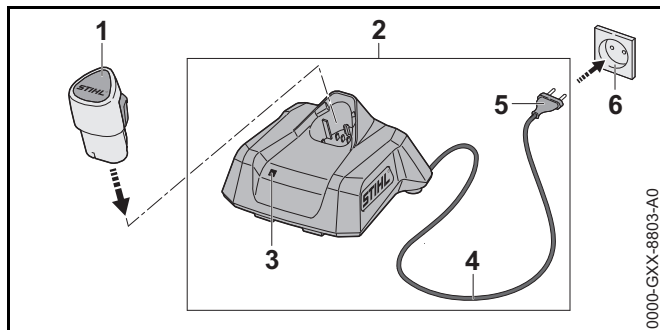
- Eget fastgørelsesmateriale er anvendt.
- Opladeren skal være vandret.
- Følgende mål er overholdt:
 - a = mindst 100 mm
 - b = 54 mm
 - c = 4,5 mm
 - d = 9 mm
 - e = 2,5 mm

6.2 Opladning af batteriet

Opladningstiden afhænger af forskellige faktorer, f.eks. af batteriets temperatur eller af omgivelsernes temperatur. Den faktiske opladningstid kan afvige fra den angivne opladningstid. Opladningstiden er angivet på www.stihl.com/charging-times.

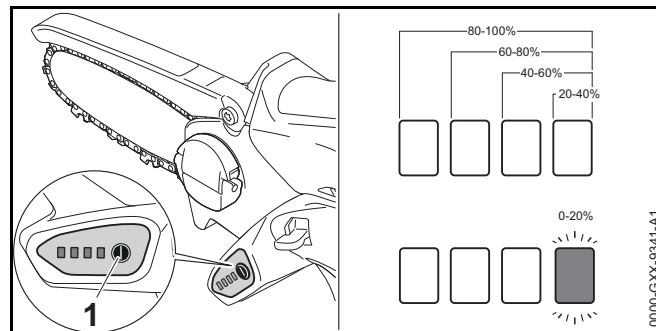
Hvis netstikket er sat ind i en stikdåse, og batteriet er sat ind i opladeren, starter opladningen automatisk. Når batteriet er ladet helt op, slukker opladeren automatisk.

Batteriet og opladeren bliver varme under opladningen.



- ▶ Sæt netstikket (5) i en stikdåse (6), som er lettilgængeligt placeret. Opladeren (2) udfører en selvtest. LED'en (3) lyser grønt i ca. 1 sekund og rødt i ca. 1 sekund.
- ▶ Før tilslutningsledningen (4).
- ▶ Sæt batteriet (1) i opladerens føringer (2), og tryk det i indtil anslag. LED'en (3) lyser eller blinker grønt. Batteriet (2) lades op.
- ▶ Hvis LED'en (3) ikke længere lyser: Batteriet (1) er fuldt opladet og kan tages ud af opladeren (2).
- ▶ Hvis opladeren (2) ikke længere anvendes: Træk netstikket (5) ud af stikdåsen (6).

6.3 Visning af ladetilstanden



- ▶ Sæt batteriet i.
- ▶ Tryk på trykknappen (1). LED'erne lyser grønt i ca. 5 sekunder og viser ladetilstanden.
- ▶ Hvis den højre LED blinker grønt: Oplad batteriet.

6.4 LED'er på træskæreren

LED'erne kan vise batteriets ladetilstand eller fejl. LED'erne kan lyse eller blinke grønt eller rødt.

Hvis LED'erne lyser eller blinker grønt, vises ladetilstanden.

- ▶ Hvis LED'erne lyser eller blinker rødt: Afhjælp fejl, 18. Der er en fejl i træskæreren eller batteriet.

6.5 LED på opladeren

LED'en viser opladerens status eller fejl. LED'en kan lyse eller blinke grønt eller rødt.

Hvis LED'en lyser eller blinker grønt, bliver batteriet ladet op.

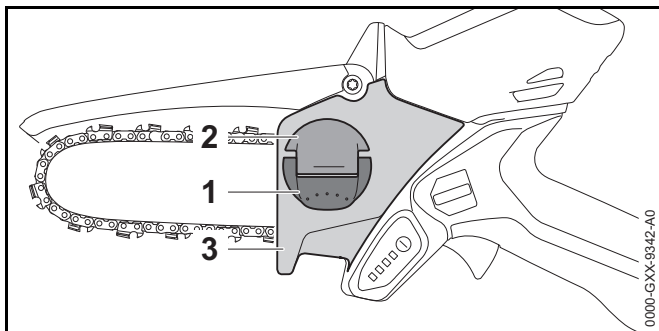
- ▶ Hvis LED'en lyser eller blinker rødt: Afhjælp fejl, 18. Der er en fejl i opladeren eller i batteriet.

7 Saml træskæreren

7.1 Af- og påmonter sværdet og savkæden

7.1.1 Afmonter sværdet og savkæden

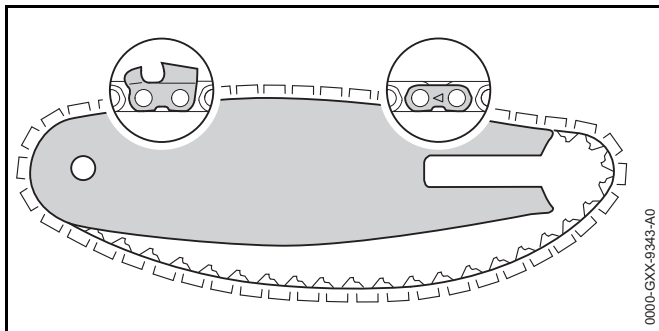
- ▶ Sluk for træskæreren, og tag batteriet ud.



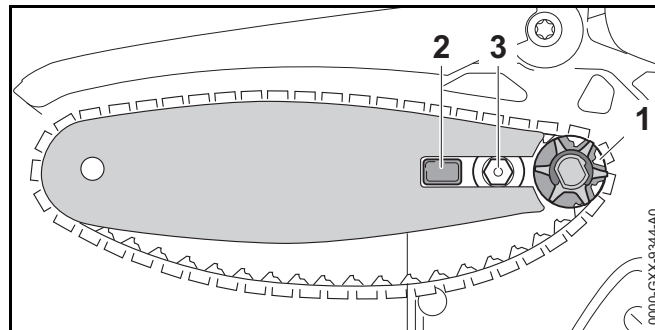
- ▶ Klap grebet (1) til vingemøtrikken (2) op.
- ▶ Drej vingemøtrikken (2) så langt mod uret, indtil kædehjulsdækslet (3) kan tages af.
- ▶ Tag kædehjulsdækslet (3) af.
- ▶ Tag sværdet og savkæden af.

7.1.2 Monter sværdet og savkæden

Kombinationerne af sværd og savkæde, som passer og kan monteres, er angivet i de tekniske data, 20.1.



- ▶ Læg savkæden i sværdets not, så pilene på savkædens forbindelsesled peger opad på den øverste side i køreretningen.



- ▶ Sæt sværdet samt savkæden på træskæreren, så følgende betingelser opfyldes:
 - Savkædens drivled sidder i kædehjulets tænder (1).
 - Tappen (2) sidder i sværdets langhul.
 - Kraveskruen (3) sidder i sværdets langhul.

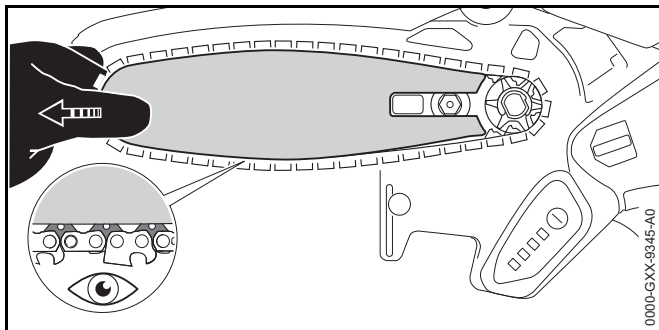
Det spiller ingen rolle, hvilken vej sværdet vender. Påskriften på sværdet kan også være vendt på hovedet.

- ▶ Spænd savkæden.
- ▶ Læg kædehjulsdækslet på træskæreren, så det flugter med træskæreren.
- ▶ Drej vingemøtrikken så langt med uret, indtil kædehjulsdækslet sidder fast på træskæreren.
- ▶ Klap grebet til vingemøtrikken ned.

7.2 Spænd savkæden

Savkæden udvider sig og trækker sig sammen under arbejdet. Savkædens spænding ændrer sig. Under arbejdet skal savkædens spænding kontrolleres og efterspændes regelmæssigt.

- ▶ Sluk for træskæreren, og tag batteriet ud.



- ▶ Klap grebet til vingemøtrikken op.
- ▶ Drej vingemøtrikken 2 omdrejninger mod uret. Vingemøtrikken er løsnet.

⚠ ADVARSEL

Savkædens skæretænder er skarpe. Brugeren kan skære sig.

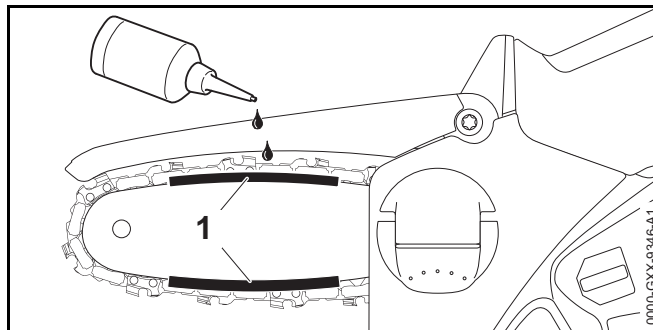
- ▶ Bær arbejdshandsker af modstandsdygtigt materiale.
- ▶ Flyt sværdet så langt til venstre eller højre, at følgende betingelser er opfyldt:
 - Kun det halve af savkædens drivled kan ses på undersiden af sværdet.
- ▶ Drej vingemøtrikken så langt med uret, indtil kædehjulsdækslet sidder fast på træskæreren.
- ▶ Hvis savkæden stadig kan trækkes over sværdet med to fingre og begrænset kraftanstrengelse: Savkæden er rigtigt spændt.
- ▶ Hvis det hele af savkædens drivled kan ses på undersiden af sværdet: Spænd savkæden igen.
- ▶ Klap grebet til vingemøtrikken ned.

7.3 Smør savkæden

Universalolien Stihl Multioil Bio eller en sammenlignelig, biologisk nedbrydelig universalolie smører og nedkøler den omløbende savkæde.

- ▶ Sluk for træskæreren, og tag batteriet ud.

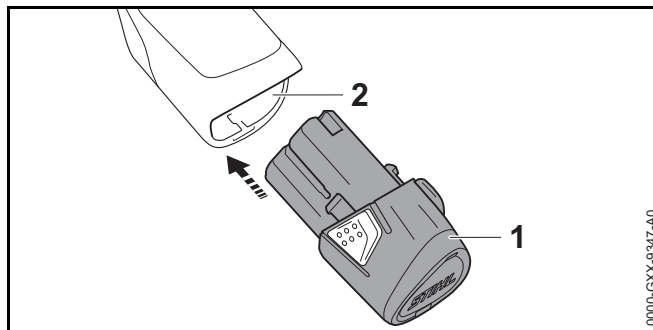
- ▶ Læg træskæreren på en jævn underflade, så kædehjulsdækslet peger opad.
- ▶ Rengør sværdet og savkæden med en pensel, en blød børste eller STIHL-harpiksløser.



- ▶ Påfør universalolie i området (1) mellem sværdet og savkæden.
- ▶ Sæt batteriet i.
- ▶ Tænd træskæreren. Universalolien fordeler sig på savkæden. Savkæden er smurt.

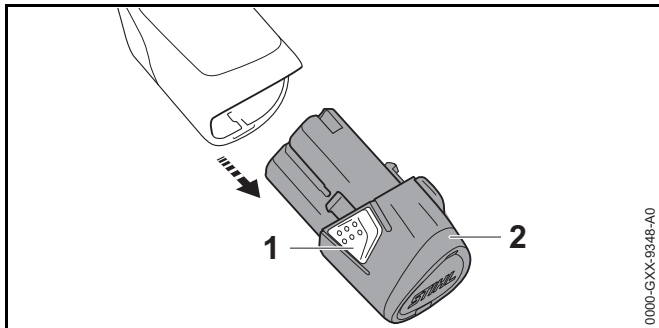
8 Isætning og udtagning af batteriet

8.1 Isætning af batteri



- ▶ Tryk batteriet (1) ned indtil anslag i batteriskakten (2). Batteriet (1) går i hak med et klik.

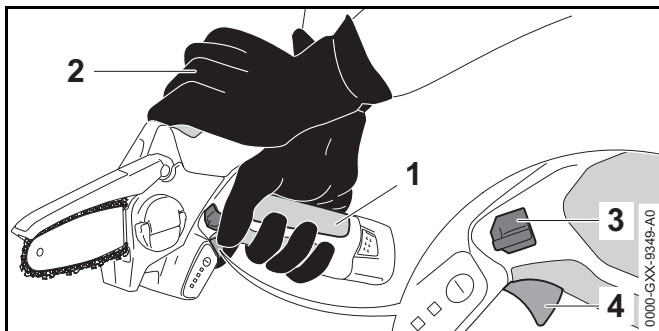
8.2 Tag batteriet ud



- ▶ Tryk på begge holdekrøge (1).
Batteriet (2) er nu ulåst og kan tages ud.

9 Tænd og sluk træskæreren

9.1 Tænd træskæreren



- ▶ Hold træskæreren med en hånd på betjeningshåndtagets gribeområde (1), således at tommelfingeren når rundt om betjeningshåndtaget.
- ▶ Hold træskæreren med den anden hånd på gribestedet (2), og før den.
- ▶ Tryk på spærrehåndtaget (3) ned med tommelfingeren, og hold det nede.

- ▶ Tryk kontaktarmen (4) ned med pegefingern, og hold den nede.
Træskæreren accelererer, og savkæden kører.
Spærrehåndtaget (3) kan slippes.

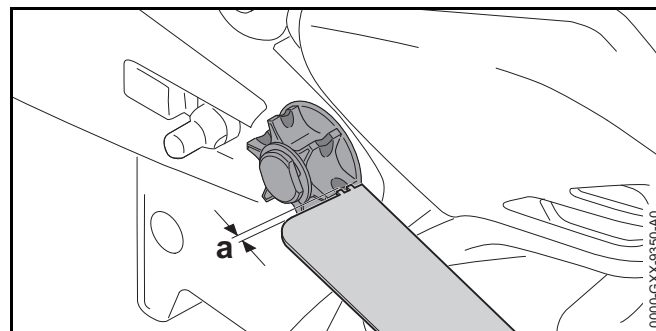
9.2 Sluk træskæreren

- ▶ Slip kontaktarmen.
Savkæden kører ikke længere.
- ▶ Hvis savkæden forsætter med at køre: Tag batteriet ud, og opsig en STIHL-forhandler.
Træskæreren er defekt.

10 Kontrollér træskæreren og batteriet

10.1 Kontrollér kædehjulet

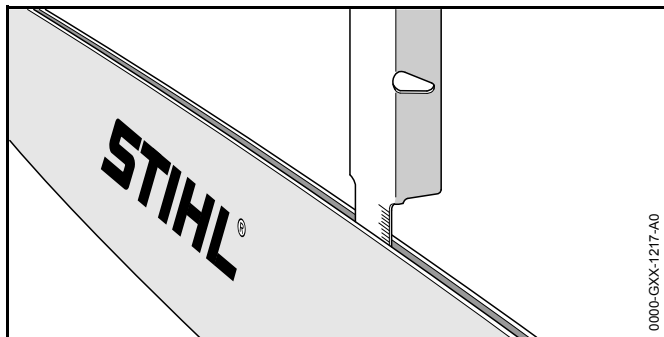
- ▶ Sluk for træskæreren, og tag batteriet ud.
- ▶ Afmonter kædehjulsdækslet.
- ▶ Afmonter sværdet og savkæden.



- ▶ Kontrollér indløbssporene på kædehjulet med en STIHL-referencelære.
- ▶ Hvis indløbssporene er mindre end $a = 0,5$ mm:
Træskæreren må ikke anvendes, kontakt en STIHL-forhandler.
Kædehjulet skal udskiftes.

10.2 Kontrol af sværdet

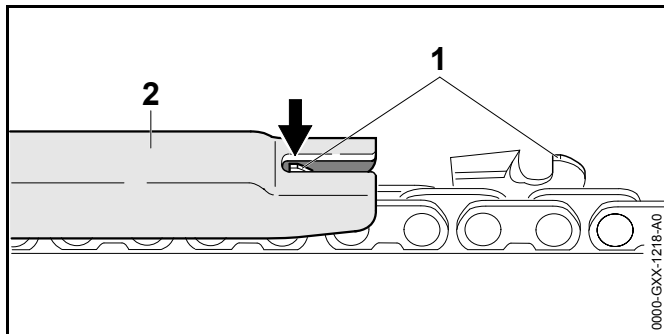
- ▶ Sluk for træskæreren, og tag batteriet ud.
- ▶ Afmontér savkæden og sværdet.



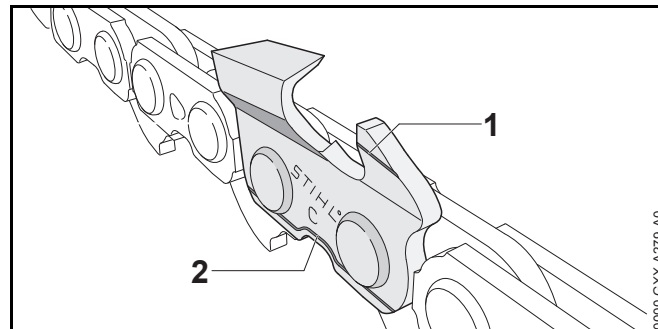
- ▶ Mål sværdets notdybde med en målestav på en STIHL-fillære.
- ▶ Udskift sværdet, hvis en af følgende betingelser opfyldes:
 - Sværdet er beskadiget.
 - Den målte notdybde er mindre end sværdets minimumsnotdybde, 19.3.
 - Sværdets not er indsnævret eller udvidet.
- ▶ Hvis du er i tvivl: Kontakt en STIHL-forhandler.

10.3 Kontrollér savkæden

- ▶ Sluk for træskæreren, og tag batteriet ud.



- ▶ Mål højden af dydbegrænseren (1) med en STIHL-filelære (2). STIHL-filelæren skal passe til savkædens deling.
- ▶ Hvis en dydbegrænser (1) er over filelæren (2): Efterfil dydbegrænser (1), 16.1.



- ▶ Kontrollér, om slidmarkeringerne (1 og 2) er synlige på skæretænderne.
- ▶ Hvis en af slidmarkeringerne på en skæretand ikke længere er synlig: Anvend ikke savkæden, og kontakt en STIHL forhandler.
- ▶ Kontrollér med en STIHL-filelære, om skæretændernes slibevinkel på 30° overholdes. STIHL-filelæren skal passe til savkædens deling.
- ▶ Hvis slibevinklen på 30° ikke overholdes: Slib savkæden.
- ▶ Hvis du er i tvivl: Kontakt en STIHL-forhandler.

10.4 Kontrollér beskyttelseskappen

- ▶ Tag batteriet ud.

ADVARSEL

Savkædens skæretænder er skarpe. Brugeren kan skære sig.

- ▶ Bær arbejdshandsker af modstandsdygtigt materiale.
- ▶ Klap beskyttelseskappen op, og giv slip. Beskyttelseskappen fjedrer tilbage til udgangspositionen.

- ▶ Hvis beskyttelseskappen går trægt eller ikke fjeder tilbage til udgangspositionen: Træskæreren må ikke anvendes, kontakt en STIHL-forhandler. Beskyttelseskappen er defekt.

10.5 Kontrollér betjeningselementerne

Spærrehåndtag og kontaktarm

- ▶ Tag batteriet ud.
- ▶ Forsøg at trykke på kontaktarmen uden at trykke på spærrehåndtaget.
- ▶ Hvis kontaktarmen giver efter: Kontakt en STIHL-forhandler. Spærrehåndtaget er defekt.
- ▶ Tryk på spærrehåndtaget, og hold det nede.
- ▶ Tryk på kontaktarmen, og lad den igen gå fri.
- ▶ Hvis kontaktarmen går trægt eller ikke fjeder tilbage til udgangsposition: Anvend ikke træskæreren, og opsøg en STIHL-forhandler. Kontaktarmen er defekt.

Tænd træskæreren

- ▶ Sæt batteriet i.
- ▶ Tryk på spærrehåndtaget, og hold det nede.
- ▶ Tryk på kontaktarmen, og hold den nede. Savkæden kører.
- ▶ Hvis 3 LED'er blinker rødt: Fjern batteriet, og kontakt en STIHL-forhandler. Der er en fejl i træskæreren.
- ▶ Slip kontaktarmen. Savkæden kører ikke længere.
- ▶ Hvis savkæden forsætter med at køre: Tag batteriet ud, og opsøg en STIHL-forhandler. Træskæreren er defekt.

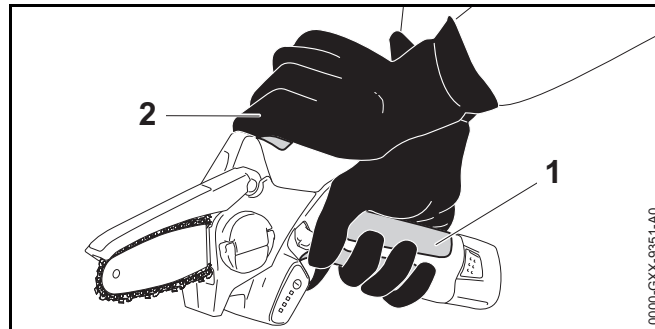
10.6 Kontrollér batteriet

- ▶ Sæt batteriet i.
- ▶ Tryk på knappen på træskæreren. LED'erne lyser eller blinker.

- ▶ Hvis LED'erne ikke lyser eller blinker: Anvend ikke træskæreren, og kontakt en STIHL-forhandler. Der er en fejl i træskæreren eller batteriet.

11 Arbejd med træskæreren

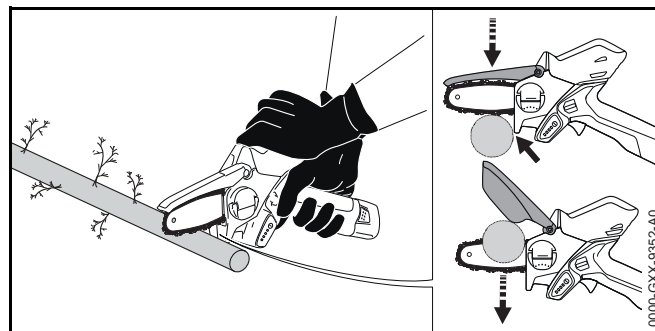
11.1 Hold træskæreren og før den



- ▶ Hold træskæreren med en hånd på betjningshåndtagets gribeområde (1), og før den, således at tommelfingeren når rundt om betjningshåndtaget.
- ▶ Hold træskæreren med den anden hånd på gribestedet (2), og før den.

11.2 Klipping

- ▶ Før sværdet med fuld gas ind i snittet.



- ▶ Sæt anslaget imod, og anvend det som drejepunkt.
- ▶ Før sværdet fuldstændigt gennem træet.
- ▶ Ved afslutning af snittet skal træskærerens vægt opfanges.
- ▶ Skær grene enkeltvis.

12 Efter arbejdet

12.1 Efter arbejdet

- ▶ Sluk for træskæreren, og tag batteriet ud.
- ▶ Hvis træskæreren er våd: Lad træskæreren tørre.
- ▶ Hvis batteriet er vådt: Lad batteriet tørre.
- ▶ Rengør træskæreren.
- ▶ Rengør sværdet og savkæden.
- ▶ Skub kædebeskyttelsen over sværdet, så hele sværdet dækkes.
- ▶ Rengør batteriet.

13 Transport

13.1 Transportér træskæreren

- ▶ Sluk for træskæreren, og tag batteriet ud.
- ▶ Skub kædebeskyttelsen over sværdet, så hele sværdet dækkes.

Sådan bæres træskæreren

- ▶ Hold træskæreren med en hånd på betjeningshåndtaget, så sværdet peger nedad.

Transport af træskæreren i et køretøj

- ▶ Transportér træskæreren i den medfølgende taske.
- ▶ Sørg for at sikre tasken, så tasken ikke kan vælte og bevæge sig.

- ▶ Hvis der ikke medfølger nogen taske: Sikr træskæreren med stropper, bæltter eller et net, så træskæreren ikke kan vælte og ikke kan bevæge sig.

13.2 Transportér batteriet

- ▶ Sluk for træskæreren, og tag batteriet ud.
- ▶ Kontrollér, at batteriet er i en sikker tilstand.
- ▶ Pak batteriet i den medfølgende taske.
- ▶ Hvis der ikke medfølger nogen taske: Pak batteriet, så følgende betingelser opfyldes:
 - Emballagen er ikke elektrisk ledende.
 - Batteriet kan ikke flytte sig i emballagen.
- ▶ Emballagen skal sikres, så den ikke kan flytte sig.

Batteriet er underlagt kravene for transport af farligt gods. Batteriet er klassificeret som UN 3480 (litium-ion-batterier) og er blevet kontrolleret iht. FN-håndbogen angående kontroller og kriterier, del III, afsnit 38.3.

Transportbestemmelserne findes på www.stihl.com/safety-data-sheets.

13.3 Transportér opladeren

- ▶ Træk netstikket ud af stikdåsen.
- ▶ Tag batteriet ud.
- ▶ Rul tilslutningsledningen op, og fastgør den på opladeren.
- ▶ Hvis opladeren transporteres i et køretøj:
 - ▶ Transportér opladeren i den medfølgende taske.
 - ▶ Sørg for at sikre tasken, så tasken ikke kan vælte og bevæge sig.
 - ▶ Hvis der ikke medfølger nogen taske: Sikr opladeren med stropper, bæltter eller et net, så opladeren ikke kan vælte og ikke kan bevæge sig.

14 Opbevaring

14.1 Opbevar træskæreren

- ▶ Sluk for træskæreren, og tag batteriet ud.

- ▶ Skub kædebeskyttelsen over sværdet, så hele sværdet dækkes.
- ▶ Opbevar træskæreren, så følgende betingelser opfyldes:
 - Træskæreren er uden for børns rækkevidde.
 - Træskæreren er ren og tør.
 - Savkæden er smurt.

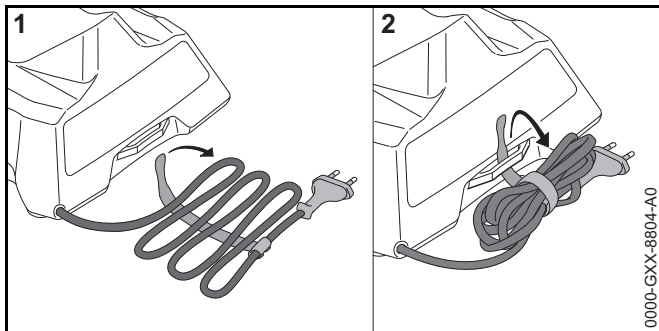
14.2 Opbevar batteriet

STIHL anbefaler at opbevare batteriet med en ladetilstand på mellem 40 % og 60 % (2 grønne LED'er lyser).

- ▶ Opbevar batteriet, så følgende betingelser opfyldes:
 - Batteriet er uden for børns rækkevidde.
 - Batteriet er rent og tørt.
 - Batteriet er i et lukket rum.
 - Batteriet er adskilt fra træskæreren og opladeren.
 - Batteriet er i en emballage uden elektrisk ledeevne.
 - Batteriet er i temperaturområdet mellem - 20 °C og + 60 °C.

14.3 Opbevaring af opladeren

- ▶ Træk netstikket ud af stikdåsen.
- ▶ Tag batteriet ud.



- ▶ Opvikl tilslutningsledningen, og fastgør den på opladeren.
- ▶ Opbevar opladeren, så følgende betingelser opfyldes:
 - Opladeren er uden for børns rækkevidde.
 - Opladeren er ren og tør.

- Opladeren befinder sig i et lukket rum.
- Opladeren er adskilt fra batteriet.
- Opladeren er ikke hængt op i tilslutningsledningen.
- Opladeren befinder sig i temperaturområdet mellem - 20 °C og + 60 °C.

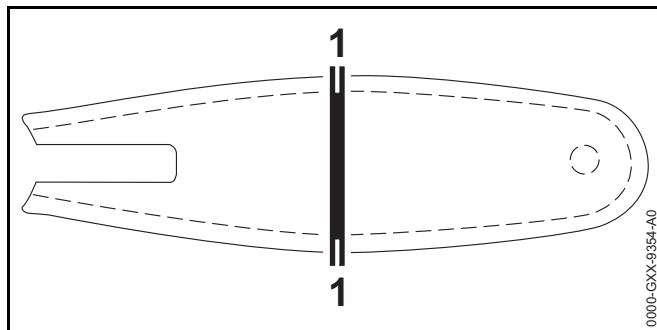
15 Rengøring

15.1 Rengør træskæreren

- ▶ Sluk for træskæreren, og tag batteriet ud.
- ▶ Rengør træskæreren med en fugtig klud og STIHL-harpiksløsner.
- ▶ Afmonter kædehjulsdækslet.
- ▶ Rengør området omkring kædehjulet med en fugtig klud og STIHL-harpiksløsner.
- ▶ Fremmedlegemer fjernes fra batteriskakten, og skakten rengøres med en fugtig klud.
- ▶ Elektriske kontakter i batteriskakten rengøres med en pensel eller en blød børste.
- ▶ Monter kædehjulsdækslet.

15.2 Rengør sværdet og savkæden

- ▶ Sluk for træskæreren, og tag batteriet ud.
- ▶ Afmonter sværdet og savkæden.



- ▶ Rengør noten (1) med en pensel, en blød børste eller STIHL-harpiksløsner.
- ▶ Rengør savkæden med en pensel, en blød børste eller STIHL-harpiksløsner.
- ▶ Monter sværd og savkæde.
- ▶ Smør savkæden.

15.3 Rengøring af batteriet

- ▶ Rengør batteriet med en fugtig klud.

15.4 Rengøring af opladeren

- ▶ Træk netstikket ud af stikdåsen.
- ▶ Rengør opladeren med en fugtig klud.
- ▶ Rengør opladerens elektriske kontakter med en pensel eller en blød børste.

16 Vedligeholdelse

16.1 Slibning af savkæde

Det kræver meget øvelse at slibe en savkæde korrekt.

STIHL-file, STIHL-filguider, STIHL-slibemaskiner og brochuren „Slibning af STIHL-savkæder“ hjælper dig med at slibe savkæden korrekt. Brochuren er tilgængelig her: www.stihl.com/sharpening-brochure.

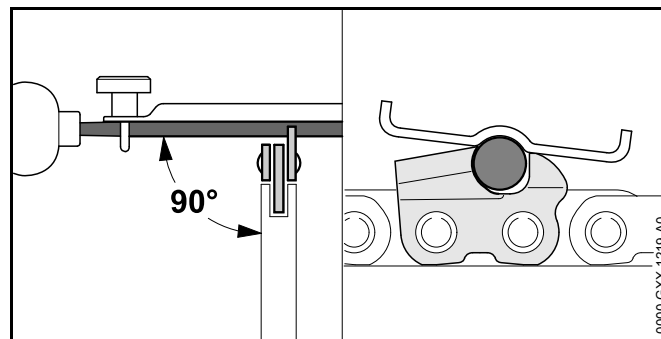
STIHL anbefaler at få savkæderne slebet hos en STIHL-forhandler.



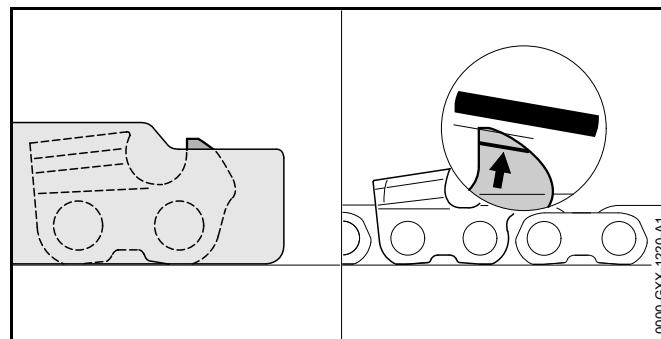
ADVARSEL

Savkædens skæretænder er skarpe. Brugeren kan skære sig.

- ▶ Bær arbejdshandsker af modstandsdygtigt materiale.



- ▶ Fil hver skæretand med en rundfil, således at følgende betingelser er opfyldt:
 - Rundfilen passer til savkædens deling.
 - Rundfilen føres indefra og ud.
 - Rundfilen føres i en ret vinkel i forhold til sværdet.
 - Slibe vinklen på 30° overholdes.



- ▶ Fil dybdebegrænseren med en fladfil, så den flugter med STIHL-filelåren og er parallel med slidmarkeringerne. STIHL-filelåren skal passe til savkædens deling.
- ▶ Hvis du er i tvivl: Kontakt en STIHL-forhandler.

17 Reparation


17.1 Reparer træskærer, batteri og oplader

Brugeren kan ikke selv reparere træskæreren, sværdet, savkæden, batteriet og opladeren.

- ▶ Hvis træskæreren, sværdet eller savkæden er beskadiget: Anvend ikke træskæreren, sværdet eller savkæden, og kontakt en STIHL-forhandler.
- ▶ Hvis batteriet er defekt eller beskadiget: Udskift batteriet.
- ▶ Hvis opladeren er defekt eller beskadiget: Udskift opladeren.
- ▶ Hvis tilslutningsledningen er defekt eller beskadiget: Opladeren må ikke anvendes. Få tilslutningsledningen udskiftet hos en STIHL-forhandler.

18 Afhjælpning af fejl

18.1 Afhjælp fejl i træskæreren eller batteriet

Fejl	LED'er på træskæreren	Årsag	Afhjælpning
Træskæreren starter ikke, når den tændes.	1 LED blinker grønt.	Batteriets ladetilstand er for lav.	▶ Oplad batteriet.
	1 LED lyser rødt.	Batteriet er for varmt eller for koldt.	▶ Tag batteriet ud. ▶ Lad batteriet køle af eller blive varmt.
	3 LED'er blinker rødt.	Der er en fejl i træskæreren.	▶ Tag batteriet ud. ▶ Rengør de elektriske kontakter i batteriskakten. ▶ Sæt batteriet i. ▶ Tænd træskæreren. ▶ Hvis 3 LED'er fortsat blinker rødt: Batteriet må ikke bruges, kontakt en STIHL-forhandler.
	3 LED'er lyser rødt.	Træskæreren er for varm.	▶ Tag batteriet ud. ▶ Lad træskæreren køle af.
	4 LED'er blinker rødt.	Der er en fejl i batteriet.	▶ Tag batteriet ud, og sæt det i igen. ▶ Tænd træskæreren. ▶ Hvis de 4 LED'er fortsat blinker rødt: Batteriet må ikke bruges, kontakt en STIHL-forhandler.
		Den elektriske forbindelse mellem træskæreren og batteriet er afbrudt.	▶ Tag batteriet ud. ▶ Rengør de elektriske kontakter i batteriskakten. ▶ Sæt batteriet i.
		Træskæreren eller batteriet er fugtigt.	▶ Lad træskæreren eller batteriet tørre.
		Savkæden er klemt fast.	▶ Tag batteriet ud. ▶ Rengør træskæreren,  15.1.
Træskæreren slukker under drift.	3 LED'er lyser rødt.	Træskæreren er for varm.	▶ Tag batteriet ud. ▶ Lad træskæreren køle af.
		Der er en elektrisk fejl.	▶ Tag batteriet ud, og sæt det i igen. ▶ Tænd træskæreren.

Fejl	LED'er på træskæreren	Årsag	Afhjælpning
Træskærerenes skæreeffekt er mindsket.	1 LED blinker grønt.	Batteriets ladetilstand er for lav.	► Oplad batteriet.
		Savkæden er ikke slebet korrekt.	► Slib savkæden korrekt.
		Savkæden er spændt for kraftigt.	► Spænd savkæden korrekt.
		Savkæden er ikke smurt tilstrækkeligt.	► Smør savkæden.
Træskærerenes driftstid er for kort.		Batteriet er ikke ladet helt op.	► Lad batteriet helt op.
		Batteriets levetid er overskredet.	► Udskift batteriet.

18.2 Afhjælpning af fejl i opladeren

Fejl	LED på opladeren	Årsag	Afhjælpning
Batteriet lades ikke op.	LED'en lyser rødt.	Batteriet er for varmt eller for koldt.	► Sæt batteriet i opladeren. Opladningen starter automatisk, så snart den tilladte temperatur er nået.
	LED'en blinker rødt.	Den elektriske forbindelse mellem opladeren og batteriet er afbrudt.	► Tag batteriet ud. ► Rengør de elektriske kontakter på opladeren. ► Sæt batteriet i.
		Der er en fejl i opladeren.	► Opladeren må ikke anvendes, kontakt en STIHL-forhandler.
		Der er en fejl i batteriet.	► Batteriet må ikke anvendes, kontakt en STIHL-forhandler.
Opladeren udfører ikke nogen selvtest.	LED'en lyser ikke grønt i ca. 1 sekund og rødt i ca. 1 sekund.	Den elektriske forbindelse til opladeren blev kort afbrudt.	► Træk netstikket ud af stikdåsen. ► Vent i 1 minut. ► Sæt netstikket i stikkontakten.

19 Tekniske data

19.1 Træskærer STIHL GTA 26

- Tilladt batteri: STIHL AS
- Vægt uden batteri, med sværd og savkæde: 1,2 kg

Batteriets levetid kan ses her: www.stihl.com/battery-life.

19.2 Kædehjul

Følgende kædehjul kan anvendes:

- 6-tandet til 1/4" P

19.3 Sværdenes min. notdybde

Den min. notdybde afhænger af sværdets deling.

- 1/4" P: 4 mm

19.4 Batteri STIHL AS

- Batteriteknologi: litium-ion
- Spænding: 10,8 V
- Kapacitet i Ah: Se effektskilt
- Energiindhold i Wh: Se effektskilt
- Vægt i kg: se mærkepladen
- Tilladt temperaturinterval for anvendelse og opbevaring: - 20 °C til + 50 °C

Hvis batteriet anvendes ved en temperatur, der er lavere end 0 °C eller højere end + 30 °C, kan batteriets funktionstid blive kortere, og træskærerens ydeevne mindskes .

19.5 Oplader STIHL AL 1

- Nominel spænding: se effektskilt
- Frekvens: se effektskilt
- Nominel effekt: se effektskilt

- Ladestrøm: se effektskilt
- Tilladt temperaturinterval for anvendelse og opbevaring: - 20 °C og + 50 °C
- Maksimalt energiindhold for det godkendte batteri STIHL AS: 12,5 Ah

Opladningstiderne er angivet på www.stihl.com/charging-times.

Hvis opladeren anvendes ved en lavere temperatur end + 5 °C eller ved en højere temperatur end + 30 °C, kan det forlænge opladningstiden.

19.6 Forlængerledninger

Hvis der anvendes en forlængerledning, skal dennes ledere mindst have følgende tværsnit afhængigt af spændingen og forlængerledningens længde:

Hvis den nominelle spænding på effektskiltet er mellem 220 V og 240 V:

- Ledningslængde op til 20 m: AWG 15/1,5 mm²
- Ledningslængde 20 m til 50 m: AWG 13 /2,5 mm²

Hvis den nominelle spænding på effektskiltet er mellem 100 V og 127 V:

- Ledningslængde op til 10 m: AWG 14/2,0 mm²
- Ledningslængde 10 m til 30 m: AWG 12 /3,5 mm²

19.7 Støj- og vibrationsværdier

K-værdien for lydtryksniveauet er på 2 dB(A). K-værdien for lydeffektniveauet er på 2 dB(A). K-værdien for vibrationsværdierne er på 2 m/s².

STIHL anbefaler brug af høreværn.

- Lydtryksniveau L_{pA} målt iht. EN 60745-2-13: 77 dB(A)
- Lydeffektniveau L_{WA} målt iht. EN 60745-2-13: 86 dB(A)
- Vibrationsværdi a_{hv} målt iht. EN 60745-2-13:
 - Betjeningshåndtag: 2,8 m/s²
 - Gribested: 2,9 m/s.

De angivne vibrationsværdier er målt efter en normeret kontrolmetode og kan anvendes til sammenligning af elektriske apparater. De faktisk optrædende vibrationsværdier kan afvige fra de angivne værdier, afhængigt af anvendelse. De angivne vibrationsværdier kan danne basis for en første vurdering af vibrationsbelastningen. Den faktiske vibrationsbelastning skal vurderes. Her kan der også tages hensyn til tidspunkter, hvor det elektriske apparat er frakoblet, og tidspunkter, hvor det er tændt, men kører uden belastning.

Oplysninger om opfyldelse af direktivet for arbejdstagernes eksponering for risici på grund af fysiske agenser (vibrationer) 2002/44/EF findes her www.stihl.com/vib.

19.8 REACH

REACH betegner en EF-forordning til registrering, vurdering og godkendelse af kemikalier.

Informationer om overholdelse af REACH-forordningen kan findes på www.stihl.com/reach .

20 Kombinationer af sværd og savkæder

20.1 Træskærer STIHL GTA 26

Døling	Drivleddets tykkelse/notbredde	Længde	Sværd	Antal tænder, styrestjerne	Antal drivled	Savkæde
1/4" P	1,1 mm	10 cm	Light	-	28	71 PM3 (type 3670)

Snitlængden for et sværd afhænger af den anvendte træskærer og savkæden. Den faktiske snitlængde for et sværd kan være mindre end den angivne længde.

21 Reservedele og tilbehør

21.1 Reservedele og tilbehør

STIHL Disse symboler kendetegner originale reservedele fra STIHL og originalt tilbehør fra STIHL.

STIHL anbefaler, at der anvendes originale reservedele fra STIHL og originalt tilbehør fra STIHL.

Originale reservedele fra STIHL og originalt tilbehør fra STIHL kan fås hos en STIHL-forhandler.

22 Bortskaffelse

22.1 Bortskaf træskærer, batteri og oplader

Informationer om bortskaffelsen kan fås hos en STIHL-forhandler.

- ▶ Træskærer, sværd, savkæde, batteri, oplader, tilbehør og emballage skal bortskaffes på en korrekt og miljøvenlig måde.

23 EU-overensstemmelseserklæring

23.1 Træskærer STIHL GTA 26

ANDREAS STIHL AG & Co. KG
Badstraße 115
D-71336 Waiblingen
Tyskland

erklærer som eneansvarlig, at

- konstruktionstype: Batteritræskærer
- Fabriksmærke: STIHL
- type: GTA 26
- serienummer: GA01

overholder de gældende bestemmelser i direktiverne 2011/65/EU, 2006/42/EF, 2014/30/EU og 2000/14/EF og er udviklet og produceret i overensstemmelse med de på produktionsdatoen gældende versioner af standarderne: EN 55014-1, EN 55014-2, EN 62841-1.

EF-typeafprøvningen iht. direktiv 2006/42/EF, art. 12.3, litra (b), er udført af: VDE Prüf- u. Zertifizierungsinstitut (NB 0366), Merianstraße 28, 63069 Offenbach, Tyskland

– Certificeringsnummer: 40050017

Ved påvisning af det målte og garanterede lydeffektniveau fulgtes retningslinjerne i direktiv 2000/14/EF, bilag V.

- Målt lydeffektniveau: 88 dB(A)
- Garanteret lydeffektniveau: 90 dB(A)


De tekniske dokumenter opbevares sammen med ANDREAS STIHL AG & Co. KG's produktgodkendelse.

Fremstillingsåret, fremstillingslandet og maskinnummeret er angivet på træskæreren.

Waiblingen, 3.2.2020

ANDREAS STIHL AG & Co. KG

p.p.



Dr. Jürgen Hoffmann, ansvarlig for dokumentation, retsfor skrifter og godkendelse

23.2 Overensstemmelsehenvi sning oplader STIHL AL 1

Denne oplader er produceret og markedsføres i overensstemmelse med følgende direktiver: 2014/35/EU, 2014/30/EU og 2011/65/EU.

Fremstillingsåret, fremstillingslandet og maskinnummeret er angivet på opladeren.

Den fuldstændige EF-overensstemmelseserklæring kan fås hos firmaet ANDREAS STIHL AG & Co. KG, Badstraße 115, 71336 Waiblingen, Tyskland.

24 Generelle advarselshenvisninger for el-værktøjer

24.1 Indledning

Dette kapitel gengiver de generelt formulerede almene sikkerhedshenvisninger i standarden EN/IEC 62841 om elektrisk motordrevet håndværktøj.

STIHL er forpligtet til at gengive disse tekster.

Sikkerhedshenvisningerne, der er angivet under "Elektrisk sikkerhed" for at undgå elektrisk stød, kan ikke anvendes i forbindelse med STIHL-batteriprodukter.



ADVARSEL

Læs alle sikkerhedshenvisninger og anvisninger, billedbeskrivelser og tekniske data, som afses elektrisk værktøj. Manglende overholdelse af følgende anvisninger kan medføre elektrisk stød, brand og/eller alvorlige kvæstelser. Opbevar alle sikkerhedshenvisninger og anvisninger til fremtidig brug.

Begrebet "elektrisk motordrevet", der anvendes i sikkerhedshenvisningerne, betegner eldrevet elektrisk værktøj (med ledning) eller batteridrevet elværktøj (uden ledning).

24.2 Sikkerhed på arbejdspladsen

- a) Sørg for, at arbejdsområdet er godt og rigtigt oplyst. Uorden eller uoplyste arbejdsområder øger faren for uheld.
- b) Brug ikke el-værktøj i eksplosionsfarlige omgivelser, hvor der findes brændbare væsker, gasser eller støv. El-værktøj kan slå gnister, som kan antænde støv eller dampe.

- c) Sørg for, at andre personer og ikke mindst børn holdes væk fra arbejdsområdet, når el-værktøjet er i brug. Hvis man distraheres, kan man miste kontrollen over redskabet.

24.3 Elektrisk sikkerhed

- a) El-værktøjets stik skal passe til stikkontakten. Stikket må under ingen omstændigheder ændres. Brug ikke adapterstik sammen med jordforbundet el-værktøj. Uændrede stik, som passer til stikkontakten, nedsætter risikoen for elektrisk stød.
- b) Undgå kropskontakt med jordforbundne overflader som f.eks. rør, radiatorer, komfurer og køleskabe. Hvis din krop er jordforbundet, øges risikoen for elektrisk stød.
- c) El-værktøjet må ikke udsættes for regn eller fugt. Indtrængning af vand i et el-værktøj øger risikoen for elektrisk stød.
- d) Brug ikke ledningen til formål, den ikke er beregnet til (f.eks. må man aldrig bære el-værktøjet i ledningen, hænge el-værktøjet op i ledningen eller rykke i ledningen for at trække stikket ud af stikkontakten). Beskyt ledningen mod varme, olie, skarpe kanter eller maskindele, som bevæger sig. Beskadede eller snoede ledninger øger risikoen for elektrisk stød.
- e) Hvis el-værktøjet benyttes i det fri, må der kun benyttes en forlængerledning, der er egnet til udendørs brug. Anvendelse af forlængerledning til udendørs brug nedsætter risikoen for elektrisk stød.
- f) Hvis det ikke kan undgås at benytte el-værktøjet i fugtige omgivelser, skal der bruges en fejlstrømsafbryder. Brug af en fejlstrømsafbryder reducerer risikoen for at få et elektrisk stød.

24.4 Personlig sikkerhed

- a) Det er vigtigt at være opmærksom, se, hvad man laver, og bruge el-værktøjet fornuftigt. Brug ikke noget el-værktøj, hvis du er træt, har nydt alkohol eller er påvirket af medicin

- eller euforiserende stoffer. Få sekunders uopmærksomhed ved brug af el-værktøjet kan føre til alvorlige personskader.
- b) **Brug personligt beskyttelsesudstyr, og hav altid beskyttelsesbriller på.** Brug af personligt beskyttelsesudstyr som f.eks. støvmaske, skridsikkert fodtøj, beskyttelseshjelm eller høreværn, afhængigt af maskintype og anvendelse af el-værktøjet, nedsætter risikoen for personskader.
- c) **Undgå utilsigtet igangsætning. Kontrollér, at el-værktøjet er slukket, før du tilslutter det til strømforsyningen og/eller batteriet, løfter eller bærer det.** Undgå at bære el-værktøjet med fingeren på afbryderen, og sørg for, at el-værktøjet ikke er tændt, når det slutes til nettet, da det ellers øger risikoen for personskader.
- d) **Gør det til en vane altid at fjerne indstillingsværktøj eller skruenøgle, inden el-værktøjet tændes.** Hvis et stykke værktøj eller en nøgle sidder i en roterende maskindel, er der risiko for personskader.
- e) **Undgå en anormal legemsposition. Sørg for at stå sikkert, mens der arbejdes, og kom ikke ud af balance.** Dermed har du bedre mulighed for at kontrollere el-værktøjet, hvis der skulle opstå uventede situationer.
- f) **Brug egnet arbejdstøj. Undgå løst tøj eller smykker. Hold hår, tøj og handsker væk fra dele, som bevæger sig.** Dele, som bevæger sig, kan gribe fast i løst tøj, smykker eller langt hår.
- g) **Hvis støvudsugnings- og -opsamlingsudstyr kan monteres, er det vigtigt, at dette tilsluttes og benyttes korrekt.** Brug af en støvudsugning kan reducere den fare, som udgår fra støv.
- h) **Arbejd ikke med falsk sikkerhed, og ignorér ikke sikkerhedsreglerne for el-værktøj, også selv om du som rutineret bruger af el-værktøj er fortrolig med funktionen.** Uagtsom omgang kan inden for brøkdelen af et sekund medføre alvorlige kvæstelser.

24.5 Omgang med og brug af el-værktøj

- a) **Undgå overbelastning af redskabet. Brug altid et el-værktøj, som er beregnet til det stykke arbejde, der skal udføres.** Med det passende el-værktøj arbejder man bedst og mest sikkert inden for det angivne effektområde.
- b) **Brug ikke el-værktøj, hvis afbryder er defekt.** Et el-værktøj, der ikke kan startes og stoppes, er farligt og skal repareres.
- c) **Træk stikket ud af stikkontakten og/eller fjern batteriet, inden redskabet indstilles, inden der skiftes arbejdsværktøjsdele, eller inden redskabet lægges til side.** Disse forsigtighedsforanstaltninger forhindrer utilsigtet start af el-værktøjet.
- d) **Opbevar ubenyttet el-værktøj uden for børns rækkevidde. Lad aldrig personer, som ikke er fortrolige med redskabet eller ikke har gennemlæst disse instruktioner, benytte redskabet.** El-værktøj er farligt, hvis det benyttes af ukyndige personer.
- e) **El-værktøj og arbejdsværktøj skal plejes omhyggeligt. Kontrollér, om bevægelige maskindele fungerer korrekt og ikke sidder fast, og om delene er brækkede eller beskadigede, således at el-værktøjets funktion påvirkes. Få beskadigede dele repareret, inden el-værktøjet tages i brug.** Mange uheld skyldes dårligt vedligeholdte el-værktøjer.
- f) **Sørg for, at skæreværktøjer er skarpe og rene.** Omhyggeligt vedligeholdte skæreværktøjer med skarpe skærekanten sætter sig ikke så hurtigt fast og er nemmere at føre.
- g) **Brug el-værktøj, tilbehør, indsatsværktøjer etc. iht. disse instruktioner. Tag hensyn til arbejdsforholdene og det arbejde, som skal udføres.** Brug af el-værktøj til formål, som ligger uden for det fastsatte arbejdsområde, kan føre til farlige situationer.
- h) **Hold greb og gribeblader tørre, rene og fri for olie og fedt.** Glatte greb og gribeblader forhindrer en sikker betjening og kontrol af el-værktøjet i uforudsete situationer.

24.6 Omgang med og brug af batteridrevet værktøj

- a) **Oplad kun batteriet i opladere, der er anbefalet af fabrikanten.** En oplader, som er egnet til en bestemt type batterier, må ikke benyttes til andre batterier - brandfare.
- b) **Brug kun de batterier, der er beregnet til el-værktøjet.**
Brug af andre batterier øger risikoen for personskade og er forbundet med brandfare.
- c) **Ikke benyttede batterier må ikke komme i berøring med kontorclips, mønter, nøgler, søm, skruer eller andre små metalgenstande, da disse kan kortslutte kontakterne.** En kortslutning mellem batterikontakterne øger risikoen for forbrændinger eller brand.
- d) **Hvis batteriet anvendes forkert, kan der sive væske ud af det. Undgå at komme i kontakt med denne væske. Ved tilfældig kontakt skal der skylles med vand. Søg desuden læge, hvis væsken kommer i øjnene.** Batterivæske kan give hudirritation eller forbrændinger.
- e) **Brug ikke et beskadiget eller ændret batteri.** Beskadigede eller ændrede batterier kan reagere uventet og medføre brand, eksplosion eller fare for kvæstelser.
- f) **Udsæt ikke et batteri for ild eller for høje temperaturer.** Ild eller temperaturer over 130 °C (265 °F) kan medføre eksplosion.
- g) **Følg alle anvisninger angående opladning, og oplad aldrig batteriet eller batteriværktøjet uden for det temperaturområde, der er angivet i driftsvejledningen.**
Forkert opladning eller opladning uden for det tilladte temperaturområde kan ødelægge batteriet og forøge brandfaren.

24.7 Service

- a) **Sørg for, at el-værktøjet kun repareres af kvalificerede fagfolk og at der benyttes originale reservedele.** Dermed sikres størst mulig sikkerhed for el-værktøjet.
- b) **Beskadigede batterier må aldrig vedligeholdes.** Al vedligeholdelse af batterier må kun udføres af producenten eller af bemyndiget kundeservice.

Innholdsfortegnelse

1	Forord	178	7.3	Smør sagkjedet	194
2	Informasjon om denne bruksanvisningen	178	8	Sette inn og ta ut batteriet	195
2.1	Gjeldende dokumenter	178	8.1	Sette inn batteriet	195
2.2	Merking av advarslene i teksten	179	8.2	Ta ut batteriet	195
2.3	Symboler i teksten	179	9	Slå krattkutteren på og av	195
3	Oversikt	179	9.1	Slå på krattkutteren	195
3.1	Krattkutter, batteri og ladeapparat	179	9.2	Slå av krattkutteren	196
3.2	Symboler	180	10	Kontrollere krattkutter og batteri	196
4	Sikkerhetsforskrifter	181	10.1	Kontrollere kjedehjulet	196
4.1	Varselsymboler	181	10.2	Kontrollere styreskinnen	196
4.2	Tiltenkt bruk	181	10.3	Kontrollere sagkjedet	196
4.3	Krav til brukeren	182	10.4	Kontroller den beskyttende hetten	197
4.4	Klær og utstyr	182	10.5	Kontrollere betjeningselementene	197
4.5	Arbeidsområde og omgivelsen	183	10.6	Kontroller batteriet	197
4.6	Sikker tilstand	184	11	Arbeide med krattkutteren	198
4.7	Arbeid	186	11.1	Hold og før krattkutteren	198
4.8	Reaksjonskrefter	187	11.2	Skjære	198
4.9	Lading	188	12	Etter arbeidet	198
4.10	Koble til strøm	188	12.1	Etter arbeidet	198
4.11	Transport	189	13	Transport	198
4.12	Oppbevaring	190	13.1	Transportere krattkutteren	198
4.13	Rengjøring, vedlikehold og reparasjon	190	13.2	Transportere batteriet	199
5	Gjøre krattkutteren klar til bruk	191	13.3	Transportere ladeapparatet	199
5.1	Gjøre krattkutter klar til bruk	191	14	Oppbevaring	199
6	Lade batteriet og LEDer	191	14.1	Oppbevar krattkutteren	199
6.1	Montere ladeapparatet på en vegg	191	14.2	Oppbevare batteriet	199
6.2	Lade batteriet	192	14.3	Oppbevare ladeapparatet	199
6.3	Visning av ladetilstanden	192	15	Rengjøring	200
6.4	LED-er på krattkutteren	193	15.1	Rengjør krattkutteren	200
6.5	LED på ladeapparatet	193	15.2	Rengjøre styreskinnen og sagkjedet	200
7	Sette sammen krattkutter	193	15.3	Rengjøre batteriet	200
7.1	Demontere og montere styreskinnen og sagkjedet	193	15.4	Rengjøre ladeapparatet	200
7.2	Stramme sagkjedet	194	16	Vedlikeholde	200

STIHL

Denne bruksanvisningen er opphavsrettslig beskyttet. Med forbehold om alle rettigheter, spesielt retten til mangfoldiggjøring, oversetting og behandling med elektroniske systemer.

16.1	Slipe sagkjedet	200
17	Reparere	201
17.1	Reparere krattkutteren, batteriet og ladeapparatet	201
18	Utbedre feil	202
18.1	Utbedre feil på krattkutteren eller batteriet	202
18.2	Oppheve feil til ladeapparatet	203
19	Tekniske data	204
19.1	Krattkutter STIHL GTA 26	204
19.2	Kjedehjul	204
19.3	Minimal spordybde til styreskinnene	204
19.4	Batteri STIHL AS	204
19.5	Ladeapparat STIHL AL 1	204
19.6	Skjøteledninger	204
19.7	Lydverdier og vibrasjonsverdier	204
19.8	REACH	205
20	Kombinasjoner av styreskinnene og sagkjeder	206
20.1	Krattkutter STIHL GTA 26	206
21	Reservedeler og tilbehør	207
21.1	Reservedeler og tilbehør	207
22	Kassering	207
22.1	Kassere krattkutteren, batteriet og ladeapparatet	207
23	EU-samsvarserklæring	207
23.1	Krattkutter STIHL GTA 26	207
23.2	Samsvarsmerknad ladeapparat STIHL AL 1	207
24	Generelle sikkerhetsanvisninger for elektroverktøy	208
24.1	Innledning	208
24.2	Sikkerhet på arbeidsplassen	208
24.3	Elektrisk sikkerhet	208
24.4	Sikkerhet av personer	208
24.5	Bruk og behandling av elektroverktøyet	209
24.6	Bruk og behandling av det batteridrevne verktøyet	209
24.7	Service	210

1 Forord

Kjære kunde,

vi er glade for at du har valgt STIHL. Vi utvikler og produserer våre produkter i topp kvalitet i samsvar med behovene til våre kunder. Dermed skapes produkter med høy pålitelighet selv ved ekstrem belastning.

STIHL står også for topp kvalitet ved servicen. Vår faghandelen sikrer kompetent rådgøring og opplæring, samt omfattende teknisk omsorg.

Vi takker for din tiltro og ønsker deg god fornøyelse med ditt STIHL produkt.



Dr. Nikolas Stihl

VIKTIG! MÅ LESES FØR BRUK OG OPPBEVARES.

2 Informasjon om denne bruksanvisningen

2.1 Gjeldende dokumenter

De lokale sikkerhetsforskriftene gjelder.

- ▶ I tillegg til denne bruksanvisningen skal en lese, forstå og oppbevare følgende dokumenter:
 - Informasjon om multifunksjonsoljen STIHL Multioil Bio: www.stihl.com/safety-data-sheets
 - Sikkerhetsinformasjon for STIHL batterier og produkter med innebygd batteri: www.stihl.com/safety-data-sheets

2.2 Merking av advarslene i teksten



FARE

Merknaden henviser til farer som føre til alvorlige personskader eller døden.

- ▶ De angitte tiltakene kan gjøre at alvorlige personskader eller død unngås.



ADVARSEL

Merknaden henviser til farer som **kan** føre til alvorlige personskader eller døden.

- ▶ De angitte tiltakene kan gjøre at alvorlige personskader eller død unngås.

LES DETTE

Merknaden henviser til farer som kan føre til materielle skader.

- ▶ De angitte tiltakene kan gjøre at materielle skader unngås.

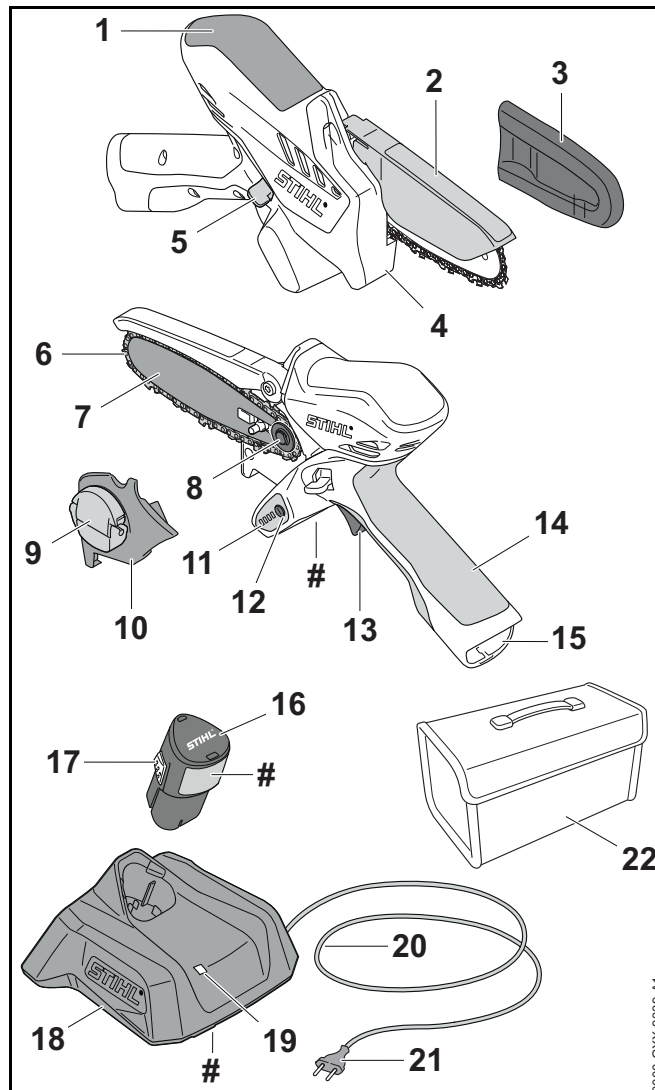
2.3 Symboler i teksten



Dette symbolet henviser til et kapittel i denne bruksanvisningen.

3 Oversikt

3.1 Krattkutter, batteri og ladeapparat





- 1 Gripepunkt**
Gripepunktet benyttes til å holde og føre krattkutteren.
- 2 Beskyttende hette**
Den beskyttende hetten beskytter mot kontakt med sagkjedet.
- 3 Kjedebeskyttelse**
Kjedebeskyttelsen beskytter mot kontakt med sagkjedet.
- 4 Anslag**
Anslaget støtter krattkutteren mot treverket under arbeidet.
- 5 Låsespak**
Låsespaken låser opp girspaken.
- 6 Sagkjede**
Sagkjedet skjærer treverk.
- 7 Styreskinne**
Styreskinnen fører sagkjedet.
- 8 Kjedehjul**
Kjedehjulet driver sagkjedet.
- 9 Vingemutter**
Vingemutteren fester dekselet til kjedehjulet på krattkutteren.
- 10 Kjedehjuldeksel**
Dekselet til kjedehjulet dekker over kjedehjulet, og fester styreskinnen på krattkutteren.
- 11 LED-er**
LED-ene viser ladetilstanden til batteriet og feil.
- 12 Trykknapp**
Trykknappene aktiverer LED-ene på krattkutteren.
- 13 Girspak**
Girspaken slår krattkutteren på og av.
- 14 Betjeningshåndtak**
Betjeningshåndtaket brukes til å betjene, holde og føre krattkutteren.
- 15 Batterispor**
Batterispor tar imot batteriet.


- 16 Batteri**
Batteriet forsyner krattkutteren med strøm.
- 17 Sperrehake**
Sperrehaken holder batteriet i batterispor.
- 18 Ladeapparat**
Ladeapparatet lader batteriet.
- 19 LED-lampe**
LED-ene viser statusen til ladeapparatet.
- 20 Tilkoblingsledning**
Tilkoblingsledningen forbinder ladeapparatet med nettpluggen.
- 21 Kontakt**
Nettpluggen forbinder tilkoblingsledningen med en stikkontakt.
- 22 Lomme**
Lommen brukes til transport og oppbevaring av krattkutteren, batteriet og ladeapparatet. Lommen er kun med i leveringsomfanget til sett (bestående av krattkutter, batteri og ladeapparat).
- # Merkeplate med maskinnummer**

3.2 Symboler

Symbolene kan være på krattkutteren, batteriet og ladeapparatet, og betyr følgende:

 Dette symbolet angir løperetningen til sagkjedet.

 LED-en lyser eller blinker grønt. Batteriet lader.

 LED-en blinker rødt. Det er ingen elektrisk kontakt mellom batteriet og ladeapparatet, eller det er en feil ved batteriet eller ladeapparatet.



Lengden på en styreskinne som det er tillatt å bruke.



LWA Garantert lydeffektnivå iht. direktiv 2000/14/EF i dB(A) for å gjøre lydutslipp fra produkter sammenlignbare.



Angivelsen ved siden av symbolet angir energiinnholdet i batteriet i henhold til spesifikasjonene fra celle-produzenten. Energiinnholdet som er tilgjengelig i anvendelsen, er mindre.



Bruk det elektriske apparatet i et lukket og tørt rom.



Produktet må ikke kasseres med husholdningsavfallet.



Les, forstå og oppbevar bruksanvisningen.

4 Sikkerhetsforskrifter

4.1 Varselsymboler

Varselsymbolene på krattkutteren, batteriet eller ladeapparatet betyr følgende:



Følg sikkerhetsmerknadene og tiltakene.



Les, forstå og oppbevar bruksanvisningen.



Bruk vernebriller.



Hold krattkutteren fast med begge hendene.



Ikke ta på sagkjedet som beveger seg.



Ta ut batteriet ved arbeidspauser, transport, oppbevaring, vedlikehold eller reparasjon.



Krattkutteren og ladeapparatet må beskyttes for regn og fuktighet.



Batteriet må beskyttes mot varme og ild.



Batteriet må beskyttes mot regn og fuktighet, og må ikke dyppes i væske.

4.2 Tiltent bruk

Krattkutter STIHL GTA 26 benyttes til saging av treverk.

Krattkutteren skal ikke brukes når det regner.

Batteriet STIHL AS, forsyner krattkutteren med strøm.

Ladeapparatet STIHL AL 1 lader batteriet STIHL AS.

⚠ ADVARSEL

- Batterier og ladeapparater som ikke er godkjent for krattkutteren av STIHL, kan utløse brann eller eksplosjoner. Personer kan bli alvorlig skadet eller omkomme, og materielle skader kan oppstå.
 - ▶ Krattkutteren skal brukes med et STIHL AS-batteri.
 - ▶ STIHL AS batteriet skal lades med et STIHL AL 1 ladeapparat.
- Dersom krattkutteren, batteriet eller ladeapparatet ikke anvendes forskriftsmessig, kan personer bli alvorlig skadet eller dreptes og materielle skader kan oppstå.
 - ▶ Krattkutteren, batteriet og ladeapparatet skal brukes slik det er beskrevet i denne bruksanvisningen.

4.3 Krav til brukeren

⚠ ADVARSEL

- Brukere uten opplæring kan ikke gjenkjenne eller bedømme krattkutterens, batteriets eller ladeapparatets farer. Brukeren eller andre personer kan bli alvorlig skadet eller drept.



- ▶ Les, forstå og oppbevar bruksanvisningen.

- ▶ Hvis krattkutteren, batteriet eller ladeapparatet gis videre til en annen person: Gi bruksanvisningen videre.
- ▶ Forsikre deg om at brukeren oppfyller følgende forutsetninger:
 - Brukeren må være uthvilt.
 - Brukeren er kroppslig, sensorisk og mentalt i stand til å betjene og arbeide med krattkutteren, batteriet og ladeapparatet. Dersom brukeren er kroppslig, sensorisk og mentalt begrenset i stand til det, skal brukeren

kun arbeide med det under oppsyn eller etter anvisningen av en ansvarlig person.

- Brukeren kan gjenkjenne eller bedømme farene med krattkutteren, batteriet og ladeapparatet.
- Brukeren er myndig eller brukeren blir utdannet under oppsyn i henhold til nasjonale forskrifter.
- Brukeren har fått opplæring av en STIHL fagforhandler eller en sakkyndig person før krattkutteren og ladeapparatet brukes første gang.
- Brukeren er ikke påvirket av alkohol, medikamenter eller narkotika.
- ▶ Dersom det er uklarheter: Oppsøk en STIHL fagforhandler.

4.4 Klær og utstyr

⚠ ADVARSEL

- Under arbeidet kan langt hår trekkes inn i krattkutteren. Brukeren kan bli alvorlig skadet.
 - ▶ Sett opp og sikre langt hår slik at det befinner seg over skulderen.
- Under arbeidet kan gjenstander kastes opp med høy hastighet. Brukeren kan bli skadet.



- ▶ Bruk tettsittende vernebriller. Egnede vernebriller er kontrollert iht. EN 166 eller nasjonale forskrifter, og fås kjøpt med tilsvarende merking i butikk.
- ▶ Bruk en lang bukse.

- Gjenstander som faller ned, kan føre til hodeskader.
 - ▶ Hvis gjenstander kan falle ned under arbeidet: Bruk vernehjelm.
- Under arbeidet kan støv virvles opp. Støv som pustes inn, kan være helseskadelig og utløse allergiske reaksjoner.
 - ▶ Hvis støv virvles opp: Bruk en vernemaske for støv.
- Uegnede klær kan henge seg opp i treverk, kratt og i krattkutteren. Brukere uten egnede bekledning kan bli alvorlig skadd.
 - ▶ Bruk trangt sittende klær.
 - ▶ Ta av sjal og smykker.
- Under arbeidet kan brukeren skjære seg på treverk. Ved rengjøring eller vedlikehold kan brukeren komme i kontakt med sagkjedet. Brukeren kan bli skadet.
 - ▶ Bruk arbeidshansker av motstandsdyktig materiale.
- Dersom brukeren bruker uegnede sko, kan han/hun skli. Brukeren kan bli skadet.
 - ▶ Bruk faste, lukkede sko med gripesterk såle.

4.5 Arbeidsområde og omgivelsen

4.5.1 Krattkutter

ADVARSEL

- Personer som ikke deltar, barn og dyr kan ikke gjenkjenne eller bedømme farene forbundet med krattkutteren og objekter som slenges opp. Personer uten deltagelse, barn og dyr kan bli alvorlig skadet og materielle skader kan oppstå.
 - ▶ Personer uten deltagelse, barn og dyr må holdes unna arbeidsområdet.
 - ▶ Ikke la krattkutteren være uten tilsyn.
 - ▶ Sikre at barn ikke kan leke med krattkutteren.
- Krattkutteren er ikke beskyttet mot vann. Dersom det arbeides i regn eller i fuktige omgivelser, kan det forekomme elektrisk støt. Brukeren kan bli skadet og krattkutteren kan bli skadet.



- ▶ Det skal ikke arbeides i regn eller fuktige omgivelser.

- Elektriske komponenter i krattkutteren kan danne gnister. Gnister kan utløse brann eller eksplosjoner i lett antennelige eller eksplosive omgivelser. Personer kan bli alvorlig skadet eller omkomme, og materielle skader kan oppstå.
 - ▶ Det skal ikke arbeides i en lett antennelig eller eksplosiv omgivelse.

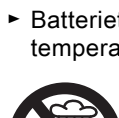
4.5.2 Batteri

ADVARSEL

- Personer som ikke deltar, barn og dyr kan ikke gjenkjenne eller bedømme farene med batteriet. Personer uten deltagelse, barn og dyr kan bli alvorlig skadet.
 - ▶ Personer uten deltagelse, barn og dyr må holdes unna.
 - ▶ Ikke la batteriet være uten oppsyn.
 - ▶ Sikre at barn ikke kan leke med batteriet.
- Batteriet er ikke beskyttet mot alle miljøpåvirkningene. Dersom batteriet utsettes for bestemte miljøpåvirkninger, kan batteriet ta fyr eller eksplodere. Personer kan bli alvorlig skadet og materielle skader kan oppstå.



- ▶ Batteriet må beskyttes mot varme og ild.
- ▶ Batteriet må ikke kastes i ild.



- ▶ Batteriet skal brukes og oppbevares i temperaturområdet mellom - 20 °C og + 50 °C.
- ▶ Batteriet må beskyttes mot regn og fuktighet, og må ikke dypes i væske.

- ▶ Batteriet må holdes unna metalliske gjenstander.
- ▶ Batteriet må ikke utsettes for høyt trykk.

- ▶ Batteriet må ikke utsettes for mikrobølgeovner.
- ▶ Batteriet må beskyttes mot kjemikalier og salt.

4.5.3 Ladeapparat

⚠ ADVARSEL

- Personer som ikke deltar, barn kan ikke gjenkjenne eller bedømme farene til ladeapparatet og den elektriske strømmen. Personer uten deltagelse, barn og dyr kan bli alvorlig skadet eller drept.
 - ▶ Personer uten deltagelse, barn og dyr må holdes unna.
 - ▶ Sikre at barn ikke kan leke med ladeapparatet.
 - Ladeapparatet er ikke beskyttet mot vann. Dersom det arbeides i regn eller i fuktige omgivelser, kan det forekomme elektrisk støt. Brukeren kan bli skadet og ladeapparatet kan bli skadet.
 - ▶ Den må ikke brukes når det regner eller i fuktige omgivelser.
- 
- Ladeapparatet er ikke beskyttet mot alle miljøpåvirkningene. Dersom ladeapparatet utsettes for bestemte miljøpåvirkninger, kan ladeapparatet ta fyr eller eksplodere. Personer kan bli alvorlig skadet og materielle skader kan oppstå.
 - ▶ Ladeapparatet skal benyttes i et lukket og tørt rom.
 - ▶ Ladeapparatet skal ikke anvendes i en lett antennelig eller eksplosiv omgivelse.
 - ▶ Ladeapparatet skal ikke anvendes på lett antennelig undergrunn.
 - ▶ Ladeapparatet skal brukes og oppbevares i temperaturområdet mellom - 20 °C og + 50 °C.
 - Personer kan snuble over tilkoblingsledningen. Personer kan bli skadet og ladeapparatet kan bli skadet.
 - ▶ Tilkoblingsledningen legges flatt ned på bakken.

4.6 Sikker tilstand

4.6.1 Krattkutter

Krattkutteren er i sikker tilstand hvis følgende betingelser er oppfylt:

- Krattkutteren er uskadd.
- Krattkutteren er ren og tørr.
- Den beskyttende hetten er montert.
- Den beskyttende hetten er uskadd og uforandret.
- Betjeningselementene fungerer og er ikke endret.
- Sagkjedet er smurt.
- Løpesporene på kjededrevet er ikke dypere enn 0,5 mm.
- En kombinasjon av styreskinne og sagkjede som er angitt i denne bruksanvisningen er montert.
- Styreskinnen og sagkjedet er riktig montert.
- Sagkjedet er strammet riktig.
- Det er bare montert originalt STIHL-tilbehør for denne krattkutteren.
- Tilbehøret er montert riktig.


⚠ ADVARSEL

- I usikker stand kan komponenter slutte å fungere korrekt, og sikkerhetsinnretninger tre ut av kraft. Personer kan bli alvorlig skadet eller bli drept.
 - ▶ Arbeid med en uskadd krattkutter.
 - ▶ Hvis krattkutteren er skitten eller våt: Rengjør krattkutteren og la den tørke.
 - ▶ Ikke endre krattkutteren. Unntak: Montering av en kombinasjon av styreskinne og sagkjede som er angitt i denne bruksanvisningen.
 - ▶ Benytt krattkutteren kun med den beskyttende hetten montert på.
 - ▶ Dersom den beskyttende hetten er skadet eller forandret: Ikke arbeid med krattkutteren.

- ▶ Dersom betjeningselementene ikke fungerer: Ikke arbeid med krattkutteren.
- ▶ Det må bare monteres originalt STIHL-tilbehør for denne krattkutteren.
- ▶ Føringsskinne og sagkjedet må monteres slik det er beskrevet i bruksanvisningen.
- ▶ Tilbehøret må monteres slik det er beskrevet i denne bruksanvisningen eller i bruksanvisningen for tilbehøret.
- ▶ Ikke stikk gjenstander inn i åpningene til krattkutteren.
- ▶ Skift ut slitte eller skadde varselskilt.
- ▶ Dersom det er uklarheter: Oppsøk en STIHL fagforhandler.

4.6.2 Styreskinne

Styreskinne er i sikker tilstand, når følgende betingelser er oppfylt:

- Styreskinne er uskadd.
- Styreskinne er ikke deformert.
- Sporet er så dypt eller dypere enn den minimale spordybden,  19.3.
- Sporet er ikke trangt eller spredt.

ADVARSEL

- I en usikker tilstand kan styreskinne ikke lenger føre sagkjedet riktig. Det roterende sagkjedet kan hoppe av styreskinne. Personer kan bli alvorlig skadet eller bli drept.
 - ▶ Arbeid med en uskadd styreskinne.
 - ▶ Dersom dybden til sporet er mindre enn den minimale spordybden: Skift ut styreskinne.
 - ▶ Dersom det er uklarheter: Oppsøk en STIHL fagforhandler.

4.6.3 Sagkjede

Sagkjedet er i sikker tilstand, når følgende betingelser er oppfylt:

- Sagkjedet er uskadd.
- Sagkjedet er slipt riktig.
- Slitasjemarkeringene på skjæretennene er synlige.

ADVARSEL

- I usikker stand kan komponenter slutte å fungere korrekt, og sikkerhetsinnretninger tre ut av kraft. Personer kan bli alvorlig skadet eller bli drept.
 - ▶ Arbeid med et uskadd sagkjede.
 - ▶ Slip sagkjedet riktig.
 - ▶ Dersom det er uklarheter: Oppsøk en STIHL fagforhandler.

4.6.4 Batteri

Batteriet er i sikker stand når følgende betingelser er oppfylt:

- Batteriet har ingen skader.
- Batteriet er rent og tørt.
- Batteriet virker og er i uendret stand.

ADVARSEL

- Hvis batteriet ikke er i sikker stand, virker det ikke lenger. Det kan oppstå alvorlige personskader.
 - ▶ Arbeid kun med et uskadet og fungerende batteri.
 - ▶ Ikke lad opp et skadet eller defekt batteri.
 - ▶ Hvis batteriet er skittent eller vått: Rengjør batteriet, og la det tørke.
 - ▶ Ikke gjør endringer på batteriet.
 - ▶ Ikke stikk gjenstander inn i åpningene på batteriet.
 - ▶ Unngå kontakt og kortslutning mellom batteriets elektriske kontakter og metallgjenstander.
 - ▶ Ikke åpne batteriet.

- ▶ Skift ut slitte eller skadde varselskilt.
- Hvis batteriet er skadet, kan det lekke ut væske. Hvis væsken kommer i kontakt med hud eller øyne, kan dette føre til irritasjoner.
 - ▶ Unngå kontakt med væsken.
 - ▶ Hvis væske har kommet på huden: Vask huden med rikelige mengder vann og såpe.
 - ▶ Hvis væske har kommet i øynene: Skyll med rikelige mengder rent vann i minst 15 minutter, og kontakt lege.
- Et skadd eller defekt batteri kan ha uvanlig lukt, avgir røyk eller antenne. Det kan oppstå alvorlige eller livstruende personskader i tillegg til materielle skader.
 - ▶ Hvis batteriet lukter uvanlig eller avgir røyk: Ikke bruk batteriet, og hold det unna brennbare stoffer.
 - ▶ Hvis batteriet er antent: Forsøk å slukke batteriet med en brannslukker eller vann.

4.6.5 Ladeapparat

Ladeapparatet er i sikker tilstand, hvis følgende betingelser er oppfylt:

- Ladeapparatet er uskadd.
- Ladeapparatet er rent og tørt.

ADVARSEL

- I usikker stand kan komponenter slutte å fungere korrekt, og sikkerhetsinnretninger tre ut av kraft. Personer kan bli alvorlig skadet eller bli drept.
 - ▶ Bruk et uskadd ladeapparat.
 - ▶ Dersom ladeapparatet er tilsmusset eller vått: Rengjør ladeapparatet og la det tørke.
 - ▶ Ladeapparatet må ikke endres.
 - ▶ Ikke stikk gjenstander inn i åpningen til ladeapparatet.
 - ▶ De elektriske kontaktene til ladeapparatet må ikke forbindes med metalliske gjenstander og kortsluttes.
 - ▶ Ladeapparatet må ikke åpnes.

4.7 Arbeid

ADVARSEL

- Hvis det ikke befinner seg noen i ropeavstand utenfor arbeidsområdet, kan ingen hjelpe i en nødssituasjon gis.
 - ▶ Forsikre deg om at det befinner seg noen i ropeavstand utenfor arbeidsområdet.
- Brukeren kan i visse situasjoner ikke lengre arbeide konsentrert. Brukeren kan miste kontrollen over krattkutteren, snuble, falle og bli alvorlig skadet.
 - ▶ Du må arbeide rolig og vel overveid.
 - ▶ Dersom lysforholdene og sikten er dårlig: Ikke arbeid med krattkutteren.
 - ▶ Krattkutteren betjenes alene.
 - ▶ Ikke arbeid høyere enn skulderhøyde.
 - ▶ Vær oppmerksom på hindringer.
 - ▶ Arbeid stående på bakken og hold balansen. Dersom det må arbeides i høyden: Benytt en løfteplattform eller et sikkert stillas.
 - ▶ Hvis man begynner å føle tretthet: Ta en pause i arbeidet.
- De roterende sagkjedet kan skjære brukeren. Brukeren kan bli alvorlig skadet.
 - ▶ Ikke ta på det roterende sagkjedet.
 - ▶ Hvis sagkjedet er blokkert av en gjenstand: Slå av krattkutteren og ta ut batteriet. Fjern gjenstanden først nå.
- Det roterende sagkjedet blir varmt og utvides. Hvis sagkjedet ikke smøres tilstrekkelig og etterstrammes, kan sagkjedet hoppe av styreskinnen eller revne. Personer kan bli alvorlig skadet og materielle skader kan oppstå.
 - ▶ bruk Multifunksjonsoljen STIHL Multioil Bio eller en lignende, biologisk nedbrytbar multifunksjonsolje.
 - ▶ Under arbeidet må du smøre sagkjedet etter hver lading av batteriet.

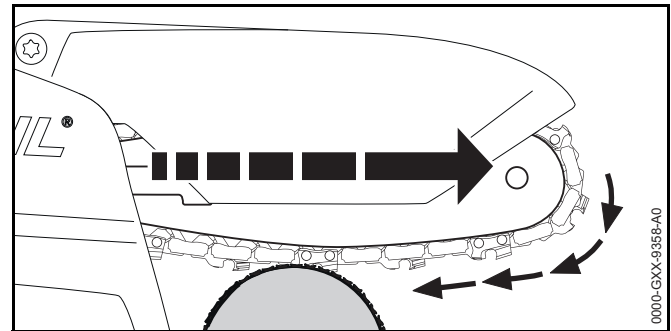
- ▶ Under arbeidet må du regelmessig kontrollere spenningen til sagkjedet. Hvis spenningen til sagkjedet er for lav: Spenn sagkjedet.
- Under arbeidet kan styreskinnen, sagkjedet og kjedehjulet bli veldig varme. Brukeren kan brenne seg.
 - ▶ Varme styreskinner, sagkjeder og kjedehjul må ikke berøres.
 - ▶ Vent til styreskinnen, sagkjedet og kjedehjulet er avkjølt.
 - ▶ Bruk arbeidshansker av motstandsdyktig materiale.
- Dersom krattkutteren forandrer seg eller oppfører seg uvanlig under arbeidet, er det ikke sikkert at krattkutteren er i sikker stand. Personer kan bli alvorlig skadet og materielle skader kan oppstå.
 - ▶ Avslutt arbeidet, ta ut batteriet og oppsøk en STIHL fagforhandler.
- Under arbeidet kan det oppstå vibrasjoner fra krattkutteren.
 - ▶ Bruk hansker.
 - ▶ Ta arbeidspauser.
 - ▶ Dersom tegn på sirkulasjonsforstyrrelse oppstår: Oppsøk lege.
- Hvis det roterende sagkjedet støter på en hard gjenstand, kan det oppstå gnister. Gnister kan utløse brann i lett antennerlige omgivelser. Personer kan bli alvorlig skadet eller omkomme, og materielle skader kan oppstå.
 - ▶ Det skal ikke arbeides i en lett antennerlig omgivelse.
- Når girspaken slippes, fortsetter sagkjedet å gå en kort stund. Den bevegelige sagkjedet kan skjære personer. Personer kan bli alvorlig skadet.
 - ▶ Vent til sagkjedet har sluttet å gå.

⚠ FARE

- Hvis man arbeider i nærheten av spenningsførende ledninger, kan sagkjedet komme i kontakt med de spenningsførende ledningene og skade dem. Brukeren kan bli alvorlig skadet eller drept.
 - ▶ Ikke arbeid i nærheten av spenningsførende ledninger.

4.8 Reaksjonskrefter

4.8.1 Reaksjonskrefter



Hvis det arbeides med undersiden av styreskinnen, trekkes krattkutteren bort fra brukeren.

⚠ ADVARSEL

- Dersom det roterende sagkjedet støter på en hard gjenstand og raskt bremses ned, kan krattkutteren plutselig bli trukket veldig kraftig bort fra brukeren. Personer kan bli skadet.
 - ▶ Hold krattkutteren fast med begge hendene.
 - ▶ Arbeid slik det er beskrevet i denne bruksanvisningen.
 - ▶ Arbeid med den beskyttende hetten montert på.
 - ▶ Arbeid med en uskadd og uforandret beskyttende hette.
 - ▶ Arbeid med et sagkjede som har riktig sliping og stramming.
 - ▶ Før styreskinnen rett i snittet.
 - ▶ Sett anslaget på riktig.

- ▶ Arbeid med full gass.

4.9 Lading

⚠ ADVARSEL

- Under ladingen kan et skadd eller defekt ladeapparat lukte uvanlig eller ryke. Personer kan bli skadet og materielle skader kan oppstå.
 - ▶ Trekk nettpluggen ut av stikkontakten.
- Ladeapparatet kan ved utilstrekkelig bortledning av varme, overopphetes og utløse brann. Personer kan bli alvorlig skadet eller omkomme, og materielle skader kan oppstå.
 - ▶ Ladeapparatet må ikke tildekkes.

4.10 Koble til strøm

Det kan oppstå kontakt med strømførende komponenter på grunn av følgende årsaker:

- Tilkoblingsledningen eller skjøteledningen er skadet.
- Nettpluggen til tilkoblingsledningen eller skjøteledningen er skadet.
- Stikkontakten er ikke riktig installert.

⚠ FARE

- Kontakt med strømførende komponenter kan føre til strømstøt. Brukeren kan bli alvorlig skadet eller drept.
 - ▶ Forsikre deg om at tilkoblingsledningen og nettpluggene er uskadet.



Hvis tilkoblingsledningen eller skjøteledningen er defekt eller skadet:

- ▶ Skadde punkter må ikke berøres.
- ▶ Trekk nettpluggen ut av stikkontakten.
- ▶ Ta i tilkoblingsledningen, skjøteledningen og de tilhørende nettpluggene med tørre hender.

- ▶ Sett nettpluggen på tilkoblingsledningen eller skjøteledningen inn i en korrekt installert og sikret stikkontakt med jording.

- ▶ Koblet til ladeapparatet via en jordfeilbryter med maksimalt (30 mA, 30 ms) utløserstrøm.

- En skadet eller uegnet skjøteledning kan fører til elektrisk støt. Personer kan bli alvorlig skadet eller bli drept.
 - ▶ Bruk en skjøteledning med riktig ledningstverrsnitt, 19.6.

⚠ ADVARSEL

- Under ladingen kan en feil nettspenning eller en feil nettfrekvens, føre til en overspenning i ladeapparatet. Ladeapparatet kan bli skadd.
 - ▶ Forsikre deg om at nettspenningen og nettfrekvensen til strømmettet stemmer overens med angivelsene på ladeapparatet.
- En feil lagt tilkoblingsledning og skjøteledning kan være skadet og personer kan snuble over dem. Personer kan bli skadet og tilkoblingsledningen eller skjøteledningen kan bli skadet.
 - ▶ Legg og merk tilkoblingsledningen og skjøteledningen slik at personer ikke kan snuble.
 - ▶ Legg tilkoblingsledningen og skjøteledningen slik at de ikke spennes eller floker seg.
 - ▶ Legg tilkoblingsledningen og skjøteledningen slik at de ikke blir skadet, bøyd eller klemt eller skrubbet.
 - ▶ Beskytt tilkoblingsledningen og skjøteledningen mot varme, olje og kjemikalier.
 - ▶ Legg tilkoblingsledningen og skjøteledningen på tørt underlag.

- Skjøteledningen blir varm under arbeidet. Hvis varmen ikke kan ledes bort, kan varmen starte brann.
 - ▶ Hvis det brukes en kabeltrommel: Vikle av hele kabeltrommelen.
- Hvis det er lagt elektriske ledninger og rør i veggen, kan disse ta skade, hvis ladeapparatet monteres på veggen. Kontakt med elektriske ledninger kan føre til elektrisk støt. Personer kan bli alvorlig skadet og materielle skader kan oppstå.
 - ▶ Forsikre deg om at det ikke ligger elektriske ledninger og rør på stedet du vil bruke.
- Hvis ladeapparatet ikke er montert på veggen som beskrevet i denne bruksanvisningen, kan ladeapparatet eller batteriet falle ned eller ladeapparatet kan bli for varmt. Personer kan bli skadet og materielle skader kan oppstå.
 - ▶ Ladeapparatet må monteres på en vegg, slik det er beskrevet i bruksanvisningen.
- Hvis ladeapparatet med påsatt batteri monteres på en vegg, kan batteriet falle ut av ladeapparatet. Personer kan bli skadet og materielle skader kan oppstå.
 - ▶ Først må ladeapparatet monteres på veggen og så settes inn batteriet.

4.11 Transport

4.11.1 Krattkutter

▲ ADVARSEL

- Krattkutteren kan velte eller bevege seg under transporten. Personer kan bli skadet og materielle skader kan oppstå.



- ▶ Ta ut batteriet.

- ▶ Skyv kjedebeskyttelsen slik over styreskinnen, at den dekker styreskinnen fullstendig.
- ▶ Transporter krattkutteren i lommen som følger med.

- ▶ Dersom ingen lomme er med i leveringsomfanget: Krattkutteren må sikres med stropper, reimer eller nett slik at den ikke kan velte eller bevege seg.

4.11.2 Batteri

▲ ADVARSEL

- Batteriet er ikke beskyttet mot alle miljøpåvirkningene. Dersom batteriet utsettes for bestemte miljøpåvirkninger, kan batteriet skades og det kan oppstå materielle skader.
 - ▶ Et skadd batteri skal ikke transporteres.
 - ▶ Transportere batteriet i lommen som følger med.
 - ▶ Dersom ingen lomme er med i leveringsomfanget: Transporter batteriet i en elektrisk ikke ledende forpakning.
- Batteriet kan velte eller bevege seg under transporten. Personer kan bli skadet og materielle skader kan oppstå.
 - ▶ Batteriet skal pakkes slik i forpakningen, at det ikke kan bevege seg.
 - ▶ Forpakningen må sikres slik, at den ikke kan bevege seg.

4.11.3 Ladeapparat

▲ ADVARSEL

- Under transport kan ladeapparatet velte eller bevege seg. Personer kan bli skadet og materielle skader kan oppstå.
 - ▶ Trekk nettpluggen ut av stikkontakten.
 - ▶ Ta ut batteriet.
 - ▶ Transportere ladeapparatet i lommen som følger med.
 - ▶ Dersom ingen lomme er med i leveringsomfanget: Ladeapparatet må sikres med stropper, reimer eller nett slik at det ikke kan velte eller bevege seg.
- Tilkoblingsledningen er ikke beregnet til å bære ladeapparatet med. Tilkoblingsledningen og ladeapparatet kan skades.
 - ▶ Vikle opp tilkoblingsledningen og fest den på ladeapparatet.

4.12 Oppbevaring

4.12.1 Krattkutter

⚠ ADVARSEL

- Barn kan ikke gjenkjenne eller bedømme krattkutterens farer. Barn kan bli alvorlig skadd.



- ▶ Ta ut batteriet.

- ▶ Skyv kjedebeskyttelsen slik over styreskinnen, at den dekker styreskinnen fullstendig.
- ▶ Krattkutteren oppbevares utenfor rekkevidde for barn.

- De elektriske kontaktene på krattkutteren og metallkomponenter kan korrodere på grunn av fuktighet. Krattkutteren kan skades.



- ▶ Ta ut batteriet.

- ▶ Krattkutteren oppbevares rent og tørt.

4.12.2 Batteri

⚠ ADVARSEL

- Barn kan ikke gjenkjenne eller bedømme batteriets farer. Barn kan bli alvorlig skadd.

- ▶ Batteriet må oppbevares utenfor rekkevidden til barn.

- Batteriet er ikke beskyttet mot alle miljøpåvirkningene. Dersom batteriet utsettes for bestemte miljøpåvirkninger, kan batteriet skades.

- ▶ Oppbevar batteriet rent og tørt.
- ▶ Batteriet skal oppbevares i et lukket rom.
- ▶ Batteriet skal oppbevares adskilt fra krattkutteren og ladeapparatet.
- ▶ Oppbevar batteriet i en elektrisk ikke ledende forpakning.

- ▶ Oppbevar batteriet i temperaturområdet mellom - 20 °C og + 70 °C.

4.12.3 Ladeapparat

⚠ ADVARSEL

- Barn kan ikke gjenkjenne eller bedømme ladeapparatets farer. Barn kan skades alvorlig eller drepes.

- ▶ Ta ut batteriet.
- ▶ Ladeapparatet må oppbevares utenfor rekkevidden til barn.

- Ladeapparatet er ikke beskyttet mot alle miljøpåvirkningene. Dersom ladeapparatet er utsatt for visse miljøpåvirkninger, kan ladeapparatet skades.

- ▶ Ta ut batteriet.
- ▶ Dersom ladeapparatet blir varmt: Avkjøl ladeapparatet.

- ▶ Oppbevar ladeapparatet rent og tørt.

- ▶ Ladeapparatet skal oppbevares i et lukket rom.

- ▶ Ladeapparatet skal oppbevares i temperaturområdet mellom - 20 °C og + 70 °C.

- Tilkoblingsledningen er ikke beregnet, til å bære eller henge ladeapparatet med. Tilkoblingsledningen og ladeapparatet kan skades.

- ▶ Grip og hold ladeapparatet fast i kapslingen. Et innfelt håndtak til enkel løfting av ladeapparatet er montert på ladeapparatet.

- ▶ Heng opp ladeapparatet på veggholderen.

4.13 Rengjøring, vedlikehold og reparasjon

⚠ ADVARSEL

- Hvis batteriet er satt inn ved rengjøring, vedlikehold eller reparasjon, kan krattkutteren slås på utilsiktet. Personer kan bli alvorlig skadet og materielle skader kan oppstå.



► Ta ut batteriet.

- Aggressive rengjøringsmidler, rengjøring med vannstråle eller spisse gjenstander kan skade krattkutteren, styreskinnen, sagkjedet, batteriet og ladeapparatet. Hvis krattkutteren, styreskinnen, sagkjedet, batteriet eller ladeapparatet ikke rengjøres på riktig måte, kan komponenter ikke lenger fungere riktig og sikkerhetsinnretninger tape funksjonen. Personer kan bli alvorlig skadet.
 - Krattkutteren, styreskinnen, sagkjedet, batteriet og ladeapparatet skal rengjøres slik det er beskrevet i bruksanvisningen.
- Hvis krattkutteren, styreskinnen, sagkjedet, batteriet og ladeapparatet ikke vedlikeholdes eller repareres på riktig måte, kan komponenter ikke lenger fungere riktig og sikkerhetsinnretninger tape funksjonen. Personer kan bli alvorlig skadet eller bli drept.
 - Du må ikke selv vedlikeholde eller reparere krattkutteren, batteriet og ladeapparatet.
 - Hvis krattkutteren, batteriet eller ladeapparatet må vedlikeholdes eller repareres: Ta kontakt med en STIHL fagforhandler.
 - Styreskinnen og sagkjedet må vedlikeholdes eller repareres slik det er beskrevet i bruksanvisningen.
- Under rengjøring eller vedlikehold av sagkjedet kan brukeren skjære seg på skarpe skjæretenner. Brukeren kan bli skadet.
 - Bruk arbeidshansker av motstandsdyktig materiale.

5 Gjøre krattkutteren klar til bruk

5.1 Gjøre krattkutter klar til bruk

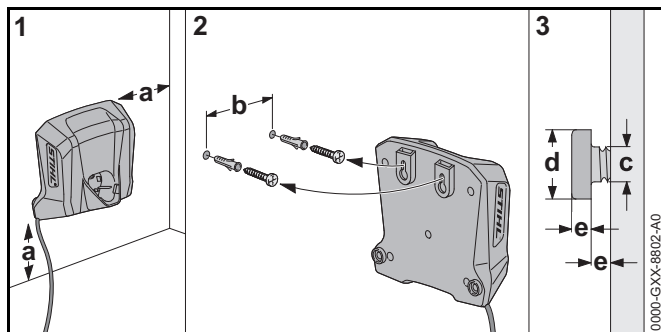
Før hver arbeidsstart må følgende trinn gjennomføres:

- Forsikre deg om at følgende komponenter er i sikker tilstand:
 - Krattkutter, 4.6.1.
 - Styreskinne, 4.6.2.
 - Sagkjede, 4.6.3.
 - Batteri, 4.6.4.
 - Ladeapparat, 4.6.5.
- Kontroller batteriet, 10.6.
- Batteriet må lades fullstendig, 6.2.
- Rengjør krattkutteren, 15.1.
- Monter styreskinnen og sagkjedet, 7.1.1.
- Stramme sagkjedet, 7.2.
- Smør sagkjedet, 7.3.
- Kontroller betjeningselementene, 10.5.
 - Hvis 3 LED-lamper på batteriet blinker rødt når betjeningselementene testes: Ta ut batteriet og oppsøk en STIHL-fagforhandler. Det er en feil i krattkutteren.
- Dersom trinnene ikke kan gjennomføres: Ikke bruk krattkutteren og oppsøk en STIHL fagforhandler.

6 Lade batteriet og LEDer

6.1 Montere ladeapparatet på en vegg

Ladeapparatet kan monteres på en vegg.



► Ladeapparatet må monteres på veggen på en slik måte at følgende betingelser er oppfylt:

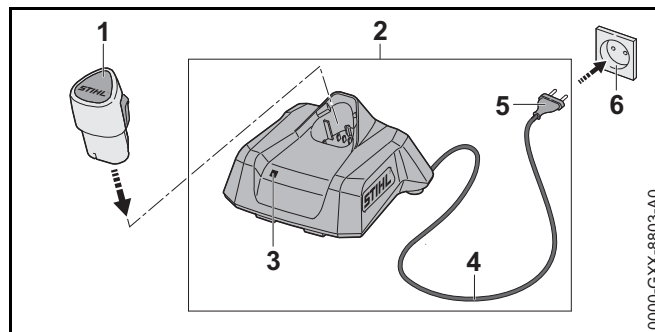
- Passende festemateriale benyttes.
- Ladeapparatet er vannrett.
- Følgende mål skal overholdes:
 - a = minst 100 mm
 - b = 54 mm
 - c = 4,5 mm
 - d = 9 mm
 - e = 2,5 mm

6.2 Lade batteriet

Ladetiden er avhengig av forskjellige innflytelser, f.eks. temperaturen til batteriet eller omgivelsestemperaturen. Den faktiske ladetiden kan avvike fra den angitte ladetiden. Ladetiden er oppgitt under www.stihl.com/charging-times.

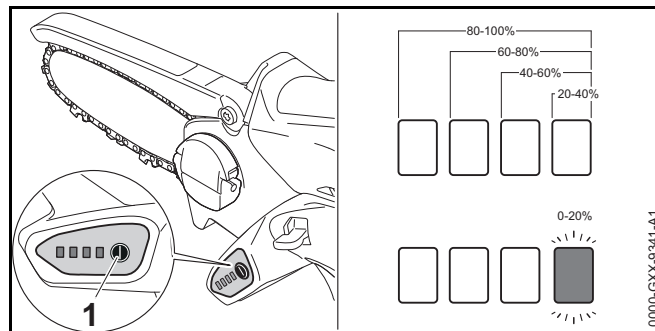
Når strømpluggen er satt inn i en stikkontakt og batteriet er satt inn i ladeapparatet, starter ladingen automatisk. Når batteriet er fullstendig ladet, slår ladeapparatet seg automatisk av.

Under ladingen blir batteriet og ladeapparatet varme.



- Stikk nettpluggen (5) inn i en lett tilgjengelig stikkontakt (6). Ladeapparatet (2) gjennomfører en selvtest. LED-en (3) lyser grønt i ca. 1 sekund og rødt i ca. 1 sekund.
- Tilkoblingsledningen (4) legges.
- Sett inn batteriet (1) i sporet til ladeapparatet (2) og trykk til anslaget. LED-en (3) lyser eller blinker grønt. Batteriet (2) lader.
- Hvis LED-en (3) ikke lyser lenger: Batteriet (1) er fullstendig ladet og kan tas ut av ladeapparatet (2).
- Hvis ladeapparatet (2) ikke brukes lenger: Trekk nettpluggen (5) ut av stikkontakten (6).

6.3 Visning av ladetilstanden




- Sett inn batteriet.

- ▶ Trykk trykknappen (1).
- Lysdiodene lyser i ca. 5 sekunder grønt og viser ladetilstanden.
- ▶ Hvis høyre lysdiode blinker grønt: Lad batteriet.

6.4 LED-er på krattkutteren

LED-ene kan vise ladetilstanden til batteriet eller feil. LED-ene kan lyse grønt eller rødt eller blinke.


Hvis LED-ene lyser eller blinker grønt, vises ladetilstanden.

- ▶ Hvis LED-ene lyser eller blinker rødt: Korrigjer feil,  18. Det er en feil i krattkutteren eller i batteriet.

6.5 LED på ladeapparatet

LED-ene viser statusen til ladeapparatet eller feil på apparatet. LED-ene kan lyse grønt eller rødt eller blinke.

Hvis LED-ene lyser grønt eller blinker, lades batteriet.

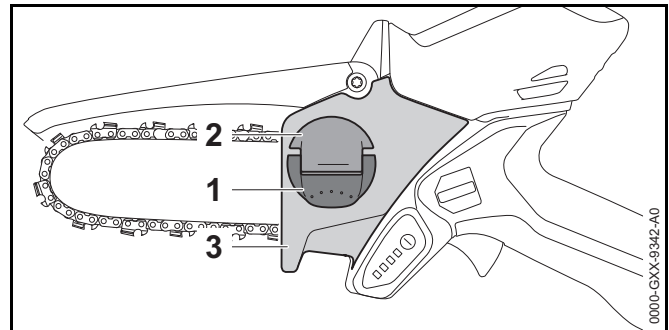
- ▶ LED-en lyser rødt eller blinker: Feil løses,  18. Det er en feil på ladeapparatet eller batteriet.

7 Sette sammen krattkutter

7.1 Demontere og montere styreskinnen og sagkjedet


7.1.1 Demontere styreskinnen og sagkjedet

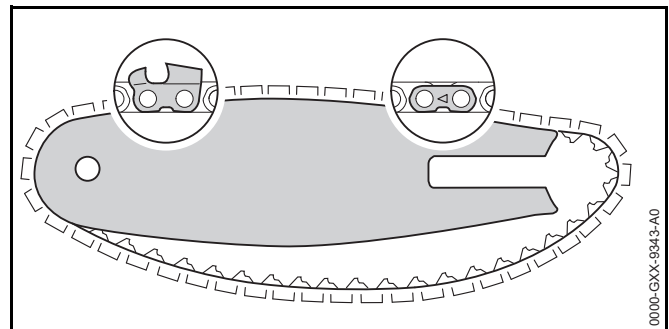
- ▶ Slå av krattkutteren og ta ut batteriet.



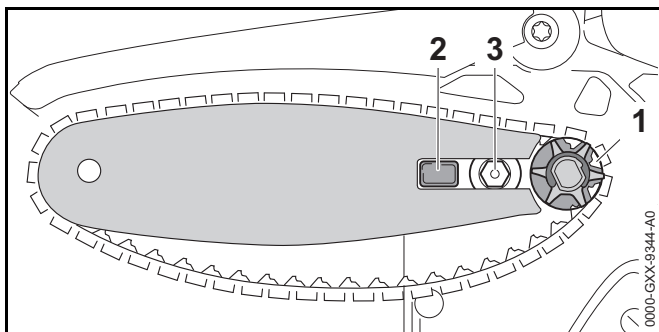
- ▶ Fold opp håndtaket (1) til vingemutteren (2).
- ▶ Drei vingemutteren (2) så lenge mot urviseren, til dekkelet til kjedehjulet (3) kan tas av.
- ▶ Ta av dekkelet til kjedehjulet (3).
- ▶ Ta av styreskinnen og sagkjedet.

7.1.2 Montere styreskinnen og sagkjedet

Kombinasjonene av styreskinnen og sagkjedet, som er egnet for kjedehjulet og som kan monteres, er angitt i de tekniske dataene,  20.1.



- ▶ Legg sagkjedet slik inn i sporet til styreskinnen, at pilene på skjøteleddene til sagkjedet på oversiden peker i løperetningen.



- ▶ Sett styreskinnen med sagkjedet på krattkutteren slik at følgende betingelser er oppfylt:
 - Drivleddene til sagkjedet sitter i tennene til kjedehjulet (1).
 - Tappen (2) sitter i langhullet til styreskinnen.
 - Krageskruen (3) sitter i det avlange hullet i styreskinnen.

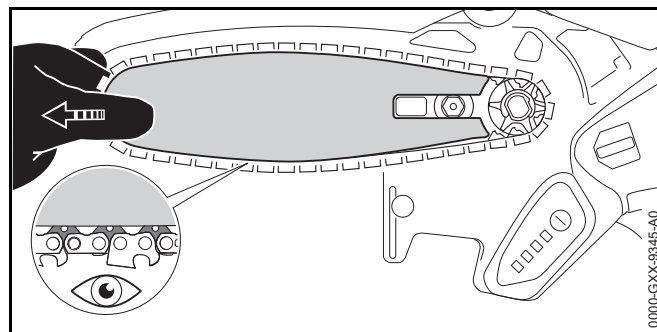
Det spiller ingen rolle hvilken vei styreskinnen står. Merket på styreskinnen kan også stå på hodet.

- ▶ Stram sagkjedet.
- ▶ Legg dekslet til kjedehjulet slik på krattkutteren at den flukter med krattkutteren.
- ▶ Drei vingemutteren så lenge med urviseren, til dekslet til kjedehjulet sitter fast på krattkutteren.
- ▶ Fold igjen håndtaket til vingemutteren.

7.2 Stramme sagkjedet

Under arbeidet utvides sagkjedet eller det trekker seg sammen. Spenningen til sagkjedet forandrer seg. Under arbeidet må du regelmessig kontrollere spenningen til sagkjedet og etterstramme det.

- ▶ Slå av krattkutteren og ta ut batteriet.



- ▶ Fold opp håndtaket til vingemutteren.
- ▶ Drei vingemutteren 2 omdreininger mot urviseren. Vingemutteren er løsnet.

⚠ ADVARSEL

Skjæretennene til sagkjedet er skarpe. Brukeren kan skjære seg.

- ▶ Bruk arbeidshansker av motstandsdyktig materiale.

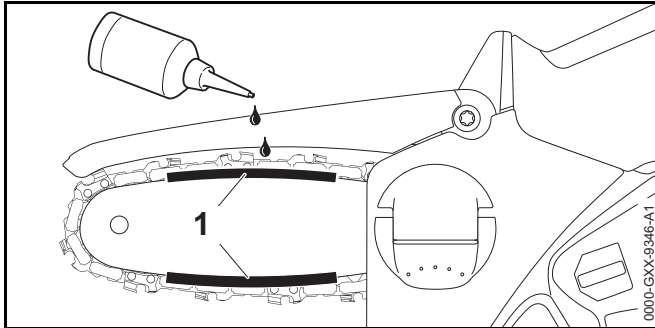
- ▶ Styreskinnen beveges så lenge mot venstre eller høyre til følgende vilkår er oppfylt:
 - Drivleddene til sagkjedet er kun halvveis synlige på undersiden av styreskinnen.
- ▶ Drei vingemutteren så lenge med urviseren, til dekslet til kjedehjulet sitter fast på krattkutteren.
- ▶ Dersom sagkjedet fremdeles kan trekkes med to fingre og lite kraft over styreskinnen: Sagkjedet er strammet riktig.
- ▶ Drivleddene til sagkjedet er fullstendig synlige på undersiden av styreskinnen: Stram sagkjedet på nytt.
- ▶ Fold igjen håndtaket til vingemutteren.

7.3 Smør sagkjedet

Multifunksjonsoljen STIHL Multioil Bio eller en lignende, biologisk nedbrytbar multifunksjonsolje smører og kjøler det roterende sagkjedet.

- ▶ Slå av krattkutteren og ta ut batteriet.
- ▶ Legg krattkutteren på en jevn flate slik at dekslet til kjedehjulet peker opp.

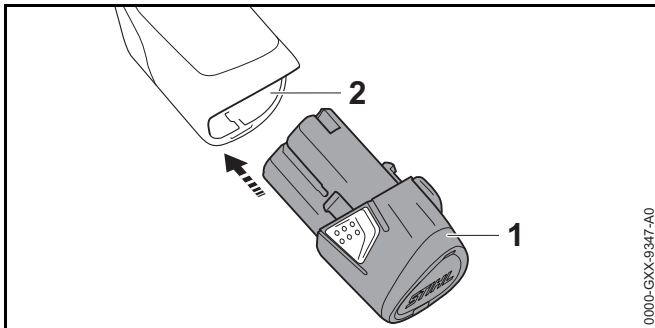
- ▶ Rengjør styreskinnen og sagkjedet med en pensel, en myk børste eller STIHL harpiks-løsemiddel.



- ▶ Multifunksjonsolje påføres i området (1) mellom styreskinne og sagkjede.
- ▶ Sett inn batteriet.
- ▶ Slå på krattkutteren. Multifunksjonsolje fordeles på sagkjedet. Sagkjedet er smurt.

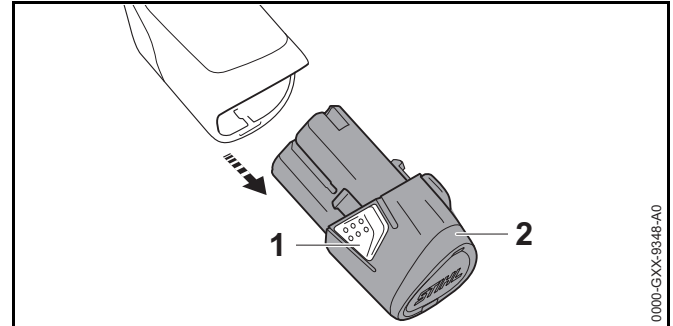
8 Sette inn og ta ut batteriet

8.1 Sette inn batteriet



- ▶ Trykk batteriet (1) inntil anslaget inn i batterisporet (2). Batteriet (1) går i inngrep med et klikk.

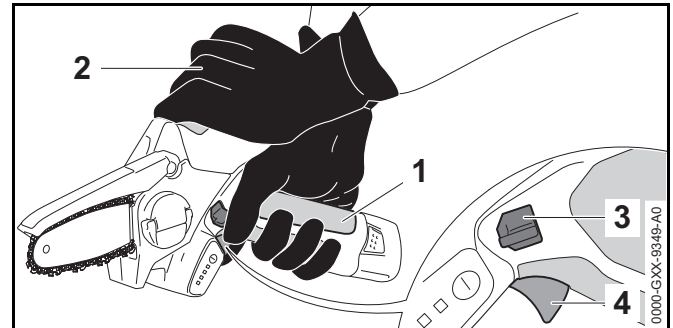
8.2 Ta ut batteriet



- ▶ Trykk på begge sperrehakene (1). Batteriet (2) låses opp og kan tas ut.

9 Slå krattkutteren på og av

9.1 Slå på krattkutteren



- ▶ Hold krattkutteren med en hånd i gripeområdet (1) på betjeningshåndtaket, slik at tommelen griper rundt betjeningshåndtaket.
- ▶ Hold og før krattkutteren med den andre hånden på gripepunktet (2).
- ▶ Trykk inn låsespaken (3) med tommelen og hold den inne.

- ▶ Trykk girspaken (4) med pekefingeren og hold den trykket.
Krattkutteren øker hastigheten og sagkjedet beveger seg. Låsespaken (3) kan slippes.

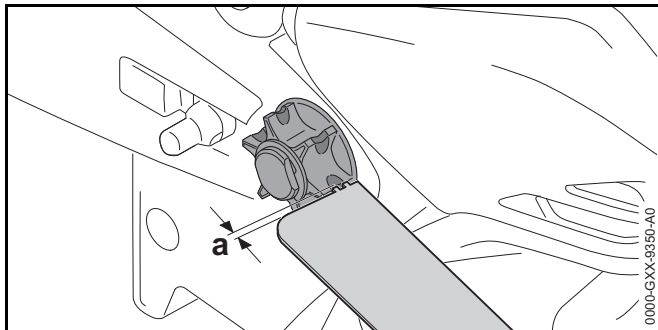
9.2 Slå av krattkutteren

- ▶ Slipp girspaken.
Sagkjedet går ikke lenger.
- ▶ Hvis sagkjedet fortsetter å gå: Ta ut batteriet og oppsøk en STIHL fagforhandler. Krattkutteren er defekt.

10 Kontrollere krattkutter og batteri

10.1 Kontrollere kjedehjulet

- ▶ Slå av krattkutteren og ta ut batteriet.
- ▶ Demonter dekselet til kjedehjulet.
- ▶ Demonter styreskinnen og sagkjedet.

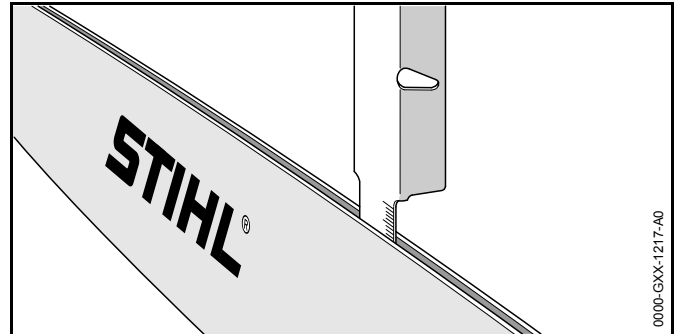


- ▶ Kontroller kjøresporene på kjedehjulet med et STIHL prøveinstrument.
- ▶ Hvis innløpssporene er dypere enn $a = 0,5$ mm: Ikke bruk krattkutteren og oppsøk en STIHL fagforhandler. Kjedehjulet må skiftes ut.

10.2 Kontrollere styreskinnen

- ▶ Slå av krattkutteren og ta ut batteriet.

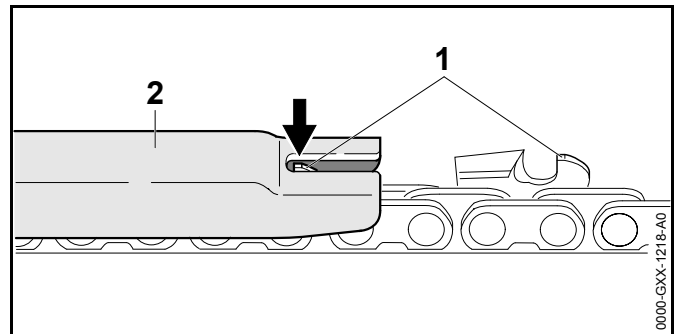
- ▶ Demonter sagkjedet og styreskinnen.




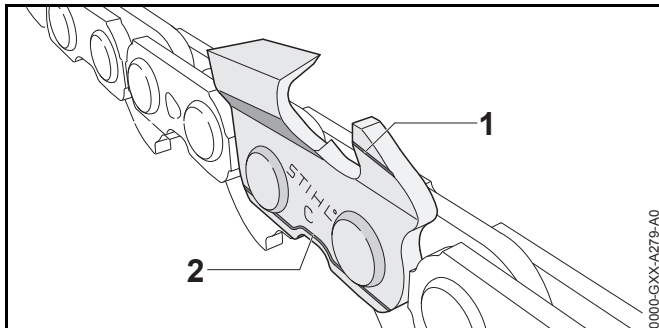
- ▶ Mål dybden til sporet til styreskinnen med målestokken til en STIHL filemal.
- ▶ Bytt styreskinnen hvis en av følgende betingelser er oppfylt:
 - Styreskinnen er skadet.
 - Den målte dybden er mindre enn den minimale spordybden til styreskinnen 19.3.
 - Sporet til styreskinnen er trangt eller spredt.
- ▶ Dersom det er uklarheter: Oppsøk en STIHL fagforhandler.

10.3 Kontrollere sagkjedet

- ▶ Slå av krattkutteren og ta ut batteriet.



- ▶ Mål høyden til dybdebegrenseren (1) med en STIHL filemal (2). STIHL filemalen må passe til delingen av sagkjedet.
- ▶ Dersom en dybdebegrenser (1) rager utover fillæren (2): Slettfil dybdebegrenseren (1)  16.1.



- ▶ Kontroller om slitasjemarkeringene (1 og 2) er synlige på skjæretennene.
- ▶ Hvis ingen slitasjemarkeringer er synlige på en skjæretann: Ikke bruk sagkjedet og oppsøk en STIHL fagforhandler.
- ▶ Kontroller med en STIHL fillære om slipevinkelen til skjæretennene på 30° er overholdt. STIHL filemalen må passe til delingen av sagkjedet.
- ▶ Hvis slipevinklene på 30° ikke er overholdt: Slip sagkjedet.
- ▶ Dersom det er uklarheter: Oppsøk en STIHL fagforhandler.

10.4 Kontroller den beskyttende hetten

- ▶ Ta ut batteriet.



Skjæretennene til sagkjedet er skarpe. Brukeren kan skjære seg.

- ▶ Bruk arbeidshansker av motstandsdyktig materiale.
-
- ▶ Vipp opp den beskyttende hetten og slipp den fri. Den beskyttende hetten fjærer tilbake til utgangsposisjonen.

- ▶ Dersom den beskyttende hetten går tungt og ikke fjærer tilbake i utgangsposisjon: Ikke bruk krattkutteren og ta kontakt med en STIHL-fagforhandler. Den beskyttende hetten er defekt.

10.5 Kontrollere betjeningselementene

Låsespak og girspak

- ▶ Ta ut batteriet.
- ▶ Prøv å trykke inn girspaken uten å trykke inn låsespaken.
- ▶ Hvis girspaken kan trykkes på: Oppsøk en STIHL fagforhandler. Låsespaken er defekt.
- ▶ Trykk inn låsespaken og hold den inne.
- ▶ Trykk girspaken og slipp den igjen.
- ▶ Dersom girspaken går tungt eller ikke fjærer tilbake i utgangsposisjon: Ikke bruk krattkutteren og ta kontakt med en STIHL-fagforhandler. Girspaken er defekt.

Slå på krattkutteren

- ▶ Sett inn batteriet.
- ▶ Trykk inn låsespaken og hold den inne.
- ▶ Trykk girspaken og hold den trykket inne. Sagkjedet går.
- ▶ Hvis 3 LED-er blinker rødt: Ta ut batteriet og oppsøk en STIHL fagforhandler. Det er en feil i krattkutteren.
- ▶ Slipp girspaken. Sagkjedet går ikke lenger.
- ▶ Hvis sagkjedet fortsetter å gå: Ta ut batteriet og oppsøk en STIHL fagforhandler. Krattkutteren er defekt.

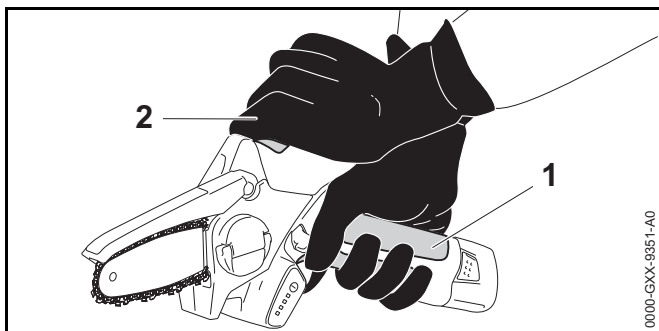
10.6 Kontroller batteriet

- ▶ Sett inn batteriet.
- ▶ Trykk trykknappen på krattkutteren. LED-ene lyser eller blinker.

- ▶ Hvis LED-ene ikke lyser eller blinker: Ikke bruk krattkutteren og batteriet, og oppsøk en STIHL-fagforhandler. Det er en feil i krattkutteren eller i batteriet.

11 Arbeide med krattkutteren

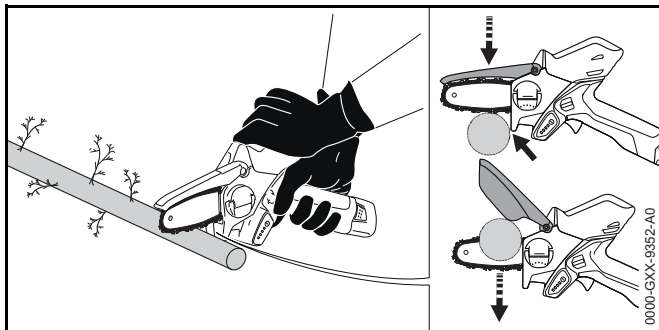
11.1 Hold og før krattkutteren



- ▶ Hold krattkutteren med en hånd i gripeområdet (1) på betjeningshåndtaket og før den slik at tommelen griper rundt betjeningshåndtaket.
- ▶ Hold og før krattkutteren med den andre hånden på gripepunktet (2).

11.2 Skjære

- ▶ Før styreskinnen med full gass rett i snittet.



- ▶ Sett på anslaget og bruk det som dreiepunkt.
- ▶ Før styreskinnen fullstendig gjennom treverket.
- ▶ På slutten av snittet må du fange opp vekten til krattkutteren.
- ▶ Grener sages enkeltvis.

12 Etter arbeidet

12.1 Etter arbeidet

- ▶ Slå av krattkutteren og ta ut batteriet.
- ▶ Hvis krattkutteren er vått: La krattkutteren tørke.
- ▶ Hvis batteriet er vått: La batteriet tørke.
- ▶ Rengjør krattkutteren.
- ▶ Rengjør styreskinnen og sagkjedet.
- ▶ Skyv kjedebeskyttelsen slik over styreskinnen, at den dekker styreskinnen fullstendig.
- ▶ Rengjør batteriet.

13 Transport

13.1 Transportere krattkutteren

- ▶ Slå av krattkutteren og ta ut batteriet.
- ▶ Skyv kjedebeskyttelsen slik over styreskinnen, at den dekker styreskinnen fullstendig.

Støtt krattkutteren

- ▶ Hold krattkutteren med en hånd på betjeningshåndtaket slik at styreskinnen peker nedover.

Transporter krattkutteren i et kjøretøy

- ▶ Transporter krattkutteren i lommen som følger med.
- ▶ Lommen må sikres slik at lommen ikke kan velte eller bevege seg.

- ▶ Dersom ingen lomme er med i leveringsomfanget: Krattkutteren må sikres med stropper, reimer eller nett slik at krattkutteren ikke kan velte eller bevege seg.

13.2 Transportere batteriet

- ▶ Slå av krattkutteren og ta ut batteriet.
- ▶ Forsikre deg om at batteriet er i sikker tilstand.
- ▶ Pakk batteriet i lommen som følger med.
- ▶ Dersom ingen lomme er med i leveringsomfanget: Pakk batteriet slik at følgende betingelser er oppfylt:
 - Forpakningen er elektrisk ikke ledende.
 - Batteriet kan ikke bevege seg i forpakningen.
- ▶ Forpakningen må sikres slik, at den ikke kan bevege seg.

Batteriet underligger kravene for transport av farlig gods. Batteriet er klassifisert som UN 3480 (litium-ion-batterier) og ble kontrollert i henhold til UN-håndbok Kontroller og kriterier Del III, underavsnitt 38.3.

Forskriftene for transport er oppgitt under www.stihl.com/safety-data-sheets.

13.3 Transportere ladeapparatet

- ▶ Trekk nettpluggen ut av stikkkontakten.
- ▶ Ta ut batteriet.
- ▶ Vikle opp tilkoblingsledningen og fest den på ladeapparatet.
- ▶ Hvis ladeapparatet transporteres i et kjøretøy:
 - ▶ Transportere ladeapparatet i lommen som følger med.
 - ▶ Lommen må sikres slik, at lommen ikke kan velte eller bevege seg.
 - ▶ Dersom ingen lomme er med i leveringsomfanget: Ladeapparatet må sikres slik at ladeapparatet ikke kan velte eller bevege seg.

14 Oppbevaring

14.1 Oppbevar krattkutteren

- ▶ Slå av krattkutteren og ta ut batteriet.
- ▶ Skyv kjedebeskyttelsen slik over styreskinnen, at den dekker styreskinnen fullstendig.
- ▶ Krattkutteren må oppbevares slik at følgende betingelser er oppfylt:
 - Krattkutteren er utenfor rekkevidde for barn.
 - Krattkutteren er ren og tørr.
 - Sagkjedet er smurt.

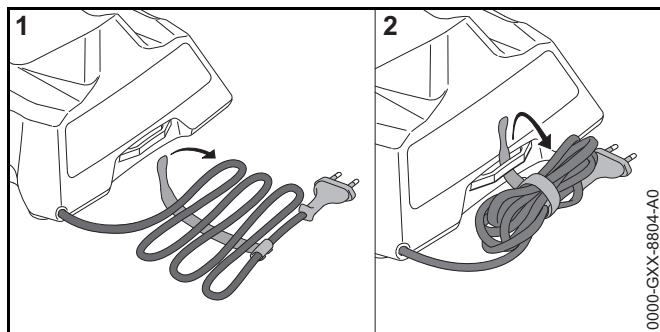
14.2 Oppbevare batteriet

STIHL anbefaler å oppbevare batteriet i en ladetilstand mellom 40 % og 60 % (2 grønt lysende LED-er).

- ▶ Batteriet må oppbevares slik at følgende betingelser er oppfylt:
 - Batteriet er utenfor rekkevidden til barn.
 - Batteriet er rent og tørt.
 - Batteriet er i et lukket rom.
 - Batteriet er koblet fra krattkutteren og ladeapparatet.
 - Batteriet er i en elektrisk ikke-ledende forpakning.
 - Batteriet er i temperaturområdet mellom - 20 °C og + 60 °C.

14.3 Oppbevare ladeapparatet

- ▶ Trekk nettpluggen ut av stikkkontakten.
- ▶ Ta ut batteriet.



- ▶ Vikle opp tilkoblingsledningen og fest den på ladeapparatet.
- ▶ Ladeapparatet må oppbevares slik at følgende betingelser er oppfylt:
 - Ladeapparatet er utenfor rekkevidden til barn.
 - Ladeapparatet er rent og tørt.
 - Ladeapparatet er i et lukket rom.
 - Ladeapparatet er frakoblet fra det batteriet.
 - Ladeapparatet er ikke hengt opp på tilkoblingsledningen.
 - Ladeapparatet er i temperaturområdet mellom - 20 °C og + 60 °C.

15 Rengjøring

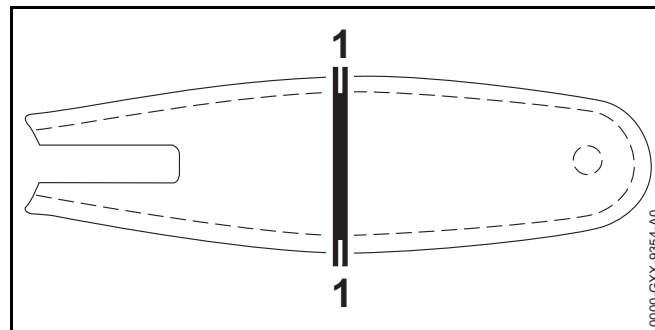
15.1 Rengjør krattkutteren

- ▶ Slå av krattkutteren og ta ut batteriet.
- ▶ Rengjør krattkutteren med en fuktig klut eller STIHL harpiks-løsemiddel.
- ▶ Demonter dekselet til kjedehjulet.
- ▶ Rengjør området rundt kjedehjulet med en fuktig klut eller STIHL harpiks-løsemiddel.
- ▶ Fremmedlegemer fjernes fra batterispolet og batterispolet rengjøres med en fuktig klut.
- ▶ Elektriske kontakter i batterispolet rengjøres med en pensel eller en myk børste.

- ▶ Monter dekselet til kjedehjulet.

15.2 Rengjøre styreskinnen og sagkjedet

- ▶ Slå av krattkutteren og ta ut batteriet.
- ▶ Demonter styreskinnen og sagkjedet.



- ▶ Rengjør sporet (1) med en pensel, en myk børste eller STIHL harpiks-løsemiddel.
- ▶ Rengjør sagkjedet med en pensel, en myk børste eller STIHL harpiks-løsemiddel.
- ▶ Monter styreskinnen og sagkjedet.
- ▶ Smør sagkjedet.

15.3 Rengjøre batteriet

- ▶ Rengjør batteriet med en fuktig klut.

15.4 Rengjøre ladeapparatet

- ▶ Trekk nettpluggen ut av stikkkontakten.
- ▶ Rengjør ladeapparatet med en fuktig klut.
- ▶ Rengjør de elektriske kontaktene til ladeapparatet med en pensel eller en myk børste.

16 Vedlikeholde

16.1 Slipe sagkjedet

Det krever mye øvelse, for å slipe sagkjedet riktig.

STIHL filer, STIHL filehjelpemidler, STIHL slipeapparater og brosjyren "Slipe STIHL sagkjeder", hjelper deg med riktig sliping av sagkjedet. Brosjyren er tilgjengelig under www.stihl.com/sharpening-brochure.

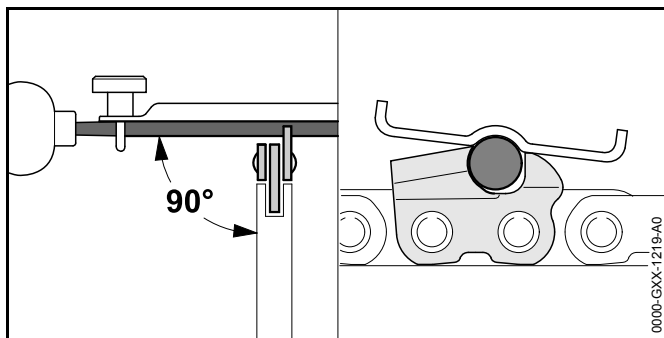
STIHL anbefaler å la en STIHL fagforhandler slipe sagkjedene.



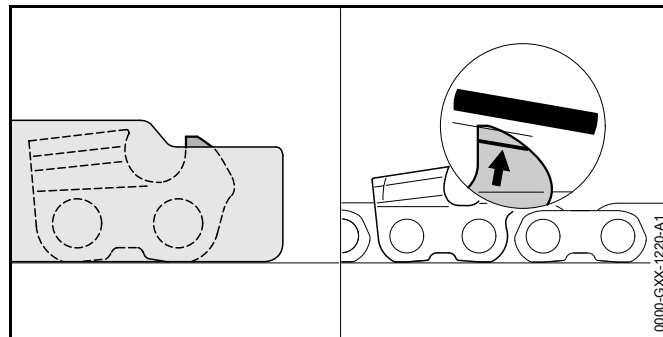
ADVARSEL

Skjæretennene til sagkjedet er skarpe. Brukeren kan skjære seg.

- Bruk arbeidshansker av motstandsdyktig materiale.



- Hver skjæretann må slipes slik med en rundfil, at følgende betingelser er oppfylt:
 - Rundfilen passer for delingen av sagkjedet.
 - Rundfilen føres fra innsiden og utover.
 - Rundfilen føres i rett vinkel til styreskinnen.
 - Slipevinkel på 30° overholdes.



- Dybdebegrensere må slipes slik med en flatfil, at de er plane med STIHL filmalen og er parallelle til slitasjemarkeringen. STIHL filemalen må passe til delingen av sagkjedet.
- Dersom det er uklarheter: Oppsøk en STIHL fagforhandler.

17 Reparere


17.1 Reparere krattkutteren, batteriet og ladeapparatet

Brukeren kan ikke reparere krattkutteren, styreskinnen, sagkjedet, batteriet og ladeapparatet selv.

- Hvis krattkutteren, styreskinnen eller sagkjedet er skadet: Ikke bruk krattkutteren, styreskinnen eller sagkjedet og oppsøk en STIHL fagforhandler.
- Hvis batteriet er defekt eller skadet: Skift ut batteriet.
- Hvis ladeapparatet er defekt eller skadet: Bytt ut ladeapparatet.
- Hvis tilkoblingsledningen er defekt eller skadet: Ikke bruk ladeapparatet og la en STIHL fagforhandler bytte tilkoblingsledningen.

18 Utbedre feil

18.1 Utbedre feil på krattkutteren eller batteriet

Feil	LED-er på krattkutteren	Årsak	Utbedring
Krattkutteren starter ikke når den slås på.	1 LED-en blinker grønt.	Ladetilstanden til batteriet er for lav.	► Lad batteriet.
	1 LED lyser rødt.	Batteriet er for varmt eller kaldt.	► Ta ut batteriet. ► La batteriet avkjøles eller oppvarmes.
	3 LED-er blinker rødt.	Det er en feil i krattkutteren.	► Ta ut batteriet. ► Rengjør de elektriske kontaktene i batterisporet. ► Sett inn batteriet. ► Slå på krattkutteren. ► Hvis 3 LED-er fortsatt blinker rødt: Ikke bruk krattkutteren og oppsøk en STIHL fagforhandler.
	3 LED-er lyser rødt.	Krattkutteren er for varm.	► Ta ut batteriet. ► La krattkutteren avkjøles.
	4 LED-er blinker rødt.	Det er en feil i batteriet.	► Ta ut batteriet og sett det inn igjen. ► Slå på krattkutteren. ► Hvis 4 LED-er fortsatt blinker rødt: Ikke bruk batteriet og oppsøk en STIHL fagforhandler.
		Den elektriske forbindelsen mellom krattkutteren og batteriet er brutt.	► Ta ut batteriet. ► Rengjør de elektriske kontaktene i batterisporet. ► Sett inn batteriet.
		Krattkutteren eller batteriet er fuktig.	► La krattkutteren eller batteriet tørke.
		Sagkjedet er klemt fast.	► Ta ut batteriet. ► Rengjør krattkutteren,  15.1.
Krattkutteren slår seg av under drift.	3 LED-er lyser rødt.	Krattkutteren er for varm.	► Ta ut batteriet. ► La krattkutteren avkjøles.
		Det er en elektrisk feil.	► Ta ut batteriet og sett det inn igjen. ► Slå på krattkutteren.
Kutteeffekten til krattkutteren reduseres plutselig.	1 LED-en blinker grønt.	Ladetilstanden til batteriet er for lav.	► Lad batteriet.

Feil	LED-er på krattkutteren	Årsak	Utbedring
		Sagkjedet er ikke slipt riktig.	► Slip sagkjedet riktig.
		Sagkjedet er strammet for mye.	► Stram sagkjedet riktig.
		Kjedesmøringen er utilstrekkelig.	► Smør sagkjedet.
Driftstiden til krattkutteren er for kort.		Batteriet er ikke fullstendig ladet.	► Lad batteriet fullstendig.
		Brukstiden til batteriet er overskredet.	► Skift ut batteriet.

18.2 Oppheve feil til ladeapparatet

Feil	LED på ladeapparatet	Årsak	Utbedring
Batteriet lades ikke.	LED-en lyser rødt.	Batteriet er for varmt eller kaldt.	► La batteriet være i ladeapparatet. Ladingen starter automatisk, så snart det tillatte temperaturområdet er nådd.
	LED-en blinker rødt.	Den elektriske forbindelsen mellom ladeapparatet og batteriet er brutt.	► Ta ut batteriet. ► Rengjør elektriske kontakter på ladeapparatet. ► Sett inn batteriet.
		Det er en feil i ladeapparatet.	► Ikke bruk ladeapparatet og oppsøk en STIHL fagforhandler.
		Det er en feil i batteriet.	► Ikke bruk batteriet og oppsøk en STIHL fagforhandler.
Ladeapparatet gjennomfører en selvtest.	LED-en lyser ikke grønt i ca. 1 sekund og rødt i ca. 1 sekund.	Den elektriske forbindelsen til ladeapparatet er kort brutt.	► Trekk nettpluggen ut av stikkontakten. ► Vent i 1 minutt. ► Sett nettpluggen i stikkontakten.

19 Tekniske data

19.1 Krattkutter STIHL GTA 26

- Godkjent batteri: STIHL AS
- Vekt uten batteri, med styreskinne og sagkjede: 1,2 kg

Driftstid er oppgitt under www.stihl.com/battery-life.

19.2 Kjedehjul

Følgende kjedehjul kan brukes:

- 6-tagget for 1/4" P

19.3 Minimal spordybde til styreskinnene

Den minimale spordybden er avhengig av delingen til styreskinnen.

- 1/4" P: 4 mm

19.4 Batteri STIHL AS

- Batteriteknologi: Litium-ion
- Spenning: 10,8 V
- Kapasitet i Ah: se typeskilt
- Energiinnhold i Wh: se typeskilt
- Vekt i kg: se typeskilt
- Tillatt temperaturområde for bruk og oppbevaring: - 20 °C til + 50 °C

Hvis batteriet benyttes ved en temperatur under 0 °C eller over + 30 °C, kan driftstiden på batteriet reduseres, og ytelsen til krattkutteren bli dårligere.

19.5 Ladeapparat STIHL AL 1

- Merkespenning: se typeskilt
- Frekvens: se typeskilt

- Nominell effekt: se typeskilt
- Ladestrøm: se typeskilt
- Tillatt temperaturområde for bruk og oppbevaring: - 20 °C og + 50 °C
- Maksimal energiinnhold for det tillatte batteriet STIHL AS: 12,5 Ah

Ladetiden er oppgitt under www.stihl.com/charging-times.

Hvis ladeapparatet brukes i temperaturer lavere enn + 5 °C eller høyere enn + 30 °C, kan ladetiden bli lengre.

19.6 Skjøteledninger

Hvis det brukes en skjøteledning må lederne minst ha følgende tverrsnitt, avhengig av spenningen og lengden på skjøteledningen:

Hvis den nominelle spenningen på typeskiltet er 220 V til 240 V:

- Ledningslengde opptil 20 m: AWG 15 / 1,5 mm²
- Ledningslengde 20 m opptil 50 m: AWG 13 / 2,5 mm²

Hvis den nominelle spenningen på typeskiltet er 100 V til 127 V:

- Ledningslengde opptil 10 m: AWG 14 / 2,0 mm²
- Ledningslengde 10 m opptil 30 m: AWG 12 / 3,5 mm²

19.7 Lydverdier og vibrasjonsverdier

K-verdien for lydtrykknivåene er 2 dB(A). K-verdien for lydeffektnivåene er 2 dB(A). K-verdien for vibrasjonsverdiene er 2 m/s².

STIHL anbefaler å bruke hørselsvern.

- Lydtrykknivå L_{pA} målt iht. EN 60745-2-13: 77 dB(A)
- Lydtrykknivå L_{WA} målt iht. EN 60745-2-13: 86 dB(A)
- Vibrasjonsverdi a_{hv} målt iht. EN 60745-2-13:
 - Betjeningshåndtak: 2,8 m/s²
 - Gripepunkt: 2,9 m/s.

De angitte vibrasjonsverdiene ble målt med en standardisert testprosedyre og kan trekkes inn til sammenligning av elektriske apparater. Vibrasjonsverdiene som faktisk oppstår, kan avvike fra de angitte verdiene avhengig av typen arbeid. De angitte vibrasjonsverdiene kan benyttes til en foreløpig vurdering av vibrasjonsbelastningen. Den faktiske vibrasjonsbelastningen må anslås. Derved kan det også tas hensyn til periodene der elektriske apparatet er slått av, og periodene der det er slått på men går uten belastning.

Informasjon angående oppfyllelse av arbeidsgiverdirektivet om vibrasjon 2002/44/EF er angitt under www.stihl.com/vib.

19.8 REACH

REACH betegner en EF-forordning for registrering, vurdering og godkjenning av kjemikalier.

Informasjon om oppfyllelse av REACH forordningen er angitt under www.stihl.com/reach .

20 Kombinasjoner av styreskinnene og sagkjeder

20.1 Krattkutter STIHL GTA 26

Deling	Drivledd tykkelse/sporbredde	Lengde	Styreskinne	Antall tenner kjedehjul	Antall drivledd	Sagkjede
1/4" P	1,1 mm	10 cm	Light	-	28	71 PM3 (type 3670)

Snittlengden til en styreskinne er avhengig av anvendt krattkutter og sagkjede. Den faktiske snittlengden til en styreskinne kan være mindre enn den angitte lengden.

21 Reservedeler og tilbehør

21.1 Reservedeler og tilbehør

STIHL Disse symbolene identifiserer STIHL reservedeler og originalt STIHL tilbehør.



STIHL anbefaler å bruke STIHL reservedeler og originalt STIHL tilbehør.

Originale STIHL reservedeler og originalt STIHL tilbehør fås kjøpt hos en STIHL fagforhandler.

22 Kassering

22.1 Kassere krattkutteren, batteriet og ladeapparatet

Informasjon om kassering er tilgjengelig hos din STIHL fagforhandler.

- ▶ Krattkutteren, styreskinnen, sagkjedet, batteriet, ladeapparatet, tilbehøret og forpakningen må kasseres forskriftsmessig og miljøvennlig.

23 EU-samsvarserklæring

23.1 Krattkutter STIHL GTA 26

ANDREAS STIHL AG & Co. KG
Badstraße 115
D-71336 Waiblingen
Tyskland

påtar seg alene ansvaret for at

- Konstruksjon: Batteridrevet krattkutter
- Varemerke: STIHL
- Type: GTA 26

– Serieidentifikasjon: GA01

oppfyller de gjeldende bestemmelsene til direktivene 2011/65/EU, 2006/42/EF 2014/30/EF og 2000/14/EU, og er utviklet og produsert i henhold til følgende standarder, som gjaldt ved produksjonsdato: EN 55014-1, EN 55014-2, EN 62841-1.

EF-typegodkjenningen iht. direktiv 2006/42/EF, art. 12.3(b) ble gjennomført hos: VDE test- og sertifiseringsinstitutt (NB 0366), Merianstraße 28, 63069 Offenbach, Tyskland

– Sertifiseringsnummer: 40050017

Det målte og garanterte lydeffektnivået ble beregnet i henhold til direktivet 2000/14/EF, vedlegg V.

– Målt lydeffektnivå: 88 dB(A)

– Garantert lydeffektnivå: 90 dB(A)

De tekniske dokumentene oppbevares ved produktgodkjenningen til ANDREAS STIHL AG & Co. KG.

Byggeår, produksjonsland og maskinnummer står på krattkutteren.

Waiblingen, 03.02.2020

ANDREAS STIHL AG & Co. KG

med fullmakt fra

Dr. Jürgen Hoffmann, leder for produktdata, forskrifter og godkjenning

23.2 Samsvarsmerknad ladeapparat STIHL AL 1

Dette ladeapparatet er produsert og markedsført i samsvar med følgende direktiver: 2014/35/EU, 2014/30/EU og 2011/65/EU.

Byggeår, produksjonsland og maskinnummer er angitt på enheten.

Den fullstendige EU-samsvarserklæringen er tilgjengelig hos ANDREAS STIHL AG & Co. KG, Badstraße 115, 71336 Waiblingen, Tyskland.

24 Generelle sikkerhetsanvisninger for elektroverktøy

24.1 Innledning

Dette kapittelet gjengir de generelle sikkerhetsanvisningene som er angitt i standarden EN/IEC 62841 for håndførte motordrevne elektroverktøy.

STIHL må gjengi disse tekstene.

Sikkerhetsanvisningene som er angitt under "Elektrisk sikkerhet" for unngåelse av elektrisk støt gjelder ikke for STIHL batteri-produkter.



ADVARSEL

Les sikkerhetsanvisningene, instruksene, illustrasjoner og tekniske data som følger med dette verktøyet. Unnlattelse av å overholde de påfølgende sikkerhetsanvisningene og instruksene kan føre til elektrisk støt, brann og/eller alvorlige personskader. **Oppbevar alle sikkerhetsanvisninger og instruksjoner for senere bruk.**

Begrepet "Elektroverktøy" som brukes i sikkerhetsanvisningene gjelder for strømdrevne elektroverktøy (med strømkabel) eller batteridrevne elektroverktøy (uten strømkabel).

24.2 Sikkerhet på arbeidsplassen

- Hold arbeidsområdet rent og godt belyst.** Uorden eller ubelyste arbeidsområder kan føre til ulykker.
- Ikke arbeid med elektroverktøyet i eksplosjonsfarlig omgivelse, der det befinner seg brennbare væsker, gass eller støv.** Elektroverktøy lager gnister, som kan antenne støvet eller dampen.
- Hold barn og andre personer unna når du bruker elektroverktøyet.** Distraksjoner kan føre til at du mister kontrollen over apparatet.

24.3 Elektrisk sikkerhet

- Tilkoblingspluggen til elektroverktøyet må passe inn i stikkkontakten. Pluggen må på ingen måter endres. Ikke bruk adapterpluggen sammen med jordet elektroverktøy.** Pluggen som ikke er endret og passende stikkontakter reduserer faren for elektrisk støt.
- Unngå kroppskontakt med jordete overflater til f.eks. rør, radiatorer, ovner og kjøleskap.** Det er økt fare for elektrisk støt, når kroppen din er jordet.
- Hold elektroverktøy unna regn og fuktighet.** Hvis det kommer inn vann i et elektroverktøy øker dette faren for elektrisk støt.
- Ikke bruk ledningen til andre formål, som f.eks. bære elektroverktøyet, henge det opp eller på eller for å trekke pluggen ut av stikkkontakten. Hold ledningen unna varme, olje, skarpe kanter eller bevegelige apparatdeler.** Skadde eller vridde ledninger øker faren for elektrisk støt.
- Hvis du arbeider utendørs med elektroverktøyet, må du kun bruke skjøteledninger, som er egnet for utendørs bruk.** Bruk av en skjøteledning som er egnet for utendørs bruk reduserer faren for elektrisk støt.
- Hvis det ikke er mulig å unngå drift av elektroverktøyet i fuktig omgivelse, må du bruke en jordfeilbryter.** Bruk av en jordfeilbryter reduserer faren for elektrisk støt.

24.4 Sikkerhet av personer

- Vær oppmerksom, pass på hva du holder på med, og gå fornuftig frem ved arbeid med et elektroverktøy. Ikke bruk elektroverktøy, når du er trøtt eller er under innflytelse av rusmidler, alkohol eller medikamenter.** Ett øyeblikks uoppmerksomhet ved bruk av elektroverktøyet kan føre til alvorlige personskader.
- Bruk personlig verneutstyr og alltid en vernebrille.** Bruk av personlig verneutstyr, som støvmaske, sklisikre sikkerhetssko, vernehjelm eller hørselsvern, alt etter type og bruk av elektroverktøyet, reduserer faren for personskader.

- c) **Unngå utilsiktet igangsetting. Forsikre deg om at elektroverktøyet er slått av, før du kobler det til strømforsyningen og/eller kobler til batteriet, plukker det opp eller bærer det.** Hvis du har fingeren på bryteren mens du bærer elektroverktøyet eller kobler apparatet til strømforsyningen mens det er slått på, kan dette føre til ulykker.
- d) **Fjern innstillingsverktøy eller skrunøkler, før du slår på elektroverktøyet.** Et verktøy eller en nøkkel, som befinner seg i en roterende del av apparatet, kan føre til personskader.
- e) **Unngå unormal kroppsholdning. Sørg for sikker stand og hold til enhver tid balansen.** Slik kan du i uventede situasjoner bedre kontrollere elektroverktøyet.
- f) **Bruk egnede klær. Ikke bruk vide klær eller smykker. Hold hår og klær unna bevegelige deler.** Løse klær, smykker eller langt hår kan trekkes inn av bevegelige deler.
- g) **Hvis det er mulig å montere støvavtrekks- og -oppsamlingsinnretninger, må de kobles til og brukes på riktig måte.** Bruk av støvavtrekk kan redusere farene gjennom støv.
- h) **Men du må ikke føle deg for sikker, og ikke heve deg selv over sikkerhetsreglene for elektroverktøy, selv om du etter hyppig bruk er kjent med elektroverktøyet.** Uaktsom handling kan i løpet av få sekunder føre til alvorlige personskader.

24.5 Bruk og behandling av elektroverktøyet

- a) **Apparatet må ikke overbelastes. Ved arbeidet må du alltid bruke elektroverktøyet som er ment for dette.** Med det egnede elektroverktøyet arbeider du bedre og sikrere i det angitte ytelsesområdet.
- b) **Ikke bruk elektroverktøy, som har en defekt bryter.** Et elektroverktøy som ikke lenger kan slå på eller av, er farlig og må repareres.
- c) **Trekk pluggen ut av stikkkontakten og/eller fjern det avtakbare batteriet, før du foretar innstillinger på apparatet, bytter deler på bruksredskaper eller legger til side elektroverktøyet.** Denne forholdsregelen hindrer utilsiktet start av elektroverktøyet.

- d) **Elektroverktøy som ikke brukes må oppbevares utenfor rekkevidden til barn. Ikke la personer bruke apparatet, som ikke er kjent med det eller ikke har lest disse anvisningene.** Elektroverktøy er farlige, hvis de brukes av uerfarne personer.
- e) **Elektroverktøy og bruksredskaper krever nøye pleie. Kontroller om bevegelige deler fungerer feilfritt og ikke klemmer, om deler er brukket eller ødelagt, slik at funksjonen til elektroverktøyet er redusert. Skadde deler må repareres før elektroverktøyet brukes.** Mange ulykker kan føres tilbake til dårlig vedlikehold av elektroverktøy.
- f) **Skjæreverktøy skal holdes skarpe og rene.** Skjæreverktøy som pleies godt og har skarpe skjærekanten klemmer mindre og føres lettere.
- g) **Elektroverktøy, bruksverktøy, bruksredskaper osv. skal brukes tilsvarende disse anvisningene. Derved må du ta hensyn til arbeidsforholdene og arbeidet som skal utføres.** Bruk av elektroverktøy for andre anvendelser enn det de er ment for kan føre til farlige situasjoner.
- h) **Hold alle håndtak og gripeflater tørre, rene og fri for olje og fett.** Glatte håndtak og gripeflater tillater ikke sikker betjening og styring av elektroverktøyet i uforutsigbare situasjoner.

24.6 Bruk og behandling av det batteridrevne verktøyet

- a) **Batterier må kun lades med ladeapparater som anbefales av produsenten.** Gjennom et ladeapparat, som er egnet for en bestemt type batterier, er det brannfare, hvis det brukes med andre batterier.
- b) **Benytt kun batterier som er ment for dette i elektroverktøy.** Bruk av andre batterier kan føre til personskader eller brannfare.
- c) **Batterier som ikke brukes må holdes unna binders, mynter, nøkler, spikre, skruer eller andre små metallgjenstander, som kan føre til forbikobling av kontaktene.** En kortslutning mellom batterikontaktene kan føre til forbrenninger eller brann.

- d) **Ved feil bruk kan væske lekke ut av batteriet. Unngå kontakt med den. Skyll med vann ved tilfeldig kontakt. Hvis væsken kommer inn i øynene, må du i tillegg konsultere en lege.** Væske som lekker ut kan føre til hudirritasjoner eller forbrenninger.
- e) **Ikke bruk batterier som er skadet eller forandret.** Batterier som er skadet eller forandret kan ha uforutsigbar atferd og føre til brann, eksplosjon eller fare for personskader.
- f) **Batteriet må ikke utsettes for brann eller for høye temperaturer.** Brann eller temperaturer på over 130 °C (265 °F) kan føre til eksplosjon.
- g) **Følg alle anvisningene for lading og lad batteriet eller det batteridrevne verktøyet aldri utenfor temperaturområdet som er angitt i bruksanvisningen.** Feil lading eller lading utenfor det tillatte temperaturområdet kan ødelegge batteriet eller øke faren for brann.

24.7 Service

- a) **Elektroverktøyet skal kun repareres av kvalifisert fagpersonell og kun med original-reservedeler.** På denne måten sikres det, at sikkerheten til elektroverktøyet opprettholdes.
- b) **Skadde batterier skal ikke vedlikeholdes.** Vedlikehold av batteriet skal kun gjøres av produsenten eller autorisert kundeservice.

Obsah

1 Úvod	213	7.3 Mazání pilového řetězu	230
2 Informace k tomuto návodu k použití	213	8 Vsazení a vyjmutí akumulátoru	231
2.1 Platné dokumenty	213	8.1 Vsazení akumulátoru	231
2.2 Označení varovných odkazů v textu	213	8.2 Vyjmutí akumulátoru	231
2.3 Symboly v textu	213	9 Zapnutí a vypnutí zahradní pilky	231
3 Přehled	214	9.1 Zapnutí zahradní pilky	231
3.1 Akumulátorová zahradní pilka, akumulátor a nabíječka	214	9.2 Vypnutí zahradní pilky	231
3.2 Symboly	215	10 Kontrola akumulátorové zahradní pilky a akumulátoru	231
4 Bezpečnostní pokyny	216	10.1 Kontrola řetězky	231
4.1 Varovné symboly	216	10.2 Kontrola vodící lišty	232
4.2 Řádné používání	216	10.3 Kontrola pilového řetězu	232
4.3 Požadavky na uživatele	217	10.4 Kontrola ochranného krytu	233
4.4 Oblečení a vybavení	217	10.5 Kontrola ovládacích prvků	233
4.5 Pracovní pásmo a okolí	218	10.6 Kontrola akumulátoru	233
4.6 Bezpečnosti odpovídající stav	219	11 Práce se zahradní pilkou	234
4.7 Pracovní postup	221	11.1 Jak zahradní pilku držet a vést	234
4.8 Reakční síly	222	11.2 Řezání	234
4.9 Nabíjení	223	12 Po skončení práce	234
4.10 Elektrické připojení	223	12.1 Po skončení práce	234
4.11 Přeprava	224	13 Přeprava	234
4.12 Skladování	225	13.1 Přeprava zahradní pilky	234
4.13 Čištění, údržba a opravy	226	13.2 Přeprava akumulátoru	234
5 Příprava zahradní pilky k práci	227	13.3 Přeprava nabíječky	235
5.1 Příprava zahradní pilky k práci	227	14 Skladování	235
6 Nabíjení akumulátoru a světla LED	227	14.1 Skladování zahradní pilky	235
6.1 Montáž nabíječky na zeď	227	14.2 Skladování akumulátoru	235
6.2 Nabíjení akumulátoru	227	14.3 Skladování nabíječky	235
6.3 Indikace stavu nabití	228	15 Čištění	236
6.4 Světla LED na zahradní pilce	228	15.1 Čištění zahradní pilky	236
6.5 LED na nabíječce	228	15.2 Čištění vodící lišty a pilového řetězu	236
7 Smontování zahradní pilky	229	15.3 Čištění akumulátoru	236
7.1 Demontáž a montáž vodící lišty a pilového řetězu	229	15.4 Čištění nabíječky	236
7.2 Napínání pilového řetězu	230		



Tento návod k použití je chráněn autorským zákonem. Veškerá práva zůstávají vyhrazena, zejména právo reprodukce, překladu a zpracování elektronickými systémy.

16 Údržba	236	25.6 Použití a zacházení s akumulátorovým strojem ...	246
16.1 Ostření pilového řetězu	236	25.7 Servis	247
17 Oprava	237		
17.1 Oprava zahradní pilky, akumulátoru a nabíječky ..	237		
18 Odstranění poruch	238		
18.1 Odstranění poruch na zahradní pilce nebo akumulátoru	238		
18.2 Odstranění poruch nabíječky	239		
19 Technická data	240		
19.1 Zahradní pilka STIHL GTA 26	240		
19.2 Řetězky	240		
19.3 Minimálně dovolená hloubka drážky vodící lišty ..	240		
19.4 Akumulátor STIHL AS	240		
19.5 Nabíječka STIHL AL 1	240		
19.6 Prodlužovací kabely	240		
19.7 Akustické a vibrační hodnoty	240		
19.8 REACH	241		
20 Kombinace vodících lišt a pilových řetězů	242		
20.1 Zahradní pilka STIHL GTA 26	242		
21 Náhradní díly a příslušenství	243		
21.1 Náhradní díly a příslušenství	243		
22 Likvidace	243		
22.1 Likvidace zahradní pilky, akumulátoru a nabíječky	243		
23 Prohlášení o konformitě EU	243		
23.1 Zahradní pilka STIHL GTA 26	243		
23.2 Odkaz na konformitu nabíječky STIHL AL 1	243		
24 Adresy	244		
24.1 Hlavní sídlo firmy STIHL	244		
24.2 Distribuční společnosti STIHL	244		
24.3 Dovozci firmy STIHL	244		
25 Všeobecné bezpečnostní pokyny pro elektrické stroje	244		
25.1 Úvod	244		
25.2 Bezpečnost pracoviště	245		
25.3 Elektrická bezpečnost	245		
25.4 Bezpečnost osob	245		
25.5 Použití a zacházení s elektrickým strojem	246		

1 Úvod

Vážená zákaznice, vážený zákazníku,

těší nás, že jste se rozhodli pro firmu STIHL. Vytváříme a vyrábíme naše výrobky ve špičkové kvalitě odpovídající potřebám našich zákazníků. Tím vznikají výrobky s vysokým stupněm spolehlivosti i při extrémním namáhání.

STIHL je zárukou špičkové kvality také v servisních službách. Náš odborný prodej zajišťuje kompetentní poradenství a instrukce jakož i obsáhlý technický suport.

Děkujeme Vám za Vaši důvěru a přejeme mnoho spokojenosti s Vaším výrobkem STIHL.



Dr. Nikolas Stihl

DŮLEŽITÉ! PŘED POUŽITÍM SI NÁVOD PŘEČÍST A ULOŽIT PRO DALŠÍ POTŘEBU.

2 Informace k tomuto návodu k použití

2.1 Platné dokumenty

Platí lokální bezpečnostní předpisy.

- ▶ Kromě tohoto návodu k použití je třeba si přečíst níže uvedené dokumenty, porozumět jim a uložit je pro pozdější použití:
 - Informace k multifunkčnímu oleji STIHL Multioil Bio: www.stihl.com/safety-data-sheets
 - Bezpečnostní informace pro akumulátory STIHL a výrobky s integrovaným akumulátorem: www.stihl.com/safety-data-sheets

2.2 Označení varovných odkazů v textu



NEBEZPEČÍ

Odkaz upozorňuje na nebezpečí, která vedou k těžkým úrazům či úmrtí.

- ▶ Uvedená opatření mohou zabránit těžkým úrazům či úmrtí.



VAROVÁNÍ

Odkaz upozorňuje na nebezpečí, která **mohou** vést k těžkým úrazům či úmrtí.

- ▶ Uvedená opatření mohou zabránit těžkým úrazům či úmrtí.

UPOZORNĚNÍ

Odkaz upozorňuje na nebezpečí, která mohou vést k věcným škodám.

- ▶ Uvedená opatření mohou zabránit věcným škodám.

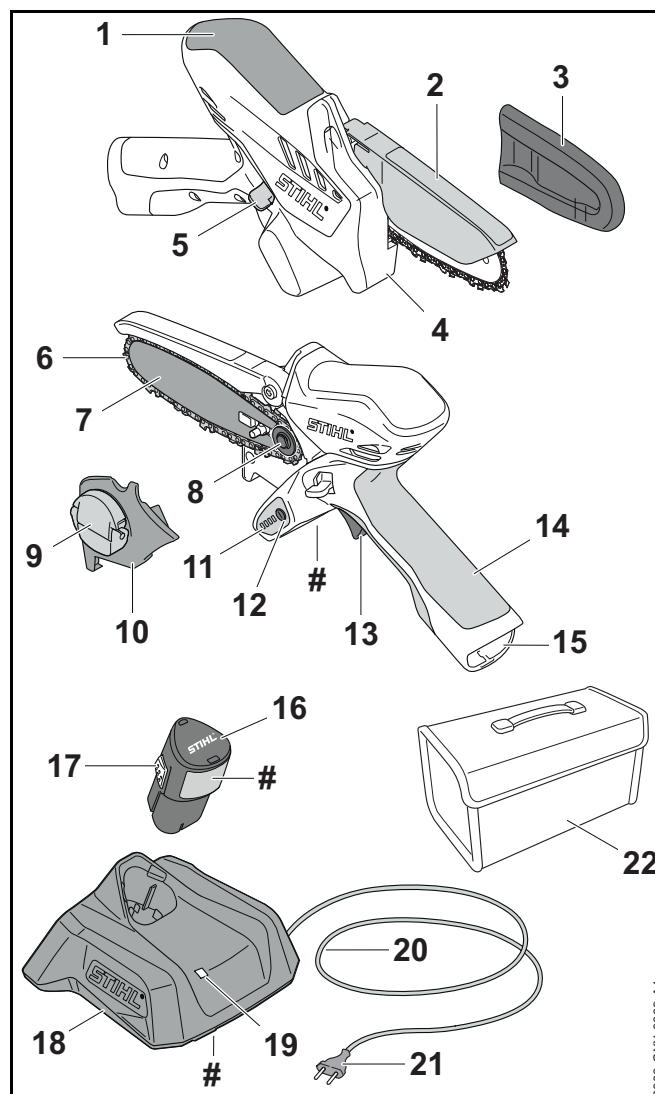
2.3 Symboly v textu



Tento symbol odkazuje na kapitolu v tomto návodu k použití.

3 Přehled

3.1 Akumulátorová zahradní pilka, akumulátor a nabíječka



1 Hmatec

Hmatec slouží pro držení a vedení zahradní pilky.

2 Ochranný kryt

Ochranný kryt chrání před kontaktem s pilovým řetězem.

3 Ochranný kryt řetězu

Ochranný kryt řetězu chrání před kontaktem s pilovým řetězem.

4 Doraz

Doraz opírá zahradní pilku během práce o dřevo.

5 Aretační páčka

Aretační páčka deblokuje spínač.

6 Pilový řetěz

Pilový řetěz řeže dřevo.

7 Vodicí lišta

Vodicí lišta vede pilový řetěz.

8 Řetězka

Řetězka pohání pilový řetěz.

9 Křídlatá matice

Křídlatá matice upevňuje víko řetězky na zahradní pilku.

10 Víko řetězky

Víko řetězky zakrývá řetězku a připevňuje vodicí lištu na zahradní pilku.

11 Světla LED

Světla LED signalizují stav nabití akumulátoru a poruchy.

12 Tlačítko

Tlačítko aktivuje světla LED na zahradní pilce.

13 Spínač

Spínač zahradní pilku zapíná a vypíná.

14 Ovládací rukojeť

Ovládací rukojeť slouží k ovládnání, držení a vedení zahradní pilky.

15 Akumulátorová šachta

Do akumulátorové šachty se vsunuje akumulátor.

16 Akumulátor

Akumulátor napájí zahradní pilku energií.

17 Zarážková pojistka

Zarážková pojistka udržuje akumulátor v akumulátorové šachtě.

18 Nabíječka

Nabíječka nabíjí akumulátor.

19 LED

LED signalizuje stav nabíječky.

20 Připojovací kabel

Připojovací kabel spojuje nabíječku s elektrickou vidlicí.

21 Elektrická vidlice

Elektrická vidlice spojuje připojovací kabel se zásuvkou.

22 Brašna

Brašna slouží k přepravě a skladování zahradní pilky, akumulátoru a nabíječky. Brašna je součástí pouze celé sady (sestavující ze zahradní pilky, akumulátoru a nabíječky).

Výkonový štítek s výrobním číslem**3.2 Symboly**

Na zahradní pilce, akumulátoru a nabíječce se mohou nacházet symboly a ty mají následující význam:



Tento symbol udává směr běhu pilového řetězu.



LED svítí nebo bliká zeleně. Akumulátor se nabíjí.



LED bliká červeně. Mezi akumulátorem a nabíječkou není žádný elektrický kontakt nebo je porucha v akumulátoru či v nabíječce.



Délka vodicí lišty, která smí být použita.



Zaručená hladina akustického výkonu podle směrnice 2000/14/ES v dB(A) za účelem porovnatelnosti akustických emisí výrobků.



Údaj vedle symbolu odkazuje na obsah energie akumulátoru podle specifikace výrobce článků. Obsah energie, který je k dispozici při použití, je menší.



Elektrovýrobek provozujte v uzavřeném a suchém prostoru.



Výrobek nelikvidujte s domácím odpadem.



Návod k použití je třeba si přečíst, porozumět mu a uložit ho pro další potřebu.

4 Bezpečnostní pokyny

4.1 Varovné symboly

Na zahradní pilce, akumulátoru nebo nabíječce se mohou nacházet varovné symboly a ty mají následující význam:



Dbejte na bezpečnostní pokyny a jejich opatření.



Návod k použití je třeba si přečíst, porozumět mu a uložit ho pro další potřebu.



Noste ochranné brýle.



Zahradní pilku držte pevně oběma rukama.



Nedotýkejte se obíhajícího pilového řetězu.



Akumulátor během přerušení práce, přepravy, skladování, údržby nebo opravy vždy vyjměte.



Zahradní pilku a nabíječku chraňte před deštěm a vlhkem.



Akumulátor chraňte před horkem a ohněm.



Akumulátor chraňte před deštěm a vlhkem a neponořujte ho do kapalin.

4.2 Řádné používání

Zahradní pilka STHL GTA 26 slouží k řezání dřeva.

Zahradní pilka se nesmí používat za deště.

Akumulátor STIHL AS napájí zahradní pilku energií.

Nabíječka STIHL AL 1 nabíjí akumulátor STIHL AS.

VAROVÁNÍ

- Akumulátory a nabíječky, které nejsou firmou STIHL pro zahradní pilku povoleny, mohou způsobit požáry a exploze. Může tím dojít k těžkým úrazům či úmrtí osob a ke vzniku věcných škod.
 - ▶ Zahradní pilku používejte s akumulátorem STIHL AS.
 - ▶ Akumulátor STIHL AS nabíjejte nabíječkou STIHL AL 1.

- Pokud zahradní pilka, akumulátor nebo nabíječka nejsou používány způsobem, který odpovídá jejich účelu, může dojít k těžkým úrazům či úmrtí osob a mohou vzniknout věcné škody.
 - ▶ Zahradní pilku, akumulátor a nabíječku používejte tak, jak je to popsáno v tomto návodu k použití.

4.3 Požadavky na uživatele

⚠ VAROVÁNÍ

- Uživatelé bez instruktáže nemohou rozpoznat nebo dobře odhadnout nebezpečí hrozící zahradní pilkou, akumulátorem a nabíječkou. Uživatel nebo jiné osoby mohou utrpět těžká nebo smrtelná zranění.



- ▶ Tento návod k použití je třeba si přečíst, porozumět mu a uložit ho pro další potřebu.

- ▶ Pokud se zahradní pilka, akumulátor nebo nabíječka předávají jiné osobě: předejte jí i návod k použití.
- ▶ Zajistěte, aby uživatel splňoval níže uvedené požadavky:
 - Uživatel je odpočatý.
 - Uživatel je tělesně, sensoricky a duševně schopen zahradní pilku, akumulátor a nabíječku obsluhovat a pracovat s nimi. Pokud je uživatel tělesně, sensoricky a duševně způsobilý pouze částečně, smí s

výrobkem pracovat pouze pod dohledem nebo po zaškolení odpovědnou osobou.

- Uživatel nemůže rozpoznat a dobře odhadnout nebezpečí hrozící zahradní pilkou, akumulátorem a nabíječkou.
 - Uživatel je plnoletý nebo bude podle národních předpisů pod dohledem zaškolen pro výkon povolání.
 - Uživatel obdržel instruktáž od odborného prodejce výrobků STIHL nebo od osoby znalé odborné tematiky ještě dříve, než začne se zahradní pilkou poprvé pracovat a používat nabíječku.
 - Uživatel není pod vlivem alkoholu, léků nebo drog.
- ▶ V případě nejasností: vyhledejte odborného prodejce výrobků STIHL.

4.4 Oblečení a vybavení

⚠ VAROVÁNÍ

- Během práce mohou být dlouhé vlasy vtaženy do zahradní pilky. Uživatel tím může utrpět těžké zranění.
 - ▶ Dlouhé vlasy svažte a zajistěte tak, aby se nacházely nad rameny.
- Během práce mohou být předměty vymrštěny velkou rychlostí nahoru. Uživatel se může zranit.



- ▶ Noste těsně přiléhající ochranné brýle. Vhodné ochranné brýle byly přezkoušeny podle normy EN 166 nebo podle národních předpisů a na trhu jsou k dostání s patřičným označením.

- ▶ Noste dlouhé kalhoty.

- Shora padající předměty mohou vést ke zranění hlavy.
 - ▶ Pokud během práce mohou shora padat předměty, noste ochrannou přilbu.
- Během práce může dojít k rozvíření prachu. Vdechovaný prach může poškodit zdraví a vyvolat alergické reakce.
 - ▶ Pokud bude rozvířen prach a vznikne prашná mlha: noste ochrannou protiprachovou masku.
- Nevhodné oblečení se může zachytit v dřevnatém porostu, houšti a v zahradní pilce. Uživatelé bez vhodného oděvu mohou utrpět těžká zranění.
 - ▶ Noste těsně přiléhající oděv.
 - ▶ Šály a ozdoby odložte.
- Během práce se může uživatel pořezat o dřevo. Během čištění či údržby se může uživatel dostat do kontaktu s pilovým řetězem. Uživatel se může zranit.
 - ▶ Noste pracovní rukavice z odolného materiálu.
- Pokud nosí uživatel nevhodnou obuv, může uklouznout. Uživatel se může zranit.
 - ▶ Noste pevnou uzavřenou obuv s hrubou podrážkou.

4.5 Pracovní pásmo a okolí

4.5.1 Zahradní pilka

VAROVÁNÍ

- Nezúčastněné osoby, děti a zvířata nemohou rozpoznat ani odhadnout nebezpečí hrozící zahradní pilkou a předměty vymrštěnými do výšky. Nezúčastněné osoby, děti a zvířata mohou utrpět těžká zranění a může dojít k věcným škodám.
 - ▶ Nezúčastněné osoby, děti a zvířata nepouštějte do pracovního pásma.
 - ▶ Zahradní pilku nenechávejte bez dozoru.
 - ▶ Zajistěte, aby si děti nemohly se zahradní pilkou hrát.
- Zahradní pilka není chráněná proti vodě. Pokud by se pracovalo v dešti nebo ve vlhkém prostředí, může dojít k úrazu elektrickým proudem. Uživatel může být zraněn a zahradní pilka může být poškozena.



- ▶ Nikdy nepracujte v dešti ani ve vlhkém okolí.

- Elektrické součástky zahradní pilky mohou vytvářet jiskry. Jiskry mohou ve snadno hořlavém nebo explozivním okolí vyvolat požáry nebo exploze. Může tím dojít k těžkým úrazům či úmrtí osob a ke vzniku věcných škod.
 - ▶ Nikdy nepracujte ve snadno hořlavém nebo explozivním okolí.

4.5.2 Akumulátor

VAROVÁNÍ

- Nezúčastněné osoby, děti a zvířata nemohou rozpoznat ani odhadnout nebezpečí akumulátoru. Nezúčastněné osoby, děti a zvířata mohou být těžce zraněny.
 - ▶ Nezúčastněné osoby, děti a zvířata nepouštějte do blízkosti stroje.
 - ▶ Akumulátor nenechávejte bez dozoru.
 - ▶ Zajistěte, aby si děti nemohly s akumulátorem hrát.
- Akumulátor není chráněn proti všem okolním vlivům. Pokud je akumulátor vystaven určitým okolním vlivům, může začít hořet nebo explodovat. Může dojít k těžkým úrazům osob a ke vzniku věcných škod.



- ▶ Akumulátor chraňte před horkem a otevřeným ohněm.
- ▶ Akumulátor neházejte do ohně.

- ▶ Akumulátor používejte a skladujte v tepelném pásmu mezi $-20\text{ }^{\circ}\text{C}$ a $+50\text{ }^{\circ}\text{C}$.



- ▶ Akumulátor chraňte před deštěm a vlhkem a neponořujte ho do kapalin.

- ▶ Akumulátor nepřibližujte ke kovovým předmětům.
- ▶ Akumulátor nevystavujte vysokému tlaku.

- ▶ Akumulátor nevystavujte mikrovlnám.
- ▶ Akumulátor chraňte před chemikáliemi a solemi.

4.5.3 Nabíječka

⚠ VAROVÁNÍ

- Nezúčastněné osoby, děti nemohou rozpoznat ani odhadnout nebezpečí nabíječky a elektrického proudu. Nezúčastněné osoby, děti a zvířata mohou být těžce zraněny nebo usmrceny.
 - ▶ Nezúčastněné osoby, děti a zvířata nepouštějte do blízkosti stroje.
- ▶ Zajistěte, aby si děti nemohly s nabíječkou hrát.
- Nabíječka není chráněna proti vodě. Pokud by se pracovalo v dešti nebo ve vlhkém prostředí, může dojít k úrazu elektrickým proudem. Uživatel může být zraněn a nabíječka se může poškodit.



- ▶ Nikdy nepracujte v dešti ani ve vlhkém prostředí.

- Nabíječka není chráněna před všemi okolními vlivy. Pokud je nabíječka vystavena určitým okolním vlivům, může začít hořet nebo explodovat. Může dojít k těžkým úrazům osob a ke vzniku věčných škod.
 - ▶ Nabíječku skladujte v uzavřeném a suchém prostoru.
 - ▶ Nabíječku nikdy nepoužívejte ve snadno hořlavém a explozivním prostředí.
 - ▶ Nabíječku nikdy nepoužívejte na snadno hořlavém podkladu.
 - ▶ Nabíječku používejte a skladujte v tepelném pásmu mezi -20 °C a 50 °C .
- Osoby mohou zakopnout o připojovací kabel. Mohlo by dojít k poranění osob a poškození nabíječky.
 - ▶ Připojovací kabel uložte ploše na zem.

4.6 Bezpečnosti odpovídající stav

4.6.1 Zahradní pilka

Zahradní pilka je ve stavu odpovídajícím bezpečnosti, když jsou splněny níže uvedené podmínky:

- Zahradní pilka není poškozená.
- Zahradní pilka je čistá a suchá.
- Ochranný kryt je namontován.
- Ochranný kryt není poškozen ani pozměněn.
- Ovládací prvky fungují a nejsou změněny.
- Pilový řetěz je namazán.
- Vybíhané stopy na řetězce nejsou hlubší než 0,5 mm.
- Na stroji je namontovaná jedna kombinace uvedená v tomto návodu k použití sestávající z vodící lišty a pilového řetězu.
- Vodící lišta a pilový řetěz jsou správně namontovány.
- Pilový řetěz je správně napnutý.
- Je namontováno pouze originální příslušenství STIHL určené pro tuto zahradní pilku.
- Příslušenství je správně namontováno.


⚠ VAROVÁNÍ

- Ve stavu neodpovídajícím bezpečnosti nemohou konstrukční díly již bezpečně fungovat a bezpečnostní zařízení mohou být vyřazena z provozu. Může dojít k těžkým úrazům nebo usmrcení osob.
 - ▶ Pracujte s nepoškozenou zahradní pilkou.
 - ▶ Pokud je zahradní pilka znečištěná nebo mokrá: zahradní pilku vyčistěte a nechte uschnout.
 - ▶ Zahradní pilku neměňte. Výjimka: Montáž jedné kombinace uvedené v tomto návodu k použití sestávající z vodící lišty a pilového řetězu.
 - ▶ Zahradní pilku používejte jenom s namontovaným ochranným krytem.

- ▶ Pokud je ochranný kryt poškozen nebo pozměněn: se zahradní pilkou nepracujte.
- ▶ Pokud ovládací prvky nefungují: se zahradní pilkou nepracujte.
- ▶ Montujte pouze originální příslušenství STIHL určené pro tuto zahradní pilku.
- ▶ Vodicí lištu a pilový řetěz namontujte tak, jak je to popsáno v tomto návodu k použití.
- ▶ Příslušenství namontujte tak, jak je to popsáno v tomto návodu k použití nebo v návodu k použití daného příslušenství.
- ▶ Do otvorů zahradní pilky nestrkejte žádné předměty.
- ▶ Opotřebované nebo poškozené informační štítky vyměňte.
- ▶ V případě nejasností: vyhledejte odborného prodejce výrobků STIHL.

4.6.2 Vodicí lišta

Vodicí lišta je ve stavu odpovídajícím bezpečnosti, když jsou splněny níže uvedené podmínky:

- Vodicí lišta není poškozená.
- Vodicí lišta není deformovaná.
- Drážka je hluboká jako minimální povolená hloubka drážky nebo hlubší,  19.3.
- Drážka není ani zúžená, ani roztažená.

VAROVÁNÍ

- Ve stavu neodpovídajícím bezpečnosti nemůže již vodicí lišta pilový řetěz správně vést. Obíhající pilový řetěz může z vodicí lišty spadnout. Může dojít k těžkým úrazům nebo usmrcení osob.
 - ▶ Pracujte s nepoškozenou motorovou pilou.
 - ▶ Pokud je hloubka drážky menší než minimální povolená hloubka drážky: vodicí lištu vyměňte.
 - ▶ V případě nejasností: vyhledejte odborného prodejce výrobků STIHL.

4.6.3 Pilový řetěz

Pilový řetěz je v bezpečnosti odpovídajícím stavu, když jsou splněny níže uvedené podmínky:

- Pilový řetěz není poškozený.
- Pilový řetěz je správně naostřen.
- Značky opotřebení na řezných zubech jsou viditelné.

VAROVÁNÍ

- V bezpečnosti neodpovídajícím stavu nemohou konstrukční díly již bezpečně fungovat a bezpečnostní zařízení mohou být vyřazena z provozu. Může dojít k těžkým úrazům nebo usmrcení osob.
 - ▶ Pracovat s nepoškozeným pilovým řetězem.
 - ▶ Správně naostřit pilový řetěz.
 - ▶ V případě nejasností vyhledat odborného prodejce výrobků STIHL.

4.6.4 Akumulátor

Akumulátor je ve stavu odpovídajícím bezpečnostním požadavkům, pokud jsou splněny následující podmínky:

- Akumulátor je nepoškozený.
- Akumulátor je čistý a suchý.
- Akumulátor je funkční a nebyl pozměněn.

VAROVÁNÍ

- Pokud není akumulátor ve stavu odpovídajícím bezpečnostním požadavkům, nelze zajistit jeho bezpečnou funkci. Tento stav může způsobit těžké zranění osob.
 - ▶ Pracujte pouze s nepoškozeným a funkčním akumulátorem.
 - ▶ Poškozený nebo vadný akumulátor nenabíjejte.
 - ▶ V případě, že je akumulátor znečištěný nebo mokrý: Akumulátor očistěte a nechte uschnout.
 - ▶ Akumulátor nepozměňujte.

- ▶ Nezasouvejte žádné předměty do otvorů akumulátoru.
- ▶ Elektrické kontakty akumulátoru nespojujte kovovými předměty a nezkratujte.
- ▶ Akumulátor neotevírejte.
- ▶ Opatřebované nebo poškozené štítky s bezpečnostními upozorněními vždy vyměňte.
- Z poškozeného akumulátoru může vytékat kapalina. V případě, že se tato kapalina dostane do styku s pokožkou nebo očima, může dojít k podráždění pokožky nebo očí.
 - ▶ Vyhýbejte se kontaktu s kapalinou.
 - ▶ V případě, že dojde k zasažení pokožky: Postižená místa pokožky umyjte vydatným množstvím vody a mýdlem.
 - ▶ V případě, že dojde k zasažení očí: Zasažené oči vyplachujte nejméně po dobu 15 minut vydatným množstvím vody a vyhledejte lékaře.
- Poškozený nebo vadný akumulátor může nezvykle zapáchat, kouřit nebo hořet. Následkem toho může dojít k těžkému nebo smrtelnému zranění osob a ke vzniku věcných škod.
 - ▶ V případě, že z akumulátoru vychází nezvyklý zápach nebo kouř: Akumulátor nepoužívejte a umístěte jej v bezpečné vzdálenosti od hořlavých látek.
 - ▶ V případě, že akumulátor vzplane: Pokuste se hořící akumulátor uhasit pomocí hasicího přístroje nebo vody.

4.6.5 Nabíječka

Nabíječka je ve stavu odpovídajícím bezpečnosti, když jsou splněny níže uvedené podmínky:

- Nabíječka není poškozená.
- Nabíječka je čistá a suchá.

⚠ VAROVÁNÍ

- Ve stavu neodpovídajícím bezpečnostním požadavkům nemohou konstrukční díly již bezpečně fungovat a bezpečnostní zařízení mohou být vyřazena z provozu. Může dojít k těžkým úrazům nebo usmrcení osob.
 - ▶ Používejte nepoškozenou nabíječku.
 - ▶ Pokud je nabíječka znečištěná nebo mokrá: nabíječku vyčistěte a nechejte uschnout.
 - ▶ Nabíječku nepozměňujte.
 - ▶ Do otvorů nabíječky nestrkejte žádné předměty.
 - ▶ Elektrické kontakty nabíječky nespojujte a nezkratujte kovovými předměty.
 - ▶ Nabíječku nikdy neotvírejte.

4.7 Pracovní postup

⚠ VAROVÁNÍ

- Pokud se v okolí pracovní oblasti nezdržují žádné osoby, které by slyšely volání, nemůže být v nouzovém případě poskytnuta žádná pomoc.
 - ▶ Zajistěte, aby se v doslechové vzdálenosti pracovní oblasti zdržovaly osoby.
- Uživatel již nemůže za určitých situací koncentrovaně pracovat. Uživatel může ztratit kontrolu nad zahradní pilkou, zakopnout, upadnout a těžce se zranit.
 - ▶ Pracujte klidně a s rozvahou.
 - ▶ Pokud jsou světelné poměry a viditelnost špatné: se zahradní pilkou nepracujte.
 - ▶ Zahradní pilku obsluhujte sám/sama.
 - ▶ Nikdy se strojem nepracujte nad výší ramen.
 - ▶ Dávejte pozor na překážky.
 - ▶ Při práci stůjte na zemi a udržujte rovnováhu. Pokud je nutné pracovat ve výškách: používejte vysokozdvížnou pracovní plošinu nebo bezpečné lešení.
 - ▶ Pokud se dostaví známky únavy: udělejte si pracovní přestávku.

- Běžící pilový řetěz může uživatele pořezat. Uživatel může utrpět těžká zranění.
 - ▶ Běžícího pilového řetězu se nedotýkejte.
 - ▶ Pokud je pilový řetěz nějakým předmětem zablokovaný: zahradní pilku vypněte a akumulátor vyjměte. Teprve potom předmět odstraňte.
- Obíhající pilový řetěz se zahřívá a protahuje. Pokud pilový řetěz není dostatečně mazán a dodatečně napínán, může z vodicí lišty spadnout nebo se přetrhnout. Může dojít k těžkým úrazům osob a ke vzniku věcných škod.
 - ▶ Používejte multifunkční olej STIHL Multioil Bio nebo porovnatelný biologicky odbouratelný multifunkční olej.
 - ▶ Během práce po každém nabití akumulátoru pilový řetěz namažte.
 - ▶ Během práce pravidelně kontrolujte napnutí pilového řetězu. Pokud je napnutí řetězu příliš slabé: pilový řetěz napněte.
- Během práce se mohou vodicí lišta, pilový řetěz a řetězka velmi zahřát. Uživatel se může popálit.
 - ▶ Žhavého pilového řetězu, žhavé vodicí lišty a žhavé řetězky se nedotýkejte.
 - ▶ Počkejte, až vodicí lišta, pilový řetěz a řetězka vychladnou.
 - ▶ Noste pracovní rukavice z odolného materiálu.
- Pokud se zahradní pilka během práce změní nebo se chová nezvyklým způsobem, může být v provozně nebezpečném stavu. Může dojít k těžkým úrazům osob a ke vzniku věcných škod.
 - ▶ Práci ukončete, akumulátor vyjměte a vyhledejte odborného prodejce výrobků STIHL.
- Během práce může zahradní pilka způsobit vznik vibrací.
 - ▶ Noste rukavice.
 - ▶ Práci přerušujte přestávkami.
 - ▶ Pokud se vyskytnou náznaky poruch prokrvení: vyhledejte lékaře.

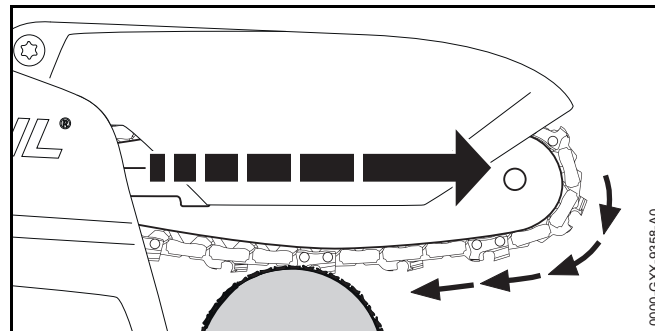
- Pokud běžící pilový řetěz narazí na tvrdý předmět, může dojít ke vzniku jisker. Jiskry mohou ve snadno vznětlivém prostředí vyvolat požáry. Může tím dojít k těžkým úrazům či úmrtí osob a ke vzniku věcných škod.
 - ▶ Nikdy nepracujte ve snadno vznětlivém prostředí.
- Když se spínač pustí, běží pilový řetěz ještě krátce dál. Pohybující se pilový řetěz může někoho pořezat. Osoby mohou utrpět těžká zranění.
 - ▶ Počkejte, až se pilový řetěz zastaví.

⚠ NEBEZPEČÍ

- Pokud se pracuje v okolí kabelů vedoucích elektrický proud, může s nimi pilový řetěz přijít do kontaktu a poškodit je. Uživatel může utrpět těžké nebo smrtelné zranění.
 - ▶ Nepracujte v okolí kabelů vedoucích elektrický proud.

4.8 Reakční síly

4.8.1 Reakční síly



Pokud se pracuje se spodní větví vodicí lišty, je zahradní pilka tažena pryč od uživatele.

⚠ VAROVÁNÍ

- Pokud běžící pilový řetěz narazí na tvrdý předmět a rychle se zbrzdí, může být zahradní pilka náhle velmi silně odtažena pryč od uživatele. Může dojít k úrazu osob.
 - ▶ Zahradní pilku držte pevně oběma rukama.
 - ▶ Pracujte tak, jak je to popsáno v tomto návodu k použití.
 - ▶ Pracujte s namontovaným ochranným krytem.
 - ▶ Pracujte s nepoškozeným a nezměněným ochranným krytem.
 - ▶ Pracujte se správně naostřeným a správně napnutým pilovým řetězem.
 - ▶ Vodicí lištu ved'te rovně v řezu.
 - ▶ Ozubený doraz správně nasad'te.
 - ▶ Pracujte s plným plynem.

4.9 Nabíjení

⚠ VAROVÁNÍ

- Během nabíjení může být poškozená nebo defektní nabíječka nezvykle cítit nebo kouřit. Může dojít k úrazům osob a ke vzniku věcných škod.
 - ▶ Elektrickou vidlici vytáhněte ze zásuvky.
- Nabíječka se může při nedostatečném odvodu teploty přehřát a způsobit požár. Může tím dojít k těžkým úrazům či úmrtí osob a ke vzniku věcných škod.
 - ▶ Nabíječku ničím nezakrývat.

4.10 Elektrické připojení

Kontakt s konstrukčními díly vedoucími elektrický proud může být způsoben níže uvedenými příčinami:

- Připojovací kabel nebo prodlužovací kabel je poškozen.
- Elektrická vidlice připojovacího kabelu nebo prodlužovacího kabelu je poškozená.
- Zásuvka není správně nainstalovaná.

⚠ NEBEZPEČÍ

- Kontakt s konstrukčními díly vedoucími elektrický proud může způsobit úraz elektrickým proudem. Uživatel může utrpět těžké nebo smrtelné zranění.
 - ▶ Zajistěte, aby připojovací kabel, prodlužovací kabel a jejich elektrické vidlice nebyly poškozeny.



Pokud je připojovací kabel nebo prodlužovací kabel poškozen:

- ▶ Poškozeného místa se nedotýkejte.
- ▶ Vytáhněte elektrickou vidlici ze zásuvky.
- ▶ Připojovacího kabelu, prodlužovacího kabelu a jejich elektrických vidlic se dotýkejte pouze suchýma rukama.
- ▶ Elektrickou vidlici připojovacího kabelu nebo prodlužovacího kabelu zasuňte do správně nainstalované a zajištěné zásuvky s ochranným kontaktem.
- ▶ Nabíječku připojte přes ochranný spínač (30 mA, 30 ms).
- Poškozený nebo nevhodný prodlužovací kabel může vést k elektrické ráně. Může dojít k těžkým úrazům nebo usmrcení osob.
 - ▶ Použijte prodlužovací kabel se správným kabelovým průřezem, 19.6.

⚠ VAROVÁNÍ

- Během nabíjení může nesprávné síťové napětí nebo nesprávná síťová frekvence vést k přepětí v nabíječce. Nabíječka může být poškozena.
 - ▶ Zajistěte, aby síťové napětí a síťová frekvence elektrické sítě souhlasily s údaji na výkonovém štítku nabíječky.
- Nesprávně vedený připojovací kabel a prodlužovací kabel může být poškozen a osoby o něj mohou zakopnout. Osoby mohou být zraněny a připojovací nebo prodlužovací kabel může být poškozen.
 - ▶ Připojovací kabel a prodlužovací kabel uložte, vedte a označte tak, aby o něj osoby nemohly zakopnout.
 - ▶ Připojovací kabel a prodlužovací kabel vedte tak, aby nebyly napnuté nebo smotané.
 - ▶ Připojovací kabel a prodlužovací kabel vedte tak, aby nemohly být poškozeny, zlomeny, skřípnuty a neodíraly se.
 - ▶ Připojovací kabel a prodlužovací kabel chraňte před horkem, olejem a chemikáliemi.
 - ▶ Připojovací kabel a prodlužovací kabel vedte po suchém podkladu.
- Během práce se prodlužovací kabel zahřívá. Pokud teplo nemůže odcházet, může způsobit požár.
 - ▶ Pokud se používá kabelový buben: kabelový buben kompletně odviňte.
- Pokud jsou zdi vedeny elektrické kabely a trubky, může dojít při montáži nabíječky na zeď k jejich poškození. Kontakt s kabely vedoucími elektrický proud může vést k elektrické ráně. Může dojít k těžkým úrazům osob a ke vzniku věcných škod.
 - ▶ Zajistěte, aby na plánovaném místě nebyly ve zdi vedeny žádné elektrické kabely a trubky.
- Pokud by nabíječka nebyla na zeď namontována tak, jak je to popsáno v tomto návodu k použití, může nabíječka nebo akumulátor spadnout dolů nebo se může nabíječka přespříliš zahřát. Může dojít k úrazům osob a ke vzniku věcných škod.
 - ▶ Nabíječku namontujte na zeď tak, jak je to popsáno v tomto návodu k použití.
- Pokud je nabíječka se vsazeným akumulátorem montována na zeď, může akumulátor z nabíječky vypadnout. Může dojít k úrazům osob a ke vzniku věcných škod.
 - ▶ Nejdříve na zeď připevněte nabíječku a pak vsadte akumulátor.

4.11 Přeprava

4.11.1 Zahradní pilka

⚠ VAROVÁNÍ

- Během přepravy se může akumulátor převrátit nebo pohnout. Může dojít k úrazům osob a ke vzniku věcných škod.



- ▶ Vyjměte akumulátor.

- ▶ Nasuňte ochranný kryt řetězu na vodící lištu tak, aby byla celá vodící lišta zakrytá.

- ▶ Zahradní pilku přepravujte v brašně, která je součástí dodávky.
- ▶ Pokud v rozsahu dodávky není žádná brašna, zahradní pilku zajistěte upínacími popruhy, řemenem nebo sítkou tak, aby se nemohla převrátit ani pohnout.

4.11.2 Akumulátor

⚠ VAROVÁNÍ

- Akumulátor není chráněn proti všem okolním vlivům. Pokud je akumulátor vystaven určitým okolním vlivům, může být poškozen a může dojít ke vzniku věcných škod.
 - ▶ Poškozený akumulátor nepřepravujte.
 - ▶ Nabíječku přepravujte v brašně, která je součástí dodávky.
 - ▶ Pokud součástí dodávky není žádná brašna: akumulátor přepravujte pouze v elektricky nevodivém balení.
- Během přepravy se může akumulátor převrátit nebo pohnout. Může dojít k úrazům osob a ke vzniku věcných škod.
 - ▶ Akumulátor v balení zabalte tak, aby se nemohl pohybovat.
 - ▶ Balení zajistěte tak, aby se nemohlo pohybovat.

4.11.3 Nabíječka

⚠ VAROVÁNÍ

- Během přepravy se může nabíječka převrátit nebo pohnout. Může dojít k úrazům osob a ke vzniku věcných škod.
 - ▶ Vytáhněte elektrickou vidlici ze zásuvky.
 - ▶ Vyjměte akumulátor.
 - ▶ Nabíječku přepravujte v brašně, která je součástí dodávky.
 - ▶ Pokud v rozsahu dodávky není žádná brašna, nabíječku zajistěte upínacími popruhy, řemenem nebo sítkou tak, aby se nemohla převrátit ani pohnout.

- Připojovací kabel není určen k tomu, aby se za něj nabíječka nosila. Připojovací kabel a nabíječka tím mohou být poškozeny.
 - ▶ Připojovací kabel sviňte a připevněte na nabíječku.

4.12 Skladování

4.12.1 Zahradní pilka

⚠ VAROVÁNÍ

- Děti nemohou rozpoznat ani odhadnout nebezpečí hrozící zahradní pilkou. Děti mohou utrpět těžké úrazy.



- ▶ Vyjměte akumulátor.

- ▶ Nasuňte ochranný kryt řetězu na vodící lištu tak, aby byla celá vodící lišta zakrytá.

- ▶ Zahradní pilku skladujte mimo dosah dětí.

- Elektrické kontakty na zahradní pilce a kovové konstrukční díly mohou pod vlivem vlhka zkorodovat. Zahradní pilka se může poškodit.



- ▶ Vyjměte akumulátor.

- ▶ Zahradní pilku skladujte v čistém a suchém stavu.

4.12.2 Akumulátor

⚠ VAROVÁNÍ

- Děti nemohou rozpoznat ani odhadnout nebezpečí hrozící akumulátorem. Děti mohou utrpět těžké úrazy.
 - ▶ Akumulátor skladujte mimo dosah dětí.
- Akumulátor není chráněn proti všem okolním vlivům. Pokud je akumulátor vystaven určitým okolním vlivům, může dojít k jeho poškození.
 - ▶ Akumulátor skladujte v čistém a suchém stavu.
 - ▶ Akumulátor skladujte v uzavřeném prostoru.
 - ▶ Akumulátor skladujte odděleně od zahradní pilky a nabíječky.
 - ▶ Akumulátor skladujte pouze v elektricky nevodivém balení.
 - ▶ Akumulátor skladujte v tepelném pásmu mezi -20 °C a $+70\text{ °C}$.

4.12.3 Nabíječka

⚠ VAROVÁNÍ

- Děti nemohou rozpoznat ani odhadnout nebezpečí hrozící nabíječkou. Může dojít k těžkým úrazům nebo usmrcení dětí.
 - ▶ Vyjměte akumulátor.
 - ▶ Nabíječku skladujte mimo dosah dětí.
- Nabíječka není chráněna před všemi okolními vlivy. Pokud je nabíječka vystavena určitým okolním vlivům, může dojít k poškození nabíječky.
 - ▶ Vyjměte akumulátor.
 - ▶ Pokud je nabíječka příliš zahřátá: nechte ji vychladnout.
 - ▶ Nabíječku skladujte v čistém a suchém stavu.
 - ▶ Nabíječku skladujte v uzavřeném prostoru.
 - ▶ Nabíječku skladujte v tepelném pásmu mezi -20 °C a 70 °C .

- Připojovací kabel není určen k tomu, aby se za něj nabíječka nosila či zavěšovala. Připojovací kabel a nabíječka tím mohou být poškozeny.
 - ▶ Nabíječku uchopujte a držte za těleso. K usnadnění nadzdvíhnutí nabíječky je na zadní straně nabíječky umístěna hmatová miska.
 - ▶ Nabíječku zavěste na závěsný držák na zdi.

4.13 Čištění, údržba a opravy

⚠ VAROVÁNÍ

- Pokud je akumulátor během čištění, údržby nebo opravy vsazen, může dojít k nechtěnému zapnutí zahradní pilky. Může dojít k těžkým úrazům osob a ke vzniku věcných škod.



- ▶ Vyjměte akumulátor.

- Agresivní čisticí prostředky, čištění pomocí vodního proudu nebo špičaté předměty mohou zahradní pilku, vodící lištu, pilový řetěz, akumulátor a nabíječku poškodit. Pokud se zahradní pilka, vodící lišta, pilový řetěz, akumulátor nebo nabíječka nečistí správně, nemohou konstrukční díly správně fungovat a bezpečnostní zařízení mohou být vyřazena z provozu. Osoby mohou utrpět těžká zranění.
 - ▶ Zahradní pilku, vodící lištu, pilový řetěz, akumulátor a nabíječku čistěte tak, jak je popsáno v tomto návodu k použití.
- Pokud se zahradní pilka, vodící lišta, pilový řetěz, akumulátor nebo nabíječka neudržují či neopravují správně, nemohou konstrukční díly správně fungovat a bezpečnostní zařízení mohou být vyřazena z provozu. Může dojít k těžkým úrazům nebo usmrcení osob.
 - ▶ Zahradní pilku, akumulátor a nabíječku nikdy sám/sama neopravujte ani neprovádějte údržbu.
 - ▶ Pokud musejí být zahradní pilka, akumulátor nebo nabíječka podrobeny údržbě nebo opravě: vyhledejte odborného prodejce výrobků STIHL.

- ▶ Na vodící liště a pilovém řetězu provádějte údržbářské úkony a opravy tak, jak je to popsáno v tomto návodu k použití.
- Během čištění nebo údržby pilového řetězu se může uživatel porazit o ostré řezné zuby. Uživatel může být zraněn.
 - ▶ Noste pracovní rukavice z odolného materiálu.

5 Příprava zahradní pilky k práci

5.1 Příprava zahradní pilky k práci

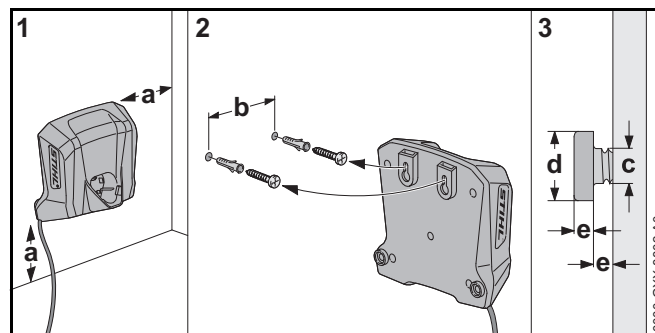
Před každým započatím práce se musí provést níže uvedené kroky:

- ▶ Zajistěte, aby se níže uvedené konstrukční díly nacházely v bezpečném stavu:
 - Zahradní pilka, 4.6.1.
 - Vodící lišta, 4.6.2.
 - Pilový řetěz, 4.6.3.
 - Akumulátor, 4.6.4.
 - Nabíječka, 4.6.5.
- ▶ Zkontrolujte akumulátor, 10.6.
- ▶ Plně nabijte akumulátor, 6.2.
- ▶ Vyčistěte zahradní pilku, 15.1.
- ▶ Namontujte vodící lištu a pilový řetěz, 7.1.1.
- ▶ Napněte pilový řetěz, 7.2.
- ▶ Namažte pilový řetěz, 7.3.
- ▶ Zkontrolujte ovládací prvky, 10.5.
 - ▶ Pokud během zkoušky ovládacích prvků blikají 3 LED červeně: akumulátor vyjměte a vyhledejte odborného prodejce výrobků STIHL.
V zahradní pilce je porucha.
- ▶ Pokud tyto kroky nemohou být provedeny: zahradní pilku nepoužívejte a vyhledejte odborného prodejce výrobků STIHL.

6 Nabíjení akumulátoru a světla LED

6.1 Montáž nabíječky na zeď

Nabíječka může být montována na zeď.



- ▶ Nabíječku namontujte na zeď tak, aby byly splněny níže uvedené podmínky:

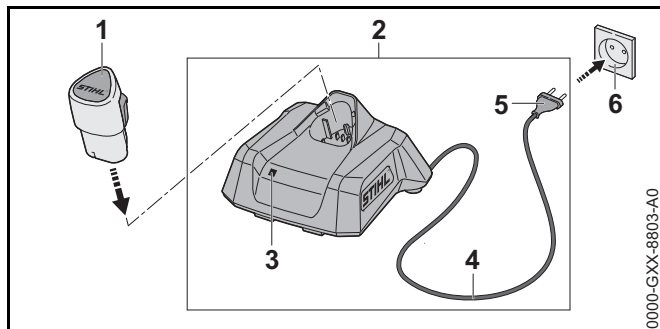
- Je použit vhodný připevňovací materiál.
- Nabíječka je ve vodorovné poloze.
- Jsou dodrženy následující rozměry:
 - a = nejméně 100 mm
 - b = 54 mm
 - c = 4,5 mm
 - d = 9 mm
 - e = 2,5 mm

6.2 Nabíjení akumulátoru

Délka doby nabíjení závisí na různých vlivech, např. na teplotě akumulátoru nebo na teplotě okolí. Skutečná délka doby nabíjení se může odchylovat od uvedené délky doby nabíjení. Délka doby nabíjení je uvedena na www.stihl.com/charging-times.

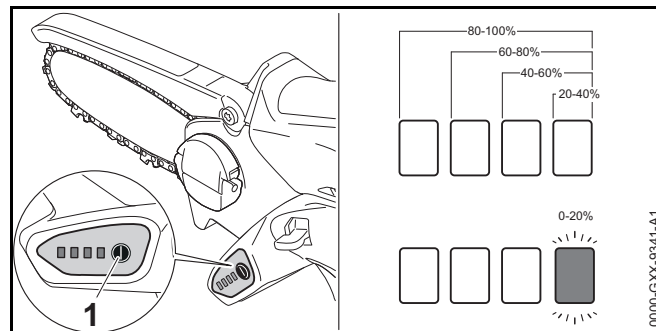
Když je elektrická vidlice zasunuta do zásuvky a akumulátor je vsazen do nabíječky, proces nabíjení se nastartuje automaticky. Když je akumulátor zcela nabit, nabíječka se automaticky vypne.

Během nabíjení se akumulátor a nabíječka zahřívají.



- ▶ Elektrickou vidlici (5) zasuňte do dobře přístupné zásuvky (6). Nabíječka (2) provede detekční test. LED (3) svítí cca 1 vteřinu zeleně a cca 1 vteřinu červeně.
- ▶ Uložte připojovací kabel (4).
- ▶ Akumulátor (1) vsadte do vodítek nabíječky (2) a až na doraz ho zamáčkněte. LED (3) svítí nebo bliká zeleně. Akumulátor (2) se nabíjí.
- ▶ Pokud LED (3) již nesvítí: akumulátor (1) je zcela nabitý a může být z nabíječky (2) vyjmut.
- ▶ Pokud se nabíječka (2) již nebude používat: elektrickou vidlici (5) vytáhněte ze zásuvky (6).

6.3 Indikace stavu nabití



- ▶ Vsaďte akumulátor.
- ▶ Stiskněte tlačítko (1). Světla LED svítí po dobu cca 5 vteřin zeleně a udávají stav nabití.
- ▶ Pokud právě světlo LED bliká zeleně: akumulátor nabíjte.

6.4 Světla LED na zahradní pilce

Světla LED mohou signalizovat stav nabití nebo poruchy na akumulátoru. Světla LED mohou svítit zeleně nebo červeně nebo blikat.

Pokud světla LED svítí zeleně nebo blikají, je signalizován stav nabití.

- ▶ Pokud světla LED svítí červeně nebo blikají: odstraňte závady, [18](#). V zahradní pilce nebo v akumulátoru je porucha.

6.5 LED na nabíječce

LED signalizuje stav nabíječky nebo její poruchy. LED může svítit zeleně nebo červeně nebo blikat.

Pokud LED svítí nebo bliká zeleně, akumulátor se nabíjí.

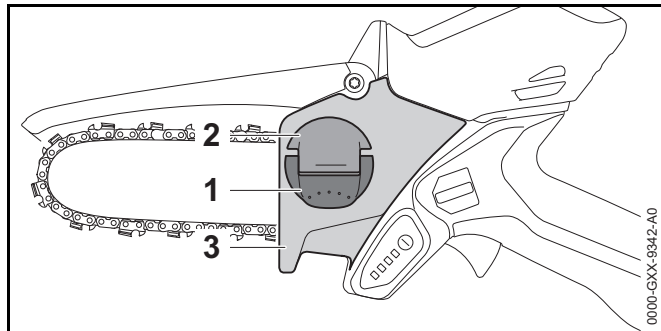
- ▶ Pokud LED svítí nebo bliká červeně: odstraňte závady, [18](#). V nabíječce nebo v akumulátoru je porucha.

7 Smontování zahradní pilky

7.1 Demontáž a montáž vodící lišty a pilového řetězu

7.1.1 Montáž vodící lišty a pilového řetězu

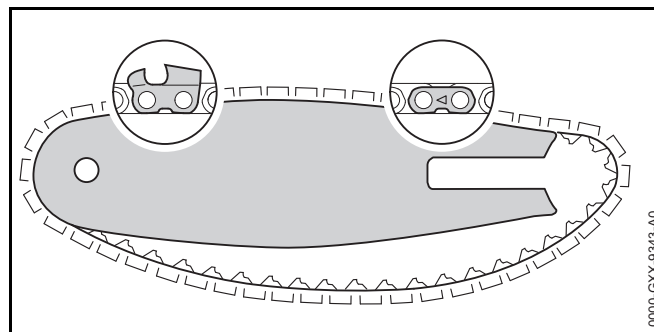
- ▶ Vypněte zahradní pilku a vyjměte akumulátor.



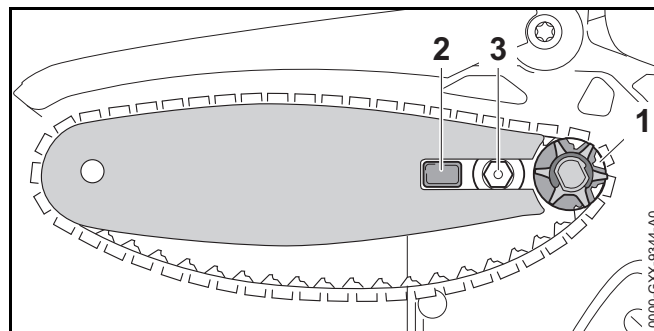
- ▶ Vyklopte křídlo (1) křídlaté matice (2).
- ▶ Otáčejte křídlatou maticí (2) v protisměru chodu hodinových ručiček tak dlouho, až může být sejmuto víko řetězky (3).
- ▶ Sejměte víko řetězky (3).
- ▶ Sejměte vodící lištu a pilový řetěz.

7.1.2 Montáž vodící lišty a pilového řetězu

Kombinace vodící lišty a pilového řetězu, které se hodí k řetězce a smějí být namontovány, jsou uvedeny v technických datech, 20.1.



- ▶ Pilový řetěz vložte do drážky vodící lišty tak, aby šipky na spojovacích člancích pilového řetězu na horní straně ukazovaly ve směru běhu pilového řetězu.



- ▶ Vodící lištu s pilovým řetězem nasadte na zahradní pilku tak, aby byly splněny níže uvedené podmínky:
 - Vodící články pilového řetězu sedí v zubech řetězky (1).
 - Čep (2) sedí v podlouhlém otvoru vodící lišty.
 - Šroub s nákrůžkem (3) sedí v podlouhlém otvoru vodící lišty.

Orientace vodící lišty nehraje žádnou roli. Nápis natištěný na vodící liště může být i vzhůru nohama.

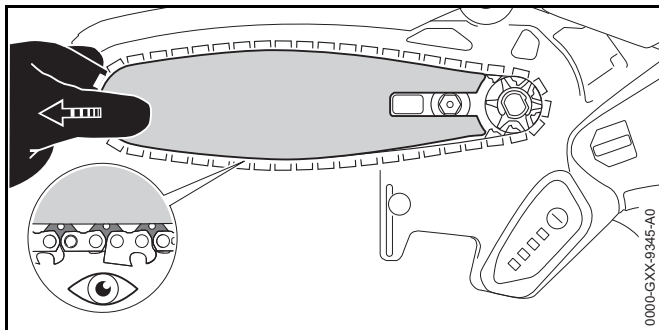
- ▶ Napněte pilový řetěz.
- ▶ Víko řetězky přiložte k zahradní pilce tak, aby lícovalo se zahradní pilkou.
- ▶ Otáčejte křídlatou maticí ve směru chodu hodinových ručiček tak dlouho, až víko řetězky pevně sedí na zahradní pilce.

- ▶ Sklopte křídlo křídlaté matice.

7.2 Napínání pilového řetězu

Během práce se pilový řetěz prodlužuje nebo smršťuje. Napnutí pilového řetězu se mění. Během práce musí být napnutí pilového řetězu pravidelně kontrolováno a musí být provedeno dodatečné napnutí.

- ▶ Vypněte zahradní pilku a vyjměte akumulátor.



- ▶ Vyklopte křídlo křídlaté matice.
- ▶ Otočte křídlatou maticí 2 otáčky v protisměru chodu hodinových ručiček. Křídlatá matice je povolena.

! VAROVÁNÍ

Řezné zuby pilového řetězu jsou ostré. Uživatel se může pořezat.

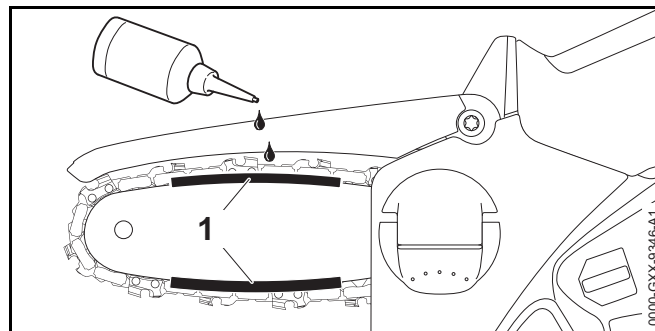
- ▶ Noste pracovní rukavice z odolného materiálu.
- ▶ Pohybuje vodící lištou doleva nebo doprava tak dlouho, až jsou splněny následující podmínky:
 - Vodící články pilového řetězu jsou na spodní straně vodící lišty ještě z poloviny viditelné.
- ▶ Otáčejte křídlatou maticí ve směru chodu hodinových ručiček tak dlouho, až víko řetězky pevně sedí na zahradní pilce.
- ▶ Pokud může být pilový řetěz po vodící liště ještě tažen dvěma prsty a jen nepatrnou silou: pilový řetěz je správně napnutý.

- ▶ Pokud jsou vodící články pilového řetězu na spodní straně vodící lišty zcela viditelné: pilový řetěz znovu napněte.
- ▶ Sklopte křídlo křídlaté matice.

7.3 Mazání pilového řetězu

Multifunkční olej STIHL Multioil Bio nebo porovnatelný biologicky odbouratelný multifunkční olej maže a chladí obíhající pilový řetěz.

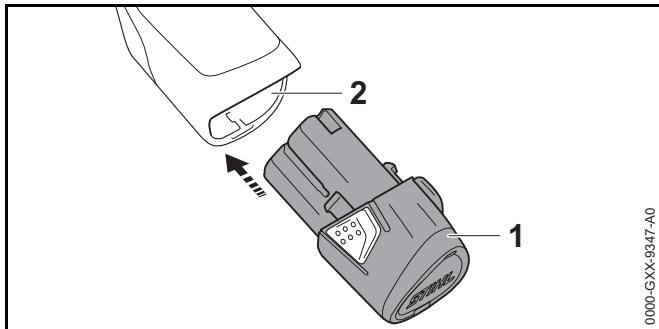
- ▶ Zahradní pilku vypněte a vyjměte akumulátor.
- ▶ Zahradní pilku položte na rovnou plochu tak, aby uzávěr řetězky směřoval nahoru.
- ▶ Vodící lištu a pilový řetěz vyčistěte štětcem, měkkým kartáčem nebo prostředkem na rozpouštění pryskyřic STIHL.



- ▶ Multifunkční olej naneste v pásmu (1) mezi vodící lištu a pilový řetěz.
- ▶ Vsaďte akumulátor.
- ▶ Zahradní pilku zapněte. Multifunkční olej se rozprostře po pilovém řetězu. Pilový řetěz je namazán.

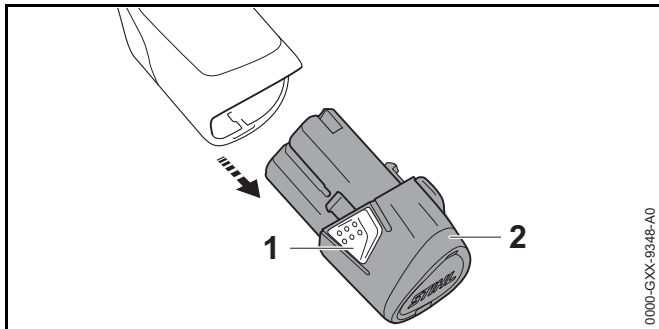
8 Vsazení a vyjmutí akumulátoru

8.1 Vsazení akumulátoru



- ▶ Akumulátor (1) zamáčkněte až na doraz do akumulátorové šachty (2). Akumulátor (1) se s kliknutím zaaretuje.

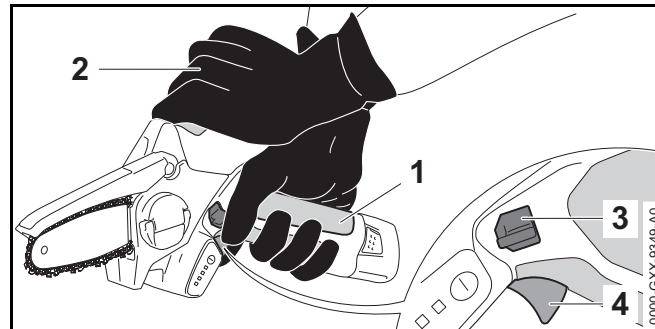
8.2 Vyjmutí akumulátoru



- ▶ Zmáčkněte obě zarážkové pojistky (1). Akumulátor (2) je deblokován a lze ho vyjmout.

9 Zapnutí a vypnutí zahradní pilky

9.1 Zapnutí zahradní pilky



- ▶ Zahradní pilku držte pevně jednou rukou v místě uchopení ovládací rukojeti (1) tak, aby palec obepínal ovládací rukojeť.
- ▶ Zahradní pilku držte druhou rukou za hmatec (2) a vedte ji.
- ▶ Stiskněte aretační páčku (3) palcem a držte ji stisknutou.
- ▶ Ukazováčkem stiskněte spínač (4) a držte ho stisknutý. Zahradní pilka akceleruje a pilový řetěz se rozběhne. Aretační páčka (3) může být puštěna.

9.2 Vypnutí zahradní pilky

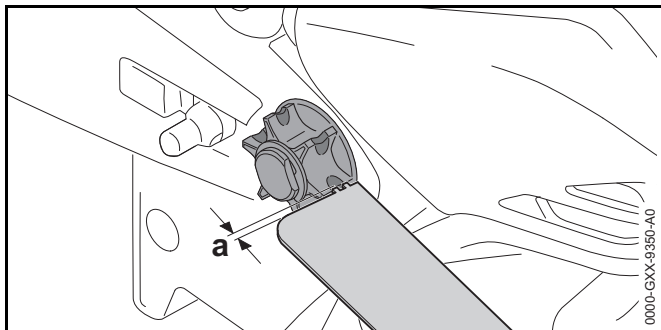
- ▶ Puštěte spínač. Pilový řetěz již neběží.
- ▶ Pokud pilový řetěz běží dále: vyjměte akumulátor a vyhledejte odborného prodejce výrobků STIHL. Zahradní pilka je defektní.

10 Kontrola akumulátorové zahradní pilky a akumulátoru

10.1 Kontrola řetězky

- ▶ Vypněte zahradní pilku a vyjměte akumulátor.

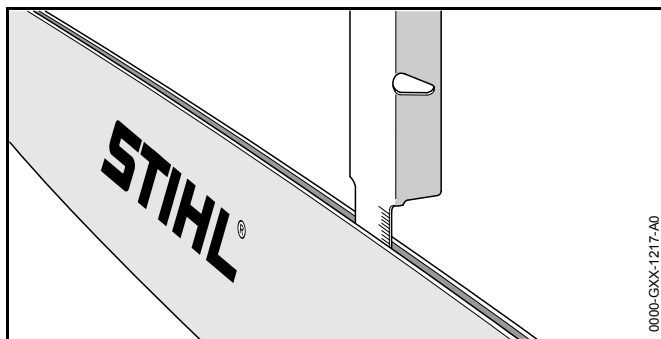
- ▶ Demontujte víko řetězky.
- ▶ Demontujte vodící lištu a pilový řetěz.



- ▶ Vyběhané stopy na řetězce přezkoušejte porovnávacím kalibrem STIHL.
- ▶ Pokud jsou vyběhané stopy hlubší než $a = 0,5$ mm: zahradní pilku nepoužívejte a vyhledejte odborného prodejce výrobků STIHL. Řetězka musí být vyměněna.

10.2 Kontrola vodící lišty

- ▶ Vypněte zahradní pilku a vyjměte akumulátor.
- ▶ Demontujte pilový řetěz a vodící lištu.



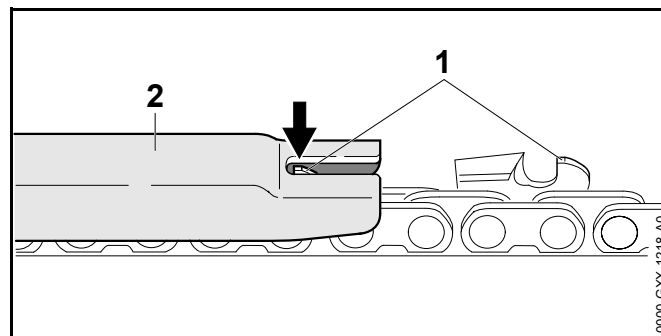
- ▶ Změřte hloubku drážky vodící lišty stupnicovou tyčí pilovací měrky STIHL.
- ▶ Vodící lištu vyměňte, pokud je splněna jedna z níže uvedených podmínek:

10 Kontrola akumulátorové zahradní pilky a akumulátoru

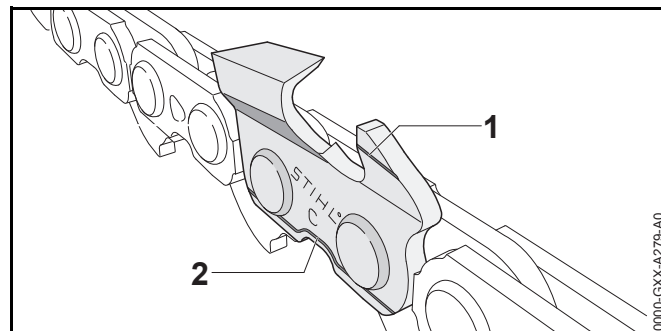
- Vodící lišta je poškozená.
 - Naměřená hloubka drážky je menší než nejmenší povolená hloubka drážky vodící lišty, 19.3.
 - Drážka vodící lišty je zúžená nebo roztažená.
- ▶ V případě nejasností: vyhledejte odborného prodejce výrobků STIHL.

10.3 Kontrola pilového řetězu

- ▶ Vypněte zahradní pilku a vyjměte akumulátor.



- ▶ Změřte výšku omezovače hloubky (1) pilovací měrkou STIHL (2). Pilovací měrka STIHL musí být vhodná pro rozteč pilového řetězu.
- ▶ Pokud omezovač hloubky (1) přesahuje pilovací měrku (2): omezovač hloubky (1) dodatečně spilujte, 16.1.



- ▶ Zkontrolujte, jsou-li viditelné značky opotřebení (1 a 2) na řezných zubech.

- ▶ Pokud není jedna ze značek opotřebená na jednom řezném zubu viditelná: motorovou pilu nepoužívejte a vyhledejte odborného prodejce výrobků STIHL.
- ▶ Pilovací měrkou STIHL zkontrolujte, je-li dodržen úhel ostření řezných zubů o velikosti 30°. Pilovací měrka STIHL musí být vhodná pro rozteč pilového řetězu.
- ▶ Pokud není úhel ostření o velikosti 30° dodržen: pilový řetěz naostřete.
- ▶ V případě nejasností: vyhledejte odborného prodejce výrobků STIHL.

10.4 Kontrola ochranného krytu

- ▶ Vyměňte akumulátor.



Řezné zuby pilového řetězu jsou ostré. Uživatel se může pořezat.

- ▶ Noste pracovní rukavice z odolného materiálu.
-
- ▶ Ochranný kryt vyklopte směrem nahoru a pusťte ho. Ochranný kryt se odpruží zpět do výchozí polohy.
 - ▶ Pokud se s ochranným krytem hýbe těžko nebo se neodpruží do výchozí polohy: zahradní pilku nepoužívejte a vyhledejte odborného prodejce výrobků STIHL. Ochranný kryt je defektní.

10.5 Kontrola ovládacích prvků

Aretační páčka a spínač

- ▶ Vyměňte akumulátor.
- ▶ Pokuste se stisknout spínač bez stisknutí aretační páčky.
- ▶ Pokud se spínač dá stisknout: vyhledejte odborného prodejce výrobků STIHL. Aretační páčka je defektní.
- ▶ Stiskněte aretační páčku a držte ji stisknutou.
- ▶ Stiskněte spínač a opět ho pusťte.

- ▶ Pokud se spínač těžko pohybuje nebo se neodpruží do výchozí polohy: zahradní pilku nepoužívejte a vyhledejte odborného prodejce výrobků STIHL. Spínač je defektní.

Zapnutí zahradní pilky

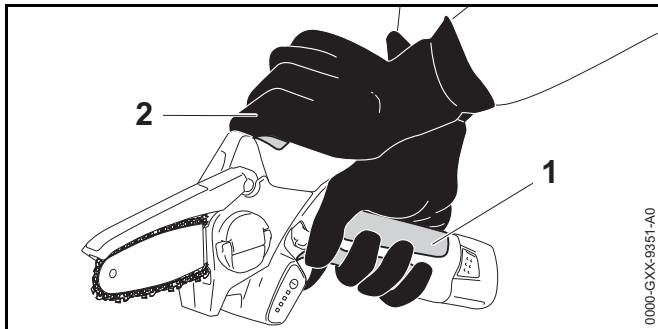
- ▶ Vsaďte akumulátor.
- ▶ Stiskněte aretační páčku a držte ji stisknutou.
- ▶ Stiskněte spínač a držte ho stisknutý. Pilový řetěz běží.
- ▶ Pokud 3 LED blikají červeně: vyjměte akumulátor a vyhledejte odborného prodejce výrobků STIHL. V zahradní pilce je porucha.
- ▶ Pusťte spínač. Pilový řetěz již neběží.
- ▶ Pokud pilový řetěz běží dále: vyjměte akumulátor a vyhledejte odborného prodejce výrobků STIHL. Zahradní pilka je defektní.

10.6 Kontrola akumulátoru

- ▶ Vsaďte akumulátor.
- ▶ Stiskněte tlačítko na zahradní pilce. Světla LED svítí nebo blikají.
- ▶ Pokud světla LED nesvítí nebo neblíkají: zahradní pilku a akumulátor nepoužívejte a vyhledejte odborného prodejce výrobků STIHL. V zahradní pilce nebo v akumulátoru je porucha.

11 Práce se zahradní pilkou

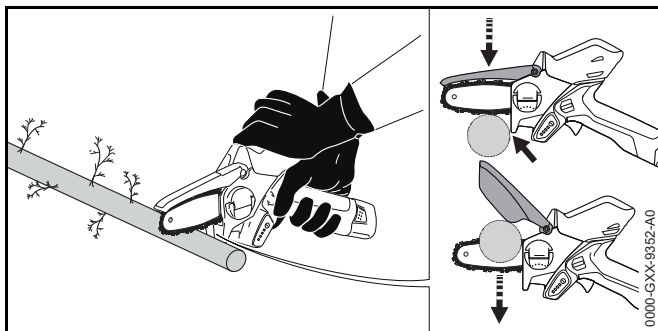
11.1 Jak zahradní pilku držet a vést



- ▶ Zahradní pilku držte pevně jednou rukou v místě uchopení ovládací rukojeti (1) tak, aby palec obepínal ovládací rukojeť, a ved'te ji.
- ▶ Zahradní pilku držte druhou rukou za hmatec (2) a ved'te ji.

11.2 Řezání

- ▶ Zaved'te vodící lištu na plný plyn do řezu.



- ▶ Nasad'te ozubený doraz a použijte ho jako otočný bod.
- ▶ Ved'te vodící lištu úplně skrze dřevo.
- ▶ Na konci řezu zachyťte hmotnost zahradní pilky.
- ▶ Větve odřezávejte jednotlivě.

12 Po skončení práce

12.1 Po skončení práce

- ▶ Vypněte zahradní pilku a vyjměte akumulátor.
- ▶ Pokud je zahradní pilka mokrá: zahradní pilku nechejte uschnout.
- ▶ Pokud je akumulátor mokrá: nechejte ho uschnout.
- ▶ Vyčistěte zahradní pilku.
- ▶ Vyčistěte vodící lištu a pilový řetěz.
- ▶ Nasuňte ochranný kryt řetězu na vodící lištu tak, aby byla celá vodící lišta zakrytá.
- ▶ Vyčistěte akumulátor.

13 Přeprava

13.1 Přeprava zahradní pilky

- ▶ Zahradní pilku vypněte a vyjměte akumulátor.
- ▶ Nasuňte kryt řetězu na vodící lištu tak, aby byla celá vodící lišta zakrytá.

Jak nosit zahradní pilku

- ▶ Zahradní pilku noste jednou rukou za ovládací rukojeť tak, aby vodící lišta směřovala dolů.

Přeprava zahradní pilky ve vozidle

- ▶ Zahradní pilku přepravujte v brašně, která je součástí dodávky.
- ▶ Brašnu zajistěte tak, aby se nemohla převrátit ani pohnout.
- ▶ Pokud v rozsahu dodávky není žádná brašna, zahradní pilku zajistěte upínacími popruhy, řemenem nebo síťkou tak, aby se nemohla převrátit ani pohnout.

13.2 Přeprava akumulátoru

- ▶ Vypněte zahradní pilku a vyjměte akumulátor.

- ▶ Zajistěte, aby byl akumulátor ve stavu odpovídajícím bezpečnosti.
- ▶ Akumulátor zabalte do brašny, která je součástí dodávky.
- ▶ Pokud není součástí dodávky žádná brašna: akumulátor zabalte tak, aby byly splněny níže uvedené podmínky:
 - Balení není elektricky vodivé.
 - Akumulátor se v balení nemůže pohybovat.
- ▶ Balení zajistěte tak, aby se nemohlo pohybovat.

Akumulátor podléhá požadavkům na přepravu nebezpečných nákladů. Akumulátor je zařazen jako UN 3480 (lithium-iontové baterie) a byl přezkoušen podle manuálu UN Zkoušky a kritéria, díl III, podkapitola 38.3.

Převážní předpisy jsou uvedeny na www.stihl.com/safety-data-sheets.

13.3 Přeprava nabíječky

- ▶ Vytáhněte elektrickou vidlici ze zásuvky.
- ▶ Vyjměte akumulátor.
- ▶ Připojovací kabel sviňte a připevněte na nabíječku.
- ▶ Pokud se bude nabíječka přepravovat v automobilu:
 - ▶ Nabíječku přepravujte v brašně, která je součástí dodávky.
 - ▶ Brašnu zajistěte tak, aby se nemohla převrátit ani pohnout.
 - ▶ Pokud v rozsahu dodávky není žádná brašna, nabíječku zajistěte tak, aby se nemohla převrátit ani pohnout.

14 Skladování

14.1 Skladování zahradní pilky

- ▶ Vypněte zahradní pilku a vyjměte akumulátor.
- ▶ Nasuňte ochranný kryt řetězu na vodící lištu tak, aby byla celá vodící lišta zakrytá.
- ▶ Zahradní pilku skladujte tak, aby byly splněny níže uvedené podmínky:

- Zahradní pilku skladujte mimo dosah dětí.
- Zahradní pilka je čistá a suchá.
- Pilový řetěz je namazán.

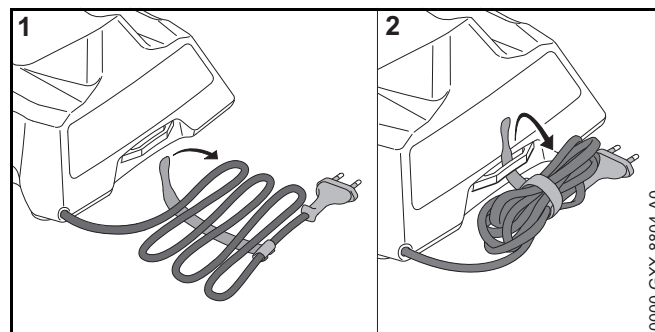
14.2 Skladování akumulátoru

STIHL doporučuje skladovat akumulátor ve stavu nabití mezi 40 % a 60 % (2 zeleně svítící světla LED).

- ▶ Akumulátor skladujte tak, aby byly splněny níže uvedené podmínky:
 - Akumulátor je mimo dosah dětí.
 - Akumulátor je čistý a suchý.
 - Akumulátor je v uzavřeném prostoru.
 - Akumulátor skladujte odděleně od zahradní pilky a nabíječky.
 - Akumulátor je v balení, které není elektricky nevodivé.
 - Akumulátor je v tepelném pásmu mezi $-20\text{ }^{\circ}\text{C}$ a $+60\text{ }^{\circ}\text{C}$.

14.3 Skladování nabíječky

- ▶ Vytáhněte elektrickou vidlici ze zásuvky.
- ▶ Vyjměte akumulátor.



- ▶ Naviňte připojovací kabel a připevněte jej na nabíječku.
- ▶ Nabíječku skladujte tak, aby byly splněny níže uvedené podmínky:
 - Nabíječka je mimo dosah dětí.
 - Nabíječka je čistá a suchá.
 - Nabíječka je v uzavřeném prostoru.

- Nabíječka je oddělena od akumulátoru.
- Nabíječka není zavěšená za připojovací kabel.
- Nabíječka je v tepelném pásmu mezi -20 °C a +60 °C.

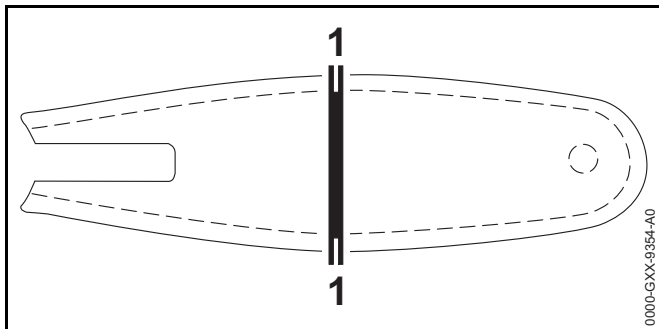
15 Čištění

15.1 Čištění zahradní pilky

- ▶ Vypněte zahradní pilku a vyjměte akumulátor.
- ▶ Zahradní pilku očistěte vlhkým hadrem nebo prostředkem na rozpouštění pryskyřic STIHL.
- ▶ Demontujte víko řetězky.
- ▶ Pásmo okolo řetězky očistěte vlhkým hadrem nebo prostředkem na rozpouštění pryskyřic STIHL.
- ▶ Odstraňte z akumulátorové šachty cizí předměty a vyčistěte akumulátorovou šachtu vlhkým hadrem.
- ▶ Elektrické kontakty v akumulátorové šachtě vyčistěte štětcem nebo měkkým kartáčem.
- ▶ Namontujte víko řetězky.

15.2 Čištění vodicí lišty a pilového řetězu

- ▶ Vypněte zahradní pilku a vyjměte akumulátor.
- ▶ Demontujte vodicí lištu a pilový řetěz.



- ▶ Drážku (1) vyčistěte štětcem, měkkým kartáčem nebo prostředkem na rozpouštění pryskyřic STIHL.

- ▶ Pilový řetěz vyčistěte štětcem, měkkým kartáčem nebo prostředkem na rozpouštění pryskyřic STIHL.
- ▶ Namontujte vodicí lištu a pilový řetěz.
- ▶ Namažte pilový řetěz.

15.3 Čištění akumulátoru

- ▶ Akumulátor vyčistit vlhkým hadrem.

15.4 Čištění nabíječky

- ▶ Elektrickou vidlici vytáhnout ze zásuvky.
- ▶ Nabíječku vyčistit vlhkým hadrem.
- ▶ Elektrické kontakty nabíječky vyčistit štětcem nebo měkkým kartáčem.

16 Údržba

16.1 Ostření pilového řetězu

Správné ostření pilového řetězu vyžaduje velkou praxi.

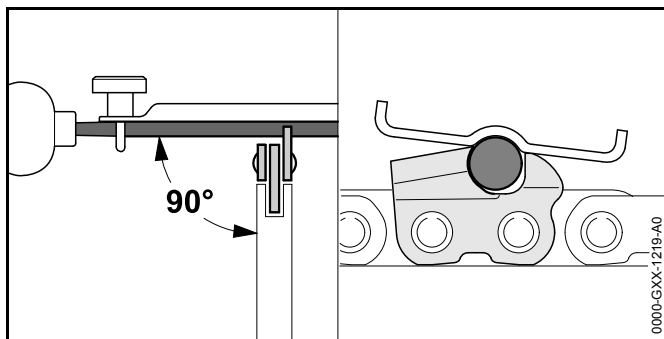
Pomůckou pro správné ostření pilového řetězu jsou pilníky STIHL, pilovací pomůcky STIHL, ostřicí přístroje STIHL a brožurka „Ostření pilových řetězů STIHL“. Brožurka je dostupná na adrese www.stihl.com/sharpening-brochure.

STIHL doporučuje nechat pilové řetězy ostřit u odborného prodejce výrobků STIHL.

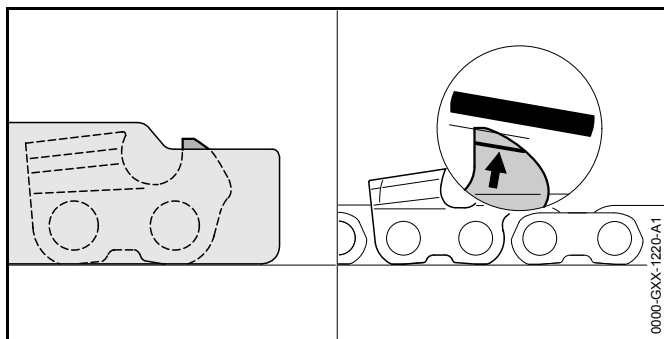
VAROVÁNÍ

Rezné zuby pilového řetězu jsou ostré. Uživatel se může pořezat.

- ▶ Noste pracovní rukavice z odolného materiálu.



- ▶ Každý řezný zub ostřete kulatým pilníkem tak, až jsou splněny níže uvedené podmínky:
 - Kulatý pilník je vhodný pro rozteč pilového řetězu.
 - Kulatý pilník je veden směrem zevnitř ven.
 - Kulatý pilník je veden v pravém úhlu k vodící liště.
 - Je dodržen úhel ostření 30°.



- ▶ Omezovač hloubky spilujte tak, aby byl na stejné rovině s pilovací měrkou STIHL a paralelně ke značkám opotřebení. Pilovací měřka STIHL musí být vhodná pro rozteč pilového řetězu.
- ▶ V případě nejasností vyhledejte odborného prodejce výrobků STIHL.

17 Oprava


17.1 Oprava zahradní pilky, akumulátoru a nabíječky

Uživatel nemůže zahradní pilku, vodící lištu, pilový řetěz, akumulátor a nabíječku opravovat sám.

- ▶ Pokud jsou zahradní pilka, vodící lišta nebo pilový řetěz poškozeny: zahradní pilku, vodící lištu nebo pilový řetěz nepoužívejte a vyhledejte odborného prodejce výrobků STIHL.
- ▶ Pokud je akumulátor defektní nebo poškozený, vyměňte ho.
- ▶ Pokud je nabíječka defektní nebo poškozená: nabíječku vyměňte.
- ▶ Pokud je připojovací kabel defektní nebo poškozený: nabíječku nepoužívejte a připojovací kabel nechejte vyměnit u odborného prodejce výrobků STIHL.

18 Odstranění poruch

18.1 Odstranění poruch na zahradní pilce nebo akumulátoru

Porucha	Světla LED na zahradní pilce	Příčina	Odstranění závady
Při zapnutí se zahradní pilka nerozběhne.	1 LED bliká zeleně.	Stav nabití akumulátoru je příliš nízký.	► Nabijte akumulátor.
	1 LED svítí červeně.	Akumulátor je příliš teplý nebo příliš studený.	► Vyměňte akumulátor. ► Nechejte akumulátor vychladnout nebo zahřát.
	3 LED blikají červeně.	V zahradní pilce je porucha.	► Vyměňte akumulátor. ► Vyčistěte elektrické kontakty v akumulátorové šachtě. ► Vsaďte akumulátor. ► Zapněte zahradní pilku. ► Pokud 3 světla LED i nadále červeně blikají: akumulátor nepoužívejte a vyhledejte odborného prodejce výrobků STIHL.
	3 LED svítí červeně.	Zahradní pilka je příliš teplá.	► Vyměňte akumulátor. ► Nechejte zahradní pilku vychladnout.
	4 LED blikají červeně.	V akumulátoru je porucha.	► Vyměňte akumulátor a opět ho vsaďte. ► Zapněte zahradní pilku. ► Pokud 4 světla LED i nadále blikají červeně: akumulátor nepoužívejte a vyhledejte odborného prodejce výrobků STIHL.
		Elektrické spojení mezi zahradní pilkou a akumulátorem je přerušeno.	► Vyměňte akumulátor. ► Vyčistěte elektrické kontakty v akumulátorové šachtě. ► Vsaďte akumulátor.
		Zahradní pilka nebo akumulátor jsou vlhké.	► Zahradní pilku nebo akumulátor nechejte uschnout.
		Pilový řetěz je zakleslý.	► Vyměňte akumulátor. ► Vyčistěte zahradní pilku,  15.1.
Zahradní pilka se za provozu vypíná.	3 LED svítí červeně.	Zahradní pilka je příliš teplá.	► Vyměňte akumulátor. ► Nechejte zahradní pilku vychladnout.

Porucha	Světla LED na zahradní pilce	Příčina	Odstranění závady
		Existuje elektrická porucha.	<ul style="list-style-type: none"> ▶ Vyměňte akumulátor a opět ho vsadte. ▶ Zapněte zahradní pilku.
Řezný výkon zahradní pilky klesá.	1 LED bliká zeleně.	Stav nabití akumulátoru je příliš nízký.	▶ Nabijte akumulátor.
		Pilový řetěz není správně naostřen.	▶ Pilový řetěz správně naostřete.
		Pilový řetěz je příliš napnutý.	▶ Pilový řetěz správně napněte.
		Mazání řetězu není dostatečné.	▶ Pilový řetěz namažte.
Provozní doba zahradní pilky je příliš krátká.		Akumulátor není zcela nabitý.	▶ Akumulátor zcela nabijte.
		Životnost akumulátoru je překročena.	▶ Akumulátor vyměňte.

18.2 Odstranění poruch nabíječky

Porucha	LED na nabíječce	Příčina	Odstranění závady
Akumulátor se nenabíjí.	LED svítí červeně.	Akumulátor je příliš teplý nebo příliš studený.	▶ Akumulátor nechejte vsazený v nabíječce. Proces nabíjení se spustí automaticky, jakmile je dosaženo přípustné tepelné pásmo.
		Elektrické spojení mezi nabíječkou a akumulátorem je přerušeno.	▶ Vyměňte akumulátor.
			▶ Vyčistěte elektrické kontakty na nabíječce.
			▶ Vsaďte akumulátor.
	LED bliká červeně.	V nabíječce je porucha.	▶ Nabíječku nepoužívejte a vyhledejte odborného prodejce výrobků STIHL.
		V akumulátoru je porucha.	▶ Akumulátor nepoužívejte a vyhledejte odborného prodejce výrobků STIHL.
Nabíječka neprovádí žádný detekční test.	LED nesvítí po dobu cca 1 vteřiny zeleně a cca 1 vteřiny červeně.	Elektrické spojení k nabíječce bylo krátce přerušeno.	<ul style="list-style-type: none"> ▶ Vytáhněte elektrickou vidlici ze zásuvky. ▶ Počkejte 1 minutu. ▶ Zastrčte síťovou vidlici do zásuvky.

19 Technická data

19.1 Zahradní pilka STIHL GTA 26

- Přípustný akumulátor: STIHL AS
- Hmotnost bez akumulátoru, s vodící lištou a pilovým řetězem: 1,2 kg

Doba životnosti je uvedena na www.stihl.com/battery-life.

19.2 Řetězky

Použity mohou být níže uvedené řetězky:

- se 6 zuby pro 1/4" P

19.3 Minimálně dovolená hloubka drážky vodící lišty

Minimálně dovolená hloubka drážky závisí na rozteči vodící lišty.

- 1/4" P: 4 mm

19.4 Akumulátor STIHL AS

- technologie akumulátoru: lithium-iontový
- napětí: 10,8 V
- kapacita v Ah: viz výkonový štítek
- obsah energie ve Wh: viz výkonový štítek
- hmotnost v kg: viz výkonový štítek
- přípustné tepelné pásmo pro použití a skladování: -20 °C až +50 °C

Pokud se bude se zahradní pilkou pracovat při teplotě nižší než 0 °C nebo vyšší než +30 °C, může se délka chodu akumulátoru zkrátit a výkon zahradní pilky snížit.

19.5 Nabíječka STIHL AL 1

- Jmenovité napětí: viz výkonový štítek
- Frekvence: viz výkonový štítek
- Jmenovitý výkon: viz výkonový štítek
- Nabíjecí proud: viz výkonový štítek
- Přípustné tepelné pásmo pro použití a skladování: -20 °C a +50 °C
- Maximální obsah energie přípustného akumulátoru STIHL AS: 12,5 Ah

Délky dob nabíjení jsou uvedeny na www.stihl.com/charging-times.

Pokud se bude nabíječka používat za nižší teploty než +5 °C nebo vyšší teploty než +30 °C, mohou se nabíjecí doby prodloužit.

19.6 Prodlužovací kabely

Pokud se používá prodlužovací kabel, musejí mít jeho žíly v závislosti na napětí a na délce prodlužovacího kabelu nejméně níže uvedené průřezy:

Pokud je jmenovité napětí na výkonovém štítku 220 V až 240 V:

- délka kabelu do 20 m: AWG 15 / 1,5 mm²
- délka kabelu 20 m až 50 m: AWG 13 / 2,5 mm²

Pokud je jmenovité napětí na výkonovém štítku 100 V až 127 V:

- délka kabelu do 10 m: AWG 14 / 2,0 mm²
- délka kabelu 10 m až 30 m: AWG 12 / 3,5 mm²

19.7 Akustické a vibrační hodnoty

Hodnota K pro hladinu akustického tlaku je 2 dB(A).
Hodnota K pro hladinu akustického výkonu je 2 dB(A).
Hodnota K pro vibrační hodnoty je 2 m/s².

STIHL doporučuje nosit ochranu sluchu.

- Hladina akustického tlaku L_{pA} měřená podle EN 60745-2-13: 77 dB(A)
- Hladina akustického výkonu L_{wA} měřená podle EN 60745-2-13: 86 dB(A)
- Vibrační hodnota a_{hv} měřená podle EN 60745-2-13:
 - Ovládací rukojeť: 2,8 m/s²
 - Hmatec: 2,9 m/s.

Uvedené vibrační hodnoty se měřily podle normovaného zkušební postupu a mohou se použít pro porovnání s elektrickými stroji. Skutečně vznikající vibrační hodnoty se mohou od uvedených hodnot odchylovat, závisí to na druhu a způsobu použití. Uvedené vibrační hodnoty se mohou použít pro prvotní odhad vibrační zátěže. Skutečná vibrační zátěž se musí odhadnout. Mohou se přitom zohlednit také doby, ve kterých je elektrický stroj vypnutý, a takové doby, ve kterých je sice zapnutý, ale běží bez zátěže.

Údaje ke splnění Směrnice pro zaměstnavatele
Vibrace 2002/44/ES viz www.stihl.com/vib.

19.8 REACH

REACH je názvem ustanovení EG o registraci, klasifikaci a povolení chemikálií.

Informace ohledně splnění ustanovení REACH se nacházejí pod www.stihl.com/reach.

20 Kombinace vodících lišt a pilových řetězů

20.1 Zahradní pilka STIHL GTA 26

Rozteč	Tloušťka vodícího článku / šířka drážky	Délka	Vodící lišta	Počet zubů vodícího kolečka	Počet vodících článků	Pilový řetěz
1/4" P	1,1 mm	10 cm	Light	-	28	71 PM3 (typ 3670)

Řezná délka vodící lišty závisí na používané zahradní pilce a pilovém řetězu. Skutečná řezná délka vodící lišty může být menší než uvedená délka.

21 Náhradní díly a příslušenství

21.1 Náhradní díly a příslušenství

STIHL Tyto symboly označují originální náhradní díly STIHL a originální příslušenství STIHL.

STIHL doporučuje používat originální náhradní díly STIHL a originální příslušenství STIHL.

Originální náhradní díly STIHL a originální příslušenství STIHL jsou k dostání u odborného prodejce výrobků STIHL.

22 Likvidace

22.1 Likvidace zahradní pilky, akumulátoru a nabíječky

Informace týkající se likvidace jsou k dostání u odborného prodejce výrobků STIHL.

- ▶ Zahradní pilku, vodící lištu, pilový řetěz, akumulátor, příslušenství a balení zlikvidujte předpisově a s ohledem na životní prostředí.

23 Prohlášení o konformitě EU

23.1 Zahradní pilka STIHL GTA 26

ANDREAS STIHL AG & Co. KG
Badstraße 115
D-71336 Waiblingen
Německo

na vlastní zodpovědnost prohlašuje, že výrobek

- konstrukce: zahradní pilka
- výrobní značka: STIHL
- typ: GTA 26

- sériová identifikace: GA01

odpovídá patřičným předpisům ve znění směrnic 2011/65/EU, 2006/42/ES, 2014/30/EU a 2000/14/ES a je vyvinut a vyroben podle následujících norem ve verzích platných vždy k datu výroby: EN 55014-1, EN 55014-2, EN 62841-1.

Zkouška ES konstrukčního vzorku podle směrnice 2006/42/ES, článek 12.3(b), byla provedena u: VDE Prüf- u. Zertifizierungsinstitut (NB 0366), Merianstraße 28, 63069 Offenbach, Německo.

- Certifikační číslo: 40050017

Ke zjištění naměřené a zaručené hladiny akustického výkonu se postupovalo podle směrnice 2000/14/ES, příloha V.

- Naměřená hladina akustického výkonu: 88 dB(A).
- Zaručená hladina akustického výkonu: 90 dB(A).

Technické podklady jsou uloženy v oddělení homologace výrobku firmy ANDREAS STIHL AG & Co. KG.

Rok výroby, země výroby a výrobní číslo jsou uvedeny na zahradní pilce.

Waiblingen, 03.02.2020

ANDREAS STIHL AG & Co. KG

V zast.



Dr. Jürgen Hoffmann, vedoucí oddělení dat, předpisů a homologace výrobků

23.2 Odkaz na konformitu nabíječky STIHL AL 1

Tato nabíječka je vyrobena a uvedena na trh v souladu s níže uvedenými směrnicemi: 2014/35/EU, 2014/30/EU a 2011/65/EU.

Rok výroby, země výroby a výrobní číslo jsou uvedeny na nabíječce.

Kompletní prohlášení o konformitě ES je k dispozici u firmy ANDREAS STIHL AG & Co. KG, Badstraße 115, 71336 Waiblingen, Německo.

24 Adresy

24.1 Hlavní sídlo firmy STIHL

ANDREAS STIHL AG & Co. KG
Postfach 1771
D-71307 Waiblingen

24.2 Distribuční společnosti STIHL

NĚMECKO

STIHL Vertriebszentrale AG & Co. KG
Robert-Bosch-Straße 13
64807 Dieburg
Telefon: +49 6071 3055358

RAKOUSKO

STIHL Ges.m.b.H.
Fachmarktstraße 7
2334 Vösendorf
Telefon: +43 1 86596370

ŠVÝCARSKO

STIHL Vertriebs AG
Isenrietstraße 4
8617 Mönchaltorf
Telefon: +41 44 9493030

ČESKÁ REPUBLIKA

Andreas STIHL, spol. s r.o.
Chrlická 753
664 42 Modřice

24.3 Dovozci firmy STIHL

BOSNA-HERCEGOVINA

UNIKOMERC d. o. o.
Bišće polje bb
88000 Mostar
Telefon: +387 36 352560
Fax: +387 36 350536

CHORVATSKO

UNIKOMERC – UVOZ d.o.o.
Sjedište:
Amruševa 10, 10000 Zagreb
Prodaja:
Ulica Kneza Ljudevita Posavskog 56, 10410 Velika Gorica
Telefon: +385 1 6370010
Fax: +385 1 6221569

TURECKO

SADAL TARIM MAKİNALARI DIŞ TİCARET A.Ş.
Alsancak Sokak, No:10 I-6 Özel Parsel
34956 Tuzla, İstanbul
Telefon: +90 216 394 00 40
Fax: +90 216 394 00 44

25 Všeobecné bezpečnostní pokyny pro elektrické stroje

25.1 Úvod

V této kapitole jsou uvedeny předformulované, všeobecně platné bezpečnostní pokyny v normě EN/IEC 62841 pro rukou vedené, motorem poháněné elektrické stroje a nářadí.

STIHL tyto texty musí otisknout.

Bezpečnostní pokyny k zabránění elektrické rány, uvedené pod bodem "Elektrická bezpečnost", nejsou aplikovatelné na akumulátorové výrobky STIHL.


VAROVÁNÍ

Přečtěte si všechny bezpečnostní pokyny, návody, ilustrace a technická data, jimiž je tento elektrický stroj opatřen. Zanedbání a nedodržení následujících pokynů mohou způsobit úraz elektrickým proudem, požár a/nebo další těžké úrazy. **Všechny bezpečnostní pokyny a návody bezpečně uložit pro další použití.**

Pojem „elektrický stroj“, používaný v bezpečnostních pokynech, se vztahuje na elektrické nářadí napájené ze sítě (se síťovým kabelem) nebo na elektrické nářadí napájené akumulátorem (bez síťového kabelu).

25.2 Bezpečnost pracoviště

- a) **Své pracoviště udržujte v čistém stavu a dobře osvětlené.** Nepořádek nebo neosvětlené pracoviště mohou vést k úrazům.
- b) **Nikdy s elektrickým strojem nepracujte v prostředí ohroženém explozemi, ve kterém se nacházejí hořlavé kapaliny, plyny nebo vznětlivý prach jakéhokoli druhu.** Elektrické stroje produkují elektrické jiskry, které by mohly vznětlivý prach či vznětlivé výpary zapálit.
- c) **Během práce s elektrickým strojem nepouštějte děti a jiné osoby do jeho blízkosti.** V případě odpoutání pozornosti by mohlo dojít ke ztrátě vaší kontroly nad strojem.

25.3 Elektrická bezpečnost

- a) **Připojovací elektrická vidlice elektrického stroje musí být vhodná pro síťovou zásuvku. Elektrická vidlice se nikdy nesmí žádným způsobem pozměňovat. Nikdy nepoužívejte žádné adaptérové vidlice v kombinaci s elektrickými stroji s ochranným uzemněním.** Nezměněné elektrické vidlice a vhodné zásuvky snižují nebezpečí úrazu elektrickým proudem.
- b) **Vyhnete se tělesným kontaktům s uzemněnými plochami například trubek, topných těles, elektrických sporáků a ledniček.** Existuje zde zvýšené riziko úrazu elektrickým proudem v případě, že je vaše tělo uzemněno.

- c) **Elektrické stroje nikdy nenechávat na dešti či v moku.** Proniknutí vody do elektrického stroje zvyšuje riziko úrazu elektrickým proudem.
- d) **Nepoužívejte kabel k jiným účelům, např. k nošení elektrického stroje, k jeho zavěšování nebo k vytahování vidlice ze zásuvky. Kabel udržovat daleko od zdrojů vysokých teplot, oleje, ostrých hran nebo pohyblivých částí stroje.** Poškozené či zamotané kabely zvyšují riziko elektrické rány.
- e) **V případě, že s elektrickým strojem budete pracovat venku, používejte pouze takové prodlužovací kabely, které jsou vhodné také pro venkovní práce.** Použití prodlužovacího kabelu vhodného pro venkovní práce snižuje riziko úrazu elektrickým proudem.
- f) **Pokud se nelze vyhnout provozu elektrického stroje ve vlhkém prostředí, používejte zásadně vždy ochranný spínač proti nedostatečnému proudu.** Použití ochranného spínače proti nedostatečnému proudu snižuje riziko úrazu elektrickým proudem.

25.4 Bezpečnost osob

- a) **Při práci buďte pozorní, dbejte na to, co děláte a s elektrickým strojem pracujte vždy s rozmyslem. Nikdy s elektrickým strojem nepracujte, jste-li unaveni nebo pod vlivem drog, alkoholu či léků.** Jakákoliv krátká momentální nepozornost během práce s elektrickým strojem může mít za následek vážné úrazy.
- b) **Noste osobní ochranné vybavení a zásadně vždy ochranné brýle.** Použití osobního ochranného vybavení, jako např. ochranné protiprašné masky, bezpečnostních bot s hrubou, neklouzavou podrážkou, ochranné přilby nebo ochrany sluchu, podle druhu a použití elektrického stroje, snižuje riziko úrazů.
- c) **Zabraňte nechtěnému, samovolnému uvedení stroje do provozu. Ještě dříve, než připojíte elektrický stroj na síťové napájení a/nebo na akumulátor, než ho zdvihnete nebo hodláte přenést, se bezpodmínečně přesvědčte o tom, že je vypnutý.** Pokud máte při přenášení elektrického stroje prst na spínači, nebo stroj připojujete na síťové napájení v zapnutém stavu, může to vést k úrazům.

- d) **Před zapnutím elektrického stroje vždy zásadně odstraňte nářadí k jeho seřizování nebo šroubováky.** Nářadí či klíče, které by se nacházely v jednom z rotujících dílů stroje, by mohly vést k úrazům.
 - e) **Vyhnete se jakémukoli abnormálnímu držení těla.** Zajistěte si pevný postoj a udržujte neustále správnou rovnováhu. Tím můžete elektrický stroj lépe kontrolovat i v neočekávaných situacích.
 - f) **Noste vhodný oděv. Nikdy nenoste široký, volný oděv ani žádné šperky a ozdoby. Vlasy a oděv udržujte ve správné vzdálenosti od pohybujících se částí stroje.** Volný oděv, šperky, ozdoby či dlouhé vlasy by se mohly zachytit v pohybujících se částech stroje.
 - g) **Pokud je možné namontovat prach odsávající nebo prach zachycující zařízení, je třeba je připojit a správně použít.** Použití zařízení pro odsávání prachu může snížit ohrožení zdraví vlivem prachu.
 - h) **Nepodléhejte falešnému pocitu bezpečnosti a nezanedbávejte bezpečnostní pravidla pro elektrické stroje, i když jste po mnohanásobném použití s elektrickým strojem dobře obeznámeni.** Nepozorné zacházení a jednání může během zlomků vteřiny vést k těžkým úrazům.
- d) **Nepoužívané elektrické stroje skladujte mimo dosah dětí. Nikdy nedovolte používat tento stroj osobám, které nejsou s tímto strojem obeznámeny a které si nepřčetly tyto pokyny a návody.** Elektrické stroje jsou nebezpečné v případech, že jsou používány nezkušenými osobami.
 - e) **Elektrické stroje a používané nářadí pečlivě ošetřujte. Vždy kontrolujte, zda pohyblivé díly stroje dokonale fungují a nezadrhávají se, zda jednotlivé součásti nejsou zlomené či prasklé a nebo jinak poškozené tak, že je tím negativně ovlivněna funkce elektrického stroje. Před zahájením práce s elektrickým strojem nechte poškozené díly opravit.** Příčina mnoha úrazů spočívá ve špatné údržbě elektrických strojů.
 - f) **Řezné nářadí udržujte v čistém a správně naostřeném stavu.** Pečlivě ošetřované řezné nástroje s ostrými břity mají nižší sklon k zaklesnutí a jejich vedení při práci je snadnější.
 - g) **Elektrický stroj, používané nářadí a pracovní nástroje atd. používejte patřičně podle těchto pokynů a návodů. Zásadně přitom zohledněte také pracovní podmínky a k provedení naplánované práce.** Použití elektrických strojů k jinému než k předurčenému použití může vést k nebezpečným situacím.
 - h) **Udržujte rukojeti a plochy k uchopení v suchém, čistém stavu, bez oleje a tuků.** Kluzké rukojeti a plochy k uchopení nedovolují žádnou bezpečnou obsluhu a kontrolu elektrického stroje v nepředvídatelných situacích.

25.5 Použití a zacházení s elektrickým strojem

- a) **Stroj nikdy nepřetěžujte. Pro vaši práci používejte elektrický stroj, který je pro ni určen.** S vhodným elektrickým strojem pracujete v uvedeném výkonostním pásmu lépe a bezpečněji.
- b) **Nikdy nepoužívejte elektrický stroj, jehož spínač je defektní.** Elektrický stroj, který se již nedá zapnout či vypnout, je nebezpečný a musí být opraven.
- c) **Dříve, než začnete na stroji provádět seřizovací úkony, výměnu pracovních dílů nebo elektrický nástroj odložíte, zásadně vždy nejdříve vytáhněte elektrickou vidlici ze zásuvky a/nebo odstraňte vyjímatelný akumulátor.** Toto bezpečnostní opatření zabrání jakémukoli nechtěnému naskočení elektrického stroje.

25.6 Použití a zacházení s akumulátorovým strojem

- a) **Nabíjení akumulátorů provádějte pouze výrobcem doporučenými nabíječkami.** Nabíječka, která je vhodná pro určitý druh akumulátorů, hrozí v případě použití s jinými akumulátory nebezpečí požáru.
- b) **V elektrických nástrojích používejte pouze pro ně předurčené akumulátory.** Při použití jiných akumulátorů může hrozit nebezpečí úrazu či požáru.

- c) **Akumulátor, který právě není používán, nepřechovávat v blízkosti kancelářských spínaček, mincí, klíčů, hřebíků, šroubů a jiných kovových předmětů, které by mohly způsobit přemostění kontaktů.** Zkrat mezi kontakty akumulátoru může mít za následek popálení či požár.
- d) **Při nesprávném použití může z akumulátoru vytéct kapalina. Vyhnete se kontaktu s ní. Při náhodném kontaktu s kapalinou se ihned opláchnout vodou. Pokud by se kapalina dostala do očí, obraťte se navíc s žádostí o pomoc na lékaře.** Z akumulátoru vytékající kapalina může způsobit podráždění pokožky nebo popálení.
- e) **Nepoužívejte žádný poškozený nebo pozměněný akumulátor.** Poškozené nebo pozměněné akumulátory se mohou chovat nepředvídatelně a mohou vést k požáru, explozi nebo úrazům.
- f) **Nikdy nevystavujte akumulátor ohni nebo vysokým teplotám.** Oheň nebo teploty nad 130 °C (265 °F) mohou vyvolat explozi.
- g) **Dodržujte všechny pokyny a odkazy k nabíjení a nenabíjejte akumulátor nebo akumulátorový stroj nikdy mimo v návodu k použití uvedeného tepelného pásma.** Falešné nabíjení nebo nabíjení mimo dovoleného tepelného pásma může akumulátor zničit a zvýšit nebezpečí požáru.

25.7 Servis

- a) **Elektrický stroj nechávejte opravovat pouze kvalifikovaným odborným personálem a pouze za použití originálních náhradních dílů.** Tím je zajištěno, že bezpečnost elektrického stroje zůstane zachována.
- b) **Neprovádějte nikdy údržbu poškozeného akumulátoru.** Veškeré údržbářské úkony na akumulátorech by měly být prováděny pouze výrobcem nebo zplnomocněnými servisními dílnami.

Tartalomjegyzék

1	Előszó	250	7	Fásszárúnövény-vágó összeszerelése	266
2	Erre a használati útmutatóra vonatkozó információk	250	7.1	A vezetőlemez és a fűrészlánc le-és felszerelése	266
2.1	Vonatkozó dokumentumok	250	7.2	A fűrészlánc megfeszítése	267
2.2	A figyelmeztetések jelölése a szövegben	250	7.3	Fűrészlánc kenése	268
2.3	Szimbólumok a szövegben	250	8	Az akku behelyezése és kivevése	268
3	Áttekintés	251	8.1	Az akkumulátor behelyezése	268
3.1	A fásszárúnövény-vágó, az akkumulátor és a töltőkészülék	251	8.2	Az akkumulátor kivétele	268
3.2	Szimbólumok	252	9	A fásszárúnövény-vágó bekapcsolása és kikapcsolása	269
4	Biztonsági tudnivalók	253	9.1	Fásszárúnövény-vágó bekapcsolása	269
4.1	Figyelmeztető szimbólumok	253	9.2	Fásszárúnövény-vágó kikapcsolása	269
4.2	Rendeltetésszerű használat	253	10	A fásszárúnövény-vágó és az akkumulátor ellenőrzése	269
4.3	A felhasználóval szemben támasztott követelmények	254	10.1	A lánckerék ellenőrzése	269
4.4	Ruházat és felszerelés	255	10.2	A vezetőlemez ellenőrzése	269
4.5	Munkaterületet és környezet	255	10.3	A fűrészlánc ellenőrzése	270
4.6	Biztonságos állapot	257	10.4	Védőburkolat ellenőrzése	270
4.7	Munkálatok	259	10.5	Kezelőelemek vizsgálata	271
4.8	Visszaható erők	260	10.6	Az akkumulátor vizsgálata	271
4.9	Töltés	260	11	A fásszárúnövény-vágóval való munkavégzés	271
4.10	Elektromos csatlakoztatás	260	11.1	A fásszárúnövény-vágó tartása és vezetése	271
4.11	Szállítás	262	11.2	Vágás	271
4.12	Tárolás	263	12	Munka után	272
4.13	Tisztítás, karbantartás és javítás	264	12.1	Munkavégzés után	272
5	Fásszárúnövény-vágó felkészítése a használatra	264	13	Szállítás	272
5.1	Fásszárúnövény-vágó felkészítése a használatra	264	13.1	A fásszárúnövény-vágó szállítása	272
6	Akku töltés és LED-ek	265	13.2	Az akkumulátor szállítása	272
6.1	A töltőkészülék falra szerelése	265	13.3	Töltőkészülék szállítása	273
6.2	Az akkumulátor feltöltése	265	14	Tárolás	273
6.3	A töltési állapot kijelzése	266	14.1	Fásszárúnövény-vágó tárolása	273
6.4	LED-ek a fásszárúnövény-vágón	266	14.2	Akkumulátor tárolása	273
6.5	A töltőkészüléken lévő LED-ek	266	14.3	A töltőkészülék tárolása	273
			15	Tisztítás	274

Ez a használati utasítás szerzői jogvédelem alatt áll. Minden jog fenntartva, különös tekintettel a sokszorosításra, a fordításra és az elektronikus rendszerekben történő feldolgozásra.

15.1 Fásszárúnövény-vágó tisztítása	274	24.4 Személyi biztonság	284
15.2 A vezetőlemez és a fűrészlánc tisztítása	274	24.5 Az elektromos szerszám használata és kezelése ..	284
15.3 Az akku tisztítása	274	24.6 Az akkumulátoros szerszám használata és kezelése	285
15.4 A töltőkészülék tisztítása	274	24.7 Szerviz	285
16 Karbantartás	274		
16.1 A fűrészlánc élezése	274		
17 Javítás	275		
17.1 A fásszárúnövény-vágó, az akkumulátor és a töltőkészülék javítása	275		
18 Hibaelhárítás	276		
18.1 A fásszárúnövény-vágó vagy az akkumulátor üzemzavarainak elhárítása	276		
18.2 A töltőkészülék üzemzavarainak elhárítása	277		
19 Műszaki adatok	279		
19.1 Fásszárúnövény-vágó STIHL GTA 26	279		
19.2 Lánckerekek	279		
19.3 A vezetőlemezek minimális horonymélysége	279		
19.4 Akkumulátor STIHL AS	279		
19.5 Töltőkészülék STIHL AL 1	279		
19.6 Hosszabbítóvezetékek	279		
19.7 Zaj- és rezgésértékek	279		
19.8 REACH	280		
20 Vezetőlemezek és fűrészláncok kombinációi	281		
20.1 Fásszárúnövény-vágó STIHL GTA 26	281		
21 Pótalkatrészek és tartozékok	282		
21.1 Pótalkatrészek és tartozékok	282		
22 Ártalmatlanítás	282		
22.1 A fásszárúnövény-vágó, az akkumulátor és a töltőkészülék kezelése hulladékként	282		
23 EK Megfelelőségi nyilatkozat	282		
23.1 Fásszárúnövény-vágó STIHL GTA 26	282		
23.2 STIHL AL 1 töltőkészülék megfelelőségével kapcsolatos információk	283		
24 Általános biztonsági előírások az elektromos szerszámokhoz	283		
24.1 Bevezető	283		
24.2 Munkaterületi biztonság	283		
24.3 Elektromos biztonság	283		

1 Előszó

Tisztelt Vásárlónk!

Örömkre szolgál, hogy STIHL-termék mellett döntött. Termékeink fejlesztése és gyártása csúcsmínőségben történik, ügyfeleink szükségleteinek megfelelően. Így magas megbízhatóságú termékek jönnek létre, amelyek az extrém igénybevétel próbáját is kiállják.

A STIHL a szervizelés terén is csúcsmínőséget nyújt Önnek. Márkaszervizeink szakértő tanácsadást és betanítást, valamint átfogó műszaki segítséget nyújtanak.

Köszönjük bizalmát és sok örömet kívánunk a STIHL-termékek használatához.



Dr. Nikolas Stihl

FONTOS! HASZNÁLAT ELŐTT OLVASSA EL ÉS ÓRIZZÉ MEG.

2 Erre a használati útmutatóra vonatkozó információk

2.1 Vonatkozó dokumentumok

A helyi biztonsági előírások érvényesek.

- ▶ A jelen használati utasításon túl olvassa el, értse meg és tartsa meg az alábbi dokumentumokat is:
 - A STIHL Multioil Bio univerzális olajra vonatkozó információ: www.stihl.com/safety-data-sheets
 - Biztonsági információk, a beépített akkumulátorral ellátott STIHL termékekre és akkumulátorokra vonatkozóan: www.stihl.com/safety-data-sheets

2.2 A figyelmeztetések jelölése a szövegben



VESZÉLY

Olyan veszélyekre utal, amelyek súlyos sérüléseket vagy halált okozhatnak.

- ▶ A megnevezett intézkedésekkel súlyos sérülések vagy halál kerülhető el.



FIGYELMEZTETÉS

Olyan veszélyekre utal, amelyek súlyos sérüléseket vagy halált **okozhatnak**.

- ▶ A megnevezett intézkedésekkel súlyos sérülések vagy halál kerülhető el.

TUDNIVALÓ

Olyan veszélyekre utal, amelyek anyagi károkat okozhatnak.

- ▶ A megnevezett intézkedésekkel anyagi károk kerülhetők el.

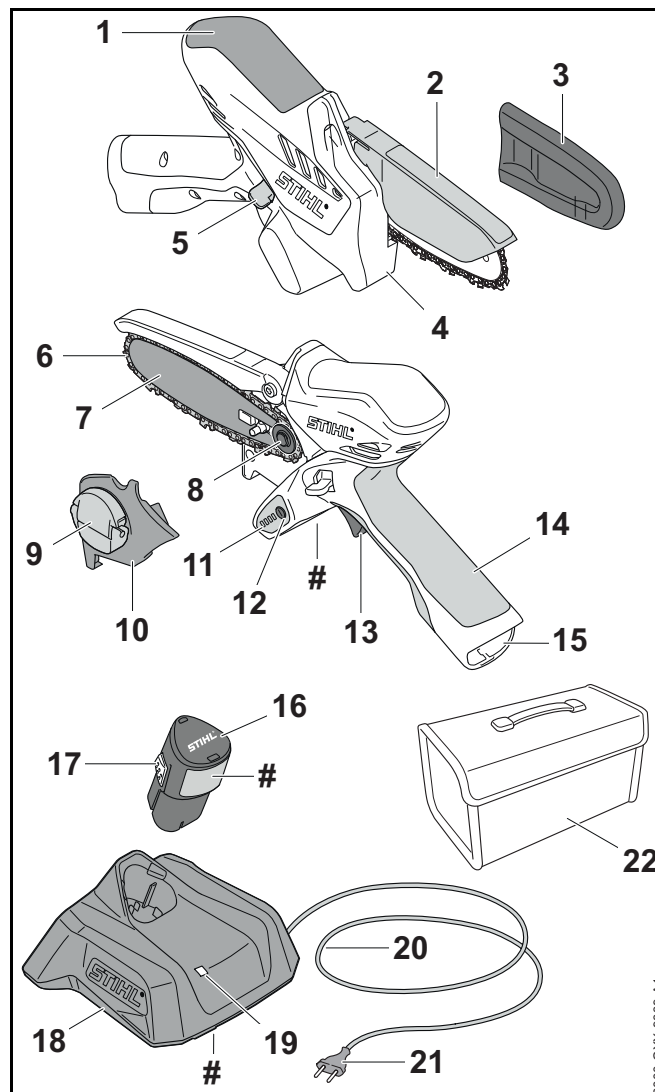
2.3 Szimbólumok a szövegben



Ez a szimbólum a használati útmutató egyik fejezetére utal.

3 Áttekintés

3.1 A fásszárúnövény-vágó, az akkumulátor és a töltőkészülék



1 Fogantyúrész

A fogantyúrész a fásszárúnövény-vágó tartására és vezetésére szolgál.

2 Védőburkolat

A védőburkolat megvéd a fűrészláncsal történő érintkezéstől.

3 Láncvédő

A láncvédő megvéd a fűrészláncsal történő érintkezéstől.

4 Ütköző

Az ütközővel támasztható meg a fásszárúnövény-vágó a fánál.

5 Záremeltyű

A záremeltyű kireteszeli a kapcsolóemeltyűt.

6 Fűrészlánc

A fűrészlánc elvágja a fát.

7 Vezetőlemez

A vezetőlemez vezeti a fűrészláncot.

8 Lánckerék

A lánckerék hajtja meg a fűrészláncot.

9 Szárnyas anya

A szárnyas anya rögzíti a lánckerékfedelet a fásszárúnövény-vágóhoz.

10 Lánckerékfedél

A lánckerékfedél lefedi a lánckereket és rögzíti a vezetőlemezt a fásszárúnövény-vágóhoz.

11 LED-ek

A LED-ek az akkumulátor töltési állapotát és üzemzavarokat jeleznek ki.

12 Nyomógomb

A fásszárúnövény-vágón lévő LED-eket a nyomógomb aktiválja.

13 Kapcsolóemeltyű

A kapcsolóemeltyű be- és kikapcsolja a fásszárúnövény-vágót.

14 Kezelőfogantyú

A kezelőfogantyú a fásszárúnövény-vágó kezelésére, tartására és vezetésére szolgál.

15 Akkumulátorüreg

Az akkumulátorüreg befogadja az akkumulátort.

16 Akkumulátor

Az akkumulátor látja el a fásszárúnövény-vágót energiával.

17 Bekattanó horog

A bekattanó horog tartja az akkumulátort az akkumulátorüregben.

18 Töltőkészülék

A töltőkészülék tölti az akkumulátort.

19 LED

A LED a töltőkészülék állapotát jelzi.

20 Csatlakozóvezeték

A csatlakozóvezeték köti össze a töltőkészüléket a hálózati csatlakozóval.

21 Hálózati csatlakozódugó

A hálózati csatlakozódugó köti össze a csatlakozóvezeték egy konnektorral.

22 Táská

A táská a fásszárúnövény-vágó, az akkumulátor és a töltőkészülék szállítására és tárolására szolgál. A táskát csak a készlet szállítási csomagja tartalmazza (amely fásszárúnövény-vágóból, akkumulátorból és töltőkészülékből áll).

Teljesítménytábla a gépszámmal**3.2 Szimbólumok**

A fásszárúnövény-vágón, az akkumulátoron és a töltőkészüléken lévő figyelmeztető szimbólumok jelentése:



Ez a szimbólum megmutatja a fűrészlánc haladási irányát.



A LED zölden világít vagy villog. Az akkumulátor töltődik.



A LED pirosan villog. Az akkumulátor és a töltőkészülék között nincs elektromos érintkezés, vagy az akkumulátorban vagy a töltőkészülékben zavar lépett fel.



Az alkalmazásra engedélyezett vezetőlemez hossza.



LWA Garantált zajteljesítményszint dB(A)-ban a 2000/14/EK irányelv szerint, a termékek zajkibocsátásának összehasonlíthatóságához.



A szimbólum mellett látható adat az akkumulátornak a cellagyártó specifikációja szerinti energiatartalmára utal. Az alkalmazás során rendelkezésre álló energiatartalom csekélyebb.



Az elektromos készüléket zárt és száraz helyiségben működtesse.



A terméket ne dobja a háztartási szemétkébe.



Olvassa el, értse meg, és tartsa meg a használati utasítást.

4 Biztonsági tudnivalók

4.1 Figyelmeztető szimbólumok

A fászfűrészvágón, az akkun vagy a töltőkészüléken lévő figyelmeztető szimbólumok jelentése:



Tartsa be a biztonsági előírásokat és azok intézkedéseit.



Olvassa el, értse meg, és tartsa meg a használati utasítást.



Viseljen védőszemüveget.



Fogja két kézzel a fászfűrészvágót.



Ne érintse meg a mozgó fűrészláncot.



A munka megszakításakor, szállításakor, tárolás, karbantartás vagy javítás esetén vegye ki az akkumulátort.



Óvja a fászfűrészvágót és a töltőkészüléket az esővíztől és nedvességtől.



Óvja az akkumulátort nyílt lángtól és hőtől.



Óvja az akkumulátort esőtől és nedvességtől, valamint ne mártsa semmilyen folyadékba.

4.2 Rendeltetésszerű használat

A STIHL GTA 26 fászfűrészvágó fa vágására szolgál.

A fászfűrészvágót esőben tilos használni.

A STIHL AS akkumulátor látja el a fászfűrészvágót energiával.

A STIHL AL 1 töltőkészülék tölti a STIHL AS akkumulátort.

▲ FIGYELMEZTETÉS

- A STIHL által a fásszárúnövény-vágóhoz nem engedélyezett akkumulátorok és töltőkészülékek tüzet és robbanásokat okozhatnak. Súlyos vagy halálos személyi sérülések és anyagi károk következhetnek be.
 - ▶ A fásszárúnövény-vágót STIHL AS akkumulátorral használja.
 - ▶ A STIHL AS akkumulátort STIHL AL 1 töltőkészülékkel töltsé.
- Amennyiben a fásszárúnövény-vágót, az akkumulátort vagy a töltőkészüléket nem rendeltetés szerint használják, súlyos személyi sérülések vagy halál, és anyagi károk keletkezhetnek.
 - ▶ A fásszárúnövény-vágót, az akkumulátort és a töltőkészüléket a jelen használati utasításban leírt módon használja.

4.3 A felhasználóval szemben támasztott követelmények

▲ FIGYELMEZTETÉS

- A felhasználók betanítás nélkül nem tudják a fásszárúnövény-vágó, az akkumulátorok és a töltőkészülék veszélyeit felismerni vagy felbecsülni. A felhasználó vagy más személyek súlyos személyi sérüléseket szenvedhetnek el vagy meg is halhatnak.



- ▶ Olvassa el, értse meg, és tartsa meg a használati utasítást.

- ▶ Amennyiben a fásszárúnövény-vágót, az akkumulátort vagy a töltőkészüléket továbbadja más személynek: Adja át vele együtt a használati utasítást is.

- ▶ Bizonyosodjon meg arról, hogy a felhasználó megfelel a következő követelményeknek:
 - A felhasználó kipihent.
 - A felhasználó fizikailag, érzékszervileg és szellemi képességeinél fogva képes a fásszárúnövény-vágót, az akkumulátort és a töltőkészüléket kezelni és azzal dolgozni. Amennyiben a felhasználó fizikai, érzékszervi vagy szellemi képességeinél fogva korlátozottan képes erre, a felhasználó csak felügyelet mellett vagy egy felelős személy utasításai szerint dolgozhat a berendezéssel.
 - A felhasználó képes felismerni és felbecsülni a fásszárúnövény-vágó, az akkumulátor és a töltőkészülék veszélyeit.
 - A felhasználó nagykorú vagy a felhasználó a nemzeti jogszabályok szerint felügyelet mellett képzést fog kapni a szakmára.
 - A felhasználó részesült STIHL márkaszakszerviz vagy szakértő személy általi oktatásban, mielőtt először dolgozna a fásszárúnövény-vágóval vagy használná a töltőkészüléket.
 - A felhasználó nem áll alkohol, orvosságok vagy drogok hatása alatt.
- ▶ Amennyiben bizonytalanságok merülnének fel: Forduljon STIHL márkaszervizhez.

4.4 Ruházat és felszerelés

▲ FIGYELMEZTETÉS

- Munkavégzés közben a hosszú haj becsípődhet a fásszárúnövénny-vágóba. A felhasználó súlyos sérülést szenvedhet.
 - ▶ A hosszú haját úgy kösse össze és úgy rögzítse, hogy az a váll felett legyen.
- A munkavégzés során a tárgyak nagy sebességgel repülhetnek fel. A kezelő megsérülhet.



- ▶ Viseljen szorosan illeszkedő védőszemüveget. A megfelelő védőszemüvegeket az EN 166 szabvány szerint vagy a nemzeti előírásoknak megfelelően bevizsgálják, és a megfelelő jelöléssel ellátva kaphatók a boltban.
- ▶ Viseljen hosszú nadrágot.
- A leeső tárgyak fejsérüléseket okozhatnak.
 - ▶ Ha munka közben tárgyak zuhanhatnak le: Viseljen védősisakot.
- Munkavégzés közben por kavarodhat fel. A belélegzett por károsíthatja az egészséget és allergiás reakciókat válthat ki.
 - ▶ Ha por keveredik fel: Viseljen porvédőmaszkot.
- A nem megfelelő ruházat beakadhat fába, bozótba és a fásszárúnövénny-vágóba. A nem megfelelő ruházatot viselő kezelők súlyosan megsérülhetnek.
 - ▶ Viseljen testhez simuló ruházatot.
 - ▶ Vegye le a sálakat és az ékszereket.
- A felhasználó munka közben megvághatja magát a fával. Tisztítás vagy karbantartás közben a felhasználó hozzáérhet a fűrészlánchoz. A kezelő megsérülhet.
 - ▶ Viseljen ellenálló anyagú munkakesztyűt.
- Ha a kezelő nem megfelelő lábbelit visel, elcsúszhat. A kezelő megsérülhet.
 - ▶ Viseljen kemény, zárt lábbelit recézett talppal.

4.5 Munkaterületet és környezet

4.5.1 Fásszárúnövénny-vágó

▲ FIGYELMEZTETÉS

- A beavatatlan személyek, a gyermekek és állatok nem tudják a fásszárúnövénny-vágó és a felrepített tárgyak veszélyeit felismerni és felbecsülni. A beavatatlan személyek, a gyermekek és állatok súlyosan megsérülhetnek és anyagi károk keletkezhetnek.
 - ▶ A beavatatlan személyeket, gyermekeket és állatokat tartsa távol a munkaterülettől.
 - ▶ A fásszárúnövénny-vágót ne hagyja felügyelet nélkül.
 - ▶ Biztosítsa, hogy gyermekek ne tudjanak a fásszárúnövénny-vágóval játszani.
- A fásszárúnövénny-vágó nem vízálló. Amennyiben esőben vagy nedves környezetben dolgozik, áramütés következhet be. A kezelő megsérülhet és a fásszárúnövénny-vágó károsodhat.



- ▶ Ne dolgozzon esőben vagy nedves környezetben.
- A fásszárúnövénny-vágó elektromos alkatrészei szikrákat gerjeszhetnek. A szikrák gyúlékony vagy robbanékony környezetben tűzvészeket és robbanásokat okozhatnak. Súlyos vagy halálos személyi sérülések és anyagi károk következhetnek be.
 - ▶ Ne dolgozzon gyúlékony vagy robbanékony környezetben.

4.5.2 Akkumulátor

▲ FIGYELMEZTETÉS

- A beavatatlan személyek, a gyermekek és állatok nem tudják az akkumulátor veszélyeit felismerni és felbecsülni. A beavatatlan személyek, gyermekek és állatok súlyosan megsérülhetnek.
 - ▶ A beavatatlan személyeket, gyermekeket és állatokat tartsa távol.
 - ▶ Ne hagyja őrizetlenül az akkumulátort.
 - ▶ Biztosítsa, hogy gyermekek ne tudjanak az akkumulátorral játszani.
- Az akkumulátor nincs védve az összes környezeti hatás ellen. Amennyiben az akkumulátort kitesszük bizonyos környezeti hatásoknak, az akkumulátor tüzet foghat vagy felrobbanhat. Súlyos személyi sérülések és anyagi károk keletkezhetnek.



- ▶ Óvja az akkumulátort nyílt lángtól és hőtől.
- ▶ Az akkumulátort ne dobja tűzbe.



- ▶ Az akkumulátort - 20 °C és + 50 °C közötti hőmérsékleti tartományban használja és tárolja.
- ▶ Óvja az akkumulátort esőtől és nedvességtől, valamint ne mártsa semmilyen folyadékba.
- ▶ Tartsa távol az akkumulátort a fém tárgyaktól.
- ▶ Az akkumulátort ne tegye ki magas nyomásnak.
- ▶ Az akkumulátort ne tegye ki mikrohullámú sugárzásnak.
- ▶ Óvja az akkumulátort a vegyszerektől és sóktól.

4.5.3 Töltőkészülék

▲ FIGYELMEZTETÉS

- A beavatatlan személyek, gyermekek nem tudják a töltőkészülék és az elektromos áram veszélyeit felismerni és felbecsülni. A beavatatlan személyek, gyermekek és állatok súlyosan megsérülhetnek vagy meghalhatnak.
 - ▶ A beavatatlan személyeket, gyermekeket és állatokat tartsa távol.
- ▶ Gondoskodjon róla, hogy a gyermekek ne tudjanak a töltőkészülékkel játszani.
- A töltőkészülék nem vízálló. Amennyiben esőben vagy nedves környezetben dolgozik, áramütés következhet be. A kezelő megsérülhet és a töltőkészülék károsodhat.



- ▶ Ne működtesse esőben vagy nedves környezetben.

- A töltőkészülék nincs védve az összes környezeti hatás ellen. Amennyiben a töltőkészüléket kitesszük bizonyos környezeti hatásoknak, a töltőkészülék tüzet foghat vagy felrobbanhat. Súlyos személyi sérülések és anyagi károk keletkezhetnek.
 - ▶ A töltőkészüléket zárt és száraz helyiségben működtesse.
 - ▶ Ne használja a töltőkészüléket gyúlékony vagy robbanékony környezetben.
 - ▶ Ne működtesse a töltőkészüléket gyúlékony alapzaton.
 - ▶ A töltőkészüléket - 20 °C és + 50 °C közötti hőmérsékleti tartományban használja és tárolja.
- Az emberek a csatlakozóvezetékben meg tudnak botlani. Személyi sérülések keletkezhetnek, és a töltőkészülék megrongálódhat.
 - ▶ A csatlakozóvezetéket szorosan a talajhoz simítva fektesse le.

4.6 Biztonságos állapot

4.6.1 Fásszárúnövénny-vágó

A fásszárúnövénny-vágó akkor van biztonságos állapotban, amikor a következő feltételek teljesülnek:

- A fásszárúnövénny-vágó sérülésmentes.
- A fásszárúnövénny-vágó tiszta és száraz.
- A védőburkolat fel van szerelve.
- A védőburkolat sérülésmentes és nem változtatták meg.
- A kezelőelemek működnek és nincsenek módosítva.
- A fűrészlánc meg van kenve.
- A kopásnyomok a lánckeréken nem mélyebbek 0,5 mm-nél.
- Egy ebben a használati utasításban megadott vezetőlemez és fűrészlánc kombináció van beszerelve.
- A vezetőlemez és a fűrészlánc szakszerűen van beszerelve.
- A fűrészlánc helyesen van megfeszítve.
- Kizárólag ehhez a fásszárúnövénny-vágóhoz illő, eredeti STIHL tartozék van rászelve.
- A tartozék megfelelően van beszerelve.


▲ FIGYELMEZTETÉS

- Nem biztonságos állapotban az alkatrészek nem működnek megfelelően, és a biztonsági berendezések hatástalanná válnak. Súlyos vagy halálos személyi sérülések keletkezhetnek.
 - ▶ Sérülésmentes fásszárúnövénny-vágóval dolgozzon.
 - ▶ Ha a fásszárúnövénny-vágó bepiszkolódott vagy nedves: Tisztítsa meg és hagyja megszáradni a fásszárúnövénny-vágót.
 - ▶ Ne módosítsa a fásszárúnövénny-vágót. Kivétel: Egy ebben a használati útmutatóban megadott vezetőlemez és fűrészlánc kombináció beszerelése.
 - ▶ A fásszárúnövénny-vágót csak felszerelt védőburkolattal használja.

- ▶ Amennyiben a védőburkolat károsodott vagy megváltoztatták: Ne dolgozzon a fásszárúnövénny-vágóval.
- ▶ Amennyiben a kezelőelemek nem működnek: Ne dolgozzon a fásszárúnövénny-vágóval.
- ▶ Kizárólag ehhez a fásszárúnövénny-vágóhoz illő eredeti STIHL tartozékot szereljen fel.
- ▶ A vezetőlemez és a fűrészláncot a jelen használati utasításban leírt módon szerelje fel.
- ▶ A tartozékot a jelen használati utasításban vagy a tartozék használati utasításában leírt módon szerelje fel.
- ▶ Ne dugjon tárgyakat a fásszárúnövénny-vágó nyílásaiba.
- ▶ Az elhasználdott vagy megrongálódott táblákat ki kell cserélni.
- ▶ Amennyiben bizonytalanságok merülnének fel: Forduljon STIHL márkaszervizhez.

4.6.2 Vezetőlemez

A vezetőlemez akkor van biztonságos állapotban, amikor a következő feltételek teljesülnek:

- A vezetőlemezen nincs sérülés.
- A vezetőlemez nincs eldeformálódva.
- A horony mélysége megegyezik a horony minimális mélységével, vagy meghaladja azt,  19.3.
- A horony nem szűkült be és nem terült szét.

▲ FIGYELMEZTETÉS

- Biztonságtechnikai szempontból kifogásolható állapotban a vezetőlemez nem tudja a fűrészláncot helyesen vezetni. A forgó fűrészlánc leugorhat a vezetőlemezzel. Súlyos vagy halálos személyi sérülések következhetnek be.
 - ▶ Sérülésmentes vezetőlemezzel dolgozzon.
 - ▶ Ha a horony mélysége nem éri el a minimális értéket: Cserélje ki a vezetőlemez.

- ▶ Amennyiben bizonytalanságok merülnének fel: Forduljon STIHL márkaszervizhez.

4.6.3 Fűrészlánc

A fűrészlánc akkor van biztonságos állapotban, amikor a következő feltételek teljesülnek:

- A fűrészláncon nincsenek sérülések.
- A fűrészlánc élezése megfelelő.
- A vágófogakon lévő kopásjelölések láthatóak.

▲ FIGYELMEZTETÉS

- Nem biztonságos állapotban az alkatrészek nem működnek megfelelően, és a biztonsági berendezések hatástalanná válnak. Súlyos vagy halálos személyi sérülések következhetnek be.
 - ▶ Ne dolgozzon sérült fűrészláncsal.
 - ▶ Szakszerűen élezze meg a fűrészláncot.
 - ▶ Amennyiben bizonytalanságok merülnének fel: Forduljon STIHL márkaszervizhez.

4.6.4 Akkumulátor

Az akkumulátor akkor van biztonsági szempontból megfelelő állapotban, ha teljesülnek az alábbi feltételek:

- Az akkumulátor sérülésmentes.
- Az akkumulátor tiszta és száraz.
- Az akkumulátor működőképés és nem alakították át.

▲ FIGYELMEZTETÉS

- Az akkumulátor csak üzembiztos állapotban működtethető biztonságosan. Ellenkező esetben súlyos személyi sérülések következhetnek be.
 - ▶ Kizárólag sérülésmentes és működőképés akkumulátorral dolgozzunk.
 - ▶ Ne töltsünk sérült vagy meghibásodott akkumulátort.
 - ▶ Ha az akkumulátor beszenyveződött vagy átnedvesedett, tisztítsuk meg, majd hagyjuk kiszáradni.

- ▶ Tilos átalakítani az akkumulátort.
- ▶ Ne helyezünk tárgyakat az akkumulátor nyílásaiba.
- ▶ Soha ne kössük össze az akkumulátor elektromos érintkezőit fémtárggyal, rövidzárlatot okozva ezzel.
- ▶ Ne bontsuk meg az akkumulátort.
- ▶ Az elhasználódott vagy sérült tájékoztató táblákat ki kell cserélni.
- A sérült akkumulátorból folyadék folyhat ki. A bőrre vagy szembe kerülő folyadék bőr-, illetve szemirritációt okozhat.
 - ▶ Kerüljük az érintkezést a folyadékkal.
 - ▶ Ha a folyadék a bőrre kerül, mossuk le bő vízzel és szappannal az érintett bőrfelületet.
 - ▶ Ha a folyadék szembe kerül, legalább 15 percen keresztül öblítsük a szemet bő vízzel, és orvoshoz kell fordulni.
- Az akkumulátor sérülése vagy meghibásodása esetén szokatlan szag vagy füst, illetve tűz keletkezhet. Ez súlyos vagy halálos személyi sérülésekhez, illetve anyagi károkhoz vezethet.
 - ▶ Ha az akkumulátor környezetében szokatlan szag vagy füst képződik, ne használjuk az akkumulátort, és távolítsuk el a környezetéből az éghető anyagokat.
 - ▶ Ha az akkumulátor lángra kap, kíséreljük meg tűzoltókészülékkel vagy vízzel eloltani a tüzet.

4.6.5 Töltőkészülék

A töltőkészülék akkor van biztonságos állapotban, amikor a következő feltételek teljesülnek:

- A töltőkészülék sértetlen.
- A töltőkészülék tiszta és száraz.

▲ FIGYELMEZTETÉS

- Nem biztonságos állapotban az alkatrészek nem működnek megfelelően, és a biztonsági berendezések hatástalanná válnak. Súlyos vagy halálos személyi sérülések következhetnek be.
 - ▶ Használjon sérülésmentes töltőkészüléket.
 - ▶ Amennyiben a töltőkészülék bepiszkolódott vagy nedves: Tisztítsa meg és hagyja megszáradni a töltőkészüléket.
 - ▶ Ne módosítsa a töltőkészüléket.
 - ▶ Ne dugjon tárgyakat a töltőkészülék nyílásaiba.
 - ▶ A töltőkészülék elektromos érintkezőit ne kösse össze fém tárgyakkal és ne zárja rövidre.
 - ▶ A töltőkészüléket nem szabad felnyitni.

4.7 Munkálatok

▲ FIGYELMEZTETÉS

- Amennyiben a munkaterületen kívül nem tartózkodnak mások hallótávolságon belül, vész helyzetben nem tudnak Önnek segítséget nyújtani.
 - ▶ Biztosítsa, hogy valaki tartózkodjon a munkaterületen kívül, hallótávolságon belül.
- A kezelő bizonyos helyzetekben nem tud koncentrált odafigyeléssel tovább dolgozni. A felhasználó elveszítheti az uralmát a fásszárúnövény-vágó felett, megbotolhat, eleshet és súlyosan megsérülhet.
 - ▶ Dolgozzon nyugodtan és meggondoltan.
 - ▶ Amennyiben a fény- és látásviszonyok gyengék: Ne dolgozzon a fásszárúnövény-vágóval.
 - ▶ Egyedül kezelje a fásszárúnövény-vágót.
 - ▶ Vállmagasság felett dolgozni tilos.
 - ▶ Ügyeljen az akadályokra.
 - ▶ A talajon állva dolgozzon és tartsa meg egyensúlyát. Ha a magasban kell dolgoznia: Használjon emelő munkaállványt vagy biztonságos állványzatot.
- ▶ Ha fáradtság jelei jelentkeznek: Iktasson be egy szünetet.
- A forgó fűrészlánc vágási sérüléseket okozhat a felhasználónak. A kezelő súlyos sérülést szenvedhet.
 - ▶ Ne érintse meg a körbefutó fűrészláncot.
 - ▶ Amennyiben a fűrészláncot tárgy akadályozza: Kapcsolja ki a fásszárúnövény-vágót és vegye ki az akkumulátort. Csak ezután távolítsa el a tárgyat.
- A forgó fűrészlánc felforrósodik és kitágul. Ha a fűrészlánc kenése nem megfelelő és nincs megfelelően utánfeszítve, akkor a fűrészlánc leugorhat a vezetőlemezről, vagy elszakadhat. Súlyos személyi sérülések és anyagi károk keletkezhetnek.
 - ▶ Használjon STIHL Multioil Bio univerzális olajat vagy egy hasonló, biológiailag lebomló univerzális olajat.
 - ▶ Munkavégzés közben minden egyes akkumulátortöltés után kenje meg a fűrészláncot.
 - ▶ Munka közben rendszeresen ellenőrizze a fűrészlánc feszességét. Ha nem feszül eléggé a fűrészlánc: Feszítse meg a fűrészláncot.
- Munkavégzés közben a vezetőlemez, a fűrészlánc és a lánckerék felforrósodhat. A kezelő megégetheti magát.
 - ▶ Ne érjen hozzá a forró vezetőlemezhez, fűrészláncához vagy lánckerékhez.
 - ▶ Várja meg, hogy a vezetőlemez, a fűrészlánc és a lánckerék lehűljön.
 - ▶ Viseljen ellenálló anyagú munkakesztyűt.
- Amennyiben a fásszárúnövény-vágó munkavégzés közben változik vagy szokatlanul viselkedik, előfordulhat, hogy a fásszárúnövény-vágó nincs biztonságos állapotban. Súlyos személyi sérülések és anyagi károk keletkezhetnek.
 - ▶ Hagyja abba a munkát, vegye ki az akkumulátort és forduljon STIHL márkaszervizhez.
- Munkavégzés közben a fásszárúnövény-vágó rezgéseket generálhat.
 - ▶ Viseljen kesztyűt.
 - ▶ Tartson munkaközi szüneteket.

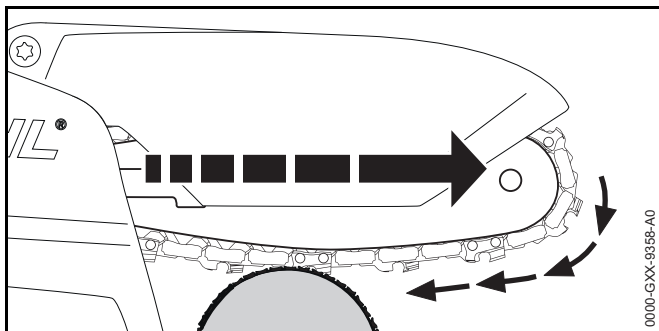
- ▶ Amennyiben vérkeringési zavarok tünetei jelentkeznek: Forduljon orvoshoz.
- Ha a forgó fűrészlánc kemény tárgyat ér, szikrák keletkezhetnek. A szikrák gyúlékony környezetben tüzet okozhatnak. Súlyos vagy halálos személyi sérülések és anyagi károk következhetnek be.
 - ▶ Ne dolgozzon gyúlékony környezetben.
- Ha elengedi a kapcsolóemelőt, egy rövid ideig még tovább fut a fűrészlánc. A mozgó fűrészlánc vágásos személyi sérülést okozhat. Súlyos személyi sérülések következhetnek be.
 - ▶ Várja meg, amíg leáll a fűrészlánc.

⚠ VESZÉLY

- Amennyiben feszültségvezető vezetékek közelében dolgozik, a fűrészlánc hozzáérhet a feszültségvezető vezetékekhez, és megsértheti azokat. A felhasználó súlyos vagy halálos sérülést szenvedhet.
 - ▶ Ne dolgozzon feszültségvezető vezetékek közelében.

4.8 Visszaható erő

4.8.1 Visszaható erő



Ha a vezetőlemez alsó oldalával dolgozik, akkor a fásszárúnövénny-vágó a felhasználótól távolodó irányba fog húzni.

⚠ FIGYELMEZTETÉS

- Ha a forgó fűrészlánc kemény tárgyba ütközik, és az gyorsan lefékeződik, a fásszárúnövénny-vágó hirtelen a felhasználótól távolodó irányba fog húzni. Személyi sérülések keletkezhetnek.
 - ▶ Fogja két kézzel a fásszárúnövénny-vágót.
 - ▶ A használati utasításban leírt módon dolgozzon.
 - ▶ Felszerelt védőburkolattal dolgozzon.
 - ▶ Sérülésmentes és módosítás nélküli védőburkolattal dolgozzon.
 - ▶ Megfelelően megélezett és megfeszített fűrészláncsal dolgozzon.
 - ▶ A vezetőlemezt egyenesen vezesse a vágásban.
 - ▶ Az ütközőt helyezze megfelelően.
 - ▶ Teljes gázzal dolgozzon.

4.9 Töltés

⚠ FIGYELMEZTETÉS

- Töltés közben egy sérült vagy hibás töltőkészülék szokatlan szagot vagy füstöt bocsáthat ki. Személyi sérülések és anyagi károk keletkezhetnek.
 - ▶ A hálózati csatlakozót húzza ki a konnektorból.
- A töltőkészülék elégtelen hőelvezetés esetén túlmelegedhet és tüzet okozhat. Súlyos személyi sérülések, vagy halál következhetnek be, és anyagi károk keletkezhetnek.
 - ▶ Ne takarja le a töltőkészüléket.

4.10 Elektromos csatlakoztatás

Az áramvezető alkatrészekkel történő érintkezés a következő okokból jöhet létre:

- A csatlakozóvezeték vagy a hosszabbítóvezeték megsérült.
- A csatlakozóvezeték vagy a hosszabbítóvezeték hálózati csatlakozódugója megsérült.


- A konnektor nincs megfelelően beszerelve.

▲ VESZÉLY

- Az áramvezető alkatrészekkel való érintkezés áramütéshez vezethet. A felhasználó súlyos vagy halálos sérülést szenvedhet.
 - ▶ Biztosítsa, hogy a csatlakozóvezetékek, a hosszabbítóvezetékek és annak hálózati csatlakozódugói sértetlenek legyenek.



Amennyiben a csatlakozóvezetékek vagy a hosszabbítóvezetékek megsérültek:

- ▶ Ne érintse meg a sérülés helyét.
- ▶ Húzza ki a hálózati csatlakozódugót a konnektorból.
- ▶ A csatlakozóvezetéket, a hosszabbítóvezetéket és azok hálózati csatlakozódugóit csak száraz kézzel fogja meg.
- ▶ A csatlakozóvezetékek hálózati csatlakozódugóját vagy a hosszabbítóvezetéket egy védővezetővel ellátott, megfelelően beszerelt és biztosított konnektorba dugja.
- ▶ A töltőkészüléket kioldóáramos hibaáram-védőkapcsolóval (30 mA, 30 ms) csatlakoztassa.
- Sérült vagy nem megfelelő hosszabbítóvezetékek áramütést okozhat. Súlyos vagy halálos személyi sérülések következhetnek be.
 - ▶ Megfelelő átmérőjű hosszabbítóvezetéket használjon,  19.6.

▲ FIGYELMEZTETÉS

- Töltés közben egy nem megfelelő hálózati feszültség vagy frekvencia túlfeszültséget okozhat a töltőkészülékben. A töltőkészülék megrongálódhat.
 - ▶ Győződjön meg arról, hogy az elektromos hálózat hálózati feszültsége és hálózati frekvenciája megegyezik a töltőkészülék teljesítménytábláján lévő adatokkal.
- A tévesen elhelyezett csatlakozóvezetékek és hosszabbítóvezetékek megsérülhetnek, és botlásveszélyt okoz. Személyi sérülések keletkezhetnek, és a csatlakozóvezetékek vagy a hosszabbítóvezetékek megrongálódhatnak.
 - ▶ A csatlakozóvezetéket és a hosszabbítóvezetéket úgy vezesse és jelölje meg, hogy ne lehessen megbotlani bennük.
 - ▶ Úgy fektesse le a csatlakozóvezetéket és a hosszabbítóvezetéket, hogy azok ne feszüljenek és ne gabalyodjanak össze.
 - ▶ A csatlakozóvezetéket és a hosszabbítóvezetéket úgy helyezze el, hogy azok ne sérüljenek, ne törjenek meg, ne akadjanak be, és ne dörzsölődjenek.
 - ▶ Védje a csatlakozóvezetéket és a hosszabbítóvezetéket forróság, olaj és vegyszerek ellen.
 - ▶ A csatlakozóvezetéket és a hosszabbítóvezetéket száraz felületre fektesse.

- Munka közben a hosszabbítóvezeték felmelegszik. Amennyiben a hő nem tud távozni, úgy tüzet okozhat.
 - ▶ Ha kábeldobot használ: Teljesen tekerdse le a kábeldobot.
- Ha elektromos vezetékek és csövek haladnak a falban, a töltőkészülék falra szerelése közben megsértheti ezeket. A elektromos vezetékekkel való érintkezés áramütéshez vezethet. Súlyos személyi sérülések és anyagi károk keletkezhetnek.
 - ▶ Bizonyosodjon meg arról, hogy az arra a célra szánt helyen nem futnak elektromos vezetékek és csövek a falban.
- Amennyiben a töltőkészülék nem a jelen használati utasításban leírt módon van felszerelve a falra, a töltőkészülék vagy az akkumulátor leeshet vagy a töltőkészülék túlhevülhet. Személyi sérülések és anyagi károk keletkezhetnek.
 - ▶ A töltőkészüléket a jelen használati utasításban leírt módon szerelje a falra.
- Amennyiben behelyezett akkumulátorral szerelik fel a falra a töltőkészüléket, az akkumulátor kieshet a töltőkészülékből. Személyi sérülések és anyagi károk keletkezhetnek.
 - ▶ Először szerelje fel a falra a töltőkészüléket, és csak ezután tegye bele az akkumulátort.

4.11 Szállítás

4.11.1 Fásszárúnövény-vágó

▲ FIGYELMEZTETÉS

- A szállítás alatt a fásszárúnövény-vágó felborulhat vagy mozoghat. Személyi sérülések és anyagi károk keletkezhetnek.



- ▶ Vegye ki az akkumulátort.

- ▶ A láncvédőt úgy tolja a vezetőlemeze, hogy az a vezetőlemezt teljesen lefedje.

- ▶ A fásszárúnövény-vágót a készletben található táskában kell szállítani.
- ▶ Amennyiben a szállítási csomag nem tartalmaz táskát: Biztosítsa a fásszárúnövény-vágót feszítőhevederrel, szíjjal vagy egy hálóval úgy, hogy ne tudjon felborulni és mozogni.

4.11.2 Akkumulátor

▲ FIGYELMEZTETÉS

- Az akkumulátor nincs védve az összes környezeti hatás ellen. Amennyiben az akkumulátort kiteszük bizonyos környezeti hatásoknak, az akkumulátor megrongálódhat és anyagi károk következhetnek be.
 - ▶ Ne szállítson sérült akkumulátort.
 - ▶ Az akkumulátort a készletben található táskában kell szállítani.
 - ▶ Amennyiben a szállítási csomag nem tartalmaz táskát: Az akkumulátort egy elektromosan nem vezetőképes csomagolásban szállítsa.
- Szállítás közben az akkumulátor felborulhat vagy mozoghat. Személyi sérülések és anyagi károk keletkezhetnek.
 - ▶ Az akkumulátort úgy csomagolja be, hogy ne mozoghasson.
 - ▶ Úgy biztosítsa ki a csomagot, hogy ne mozoghasson.

4.11.3 Töltőkészülék

▲ FIGYELMEZTETÉS

- Szállítás közben a töltőkészülék felborulhat vagy mozoghat. Személyi sérülések és anyagi károk keletkezhetnek.
 - ▶ Húzza ki a hálózati csatlakozódugót a konnektorból.
 - ▶ Vegye ki az akkumulátort.
 - ▶ A töltőkészüléket a készletben található táskában kell szállítani.

- ▶ Amennyiben a szállítási csomag nem tartalmaz táskát: Biztosítsa a töltőkészüléket feszítőhevederekkel, szíjjal vagy egy hálóval úgy, hogy ne tudjon felborulni vagy mozogni.
- A csatlakozóvezeték nem alkalmas a töltőkészülék szállítására. A csatlakozóvezeték és a töltőkészülék megrongálódhat.
 - ▶ Csavarja fel a csatlakozóvezetékét és rögzítse a töltőkészüléken.

4.12 Tárolás

4.12.1 Fásszárúnövény-vágó

▲ FIGYELMEZTETÉS

- A gyermekek nem tudják a fásszárúnövény-vágó veszélyeit felismerni és felbecsülni. A gyermekek súlyos sérüléseket szenvedhetnek.



- ▶ Vegye ki az akkumulátort.

- ▶ A láncvédőt úgy tolja a vezetőlemezre, hogy az a vezetőlemezt teljesen lefedje.
- ▶ A fásszárúnövény-vágót gyermekek által nem hozzáférhető helyen kell tárolni.
- A fásszárúnövény-vágó elektromos érintkezői és fém alkatrészei nedvesség hatására berozsdásodhatnak. A fásszárúnövény-vágó megsérülhet.



- ▶ Vegye ki az akkumulátort.

- ▶ A fásszárúnövény-vágót tisztán és szárazon tárolja.

4.12.2 Akkumulátor

▲ FIGYELMEZTETÉS

- A gyermekek nem tudják az akkumulátor veszélyeit felismerni és felbecsülni. A gyermekek súlyos sérüléseket szenvedhetnek.
 - ▶ Az akkumulátor gyermekektől távol tartandó.
- Az akkumulátor nincs védve az összes környezeti hatás ellen. Amennyiben az akkumulátort kiteszük bizonyos környezeti hatásoknak, az akkumulátor megrongálódhat.
 - ▶ Az akkumulátort tisztán és szárazon tárolja.
 - ▶ Az akkumulátort zárt helyen tárolja.
 - ▶ Az akkumulátort tárolja külön a fásszárúnövény-vágótól és a töltőkészüléktől.
 - ▶ Az akkumulátort egy elektromosan nem vezetőképes csomagolásban tárolja.
 - ▶ Az akkumulátort - 20 °C és + 70 °C közötti hőmérsékleti tartományban tárolja.

4.12.3 Töltőkészülék

▲ FIGYELMEZTETÉS

- A gyermekek nem tudják a töltőkészülék veszélyeit felismerni és felbecsülni. A gyermekek súlyosan vagy halálosan megsérülhetnek.
 - ▶ Vegye ki az akkumulátort.
 - ▶ A töltőkészüléket gyermekek által nem hozzáférhető helyen kell tárolni.
- A töltőkészülék nincs védve az összes környezeti hatás ellen. Amennyiben a töltőkészüléket kiteszük bizonyos környezeti hatásoknak, a töltőkészülék megrongálódhat.
 - ▶ Vegye ki az akkumulátort.
 - ▶ Amennyiben a töltőkészülék meleg: A töltőkészüléket hagyja lehűlni.
 - ▶ A töltőkészüléket tisztán és szárazon tárolja.
 - ▶ A töltőkészüléket zárt helyen tárolja.

- ▶ A töltőkészüléket - 20 °C és + 70 °C közötti hőmérsékleti tartományban tárolja.
- A csatlakozóvezeték nem alkalmas a töltőkészülék szállítására vagy felakasztására. A csatlakozóvezeték és a töltőkészülék megrongálódhat.
 - ▶ A töltőkészüléket a házánál fogja és tartsa meg. A töltőkészülék könnyebb felemeléséhez a töltőkészüléken van egy fogantyúmélyedés.
 - ▶ A töltőkészüléket a fali tartóra akassza fel.

4.13 Tisztítás, karbantartás és javítás

▲ FIGYELMEZTETÉS

- Amennyiben tisztítás, karbantartás vagy javítás során az akkumulátor be van helyezve, a fásszárúnövény-vágó véletlenül beindulhat. Súlyos személyi sérülések és anyagi károk keletkezhetnek.



- ▶ Vegye ki az akkumulátort.

- A dörzshatású tisztítószer, vízsugárral való tisztítás vagy hegyes tárgyak megrongálhatják a fásszárúnövény-vágót, a vezetőlemezt, a fűrészláncot, az akkumulátort és a töltőkészüléket. Amennyiben a fásszárúnövény-vágót, a vezetőlemezt, a fűrészláncot, az akkumulátort vagy a töltőkészüléket nem megfelelőképpen tisztítják, az alkatrészek nem működnek megfelelően és a biztonsági berendezések hatástalanná válnak. Súlyos személyi sérülések következhetnek be.
 - ▶ A fásszárúnövény-vágót, a vezetőlemezt, a fűrészláncot, az akkumulátort és a töltőkészüléket a jelen használati utasításban leírt módon tisztítsa.
- Amennyiben a fásszárúnövény-vágót, a vezetőlemezt, a fűrészláncot, az akkumulátort vagy a töltőkészüléket a felhasználó nem megfelelően tartja karban vagy javítja, az

alkatrészek nem működnek megfelelően és a biztonsági berendezések hatástalanná válnak. Súlyos vagy halálos személyi sérülések következhetnek be.



- ▶ A fásszárúnövény-vágót, az akkumulátort és a töltőkészüléket ne tartsa karban saját maga és ne javítsa.
- ▶ Amennyiben a fásszárúnövény-vágó, az akkumulátor vagy a töltőkészülék karbantartása vagy javítása szükséges: Forduljon STIHL márkaszervizhez.
- ▶ A vezetőlemez és a fűrészlánc karbantartását és javítását a jelen használati utasításban leírt módon végezze.
- A fűrészlánc tisztításakor vagy karbantartásakor a felhasználó megvághatja magát az éles vágófogakkal. A kezelő megsérülhet.
 - ▶ Viseljen ellenálló anyagú munkakesztyűt.

5 Fásszárúnövény-vágó felkészítése a használatra

5.1 Fásszárúnövény-vágó felkészítése a használatra

Minden munkakezdés előtt a következő lépéseket kell megtenni:

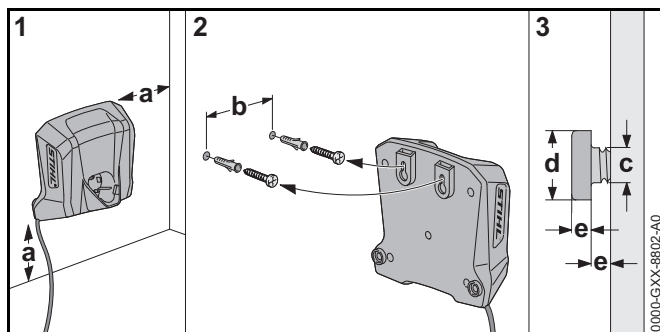
- ▶ Bizonyosodjon meg róla, hogy a következő alkotóelemek biztonságos állapotban vannak:
 - Fásszárúnövény-vágó, 4.6.1.
 - Vezetőlemez, 4.6.2.
 - Fűrészlánc, 4.6.3.
 - Akkumulátor, 4.6.4.
 - Töltőkészülék, 4.6.5.
- ▶ Ellenőrizze az akkumulátort, 10.6.
- ▶ Töltse fel teljesen az akkumulátort, 6.2.
- ▶ Tisztítsa meg a fásszárúnövény-vágót, 15.1.
- ▶ Szerelje fel a vezetőlemezt és a fűrészláncot, 7.1.1.
- ▶ Feszítse meg a fűrészláncot, 7.2.

- ▶ Kenje meg a fűrészláncot,  7.3.
- ▶ Ellenőrizze a kezelőelemeket,  10.5.
 - ▶ Ha a kezelőelemek ellenőrzésekor 3 LED pirosan villog: Vegye ki az akkumulátort és forduljon STIHL márkaszervizhez. Üzemzavar áll fenn a fásszárúnövény-vágóban.
- ▶ Amennyiben nem tudja az összes lépést kivitelezni: Ne használja tovább a fásszárúnövény-vágót és forduljon STIHL márkaszervizhez.

6 Akku töltés és LED-ek

6.1 A töltőkészülék falra szerelése

A töltőkészülék falra szerelhető.



▶ A töltőkészüléket úgy szerelje fel a falra, hogy az alábbi feltételek teljesüljenek:

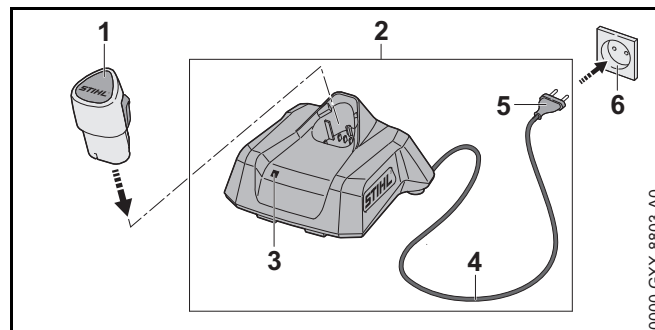
- A rögzítéshez megfelelő anyagot használnak.
- A töltőkészülék vízszintes.
- A következő méreteket betartják:
 - a = legalább 100 mm
 - b = 54 mm
 - c = 4,5 mm
 - d = 9 mm
 - e = 2,5 mm

6.2 Az akkumulátor feltöltése

A töltési idő különböző tényezőktől függ, pl. az akkumulátor hőmérséklete vagy a környezeti hőmérséklet. A tényleges töltési idő eltérhet a megadott töltési időtől. A töltési időről bővebben a www.stihl.com/charging-times oldalon tájékozódhat.

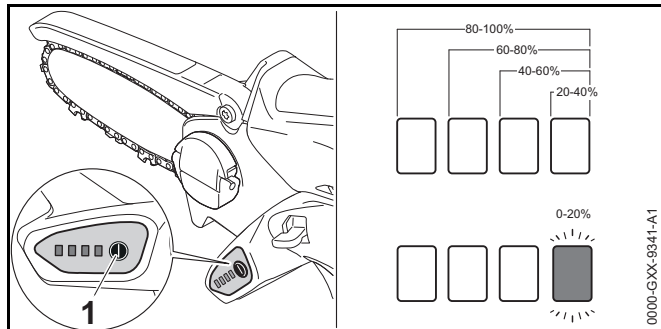
Amennyiben a hálózati csatlakozó csatlakoztatva van egy konnektorba és az akkumulátort behelyezik a töltőkészülékbe, a töltési folyamat automatikusan elindul. Amint teljesen feltöltődött az akkumulátor, a töltőkészülék automatikusan lekapcsolódik.

A töltési folyamat során az akkumulátor és a töltőkészülék felmelegszik.



- ▶ A hálózati csatlakozódugót (5) dugja be egy könnyen hozzáférhető konnektorba (6). A töltőkészülék (2) öntesztet végez. A LED (3) kb. 1 másodpercig zölden, és kb. 1 másodpercig pirosan világít.
- ▶ Helyezze el a csatlakozóvezetékét (4).
- ▶ Helyezze be az akkumulátort (1) a töltőkészülék (2) vezetőelemeibe és nyomja be ütközésig. A LED (3) zölden világít vagy villog. Az akkumulátor (2) töltődik.
- ▶ Ha a LED (3) nem világít: Az akkumulátor (1) teljesen fel van töltve és ki lehet venni a töltőkészülékből (2).
- ▶ Ha a töltőkészüléket (2) már nem használja: Húzza ki a hálózati csatlakozódugót (5) a konnektorból (6).

6.3 A töltési állapot kijelzése



- ▶ Helyezze be az akkumulátort.
- ▶ Nyomja meg a nyomógombot (1). A LED-ek kb. 5 másodpercig zölden világítanak, és kijelzik a töltési állapotot.
- ▶ Amennyiben a jobb oldali LED zölden villog: Töltse fel az akkumulátort.

6.4 LED-ek a fásszárúnövény-vágón

A LED-ek az akkumulátor töltési állapotát vagy üzemzavarokat jelezhetik ki. A LED-ek zölden vagy pirosan világíthatnak vagy villoghatnak.

Ha a LED-ek zölden világítanak vagy villognak, akkor a töltöttségi szintet jelzik.

- ▶ Amennyiben a LED-ek pirosan világítanak vagy villognak: Hárítsa el az üzemzavarokat, 18. Zavar támadt a fásszárúnövény-vágóban vagy az akkumulátorban.

6.5 A töltőkészüléken lévő LED-ek

A LED a töltőkészülék állapotát vagy üzemzavarokat jelez. A LED zölden vagy pirosan világíthat vagy villoghat.

Ha a LED zölden világít vagy villog, akkor az akkumulátor töltődik.

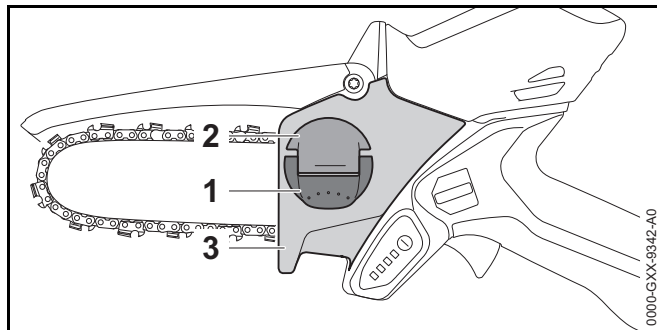
- ▶ Ha a LED pirosan világít vagy villog: Hárítsa el az üzemzavarokat, 18. Zavar támadt a töltőkészülékben vagy az akkumulátorban.

7 Fásszárúnövény-vágó összeszerelése

7.1 A vezetőlemez és a fűrészlánc le-és felszerelése

7.1.1 A vezetőlemez és a fűrészlánc leszerelése

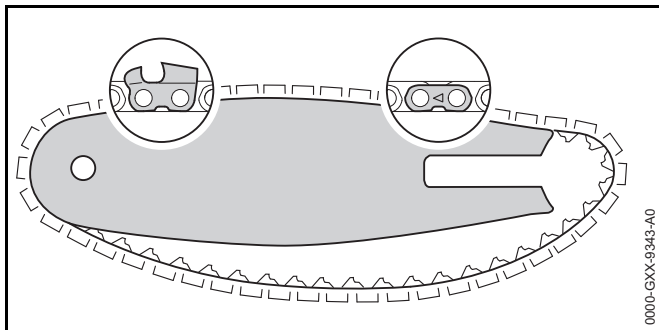
- ▶ Kapcsolja ki a fásszárúnövény-vágót és vegye ki az akkumulátort.



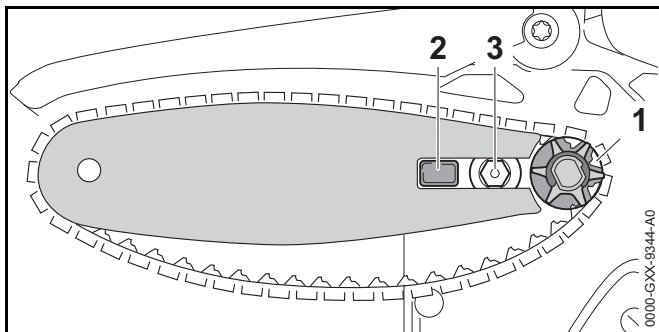
- ▶ Hajtsa fel a szárnyas anya (2) fogantyúját (1).
- ▶ Forgassa addig a szárnyas anyát (2) az óramutató járásával ellentétes irányba, amíg a lánckerékfedelelet (3) le nem lehet venni.
- ▶ Vegye le a lánckerékfedelelet (3).
- ▶ Vegye le a vezetőlemezt és a fűrészláncot.

7.1.2 A vezetőlemez és a fűrészlánc felszerelése

A lánckerékhez illő és engedélyezetten beépíthető vezetőlemez és fűrészlánc kombinációkat a műszaki adatok tartalmazzák, 20.1.



- ▶ Helyezze be úgy a fűrészláncot a vezetőlemez hornyába, hogy a fűrészlánc összekötőszemein lévő nyilak felülre, a haladási irányba mutassanak.



- ▶ Helyezze a vezetőlemezt a fűrészláncsal együtt a fásszárúnövény-vágóra úgy, hogy teljesüljenek a következő feltételek:
 - A fűrészlánc vezetőszelei a lánckerék (1) fogzatában foglalnak helyet.
 - A csap (2) a vezetőlemez hosszú furatában helyezkedik el.
 - A kötőcsavar (3) a vezetőlemez hosszú furatában helyezkedik el.

A vezetőlemez iránya nem játszik szerepet. A vezetőlemezeken lévő nyomtatott felirat fejjel lefelé is állhat.

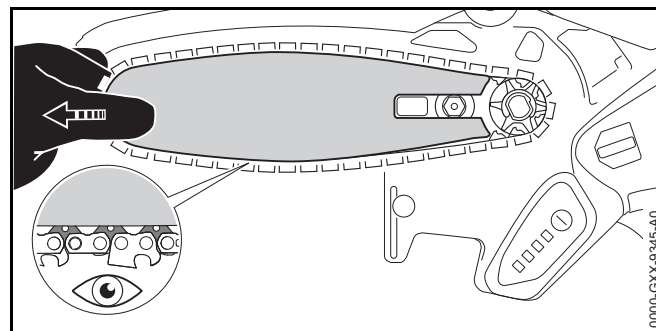
- ▶ Feszítse meg a fűrészláncot.
- ▶ A lánckerékfedelelet úgy fektesse fel a fásszárúnövény-vágóra, hogy egy vonalba essen a fásszárúnövény-vágóval.

- ▶ Addig forgassa a szárnyas anyát az óramutató járásával egyező irányba, amíg a lánckerékfedél szorosan fel nem fekszik a fásszárúnövény-vágóra.
- ▶ Csukja össze a szárnyas anya fogantyúját.

7.2 A fűrészlánc megfeszítése

Munka közben a fűrészlánc kitágul vagy összehúzódik. A fűrészlánc feszessége megváltozik. Munka közben rendszeresen ellenőrizze a fűrészlánc feszességét, és végezzen utánfeszítést.

- ▶ Kapcsolja ki a fásszárúnövény-vágót és vegye ki az akkumulátort.



- ▶ Nyissa ki a szárnyas anya fogantyúját.
- ▶ Fordítsa el 2 fordulattal a szárnyas anyát az óramutató járásával ellentétes irányba. A szárnyas anya meg van lazítva.

⚠ FIGYELMEZTETÉS

A fűrészlánc vágófogai élesek. A kezelő megvághatja magát.

- ▶ Viseljen ellenálló anyagú munkakesztyűt.

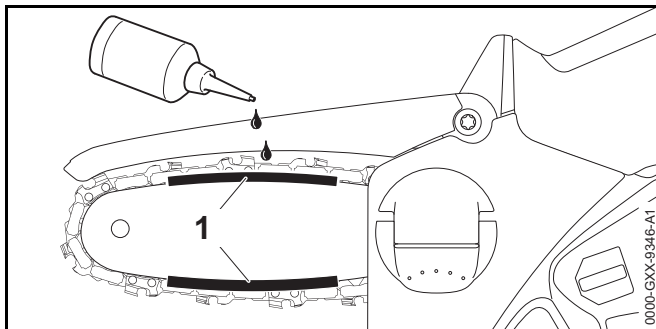
- ▶ Addig mozgassa a vezetőlemezt balra vagy jobbra, amíg az alábbi feltétel nem teljesül:
 - A fűrészlánc vezetőszelei a vezetőlemez alsó oldalán még félig láthatóak legyenek.

- ▶ Addig forgassa a szárnyas anyát az óramutató járásával egyező irányba, amíg a lánckerékfedél szorosan fel nem fekszik a fásszárúnövénny-vágóra.
- ▶ Amennyiben a fűrészláncot még két ujjal és csekély erőfeszítéssel át lehet húzni a vezetőlemezen: A fűrészlánc helyesen van megfeszítve.
- ▶ Amennyiben a fűrészlánc vezetőszelei a vezetőlemez alsó oldalán teljesen láthatóak: Feszítse meg ismét a fűrészláncot.
- ▶ Csukja össze a szárnyas anya fogantyúját.

7.3 Fűrészlánc kenése

A STIHL Multioil Bio univerzális olaj vagy egy hasonló, biológiailag lebomló univerzális olaj keni és hűti a körbefutó fűrészláncot.

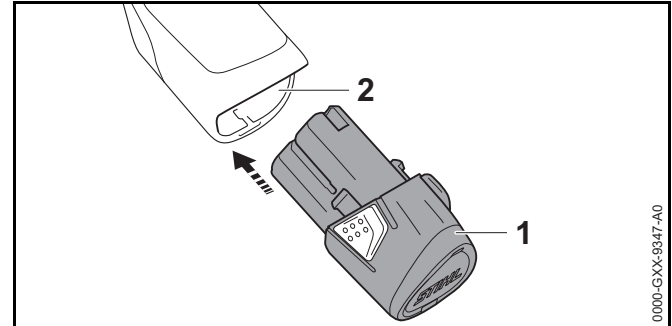
- ▶ Kapcsolja ki a fásszárúnövénny-vágót és vegye ki az akkumulátort.
- ▶ Tegye a fásszárúnövénny-vágót egy sík felületre úgy, hogy a lánckerékfedél felfelé nézzen.
- ▶ Tisztítsa meg a vezetőlemezt és a fűrészláncot ecsettel, puha kefével vagy STIHL gyantaoldó szerrel.



- ▶ Kenje fel az univerzális olajat a vezetőlemez és a fűrészlánc közötti területen (1).
- ▶ Helyezze be az akkumulátort.
- ▶ Kapcsolja be a fásszárúnövénny-vágót. Az univerzális olaj eloszlik a fűrészláncon. A fűrészlánc meg van kenve.

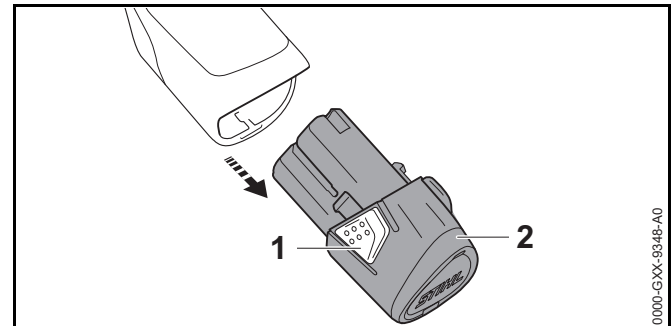
8 Az akku behelyezése és kivevése

8.1 Az akkumulátor behelyezése



- ▶ Tolja az akkumulátort (1) ütközésig az akkumulátorüregbe (2). Az akkumulátor (1) kattanással bereteszelődik.

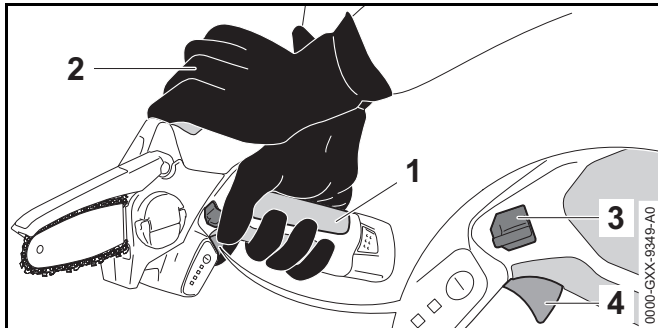
8.2 Az akkumulátor kivétele



- ▶ Nyomja meg mindkét bekattanó horgot (1). Az akkumulátor (2) ki van reteszelve és kivehető.

9 A fásszárúnövény-vágó bekapcsolása és kikapcsolása

9.1 Fásszárúnövény-vágó bekapcsolása



- ▶ A fásszárúnövény-vágót úgy tartsa egyik kezével a kezelőfogantyú megfogási területénél (1) fogva, hogy a hüvelykujja körbefogja a kezelőfogantyút.
- ▶ A fásszárúnövény-vágót a másik kezével tartsa a fogantyúrésznél (2) fogva, és így vezesse.
- ▶ Nyomja le hüvelykujjával a záremeltyűt (3), és tartsa lenyomva.
- ▶ Nyomja le mutatóujjával a kapcsolóemeltyűt (4) és tartsa lenyomva.
A fásszárúnövény-vágó gyorsul és fűrészlánc mozog. Ezután elengedheti a záremeltyűt (3).

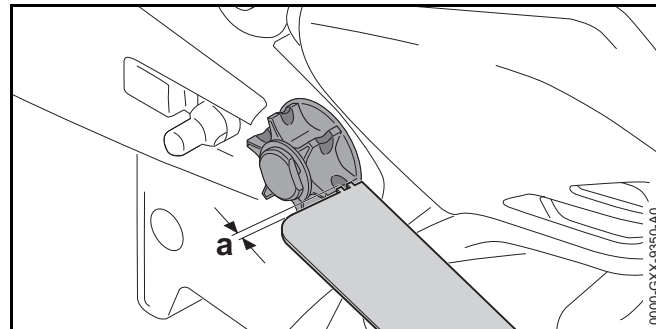
9.2 Fásszárúnövény-vágó kikapcsolása

- ▶ Engedje el a kapcsolóemeltyűt.
A fűrészlánc nem mozog tovább.
- ▶ Amennyiben a fűrészlánc tovább mozog: Vegye ki az akkumulátort és forduljon STIHL márkaszervizhez.
A fásszárúnövény-vágó meghibásodott.

10 A fásszárúnövény-vágó és az akkumulátor ellenőrzése

10.1 A lánckerék ellenőrzése

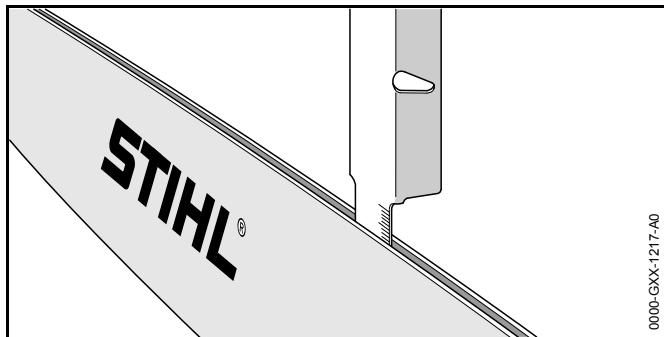
- ▶ Kapcsolja ki a fásszárúnövény-vágót és vegye ki az akkumulátort.
- ▶ Szerelje le a lánckerékfedelet.
- ▶ Szerelje le a vezetőlemezt és a fűrészláncot.



- ▶ Ellenőrizze a lánckeréken a kopásnyomokat STIHL ellenőrzősablonnal.
- ▶ Ha a kopásnyomok mélyebbek, mint $a = 0,5 \text{ mm}$: Ne használja tovább a fásszárúnövény-vágót és forduljon STIHL márkaszervizhez.
Cserélje ki a lánckereket.

10.2 A vezetőlemez ellenőrzése

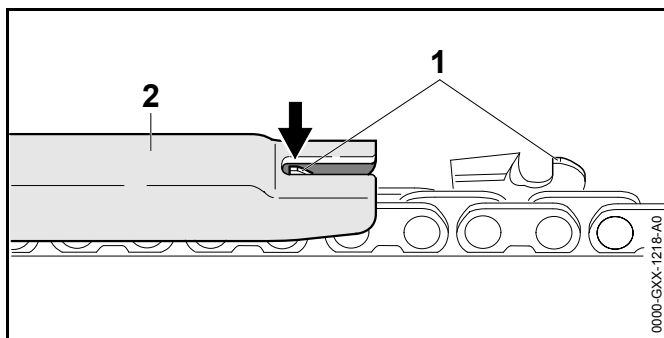
- ▶ Kapcsolja ki a fásszárúnövény-vágót és vegye ki az akkumulátort.
- ▶ Szerelje le a fűrészláncot és a vezetőlemezt.



- ▶ Mérje meg a vezetőlemez horonymélységét egy STIHL reszelősablon mérőpálcájával.
- ▶ Cserélje ki a vezetőlemezt, amennyiben a következő feltételek egyike fennáll:
 - A vezetőlemez megrongálódott.
 - Kisebb a horonymélység, mint a vezetőlemez legkisebb horonymélysége, 19.3.
 - A vezetőlemez hornya beszűkült vagy szétterült.
- ▶ Amennyiben bizonytalanságok merülnének fel: Forduljon STIHL márkaszervizhez.

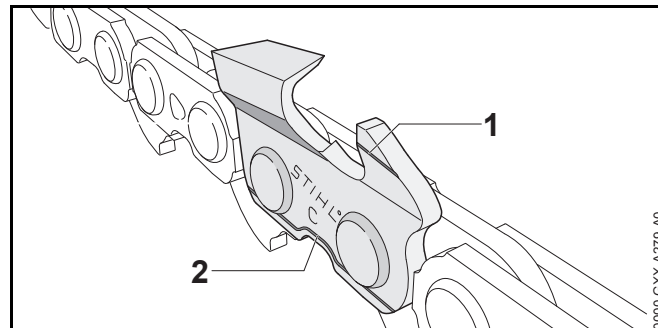
10.3 A fűrészlánc ellenőrzése

- ▶ Kapcsolja ki a fásszárúnövény-vágót és vegye ki az akkumulátort.



- ▶ Mérje meg a mélységhatároló magasságát (1) egy STIHL reszelősablonnal (2). A STIHL reszelősablonnak bele kell illenie a fűrészlánc osztásába.

- ▶ Ha egy mélységhatároló (1) túlnyúlik a reszelősablonon (2): Reszelje meg a mélységhatárolót (1), 16.1.



- ▶ Ellenőrizze, hogy a kopásjelölések (1 és 2) láthatóak-e a vágófogakon.
- ▶ Ha egy vágófogon nem látható az egyik kopásjelölés: Ne használja a fűrészláncot – forduljon STIHL márkaszervizhez.
- ▶ Ellenőrizze a STIHL reszelősablonnal, hogy a vágófogak 30°-os élezési szöge be van-e tartva. A STIHL reszelősablonnak bele kell illenie a fűrészlánc osztásába.
- ▶ Amennyiben a 30°-os élezési szög nincs betartva: Élezze meg a fűrészláncot.
- ▶ Amennyiben bizonytalanságok merülnének fel: Forduljon STIHL márkaszervizhez.

10.4 Védőburkolat ellenőrzése

- ▶ Vegye ki az akkumulátort.

FIGYELMEZTETÉS

A fűrészlánc vágófogai élesek. A kezelő megvághatja magát.

- ▶ Viseljen ellenálló anyagú munkakesztyűt.

- ▶ Hajtsa fel a védőburkolatot és engedje el. A védőburkolat visszarugózik a kiindulási helyzetbe.

- ▶ Amennyiben a védőburkolat nehezen működik és nem ugrik vissza a kiindulási helyzetébe: Ne használja tovább a fásszárú növény-vágót és forduljon STIHL márkaszervizhez. A védőburkolat meghibásodott.

10.5 Kezelőelemek vizsgálata

Záremeltyű és kapcsolóemeltyű

- ▶ Vegye ki az akkumulátort.
- ▶ Próbálja meg megnyomni a kapcsolóemeltyűt anélkül, hogy megnyomná a záremeltyűt.
- ▶ Amennyiben a kapcsolóemeltyűt le lehet nyomni: Forduljon STIHL márkaszervizhez. A záremeltyű meghibásodott.
- ▶ Nyomja le a záremeltyűt, és tartsa lenyomva.
- ▶ Nyomja le és engedje el újból a kapcsolóemeltyűt.
- ▶ Amennyiben a kapcsolóemeltyű nehezen működik vagy nem ugrik vissza a kiindulási helyzetbe: Ne használja tovább a fásszárú növény-vágót és forduljon STIHL márkaszervizhez. A kapcsolóemeltyű hibás.

Fásszárú növény-vágó bekapcsolása

- ▶ Helyezze be az akkumulátort.
- ▶ Nyomja le a záremeltyűt, és tartsa lenyomva.
- ▶ Nyomja le a kapcsolóemeltyűt és tartsa lenyomva. A fűrészlánc mozog.
- ▶ Ha 3 LED pirosan villog: Vegye ki az akkumulátort és forduljon STIHL márkaszervizhez. Üzemzavar áll fenn a fásszárú növény-vágóban.
- ▶ Engedje el a kapcsolóemeltyűt. A fűrészlánc nem mozog tovább.
- ▶ Amennyiben a fűrészlánc tovább mozog: Vegye ki az akkumulátort és forduljon STIHL márkaszervizhez. A fásszárú növény-vágó meghibásodott.

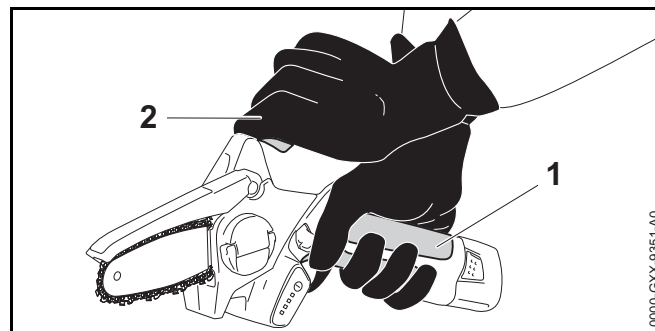
10.6 Az akkumulátor vizsgálata

- ▶ Helyezze be az akkumulátort.

- ▶ Nyomja le a fásszárú növény-vágón lévő nyomógombot. A LED-ek világítanak vagy villognak.
- ▶ Amennyiben a LED-ek nem világítanak vagy villognak: Ne használja tovább a fásszárú növény-vágót és az akkumulátort, valamint forduljon STIHL márkaszervizhez. Zavar támadt a fásszárú növény-vágóban vagy az akkumulátorban.

11 A fásszárú növény-vágóval való munkavégzés

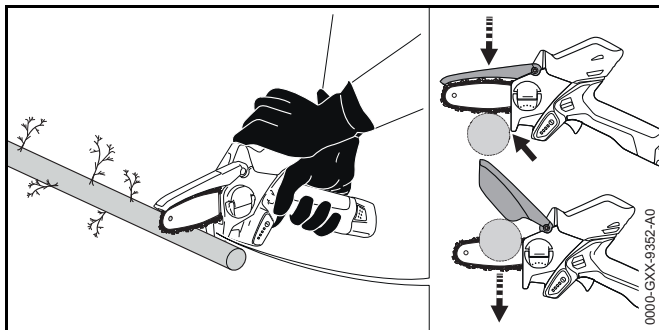
11.1 A fásszárú növény-vágó tartása és vezetése



- ▶ A fásszárú növény-vágót úgy tartsa egyik kezével a kezelőfogantyú megfogási területénél (1) fogva és úgy vezesse, hogy a hüvelykujja körbefogja a kezelőfogantyút.
- ▶ A fásszárú növény-vágót a másik kezével tartsa a fogantyúrésznél (2) fogva, és így vezesse.

11.2 Vágás

- ▶ A vezetőlemezt teljes gázzal vezesse a vágásban.



- ▶ Helyezze fel az ütközőt, és használja azt forgáspontként.
- ▶ Vezesse a vezetőlemezt teljesen a fán keresztül.
- ▶ A vágás végén fogja fel a fásszárúnövény-vágó súlyát.
- ▶ Egyesével vágja át az ágakat.

12 Munka után

12.1 Munkavégzés után

- ▶ Kapcsolja ki a fásszárúnövény-vágót és vegye ki az akkumulátort.
- ▶ Ha a fásszárúnövény-vágó nedves: Hagyja a fásszárúnövény-vágót megszáradni.
- ▶ Ha az akkumulátor nedves: Hagyja az akkumulátort megszáradni.
- ▶ Tisztítsa meg a fásszárúnövény-vágót.
- ▶ Tisztítsa meg a vezetőlemezt és a fűrészláncot.
- ▶ A láncvédőt úgy tolja a vezetőlemezre, hogy az a vezetőlemezt teljesen lefedje.
- ▶ Tisztítsa meg az akkumulátort.

13 Szállítás

13.1 A fásszárúnövény-vágó szállítása

- ▶ Kapcsolja ki a fásszárúnövény-vágót és vegye ki az akkumulátort.
- ▶ A láncvédőt úgy tolja a vezetőlemezre, hogy az a vezetőlemezt teljesen lefedje.

A fásszárúnövény-vágó hordozása

- ▶ A fásszárúnövény-vágót szállításkor úgy vigye egyik kezével a kezelőfogantyúnál fogva, hogy a vezetőlemezt lefelé mutasson.

A fásszárúnövény-vágó szállítása járműben

- ▶ A fásszárúnövény-vágót a készletben található táskában kell szállítani.
- ▶ Biztosítsa a táskát úgy, hogy az ne tudjon felborulni vagy mozogni.
- ▶ Ha a szállítmány nem tartalmaz táskát: Úgy biztosítsa a fásszárúnövény-vágót, hogy az ne tudjon felborulni vagy mozogni.

13.2 Az akkumulátor szállítása

- ▶ Kapcsolja ki a fásszárúnövény-vágót és vegye ki az akkumulátort.
- ▶ Bizonyosodjon meg róla, hogy az akkumulátor biztonságos állapotban van.
- ▶ Az akkumulátort a készletben található táskába kell becsomagolni.
- ▶ Amennyiben a szállítási csomag nem tartalmaz táskát: Az akkumulátort úgy csomagolja, hogy a következő feltételek teljesüljenek:
 - A csomagolás elektromosan nem vezetőképes.
 - Az akkumulátor nem mozoghat a csomagolásban.
- ▶ Úgy biztosítsa ki a csomagot, hogy ne mozoghasson.

Az akkumulátorra a veszélyes áruk szállítására vonatkozó követelmények érvényesek. Az akkumulátor UN 3480 (lítium-ionos akkumulátorok) besorolású, valamint az Ellenőrzések és kritériumok ENSZ kézikönyv, III. rész, 38.3 szakaszának megfelelően lett megvizsgálva.

A szállítási előírásokról bővebben a www.stihl.com/safety-data-sheets oldalon tájékozódhat.

13.3 Töltőkészülék szállítása

- ▶ Húzza ki a hálózati csatlakozódugót a konnektorból.
- ▶ Vegye ki az akkumulátort.
- ▶ Csavarja fel a csatlakozóvezetékét és rögzítse a töltőkészüléken.
- ▶ Amennyiben a töltőberendezést járművel szállítja:
 - ▶ A töltőkészüléket a készletben található táskában kell szállítani.
 - ▶ Biztosítsa a táskát úgy, hogy az ne tudjon felborulni vagy mozogni.
 - ▶ Amennyiben a szállítási csomag nem tartalmaz táskát: Biztosítsa a töltőberendezést úgy, hogy az ne tudjon felborulni vagy mozogni.

14 Tárolás

14.1 Fásszárúnövény-vágó tárolása

- ▶ Kapcsolja ki a fásszárúnövény-vágót és vegye ki az akkumulátort.
- ▶ A láncvédőt úgy tolja a vezetőlemezre, hogy az a vezetőlemezt teljesen lefedje.
- ▶ A fásszárúnövény-vágót úgy kell tárolni, hogy teljesüljenek az alábbi feltételek:
 - A fásszárúnövény-vágót gyermekek által nem hozzáférhető helyen kell tartani.
 - A fásszárúnövény-vágó tiszta és száraz.
 - A fűrészlánc meg van kenve.

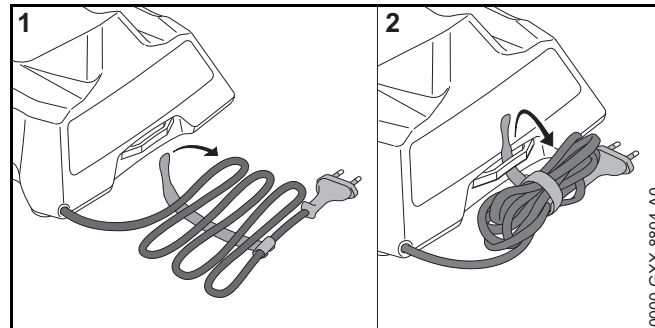
14.2 Akkumulátor tárolása

STIHL azt ajánlja, hogy az akkumulátort 40 % és 60 % (2 zölden világító LED) közötti töltöttségi szinten tárolja.

- ▶ Az akkumulátort úgy tároljuk, hogy a következő feltételek teljesüljenek:
 - Az akkumulátort gyermekek által nem hozzáférhető helyen kell tartani.
 - Az akkumulátor tiszta és száraz.
 - Az akkumulátor zárt helyiségben van.
 - Az akkumulátor külön van a fásszárúnövény-vágótól és a töltőkészüléktől.
 - Az akkumulátor egy elektromosan nem vezetőképes csomagolásban van.
 - Az akkumulátor - 20 °C és + 60 °C közötti hőmérsékleti tartományban van.

14.3 A töltőkészülék tárolása

- ▶ Húzza ki a hálózati csatlakozódugót a konnektorból.
- ▶ Vegye ki az akkumulátort.



- ▶ Csavarja fel a csatlakozóvezetékét és rögzítse a töltőkészüléken.
- ▶ A töltőkészüléket úgy kell tárolni, hogy teljesüljenek az alábbi feltételek:
 - A töltőkészülék tárolása gyermekek által nem hozzáférhető helyen történik.
 - A töltőkészülék tiszta és száraz.
 - A töltőkészülék zárt helyiségben van.

- A töltőkészülék külön van az akkumulátortól.
- A töltőkészülék nincs a csatlakozóvezetékre felfüggesztve.
- A töltőkészülék - 20 °C és + 60 °C közötti hőmérsékleti tartományban van.

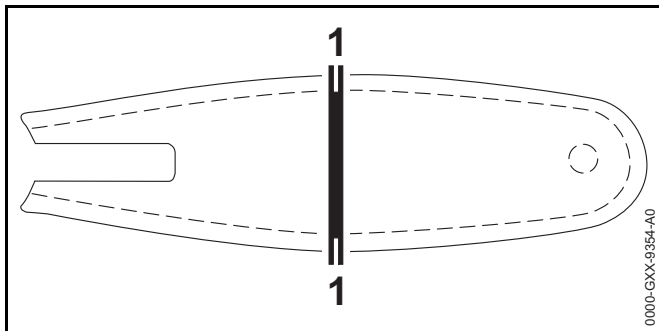
15 Tisztítás

15.1 Fásszárúnövény-vágó tisztítása

- ▶ Kapcsolja ki a fásszárúnövény-vágót és vegye ki az akkumulátort.
- ▶ Tisztítsa meg a fásszárúnövény-vágót nedves kendővel vagy STIHL gyantaoldóval.
- ▶ Szerelje le a lánckerékfedelelet.
- ▶ Tisztítsa meg a lánckerék környékét nedves kendővel vagy STIHL gyantaoldóval.
- ▶ Távolítsa el az idegentesteket az akkumulátorüregből és tisztítsa meg az akkumulátorüreget nedves kendővel.
- ▶ Az akkumulátorüregben lévő elektromos érintkezőket ecsettel vagy puha kefével tisztítsa meg.
- ▶ Szerelje fel a lánckerékfedelelet.

15.2 A vezetőlemez és a fűrészlánc tisztítása

- ▶ Kapcsolja ki a fásszárúnövény-vágót és vegye ki az akkumulátort.
- ▶ Szerelje le a vezetőlemezt és a fűrészláncot.



0000-GXX-9354-A0

- ▶ Tisztítsa meg a hornyot (1) ecsettel, puha kefével vagy STIHL gyantaoldó szerrel.
- ▶ Tisztítsa meg a fűrészláncot ecsettel, puha kefével vagy STIHL gyantaoldó szerrel.
- ▶ Szerelje fel a vezetőlemezt és a fűrészláncot.
- ▶ Kenje meg a fűrészláncot.

15.3 Az akku tisztítása

- ▶ Az akkut nedves ruhával tisztítsa meg.

15.4 A töltőkészülék tisztítása

- ▶ A hálózati dugaszt húzza ki a konnektorból.
- ▶ A töltőkészüléket nedves ruhával tisztítsa meg.
- ▶ A töltőkészülék elektromos érintkezőit ecsettel vagy puha kefével tisztítsa meg.

16 Karbantartás

16.1 A fűrészlánc élezése

A fűrészlánc szakszerű élezése nagyon sok gyakorlatot követel.

A STIHL élezők, a STIHL élező eszközök, a STIHL élező készülékek és a „STIHL fűrészlánc élezése” című kiadvány segítséget nyújt a fűrészlánc szakszerű élezéséhez. A kiadvány letöltéséhez kattintson ide: www.stihl.com/sharpening-brochure.

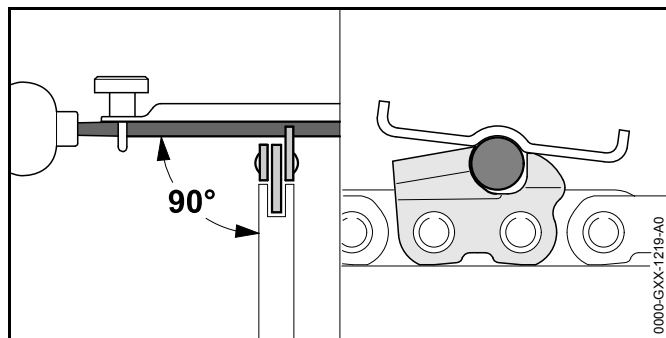
A STIHL azt ajánlja, hogy a fűrészlánc élezését bizza egy STIHL márkaszervizre.



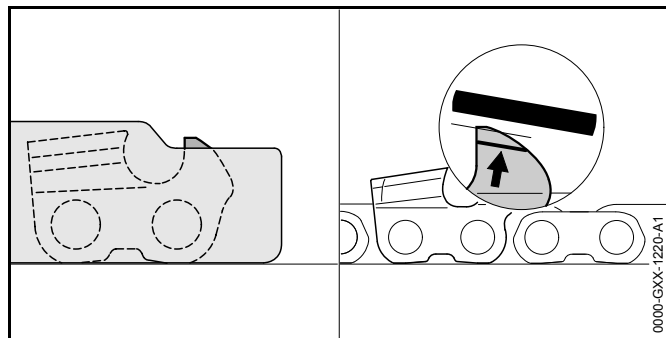
FIGYELMEZTETÉS

A fűrészlánc vágófogai élesek. A kezelő megvághatja magát.

- ▶ Viseljen ellenálló anyagú munkakesztyűt.



- ▶ Úgy élezzon meg minden egyes vágófogat egy körreszelővel, hogy teljesüljenek a következő feltételek:
 - A körreszelő beleillik a fűrészlánc osztásába.
 - A körreszelő vezetése belülről kifelé történik.
 - A körreszelő vezetése a vezetőlemezhöz viszonyítva merőleges szögben történik.
 - Tartsa be a 30°-os élezési szöget.



- ▶ Egy lapos reszelővel úgy élezze meg a mélységhatárolót, hogy az egy szintben legyen a STIHL reszelősablonnal, és legyen párhuzamos a kopásjelöléssel. A STIHL reszelősablonnak bele kell illenie a fűrészlánc osztásába.
- ▶ Amennyiben bizonytalanságok merülnének fel: Forduljon egy STIHL márkaszervizhez.

17 Javítás


17.1 A fásszárúnövény-vágó, az akkumulátor és a töltőkészülék javítása

A felhasználó nem tudja saját maga a fásszárúnövény-vágót, a vezetőlemezt, a fűrészláncot, az akkumulátort és a töltőkészüléket megjavítani.

- ▶ Amennyiben a fásszárúnövény-vágó, a vezetőlemez, vagy a fűrészlánc megsérült: Ne használja a fásszárúnövény-vágót, a vezetőlemezt és a fűrészláncot, valamint forduljon STIHL márkaszervizhez.
- ▶ Amennyiben az akkumulátor hibás vagy megsérült: Cserélje ki az akkumulátort.
- ▶ Amennyiben a töltőkészülék meghibásodott vagy megsérült: Cserélje ki a töltőkészüléket.
- ▶ Amennyiben a csatlakozóvezeték hibás vagy megsérült: Ne használja a töltőkészüléket és cseréltesse ki a csatlakozóvezetéket STIHL márkaszervizben.

18 Hibaelhárítás

18.1 A fűszárító- vagy az akkumulátor üzemzavarainak elhárítása

Üzemzavar	LED-ek a fűszárító- vagy az akkumulátorvillogásán	Oka	Megoldás
A fűszárító- vagy az akkumulátor nem indul be a bekapcsoláskor.	1 LED zölden villog.	Túl alacsony az akkumulátor feltöltöttsége.	▶ Töltse fel az akkumulátort.
	1 LED pirosan világít.	Túl meleg vagy túl hideg az akkumulátor.	▶ Vegye ki az akkumulátort. ▶ Várja meg, amíg az akkumulátor lehűl vagy felmelegszik.
	3 LED pirosan villog.	Üzemzavar áll fenn a fűszárító- vagy az akkumulátorban.	▶ Vegye ki az akkumulátort. ▶ Tisztítsa meg az elektromos érintkezőket az akkumulátorüregben. ▶ Helyezze be az akkumulátort. ▶ Kapcsolja be a fűszárító- vagy az akkumulátort. ▶ Ha továbbra is 3 LED villog pirosan: Ne használja tovább a fűszárító- vagy az akkumulátort és forduljon STIHL márkaszervizhez.
	3 LED pirosan világít.	A fűszárító- vagy az akkumulátor túl meleg.	▶ Vegye ki az akkumulátort. ▶ Hagyja a fűszárító- vagy az akkumulátort lehűlni.
	4 LED pirosan villog.	Üzemzavar áll fenn az akkumulátorban.	▶ Vegye ki, majd tegye vissza az akkumulátort. ▶ Kapcsolja be a fűszárító- vagy az akkumulátort. ▶ Ha továbbra is 4 LED villog pirosan: Ne használja az akkumulátort és forduljon STIHL márkaszervizhez.
		A fűszárító- vagy az akkumulátor közötti elektromos összeköttetés megszakadt.	▶ Vegye ki az akkumulátort. ▶ Tisztítsa meg az elektromos érintkezőket az akkumulátorüregben. ▶ Helyezze be az akkumulátort.
		A fűszárító- vagy az akkumulátor nedves.	▶ Hagyja megszáradni a fűszárító- vagy az akkumulátort.
		A fűrészlánc megszorult.	▶ Vegye ki az akkumulátort. ▶ Tisztítsa meg a fűszárító- vagy az akkumulátort,  15.1.

Üzemzavar	LED-ek a fászszerű-növény-vágón	Oka	Megoldás
A fászszerű-növény-vágó üzem közben kikapcsolódik.	3 LED pirosan világít.	A fászszerű-növény-vágó túl meleg.	<ul style="list-style-type: none"> ▶ Vegye ki az akkumulátort. ▶ Hagyja a fászszerű-növény-vágót lehűlni.
		Elektromos zavar áll fenn.	<ul style="list-style-type: none"> ▶ Vegye ki, majd tegye vissza az akkumulátort. ▶ Kapcsolja be a fászszerű-növény-vágót.
A hirtelen lecsökken a fászszerű-növény-vágó vágási teljesítménye.	1 LED zölden villog.	Túl alacsony az akkumulátor feltöltöttsége.	<ul style="list-style-type: none"> ▶ Töltse fel az akkumulátort.
		A fűrészlánc élezése nem megfelelő.	<ul style="list-style-type: none"> ▶ Szakszerűen élezze meg a fűrészláncot.
		Túlfeszítették a fűrészláncot.	<ul style="list-style-type: none"> ▶ Feszítse meg szabályosan a fűrészláncot.
		A lánckénés nem elégséges.	<ul style="list-style-type: none"> ▶ Kenje meg a fűrészláncot.
A fászszerű-növény-vágó működési ideje túl rövid.		Az akkumulátor nincs teljesen feltöltve.	<ul style="list-style-type: none"> ▶ Töltse fel teljesen az akkumulátort.
		Az akkumulátor élettartama lejárt.	<ul style="list-style-type: none"> ▶ Cserélje ki az akkumulátort.

18.2 A töltőkészülék üzemzavarainak elhárítása

Üzemzavar	A töltőkészüléken lévő LED-ek	Oka	Megoldás
Az akku nem töltődik.	A LED pirosan világít.	Túl meleg vagy túl hideg az akkumulátor.	<ul style="list-style-type: none"> ▶ Hagyja az akkumulátort a töltőkészülékben. A töltési folyamat automatikusan megkezdődik, amint eléri a megengedett hőmérsékleti tartományt.
	A LED pirosan villog.	A töltőkészülék és az akku közötti elektromos összeköttetés megszakadt.	<ul style="list-style-type: none"> ▶ Vegye ki az akkumulátort. ▶ Tisztítsa meg a töltőkészülék elektromos érintkezőit. ▶ Helyezze be az akkumulátort.

Üzemzavar	A töltőkészüléken lévő LED-ek	Oka	Megoldás
		Üzemzavar áll fenn a töltőkészülékben.	▶ Ne használja a töltőkészüléket, és forduljon STIHL márkaszervizhez.
		Üzemzavar áll fenn az akkumulátorban.	▶ Ne használja az akkumulátort és forduljon STIHL márkaszervizhez.
A töltőkészülék nem végez öntesztet.	A LED nem világít kb. 1 másodpercig zölden, és kb. 1 másodpercig pirosan.	A töltőkészülékhez menő elektromos kapcsolat rövid időre megszakadt.	<ul style="list-style-type: none"> ▶ Húzza ki a hálózati csatlakozódugót a konnektorból. ▶ Várjon 1 percet. ▶ Dugja be a hálózati csatlakozódugót a konnektorba.

19 Műszaki adatok

19.1 Fásszárúnövény-vágó STIHL GTA 26

- Engedélyezett akkumulátor: STIHL AS
- Súly akkumulátor nélkül, vezetőlemezzel és fűrészlánccal: 1,2 kg

A működési időről bővebben a www.stihl.com/battery-life oldalon tájékozódhat.

19.2 Lánckerek

Az alábbi lánckerek használhatók:

- 6 fogú 1/4" P-hez

19.3 A vezetőlemezek minimális horonymélysége

A horony minimális mélysége a vezetőlemez osztásának függvénye.

- 1/4" P: 4 mm

19.4 Akkumulátor STIHL AS

- Akkumulátoros technológia: Lítium ionos
- Feszültség: 10,8 V
- Kapacitás Ah-ban: lásd a teljesítménytáblát
- Energiatartalom Wh-ban: lásd a teljesítménytáblát
- Súly kg-ban: lásd a teljesítménytáblát
- Megengedett hőmérsékleti tartomány a használathoz és a tároláshoz: - 20 °C és + 50 °C között

Amennyiben az akkumulátort 0 °C-nál alacsonyabb vagy + 30 °C-nál magasabb hőmérsékleten használják, az akkumulátor működési ideje lerövidülhet, a fásszárúnövény-vágó teljesítménye pedig lecsökkenhet.

19.5 Töltőkészülék STIHL AL 1

- Névleges feszültség: lásd a teljesítménytáblát
- Hálózati frekvencia: lásd a teljesítménytáblát
- Névleges teljesítmény: lásd a teljesítménytáblát
- Töltőáram: lásd a teljesítménytáblát
- Megengedett hőmérsékleti tartomány a használathoz és a tároláshoz: - 20 °C és + 50 °C
- Az engedélyezett STIHL AS akkumulátor maximális energiataralma: 12,5 Ah

A töltési időkről bővebben a www.stihl.com/charging-times oldalon tájékozódhat.

Amennyiben a töltőkészüléket + 5 °C-nál alacsonyabb vagy + 30 °C-nál magasabb hőmérsékleten használják, a töltési idők meghosszabbodhatnak.

19.6 Hosszabbítóvezetékek

Amennyiben hosszabbítóvezetékét használ, úgy annak ereinek a feszültségtől és a hosszabbítóvezeték hosszától függően legalább a következő átmérővel kell rendelkezniük:

Amennyiben a teljesítménytáblán a névleges feszültség 220 V és 240 V közötti:

- Vezeték hossz 20 m-ig: AWG 15 / 1,5 mm²
- Vezeték hossz 20 m-től 50 m-ig: AWG 13 / 2,5 mm²

Amennyiben a teljesítménytáblán a névleges feszültség 100 V és 127 V közötti:

- Vezeték hossz 10 m-ig: AWG 14 / 2,0 mm²
- Vezeték hossz 10 m-től 30 m-ig: AWG 12 / 3,5 mm²

19.7 Zaj- és rezgésértékek

A zajszint K-értéke 2 dB(A). A zajteljesítményszint K-értéke 2 dB(A). A rezgésértékek K-értéke 2 m/s².

A STIHL hallásvédő viselését javasolja.

- Zajszint L_{pA} az EN 60745-2-13 szerint mérve: 77 dB(A)
- Zajteljesítményszint L_{WA} az EN 60745-2-13 szerint mérve: 86 dB(A)
- Rezgésérték a_{HV} az EN 60745-2-13 szerint mérve:
 - Kezelőfogantyú: 2,8 m/s²
 - Fogantyúrész: 2,9 m/s.

A megadott rezgési értékeket szabványos vizsgálati eljárás szerint mérték, és az elektromos készülékek összehasonlításához lehet őket felhasználni. A ténylegesen fellépő vibrációs értékek eltérhetnek a megadott értékektől, az alkalmazás módjától függően. A megadott rezgési értékeket a rezgési terhelés első felméréséhez lehet használni. A tényleges rezgési terhelést fel kell becsülni. Ilyenkor azt az időt is figyelembe kell venni, amikor az elektromos készülék nem működik, továbbá azt az időt is, amikor az bekapcsolt állapotban van, de terhelés nélkül működik.

A 2002/44/EK irányelv munkaadókra vonatkozó rezgéssel kapcsolatos előírásainak betartásáról szóló információk a www.stihl.com/vib webhelyen található.

19.8 REACH

A REACH megnevezés az Európai Unió által meghatározott előírás a kémiai anyagok regisztrálásához, értékeléséhez és engedélyezéséhez.

A REACH rendelet betartásához szükséges információkról a www.stihl.com/reach oldalon tájékozódhat.

20 Vezetőlemezek és fűrészláncok kombinációi.

20.1 Fásszárúnövény-vágó STIHL GTA 26

Osztás	Vezetőszem vastagsága/Hor onyszélesség	Hossz	Vezetőlemez	Átvezetőcsillag fogszáma	Vezetőszemek száma	Fűrészlánc
1/4" P	1,1 mm	10 cm	Light	-	28	71 PM3 (típus: 3670)

A vezetőlemez vágási hossza a használt fásszárúnövény-vágótól és a fűrészláncától függ. A vezetőlemez tényleges vágási hossza kisebb lehet a megadott hosszánál.

21 Pótalkatrészek és tartozékok

21.1 Pótalkatrészek és tartozékok

STIHL Ezek a szimbólumok jelölik az eredeti STIHL
GI pótalkatrészeket és az eredeti STIHL
tartozékokat.

A STIHL eredeti STIHL pótalkatrészek és eredeti STIHL tartozékok használatát ajánlja.

Eredeti STIHL pótalkatrészek és eredeti STIHL tartozékok STIHL márkakereskedésben kaphatók.

22 Ártalmatlanítás

22.1 A fásszárúnövény-vágó, az akkumulátor és a töltőkészülék kezelése hulladékként

A hulladékkezeléssel kapcsolatos aktuális információk STIHL márkaszervizben érhetőek el.

- ▶ A fásszárúnövény-vágót, a vezetőlemezt, a fűrészláncot, az akkumulátort, a töltőkészüléket, a tartozékokat és a csomagolást az előírásoknak megfelelően és környezetbarát módon kezelje hulladékként.

23 EK Megfelelőségi nyilatkozat

23.1 Fásszárúnövény-vágó STIHL GTA 26

ANDREAS STIHL AG & Co. KG
Badstraße 115
D-71336 Waiblingen
Németország

teljes felelőssége tudatában nyilatkozik, hogy a

- Kivitel: Akkumulátoros fásszárúnövény-vágó
- Gyártó márkanéve: STIHL

- Típus: GTA 26
- Sorozatszám: GA01

megfelel a 2011/65/EU, 2006/42/EK, 2014/30/EU és 2000/14/EK irányelvek vonatkozó előírásainak, tervezése és kivitelezése pedig összhangban áll az alábbi szabványok gyártás időpontjában érvényes verzióival: EN 55014-1, EN 55014-2, EN 62841-1.

Az EK típusvizsgálatot a 2006/42/EK irányelv 12.3 (b) cikkelye szerint végezte: VDE Prüf- u. Zertifizierungsinstitut (NB 0366), Merianstraße 28, 63069 Offenbach, Németország

- Tanúsítási szám: 40050017

A mért és a garantált zajteljesítményszint meghatározása a 2000/14/EK irányelv V függeléke szerint történt.

- Mért zajteljesítményszint: 88 dB(A)
- Garantált zajteljesítményszint: 90 dB(A)

A műszaki dokumentációt az ANDREAS STIHL AG & Co. KG Produktzulassung részlege őrzi.

A gép gyártási éve, a gyártó ország és a gép száma a fásszárúnövény-vágón vannak feltüntetve.

Waiblingen, 2020.02.03.

ANDREAS STIHL AG & Co. KG
nevében



Dr. Jürgen Hoffmann, Termékinformációk, előírások és engedélyezések igazgatója

23.2 STIHL AL 1 töltőkészülék megfelelőségével kapcsolatos információk

Ennek a töltőkészüléknek a gyártása és forgalomba hozatala a következő irányelvekkel összhangban történt: 2014/35/EU, 2014/30/EU és 2011/65/EU.

A gép gyártási éve, a gyártó ország és a gép száma a töltőkészüléken van feltüntetve.

A teljes EK megfelelőségi nyilatkozat az ANDREAS STIHL AG & Co. KG, Badstraße 115, 71336 Waiblingen, cégtől szerezhető be Németországból.

24 Általános biztonsági előírások az elektromos szerszámokhoz

24.1 Bevezető

Ez a fejezet a motoros meghajtású, elektromos kéziszerszámokra vonatkozó EN/IEC 62841 európai szabvány általános biztonsági előírásait ismereti.

A STIHL számára előírás, hogy a szövegeket kinyomtassa.

Az „Elektromos biztonság” című fejezetben az áramütés elkerülésére vonatkozóan közölt biztonsági előírások nem alkalmazhatók akkumulátoros üzemű STIHL termékekre.



FIGYELMEZTETÉS

Olvassa el az összes biztonsági előírást, utasítást, ábrát és műszaki adatot, amelyekkel ezt az elektromos kéziszerszámot ellátták. Ha nem tartja be az alábbi utasításokat, annak áramütés, égési sérülés és/vagy súlyos sérülés lehet a következménye. **Őrizze meg az összes biztonsági előírást és utasítást a későbbi használathoz.**

A biztonsági előírásokban használt „elektromos szerszám” megjelölés egyaránt vonatkozik a hálózati árammal működtetett (hálózati vezetékkel rendelkező), valamint az akkumulátorról működtetett (hálózati vezeték nélküli) elektromos szerszámokra.

24.2 Munkaterületi biztonság

- A munkaterület legyen mindig tiszta és jól megvilágított.** A rendetlen vagy a meg nem világított munkaterület balesetveszélyes.
- Az elektromos szerszámmal tilos robbanásveszélyes környezetben dolgozni, ahol éghető folyadék, gáz vagy por található.** Az elektromos szerszámok szikrákat keltenek, amelyek lángra lobbantathatják a porokat vagy gőzöket.
- Az elektromos szerszám használata közben tartsa távol a munkaterülettől gyerekeket és másokat.** Ha elterelik a figyelmét, elveszítheti a berendezés feletti uralmát.

24.3 Elektromos biztonság

- Az elektromos szerszám csatlakozódugója legyen a hálózati konnektorba illő. Tilos a csatlakozódugót bármilyen módon megváltoztatni. Tilos adapter-csatlakozódugót használni a védőföldeléses elektromos szerszámokhoz.** Kisebb az áramütés veszélye, ha nem módosítja a csatlakozódugót és a megfelelő dugaszolóaljzatot.
- Ne érjen hozzá földelt felületekhez, mint pl. csövek, fűtés, tűzhely és hűtőszekrény.** Nagyobb az áramütés veszélye, ha az Ön teste földelt.
- Az elektromos szerszámot ne érje eső és nedvesség.** Növeli az az áramütés veszélyét, ha az elektromos szerszámba víz kerül.
- A vezetéket ne használja semmi másra, pl. az elektromos szerszám hordására, felakasztására vagy arra, hogy a csatlakozódugót a hálózati csatlakozóaljzatból annál fogva húzza ki. Tartsa távol a vezetéket melegtől, olajtól, éles szélektől, valamint a gép mozgó részeitől.** A sérült vagy az összegabalyodott vezetékek növelik az áramütés veszélyét.
- Ha az elektromos szerszámmal a szabadban dolgozik, csak olyan hosszabbító vezetéket alkalmazzon, amelynek használata a szabadban kifejezetten engedélyezett.** A szabadban történő használatra engedélyezett hosszabbító vezeték alkalmazása csökkenti az áramütés veszélyét.

- f) **Ha az elektromos szerszám működtetése nedves környezetben feltétlenül szükséges, használjon FI-relét (hibaáram-védőkapcsolót).** A FI relé alkalmazása csökkenti az áramütés veszélyét.

24.4 Személyi biztonság

- a) **Figyelmesen dolgozzon, figyeljen arra, amit csinál, és körültekintően bánjon az elektromos szerszámmal. Tilos használni az elektromos szerszámot fáradtság esetén, valamint drogok, alkohol vagy gyógyszerek hatása alatt.** Az elektromos szerszám használata közbeni pillanatnyi figyelemkiesés is súlyos sérülésekkel járhat.
- b) **Mindig viseljen egyéni védőfelszerelést, és mindig hordjon védőszemüveget.** Az elektromos szerszám fajtájától és alkalmazásától függő személyi védőfelszerelés, úgymint a porvédő maszk, csúszásmentes biztonsági cipő, védősisak vagy zajvédő viselése csökkenti a sérülések veszélyét.
- c) **Kerülje el a véletlenszerű üzembe helyezést. Győződjön meg arról, hogy az elektromos szerszám kikapcsolt állapotban van, mielőtt az áramellátáshoz és/vagy az akkumulátorhoz csatlakoztatja, felveszi vagy viszi.** Ha az elektromos szerszám vitélekor az ujjá a kapcsolón van, vagy ha bekapcsolt állapotban csatlakoztatja az áramellátáshoz, könnyen baleset történhet.
- d) **Az elektromos szerszám bekapcsolása előtt távolítsa el a beállításához szükséges szerszámokat és villáskulcsokat.** A berendezés forgó részén lévő szerszám vagy kulcs sérülést okozhat.
- e) **Kerülje a rendellenes testtartást. Ügyeljen a szilárd álláshelyzetre, és mindig tartsa meg egyensúlyát.** Ezáltal váratlan helyzet esetén is biztosabban meg tudja tartani az elektromos szerszámot.
- f) **Viseljen megfelelő ruházatot. Tilos a bő ruházat és ékszerek viselése. Haját és ruházatát tartsa távol a mozgó alkatrészekről.** A laza ruházat, az ékszer vagy a hosszú haj beleakadhat a mozgó alkatrészekbe.

- g) **Amennyiben lehetőség van porelszívó- és -felfogó berendezések felszerelésére, ezeket csatlakoztassa és használja helyesen.** A porelszívó adapter alkalmazása csökkenti a por általi veszélyeztetést.
- h) **Ne adja át magát hamis biztonságérzetnek és ne hagyja figyelmen kívül az elektromos szerszámokra vonatkozó biztonsági előírásokat, még akkor sem, ha már úgy érzi, többszöri használat után már kellően jártas az elektromos szerszám kezelését illetően.** A figyelmetlen használat a másodperc tört része alatt súlyos sérülésekhez vezethet.

24.5 Az elektromos szerszám használata és kezelése

- a) **Tilos túlterhelni a berendezést. A munkavégzéshez használja az ahhoz legjobban illő elektromos szerszámot.** A megfelelő elektromos szerszámmal a meghatározott teljesítménytartományon belül sokkal jobban és biztonságosabban végezheti a munkáját.
- b) **Tilos használni olyan elektromos szerszámot, amelynek rossz a kapcsolója.** Az olyan elektromos szerszám, amely nem kapcsolható be vagy ki, veszélyes, ezért meg kell javítani.
- c) **Húzza ki a csatlakozódugót a hálózati csatlakozóaljzatból, és/vagy távolítsa el a levehető akkumulátort, mielőtt gépbeállítást végezne, munkaeszközrészeket cserélné vagy az elektromos szerszámot eltenné.** Ezzel az óvintézkedéssel megakadályozza az elektromos szerszám véletlen beindulását.
- d) **Az elektromos szerszámot olyan helyen tárolja, ahol gyermekek nem férhetnek hozzá. Ne használja olyan személy a berendezést, aki nem ismeri a használatát vagy nem olvasta el a használati utasítást.** Az elektromos szerszám használata nagyon veszélyes, ha azt tapasztalatlan személy használja.
- e) **Gondosan tartsa karban az elektromos szerszámokat és a munkaeszközöket. Ellenőrizze, hogy a mozgó alkatrészek kifogástalanul működnek, nem akadnak, az alkatrészek nem törtek vagy sérültek, mert ezek hátrányosan befolyásolják az elektromos szerszám működését. A**

sérült alkatrészeket az elektromos szerszám használata előtt javíttassa meg. Sok balesetet okoznak a rosszul karbantartott elektromos szerszámok.

- f) **A vágószerszámokat tartsa éles és tiszta állapotban.** Az éles vágóélű, gondosan ápoltt vágószerszámok kevésbé szorulnak be, és könnyebben irányíthatóak.
- g) **Az elektromos szerszámot, a munkaeszközt, munkaeszközöket stb. kizárólag ezeknek az utasításoknak megfelelően használja. Vegye figyelembe emellett a munkafeltételeket és az elvégzendő munkátot.** Veszélyes helyzeteket okozhat, ha az elektromos szerszámot nem a rendeltetése szerinti célra használja.
- h) **Tartsa mindig szárazon, tisztán, olaj- és zsírmintesen a markolatokat és a fogantyúfelületeket.** A csúszós markolatok és fogantyúfelületek nem teszik lehetővé az elektromos szerszám biztonságos kezelését és irányítását az előre nem látható szituációkban.

24.6 Az akkumulátoros szerszám használata és kezelése

- a) **Csak a gyártó által ajánlott töltő készülékkel töltsse fel az akkumulátort.** Egy olyan töltő készülék esetében, amelyik csak bizonyos akkumulátor fajtákhoz használható, fennáll a tűzveszély, amennyiben más fajta akkumulátort töltenek fel vele.
- b) **Az elektromos szerszámokban csak az arra célra szánt akkumulátorokat használja.** Más akkumulátorok használata sérülést és tüzet okozhat.
- c) **A használaton kívüli akkumulátort tartsa távol az irodai gémkapcsoktól, érméktől, szegektől, csavaroktól és más olyan kisméretű fém tárgytól, amelyek az érintkezők rövidzárlatát okozhatják.** Az akkumulátor érintkezők közötti rövidzárlat égési sérülést, vagy tüzet okozhat..
- d) **Hibás használat során az akkumulátorból kifolyhat a benne lévő folyadék. Ne érjen önhöz a folyadék. Ha véletlenül érintkezett vele, öblítse le vízzel. Ha a folyadék a szemébe kerül, a kimosáson kívül haladéktalanul forduljon orvoshoz.** A kifolyó akkumulátor folyadék bőrpírt, vagy égést is okozhat.

e) **Ne használjon sérült vagy módosított akkumulátort.** A sérült vagy módosított akkumulátorok előre nem látható módon viselkedhetnek és tűz-, robbanás- vagy sérülésveszélyhez vezethetnek.

- f) **Soha ne tegyen ki akkumulátort tűznek vagy túl magas hőmérsékletnek.** A tűz, vagy a 130 °C (265 °F) feletti hőmérséklet robbanást idézhet elő.
- g) **Kövesse a töltésre vonatkozó összes előírást és soha ne töltsse az akkumulátort vagy az akkumulátoros szerszámot az üzemeltetési útmutatóban meghatározott hőmérsékleti tartományon kívül.** A hibás, vagy az engedélyezett hőmérsékleti tartományon kívüli töltés az akkumulátor károsodásához és a tűzveszély növekedéséhez vezethet.

24.7 Szerviz

- a) **Az elektromos szerszámokat csakis szakképzett szakemberekkel és csakis eredeti alkatrészeket felhasználva javíttassuk meg.** Ezáltal biztosított az, hogy az elektromos szerszám használata továbbra is biztonságos marad.
- b) **Sérült akkumulátorok karbantartása, javítása tilos!** Az akkumulátorok karbantartását, javítását kizárólag a gyártó, vagy a gyártó által felhatalmazott ügyfélszolgálatok végezhetik.

Índice

1	Prefácio	288	7.1	Incorporar e desmontar a barra guia e a corrente	304
2	Informações relativas a este manual de instruções	288	7.2	Esticar a corrente	305
2.1	Documentos legais	288	7.3	Lubrificar a corrente	305
2.2	Identificação das advertências no texto	288	8	Colocação e remoção da bateria	306
2.3	Símbolos no texto	288	8.1	Colocar a bateria	306
3	Vista geral	289	8.2	Retirar a bateria	306
3.1	Cortador de arbustos, bateria e carregador	289	9	Ligar e desligar o cortador de arbustos	306
3.2	Símbolos	290	9.1	Ligar o cortador de arbustos	306
4	Indicações de segurança	290	9.2	Desligar o cortador de arbustos	306
4.1	Símbolos de aviso	290	10	Verificar o cortador de arbustos e a bateria	307
4.2	Utilização prevista	291	10.1	Verificar o carroto	307
4.3	Requisitos dos utilizadores	291	10.2	Verificar a barra guia	307
4.4	Vestuário e equipamento	292	10.3	Verificar a corrente	307
4.5	Zona de trabalho e meio circundante	293	10.4	Verificar a cobertura de proteção	308
4.6	Estado de acordo com as exigências de segurança	294	10.5	Verificar os elementos de comando	308
4.7	Trabalho	296	10.6	Verificar a bateria	309
4.8	Forças de reacção	298	11	Trabalhar com o cortador de arbustos	309
4.9	Carregamento	298	11.1	Segurar e conduzir o cortador de arbustos	309
4.10	Estabelecer a ligação elétrica	298	11.2	Cortar	309
4.11	Transporte	299	12	Após o trabalho	309
4.12	Armazenamento	300	12.1	Após o trabalho	309
4.13	Limpeza, manutenção e reparação	301	13	Transporte	309
5	Tornar o cortador de arbustos operacional	302	13.1	Transportar o cortador de arbustos	309
5.1	Tornar o cortador de arbustos operacional	302	13.2	Transportar a bateria	310
6	Carregamento da bateria e LEDs	302	13.3	Transportar o carregador	310
6.1	Montar o carregador numa parede	302	14	Armazenamento	310
6.2	Carregar a bateria	303	14.1	Guardar o cortador de arbustos	310
6.3	Indicação do nível de carga	303	14.2	Armazenamento da bateria	310
6.4	LEDs no cortador de arbustos	303	14.3	Armazenamento do carregador	310
6.5	LED no carregador	303	15	Limpeza	311
7	Montar o cortador de arbustos	304	15.1	Limpar o cortador de arbustos	311
			15.2	Limpar a barra guia e a corrente	311
			15.3	Limpeza da bateria	311

Estas Instruções de serviço são protegidas pelos direitos de autor. Todos os direitos ficam reservados, particularmente o direito de reprodução, da tradução e do tratamento com sistemas electrónicos.

15.4 Limpeza do carregador	311	24.6 Utilização e manuseamento da ferramenta a bateria	322
16 Fazer a manutenção	312	24.7 Serviço de assistência técnica	322
16.1 Afiar a corrente	312		
17 Reparar	312		
17.1 Reparar o cortador de arbustos, a bateria e o carregador	312		
18 Eliminação de avarias	313		
18.1 Eliminar avarias do cortador de arbustos ou da bateria	313		
18.2 Eliminar avarias no carregador	314		
19 Dados técnicos	316		
19.1 Cortador de arbustos STIHL GTA 26	316		
19.2 Carretos	316		
19.3 Profundidade mínima da ranhura das guias	316		
19.4 Bateria STIHL AS	316		
19.5 Carregador STIHL AL 1	316		
19.6 Linhas de extensão	316		
19.7 Valores nominais e valores de vibração	316		
19.8 REACH	317		
20 Combinações de guias e correntes	318		
20.1 Cortador de arbustos STIHL GTA 26	318		
21 Peças de reposição e acessórios	319		
21.1 Peças de reposição e acessórios	319		
22 Eliminar	319		
22.1 Eliminar o cortador de arbustos, a bateria e o carregador	319		
23 Declaração de conformidade CE	319		
23.1 Cortador de arbustos STIHL GTA 26	319		
23.2 Indicação de conformidade do carregador STIHL AL 1	320		
24 Indicações de segurança gerais para ferramentas eléctricas	320		
24.1 Introdução	320		
24.2 Segurança no local de trabalho	320		
24.3 Segurança elétrica	320		
24.4 Segurança de pessoas	321		
24.5 Utilização e manuseamento da ferramenta elétrica	321		


1 Prefácio

Estimados clientes,

ficamos muito satisfeitos pelo facto de ter escolhido a STIHL. Desenvolvemos e fabricamos os nossos produtos com a máxima qualidade e de acordo com as necessidades dos nossos clientes. Por isso, os produtos oferecem uma elevada fiabilidade mesmo sob condições de esforço extremo.

Também na assistência a STIHL é uma marca de excelência. O nosso revendedor autorizado garante aconselhamento e formação competente, e um acompanhamento técnico aprofundado.

Agradecemos a sua confiança e esperamos que aprecie o seu produto STIHL.



Dr. Nikolas Stihl

IMPORTANTE! LER E GUARDAR ANTES DA UTILIZAÇÃO.

2 Informações relativas a este manual de instruções

2.1 Documentos legais

São válidas as indicações de segurança locais.

- ▶ Além deste manual de instruções, devem ser lidos, compreendidos e guardados os seguintes documentos:
 - Informações sobre o óleo multiusos STIHL Multioil Bio: www.stihl.com/safety-data-sheets
 - Informação relativa à segurança para baterias e produtos com bateria incorporada da STIHL: www.stihl.com/safety-data-sheets

2.2 Identificação das advertências no texto



PERIGO

A indicação chama a atenção para perigos que provocam ferimentos graves ou a morte.

- ▶ As medidas mencionadas podem evitar ferimentos graves ou a morte.



ATENÇÃO

A indicação chama a atenção para perigos que **podem** provocar ferimentos graves ou a morte.

- ▶ As medidas mencionadas podem evitar ferimentos graves ou a morte.

AVISO

A indicação chama a atenção para perigos que podem provocar danos materiais.

- ▶ As medidas mencionadas podem evitar danos materiais.

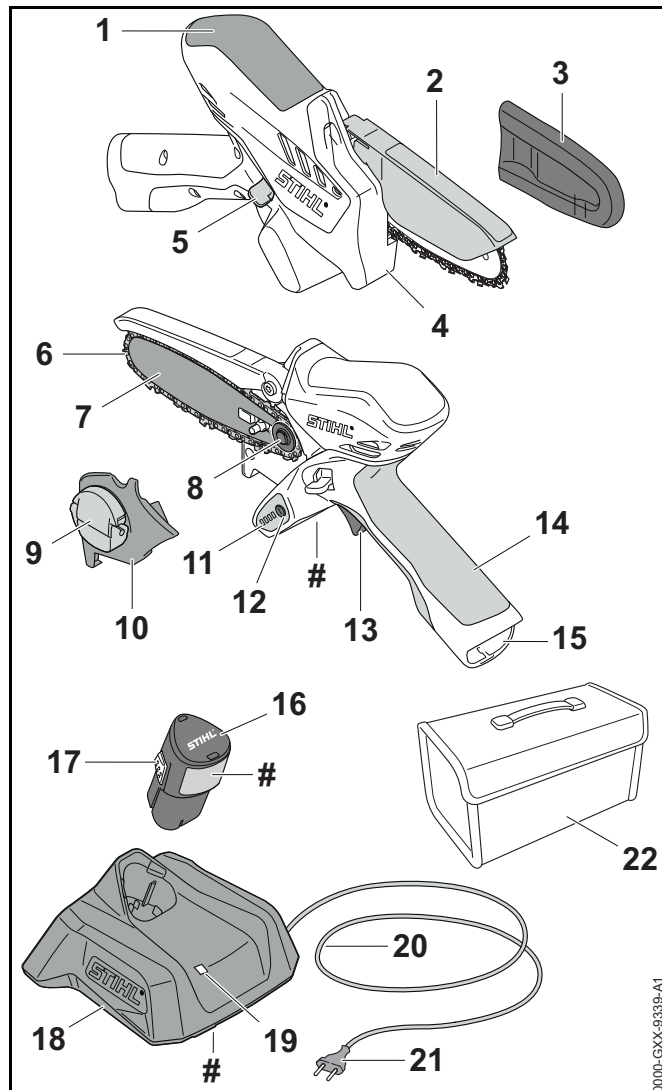
2.3 Símbolos no texto



Este símbolo faz referência a um capítulo deste manual de instruções.

3 Vista geral

3.1 Cortador de arbustos, bateria e carregador



1 Ponto de pegar

O ponto de pegar destina-se a segurar e conduzir o cortador de arbustos.

2 Cobertura de proteção

A cobertura de proteção protege contra o contacto com a corrente.

3 Proteção da corrente

A proteção da corrente protege contra o contacto com a corrente.

4 Encosto

O encosto apoia o cortador de arbustos na madeira durante o trabalho.

5 Alavanca de bloqueio

A alavanca de bloqueio desbloqueia a alavanca de comando.

6 Corrente

A corrente corta a madeira.

7 Barra guia

A barra guia conduz a corrente.

8 Carreto

O carreto aciona a corrente.

9 Porca de orelhas

A porca de orelhas fixa a tampa do carreto no cortador de arbustos.

10 Tampa do carreto

A tampa do carreto cobre o carreto e prende a barra guia no cortador de arbustos.

11 LEDs

Os LEDs mostram o nível de carga da bateria e indicam avarias.

12 Tecla de pressão

A tecla de pressão ativa os LEDs no cortador de arbustos.

13 Alavanca de comando

A alavanca de comando liga e desliga o cortador de arbustos.

14 Cabo de operação

O cabo de operação destina-se a operar, segurar e conduzir o cortador de arbustos.

15 Compartimento da bateria

O compartimento da bateria aloja a bateria.

16 Bateria

A bateria fornece energia ao cortador de arbustos.

17 Gancho de entalhe

O gancho de entalhe mantém a bateria no compartimento da bateria.

18 Carregador

O carregador carrega a bateria.

19 LED

O LED mostra o estado do carregador.

20 Linha de conexão

A linha de conexão liga o carregador à ficha de rede.

21 Ficha de rede

A ficha de rede liga a linha de conexão a uma tomada

22 Bolsa

A bolsa destina-se ao transporte e ao armazenamento do cortador de arbustos, da bateria e do carregador. A bolsa apenas está incluída no conjunto (composto pelo cortador de arbustos, pela bateria e pelo carregador).

Placa de identificação com número da máquina**3.2 Símbolos**

Os símbolos podem estar presentes no cortador de arbustos, na bateria e no carregador e têm o seguinte significado:



Este símbolo indica o sentido da marcha da corrente.



O LED está aceso ou pisca a verde. A bateria está a ser carregada.



O LED emite uma luz intermitente vermelha. Entre a bateria e o carregador não existe nenhum contacto elétrico ou existe uma avaria na bateria ou no carregador.



Comprimento de uma barra guia que deve ser usada.



Tornar o nível da potência sonora garantido comparável com as emissões de ruído de produtos conforme a diretiva 2000/14/CE em dB(A).



A indicação ao lado do símbolo chama a atenção para o conteúdo energético da bateria de acordo com a especificação do fabricante das células. O conteúdo energético disponível durante a utilização é menor.



Usar o aparelho elétrico num local fechado e seco.



Não eliminar o produto no lixo doméstico indiferenciado.



Ler, compreender e guardar o manual de instruções.

4 Indicações de segurança**4.1 Símbolos de aviso**

Os símbolos de aviso presentes no cortador de arbustos, na bateria ou no carregador têm os seguintes significados:



Siga as instruções de segurança e as respetivas medidas.



Ler, compreender e guardar o manual de instruções.



Usar óculos de proteção.



Segurar no cortador de arbustos com as duas mãos.



Não tocar na corrente que está em movimento.



Retirar a bateria durante pausas no trabalho, transporte, armazenamento, manutenção ou reparação.



Proteger o cortador de arbustos e o carregador da chuva e da humidade.



Proteger a bateria do calor e do fogo.



Proteger a bateria da chuva e da humidade e não mergulhar em líquidos.

4.2 Utilização prevista

O cortador de arbustos STIHL GTA 26 destina-se a cortar madeira.

O cortador de arbustos não deve ser usado à chuva.

A bateria STIHL AS fornece energia ao cortador de arbustos.

O carregador STIHL AL 1 permite o carregamento da bateria STIHL AS.

⚠ ATENÇÃO

- Baterias e carregadores, não autorizados pela STIHL para o cortador de arbustos, podem provocar incêndios e explosões. Podem ocorrer ferimentos graves ou mortais em pessoas e danos materiais.
 - ▶ Usar o cortador de arbustos com uma bateria STIHL AS.
 - ▶ Carregar a bateria STIHL AS com um carregador STIHL AL 1.
- Caso o cortador de arbustos, a bateria ou o carregador não sejam usados conforme o previsto, podem ocorrer ferimentos graves ou mortais em pessoas e danos materiais.
 - ▶ Efetuar a limpeza do cortador de arbustos, da bateria e do carregador tal como descrito neste manual de instruções.

4.3 Requisitos dos utilizadores

⚠ ATENÇÃO

- Utilizadores sem formação não conseguem identificar nem avaliar os perigos do cortador de arbustos, da bateria nem do carregador. O utilizador ou outras pessoas podem ferir-se com gravidade ou perder a vida.



- ▶ Ler, compreender e guardar o manual de instruções.

- ▶ Caso o cortador de arbustos, a bateria ou o carregador sejam entregues a outra pessoa: entregar o manual de instruções.

- ▶ Certificar-se de que o utilizador cumpre os seguintes requisitos:
 - O utilizador não está cansado.
 - O utilizador está fisicamente, mentalmente e psicologicamente apto para operar e trabalhar com o cortador de arbustos, a bateria e o carregador. Caso o utilizador não esteja fisicamente, mentalmente ou psicologicamente apto, apenas deverá trabalhar sob vigilância ou seguindo as instruções de uma pessoa responsável.
 - O utilizador consegue identificar e avaliar os riscos do cortador de arbustos, da bateria e do carregador.
 - O utilizador é maior de idade ou o utilizador está a receber formação na sua função sob supervisão de acordo com os regulamentos nacionais.
 - O utilizador recebeu uma formação de um revendedor especializado da STIHL ou de uma pessoa tecnicamente competente, antes de ter trabalhado pela primeira vez com o cortador de arbustos e usado o carregador.
 - O utilizador não está sob a influência de álcool, medicamentos ou drogas.
- ▶ Em caso de dúvidas: Consultar um revendedor especializado da STIHL.

4.4 Vestuário e equipamento

▲ ATENÇÃO

- Durante o trabalho, cabelos compridos correm o risco de serem puxados pelo cortador de arbustos. O utilizador pode sofrer ferimentos graves.
 - ▶ Prender os cabelos compridos e certificar-se de que ficam presos acima dos ombros.
- Durante o trabalho, podem ser lançados objetos a alta velocidade. O utilizador pode sofrer ferimentos.



- ▶ Usar óculos de proteção justos. Os óculos de proteção adequados são verificados de acordo com a norma EN 166 ou com as disposições nacionais e estão disponíveis comercialmente com a correspondente identificação.
 - ▶ Usar calças compridas.
- Objetos em queda podem provocar ferimentos na cabeça.
 - ▶ Caso possam cair objetos durante o trabalho: usar capacete de proteção.
- Durante o trabalho pode levantar-se poeira. As poeiras inaladas podem ser nocivas para a saúde e provocar reações alérgicas.
 - ▶ Caso se levante poeira: usar uma máscara de proteção contra poeira.
- Vestuário desadequado pode prender-se em madeira, mato e no cortador de arbustos. Um utilizador sem vestuário adequado pode sofrer ferimentos graves.
 - ▶ Usar vestuário justo ao corpo.
 - ▶ Não usar cachecol/lenço nem adornos.
- Durante o trabalho o utilizador pode cortar-se na madeira. Durante a limpeza ou manutenção o utilizador pode entrar em contacto com a corrente. O utilizador pode sofrer ferimentos.
 - ▶ Use luvas de proteção de material resistente.
- O utilizador pode escorregar caso use calçado desadequado. O utilizador pode sofrer ferimentos.
 - ▶ Usar calçado fechado e resistente com solas antiderrapantes.

4.5 Zona de trabalho e meio circundante

4.5.1 Cortador de arbustos

ATENÇÃO

- Pessoas não envolvidas, crianças e animais não conseguem identificar nem avaliar os riscos do cortador de arbustos e de objetos projetados a alta velocidade. Pessoas não envolvidas, crianças e animais podem ferir-se com gravidade e podem ocorrer danos materiais.
 - ▶ Manter pessoas não envolvidas, crianças e animais afastadas da zona de trabalho.
 - ▶ Não deixar o cortador de arbustos sem supervisão.
 - ▶ Assegurar que as crianças não conseguem brincar com o cortador de arbustos.
- O cortador de arbustos não é resistente à água. Pode ocorrer um choque elétrico caso se trabalhe à chuva ou num ambiente húmido. O utilizador pode sofrer ferimentos e o cortador de arbustos pode ser danificado.



- ▶ Não trabalhar à chuva nem em ambientes húmidos.

- Os componentes elétricos do cortador de arbustos podem gerar faíscas. Num ambiente facilmente inflamável ou explosivo as faíscas podem provocar incêndios e explosões. Podem ocorrer ferimentos graves ou mortais em pessoas e danos materiais.
 - ▶ Não trabalhar num ambiente facilmente inflamável nem explosivo.

4.5.2 Bateria

ATENÇÃO

- Pessoas não envolvidas, crianças e animais não conseguem identificar nem avaliar os riscos da bateria. Pessoas não envolvidas, crianças e animais podem ferir-se com gravidade.
 - ▶ Manter pessoas não envolvidas, crianças e animais afastados.
 - ▶ Não deixar a bateria sem supervisão.
 - ▶ Assegurar que as crianças não conseguem brincar com a bateria.
- A bateria não está protegida contra todas as influências ambientais. A bateria pode incendiar-se ou explodir caso seja sujeita a determinadas influências ambientais. Podem ocorrer ferimentos graves em pessoas e danos materiais.



- ▶ Proteger a bateria do calor e do fogo.
- ▶ Não atirar a bateria para o fogo.

- ▶ Utilizar e guardar a bateria numa gama de temperaturas entre - 20 °C e + 50 °C.



- ▶ Proteger a bateria da chuva e da humidade e não mergulhar em líquidos.

- ▶ Manter a bateria afastada de objetos metálicos.
- ▶ Não sujeitar a bateria a uma pressão elevada.
- ▶ Não expor a bateria a micro-ondas.
- ▶ Proteger a bateria de produtos químicos e sais.

4.5.3 Carregador

⚠ ATENÇÃO

- Pessoas não envolvidas, crianças não conseguem identificar nem avaliar os perigos do carregador e da corrente elétrica. Pessoas não envolvidas, crianças e animais podem ferir-se com gravidade ou morrer.
 - ▶ Manter pessoas não envolvidas, crianças e animais afastados.
 - ▶ **Assegurar que as crianças não conseguem brincar com o carregador.**
- O carregador não é resistente à água. Pode ocorrer um choque elétrico caso se trabalhe à chuva ou num ambiente húmido. O utilizador pode sofrer ferimentos e o carregador pode ser danificado.



- ▶ Não usar à chuva nem em ambientes húmidos.

- O carregador não está protegido contra todas as influências atmosféricas. O carregador pode incendiar-se ou explodir caso seja sujeito a determinadas influências atmosféricas. Podem ocorrer ferimentos graves em pessoas e danos materiais.
 - ▶ Usar o carregador num local fechado e seco.
 - ▶ Não operar o carregador num ambiente facilmente inflamável nem explosivo.
 - ▶ Não operar o carregador por cima de uma base facilmente inflamável.
 - ▶ Usar e guardar o carregador na gama de temperaturas entre - 20 °C e + 50 °C.
- As pessoas podem tropeçar na linha de conexão. As pessoas podem ferir-se e o carregador pode ser danificado.
 - ▶ Instalar a linha de conexão horizontalmente sobre o chão.

4.6 Estado de acordo com as exigências de segurança

4.6.1 Cortador de arbustos

O cortador de arbustos cumpre as exigências de segurança, caso estejam satisfeitas as seguintes condições:

- O cortador de arbustos não está danificado.
- O cortador de arbustos está limpo e seco.
- A cobertura de proteção está incorporada.
- A cobertura de proteção não apresenta danos nem alterações.
- Os elementos de comando funcionam e não foram modificados.
- A corrente está lubrificada.
- Os vestígios de rodagem do carroto não são mais profundos do que 0,5 mm.
- Está instalada uma combinação de barra guia e corrente mencionada neste manual de instruções.
- A barra guia e a corrente estão montadas corretamente.
- A corrente está esticada corretamente.
- Apenas estão incorporados acessórios originais da STIHL para este cortador de arbustos.
- Os acessórios estão corretamente montados.


⚠ ATENÇÃO

- Se não estiverem em condições de funcionamento seguro, os componentes poderão deixar de funcionar corretamente e os dispositivos de segurança poderão ser desligados. As pessoas podem sofrer ferimentos graves ou fatais.
 - ▶ Trabalhar com um cortador de arbustos sem danos.
 - ▶ Caso o cortador de arbustos esteja sujo ou húmido: limpar o cortador de arbustos e deixar secar.
 - ▶ Não alterar o cortador de arbustos. Exceção: incorporação de uma combinação de barra guia e corrente indicada neste manual de instruções.

- ▶ Usar o cortador de arbustos apenas com a cobertura de proteção incorporada.
- ▶ Se a cobertura de proteção estiver danificada ou alterada: não trabalhar com o cortador de arbustos.
- ▶ Caso os elementos de comando não funcionem: não trabalhar com o cortador de arbustos.
- ▶ Incorporar apenas acessórios originais da STIHL para este cortador de arbustos.
- ▶ Incorporar a barra guia e a corrente tal como descrito neste manual de instruções.
- ▶ Incorporar os acessórios tal como descrito neste manual de instruções ou no manual de instruções do acessório.
- ▶ Não inserir objetos nos orifícios do cortador de arbustos.
- ▶ Substituir as placas de indicação gastas ou danificadas.
- ▶ Caso existam dúvidas: consultar um revendedor especializado da STIHL.

4.6.2 Barra guia

A barra guia é segura se forem cumpridas as seguintes condições:

- A barra guia não está danificada.
- A barra guia não está desformada.
- A ranhura é tão ou mais profunda do que a profundidade mínima da ranhura  19.3.
- A ranhura não está estrangulada nem alargada.

⚠ ATENÇÃO

- Num estado que não cumpra as exigências de segurança, a barra guia pode deixar de conduzir a corrente corretamente. A corrente a girar pode saltar da barra guia. Podem ocorrer ferimentos graves ou mortais em pessoas.
 - ▶ Trabalhar com uma barra guia sem danos.
 - ▶ Caso a profundidade da ranhura seja inferior à profundidade mínima da ranhura: Substituir a barra guia.
 - ▶ Em caso de dúvidas: Consultar um revendedor especializado da STIHL.

4.6.3 Corrente

A corrente é segura se forem cumpridas as seguintes condições:

- A corrente não está danificada.
- A corrente está afiada corretamente.
- As marcações de desgaste nos dentes de corte são visíveis.

⚠ ATENÇÃO

- Num estado que não cumpra as exigências de segurança, os componentes podem deixar de funcionar corretamente e os equipamentos de segurança podem ser colocados fora de serviço. Podem ocorrer ferimentos graves ou mortais em pessoas.
 - ▶ Trabalhar com uma corrente sem danos.
 - ▶ Afiar corretamente a corrente.
 - ▶ Em caso de dúvidas: Consultar um revendedor especializado da STIHL.

4.6.4 Bateria

A bateria encontra-se num estado seguro, se forem cumpridas as seguintes condições:

- A bateria está intacta.
- A bateria está limpa e seca.

- A bateria funciona e não foi modificada.

⚠ ATENÇÃO

- Se não estiver num estado seguro, a bateria deixará de funcionar em segurança. As pessoas podem ferir-se gravemente.
 - ▶ Trabalhe com uma bateria sem danos e funcional.
 - ▶ Não carregue uma bateria danificada ou com defeito.
 - ▶ Caso a bateria esteja suja ou molhada: limpe a bateria e deixe-a secar.
 - ▶ Não modifique a bateria.
 - ▶ Não insira objetos nas aberturas da bateria.
 - ▶ Não faça a ligação nem estabeleça curto-circuito de contactos elétricos da bateria com objetos metálicos.
 - ▶ Não abra a bateria.
 - ▶ Substitua as placas informativas gastas ou danificadas.
- Uma bateria danificada pode derramar líquido. Caso o líquido entre em contacto com a pele ou com os olhos, estes podem ficar irritados.
 - ▶ Evite o contacto com o líquido.
 - ▶ Caso haja contacto com a pele: lave as zonas afetadas abundantemente com água e sabão.
 - ▶ Caso haja contacto com os olhos: lave os olhos abundantemente com água durante 15 minutos e procure um médico.
- Uma bateria danificada pode ter um cheiro incomum, deitar fumo ou incendiar. As pessoas podem sofrer ferimentos graves ou fatais e podem ocorrer danos materiais.
 - ▶ Caso a bateria tenha um cheiro incomum ou deite fumo: não utilize a bateria e mantenha-a longe de substâncias inflamáveis.
 - ▶ Caso a bateria queime: tente apagar o fogo da bateria com um extintor ou água.

4.6.5 Carregador

O carregador cumpre as exigências de segurança, caso estejam satisfeitas as seguintes condições:

- O carregador não está danificado.
- O carregador está limpo e seco.

⚠ ATENÇÃO

- Num estado que não cumpra as exigências de segurança, os componentes podem deixar de funcionar corretamente e os equipamentos de segurança podem ser colocados fora de serviço. Podem ocorrer ferimentos graves ou mortais em pessoas.
 - ▶ Não usar um carregador danificado.
 - ▶ Caso o carregador esteja sujo ou molhado: Limpar o carregador e deixá-lo secar.
 - ▶ Não proceder a alterações no carregador.
 - ▶ Não inserir objetos nos orifícios do carregador.
 - ▶ Não ligar nem curto-circuitar os contactos elétricos do carregador a objetos metálicos.
 - ▶ Não abrir o carregador.

4.7 Trabalho

⚠ ATENÇÃO

- Se não existir ninguém ao alcance fora do local de trabalho, poderá não ser prestada ajuda em caso de acidente.
 - ▶ Certifique-se de que existem pessoas ao alcance fora do local de trabalho.
- Em determinadas situações, o utilizador poderá perder a concentração. O utilizador pode perder o controlo sobre o cortador de arbustos, tropeçar, cair e ferir-se com gravidade.
 - ▶ Trabalhar com calma e concentração.
 - ▶ Caso as condições de luz e de visibilidade não sejam boas: Não trabalhar com o cortador de arbustos.

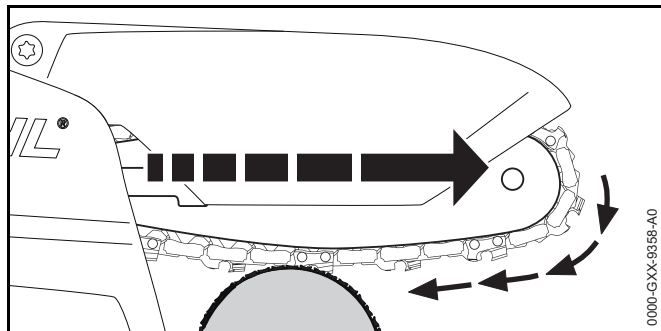
- ▶ Usar a cortador de arbustos sozinho.
- ▶ Não trabalhar acima da altura dos ombros.
- ▶ Prestar atenção aos obstáculos.
- ▶ Trabalhar em pé no solo e manter o equilíbrio. Em trabalhos em altura necessita de: Usar uma plataforma de trabalho elevada ou um andaime seguro.
- ▶ Se começarem a surgir sinais de cansaço: Fazer uma pausa no trabalho.
- A corrente em movimento pode ferir o utilizador. O utilizador pode ser ferido com gravidade.
 - ▶ Não tocar na corrente em movimento.
 - ▶ Se a corrente estiver bloqueada por um objeto: Desligar o cortador de arbustos e retirar a bateria. Só então é que o objeto deve ser removido.
- A corrente em movimento fica quente e expande-se. Caso a corrente não seja lubrificada o suficiente e seja esticada, pode saltar da barra guia ou rasgar-se. Podem ocorrer ferimentos graves em pessoas e danos materiais.
 - ▶ Usar o óleo multiusos STIHL Multioil Bio ou um óleo multiusos biodegradável semelhante.
 - ▶ Durante o trabalho lubrificar a corrente após cada carregamento da bateria.
 - ▶ Durante o trabalho verificar a tensão da corrente com regularidade. Caso a tensão da corrente seja demasiado baixa: Esticar a corrente.
- Durante o trabalho, a barra guia, a corrente e o carroto podem ficar muito quentes. O utilizador pode queimar-se.
 - ▶ Não tocar na barra guia, na corrente nem no carroto que estejam muito quentes.
 - ▶ Aguardar até que a barra guia, a corrente e o carroto tenham arrefecido.
 - ▶ Usar luvas de trabalho de material resistente.
- Se, durante o trabalho, o cortador de arbustos apresentar um comportamento diferente ou incomum, o cortador de arbustos poderá não estar a cumprir as exigências de segurança. Podem ocorrer ferimentos graves em pessoas e danos materiais.
 - ▶ Terminar o trabalho, retirar a bateria e consultar um revendedor especializado da STIHL.
- Durante o trabalho, o cortador de arbustos pode produzir vibrações.
 - ▶ Usar luvas.
 - ▶ Fazer pausas no trabalho.
 - ▶ Caso haja indícios de distúrbios circulatórios: Consultar um médico.
- Se a corrente em movimento tocar num objeto duro, podem produzir-se faíscas. As faíscas podem provocar incêndios num ambiente facilmente inflamável. Podem ocorrer ferimentos graves ou mortais em pessoas e danos materiais.
 - ▶ Não trabalhar num ambiente facilmente inflamável.
- Quando a alavanca de comando é solta, a corrente ainda funciona durante mais algum tempo. A corrente em movimento pode provocar ferimentos por corte em pessoas. Podem ocorrer ferimentos graves em pessoas.
 - ▶ Aguardar até que a corrente deixe de girar.

PERIGO

- Se houver necessidade de trabalhar no ambiente de linhas condutoras de tensão, a corrente pode entrar em contacto com as linhas sob tensão e danificá-las. O utilizador pode ser ferido com gravidade ou perder a vida.
 - ▶ Não trabalhar no ambiente de linhas condutoras de tensão.

4.8 Forças de reacção

4.8.1 Forças de reacção



Se o trabalho for feito com o lado inferior da barra guia, o cortador de arbustos é arrastado para longe do utilizador.

⚠ ATENÇÃO

- Se a corrente em movimento tocar num objeto duro e for travada rapidamente, o cortador de arbustos pode ser arrastado repentinamente para longe do utilizador. Podem ocorrer ferimentos em pessoas.
 - ▶ Segurar no cortador de arbustos com as duas mãos.
 - ▶ Trabalhar tal como descrito neste manual de instruções.
 - ▶ Trabalhar com a cobertura de proteção incorporada.
 - ▶ Trabalhar com uma cobertura de proteção funcional e não danificada.
 - ▶ Trabalhar com uma corrente corretamente afiada e esticada.
 - ▶ Introduzir a direita a barra guia no corte.
 - ▶ Colocar o encosto corretamente.
 - ▶ Trabalhar na potência máxima.

4.9 Carregamento

⚠ ATENÇÃO

- Durante o carregamento, um carregador danificado ou com defeito pode cheirar ou fumer de forma incomum. Podem ocorrer ferimentos em pessoas e danos materiais.
 - ▶ Tirar a ficha de rede da tomada de corrente.
- O carregador pode aquecer demasiado devido à dissipação insuficiente de calor e provocar um incêndio. Podem ocorrer ferimentos graves ou mortais em pessoas e danos materiais.
 - ▶ Não cobrir o carregador.

4.10 Estabelecer a ligação elétrica

O contacto com componentes sob tensão pode ocorrer devido às seguintes causas:

- A linha de conexão ou a linha de extensão está danificada.
- A ficha de rede da linha de conexão ou da linha de extensão está danificada.
- A tomada não está instalada corretamente.

⚠ PERIGO


- O contacto com componentes sob tensão pode provocar um choque elétrico. O utilizador pode ser ferido com gravidade ou perder a vida.
 - ▶ Certifique-se de que a linha de conexão, a linha de extensão e as suas fichas de rede não estão danificadas.



Caso a linha de conexão ou a linha de extensão esteja danificada:

- ▶ Não tocar no local danificado.
- ▶ Tirar a ficha de rede da tomada.

- ▶ Tocar na linha de conexão, na linha de extensão e nas suas fichas de rede com as mãos secas.

- ▶ Encaixar a ficha de rede da linha de conexão ou da linha de extensão numa tomada com proteção e instalada corretamente com ligação à terra.
- ▶ Ligar o carregador através de um interruptor de proteção de corrente com uma corrente de desativação (30 mA, 30 ms).
- Uma linha de extensão danificada ou desadequada pode provocar um choque elétrico. Podem ocorrer ferimentos graves ou mortais em pessoas.
 - ▶ Utilizar uma linha de extensão com a secção transversal correta,  19.6.

▲ ATENÇÃO

- Durante o carregamento, uma tensão de rede errada ou uma frequência de rede errada pode provocar sobretensão no carregador. O carregador pode ficar danificado.
 - ▶ Certifique-se de que a tensão e a frequência da rede de corrente coincidem com os dados presentes na placa de identificação do carregador.
- Uma linha de conexão e linha de extensão instalada incorretamente pode ficar danificada e fazer com que as pessoas tropecem nela. Podem ocorrer ferimentos em pessoas e danos na linha de conexão ou na linha de extensão.
 - ▶ Instalar e marcar a linha de conexão e a linha de extensão de forma que ninguém corra o risco de tropeçar.
 - ▶ Instalar a linha de conexão e a linha de extensão de forma que não sejam esticadas nem emaranhadas.
 - ▶ Instalar a linha de conexão e a linha de extensão de forma que não sejam danificadas, dobradas, esmagadas nem sofram fricção.
 - ▶ Proteger a linha de conexão e a linha de extensão do calor, do óleo e de produtos químicos.
 - ▶ Instalar a linha de conexão e a linha de extensão numa base seca.

- A linha de extensão aquece durante o trabalho. Se o calor não for dissipado pode provocar um incêndio.
 - ▶ Caso seja usado um tambor para cabos: Desenrolar completamente o tambor para cabos.
- Se passarem linhas elétricas ou tubos pela parede, estes podem ser danificados quando o carregador for montado na parede. O contacto com linhas elétricas pode provocar um choque elétrico. Podem ocorrer ferimentos graves em pessoas e danos materiais.
 - ▶ Garantir que no local previsto não passam linhas elétricas nem tubos pela parede.
- Caso o carregador não esteja montado na parede tal como descrito neste manual de instruções, o carregador ou a bateria podem cair ou o carregador pode aquecer demasiado. Podem ocorrer ferimentos em pessoas e danos materiais.
 - ▶ Montar o carregador na parede tal como descrito neste manual de instruções.
- Caso o carregador seja montado na parede com a bateria colocada, a bateria poderá cair do carregador. Podem ocorrer ferimentos em pessoas e danos materiais.
 - ▶ Montar primeiro o carregador na parede e só depois colocar a bateria.

4.11 Transporte

4.11.1 Cortador de arbustos

▲ ATENÇÃO

- Durante o transporte, o cortador de arbustos pode tombar ou mover-se. Podem ocorrer ferimentos em pessoas e danos materiais.



- ▶ Retirar a bateria.

- ▶ Empurrar a proteção da corrente por cima da barra guia, de forma a cobrir totalmente a barra guia.
- ▶ Transportar o cortador de arbustos na bolsa fornecida.

- ▶ Se não for fornecida nenhuma bolsa: Segurar o cortador de arbustos com esticadores, correias ou uma rede, de forma a não tombar nem se mover.

4.11.2 Bateria

⚠ ATENÇÃO

- A bateria não está protegida contra todas as influências ambientais. A bateria pode danificar-se e podem ocorrer danos materiais caso seja sujeita a determinadas influências ambientais.
 - ▶ Não transportar uma bateria danificada.
 - ▶ Transportar a bateria na bolsa fornecida.
- ▶ Se não for fornecida nenhuma bolsa: Transportar a bateria numa embalagem que não seja eletricamente condutora.
- Durante o transporte, a bateria pode tombar ou mover-se. Podem ocorrer ferimentos em pessoas e danos materiais.
 - ▶ Colocar a bateria na embalagem, de forma que não se possa mover.
 - ▶ Prender a embalagem de forma que não se possa mover.

4.11.3 Carregador

⚠ ATENÇÃO

- Durante o transporte, o carregador pode tombar ou mover-se. Podem ocorrer ferimentos em pessoas e danos materiais.
 - ▶ Tirar a ficha de rede da tomada.
 - ▶ Retirar a bateria.
 - ▶ Transportar o carregador na bolsa fornecida.
- ▶ Se não for fornecida nenhuma bolsa: Segurar o carregador com esticadores, correias ou uma rede, de forma a não tombar nem se mover.

- A linha de conexão não está prevista para o transporte do carregador. A linha de conexão e o carregador podem ficar danificados.
 - ▶ Enrolar a linha de conexão e fixá-la no carregador.

4.12 Armazenamento

4.12.1 Cortador de arbustos

⚠ ATENÇÃO

- As crianças não conseguem identificar nem avaliar os perigos do cortador de arbustos. As crianças podem ferir-se com gravidade.



- ▶ Retirar a bateria.

- ▶ Empurrar a proteção da corrente por cima da barra guia, de forma a cobrir totalmente a barra guia.
- ▶ Guardar o cortador de arbustos fora do alcance de crianças.
- Os contactos elétricos no cortador de arbustos e em componentes metálicos podem ficar corroidos devido à humidade. O cortador de arbustos pode ficar danificado.



- ▶ Retirar a bateria.

- ▶ Guardar o cortador de arbustos limpo e seco.

4.12.2 Bateria

⚠ ATENÇÃO

- As crianças não conseguem identificar nem avaliar os perigos da bateria. As crianças podem ferir-se com gravidade.
 - ▶ Guardar a bateria fora do alcance de crianças.
- A bateria não está protegida contra todas as influências ambientais. A bateria pode danificar-se caso seja sujeita a determinadas influências ambientais.
 - ▶ Guardar a bateria limpa e seca.
 - ▶ Guardar a bateria num local fechado.
 - ▶ Guardar a bateria num local separado do cortador de arbustos e do carregador.
 - ▶ Guardar a bateria numa embalagem que não seja eletricamente condutora.
 - ▶ Guardar a bateria numa gama de temperaturas entre - 20 °C e + 70 °C.

4.12.3 Carregador

⚠ ATENÇÃO

- As crianças não conseguem identificar nem avaliar os perigos de um carregador. As crianças podem ferir-se com gravidade ou perder a vida.
 - ▶ Retirar a bateria.
 - ▶ Guardar o carregador fora do alcance de crianças.
- O carregador não está protegido contra todas as influências atmosféricas. O carregador poderá ser danificado caso seja sujeito a determinadas influências atmosféricas.
 - ▶ Retirar a bateria.
 - ▶ Caso o carregador esteja quente: Deixar arrefecer o carregador.
 - ▶ Guardar o carregador limpo e seco.
 - ▶ Guardar o carregador num local fechado.

- ▶ Guardar o carregador numa gama de temperaturas entre - 20 °C e + 70 °C.
- A linha de conexão não está prevista para o transporte e suspensão do carregador. A linha de conexão e o carregador podem ficar danificados.
 - ▶ Agarrar e segurar o carregador pela caixa. Para facilitar o levantamento do carregador este possui uma cavidade para agarrar.
 - ▶ Pendurar o carregador no suporte de parede.

4.13 Limpeza, manutenção e reparação

⚠ ATENÇÃO

- Se, durante a limpeza, manutenção ou reparação, a bateria estiver colocada, o cortador de arbustos pode ligar-se involuntariamente. Podem ocorrer ferimentos graves em pessoas e danos materiais.



- ▶ Retirar a bateria.

- Produtos de limpeza agressivos, a limpeza com jato de água ou objetos afiados podem danificar o cortador de arbustos, a barra guia, a corrente, a bateria e o carregador. Caso o cortador de arbustos, a barra guia, a corrente, a bateria ou o carregador não sejam limpos corretamente, poderá haver componentes que deixarão de funcionar corretamente e equipamentos de segurança que ficarão fora de serviço. Podem ocorrer ferimentos graves em pessoas.
 - ▶ Efetuar a limpeza do cortador de arbustos, da barra guia, da corrente, da bateria e do carregador tal como descrito neste manual de instruções.
- Caso a manutenção e a reparação do cortador de arbustos, da barra guia, da corrente, da bateria e do carregador não sejam realizadas corretamente, poderá haver componentes que deixarão de funcionar













corretamente e equipamentos de segurança que ficarão fora de serviço. Podem ocorrer ferimentos graves ou mortais em pessoas.

- ▶ Não efetuar a manutenção ou reparação do cortador de arbustos, da bateria e do carregador por conta própria.
- ▶ Se o cortador de arbustos, a bateria ou o carregador necessitarem de manutenção ou reparação: Consultar um revendedor especializado da STIHL.
- ▶ Efetuar a manutenção ou reparação à barra guia e à corrente tal como descrito neste manual de instruções.
- Durante a limpeza ou manutenção da corrente, o utilizador pode cortar-se nos dentes de corte afiados. O utilizador pode ferir-se.
 - ▶ Usar luvas de trabalho de material resistente.

5 Tornar o cortador de arbustos operacional

5.1 Tornar o cortador de arbustos operacional

Antes do início do trabalho é necessário executar os seguintes passos:

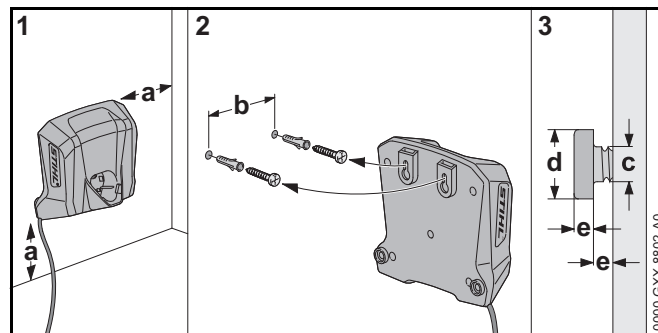
- ▶ Assegurar que os seguintes componentes cumprem as exigências de segurança:
 - Cortador de arbustos,  4.6.1.
 - Barra guia,  4.6.2.
 - Corrente,  4.6.3.
 - Bateria,  4.6.4.
 - Carregador,  4.6.5.
- ▶ Verificar a bateria,  10.6.
- ▶ Carregar a bateria na totalidade,  6.2.
- ▶ Limpar o cortador de arbustos,  15.1.
- ▶ Incorporar a barra guia e a corrente,  7.1.1.
- ▶ Esticar a corrente,  7.2.
- ▶ Lubrificar a corrente,  7.3.
- ▶ Verificar os elementos de comando,  10.5.

- ▶ Se, durante a verificação dos elementos de comando, 3 LEDs emitirem uma luz intermitente vermelha: Retirar a bateria e consultar um revendedor especializado da STIHL.
Há uma avaria no cortador de arbustos.
- ▶ Caso os passos não possam ser executados: Não utilizar o cortador de arbustos e consultar um revendedor especializado da STIHL.

6 Carregamento da bateria e LEDs

6.1 Montar o carregador numa parede

O carregador pode ser montado numa parede.



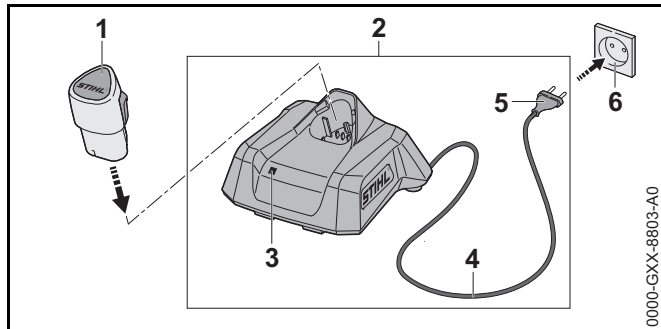
- ▶ Montar o carregador numa parede de forma a cumprir as seguintes condições:
 - É usado material de fixação adequado.
 - O carregador está na horizontal.
 - Respeitar as seguintes medidas:
 - a = pelo menos 100 mm
 - b = 54 mm
 - c = 4,5 mm
 - d = 9 mm
 - e = 2,5 mm

6.2 Carregar a bateria

O tempo de carregamento depende de diferentes fatores, por ex. da temperatura da bateria ou da temperatura ambiente. O tempo de carregamento real pode divergir do tempo de carregamento indicado. O tempo de carregamento está indicado em www.stihl.com/charging-times.

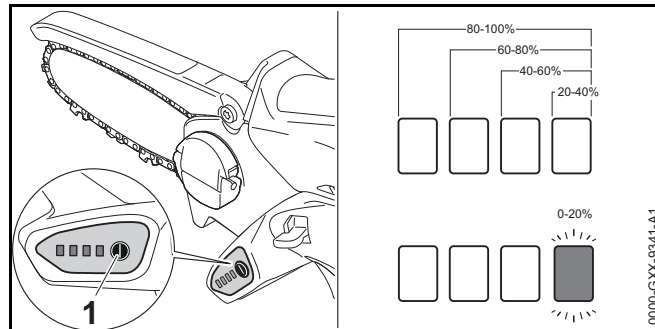
O processo de carregamento começa automaticamente quando a ficha de rede estiver encaixada na tomada e a bateria estiver inserida no carregador. O carregador desliga-se automaticamente quando a bateria estiver totalmente carregada.

A bateria e o carregador aquecem durante o carregamento.



- ▶ Inserir a ficha de rede (5) numa tomada facilmente acessível (6).
O carregador (2) executa um teste automático. O LED (3) acende-se durante aprox. 1 segundo a verde e durante aprox. 1 segundo a vermelho.
- ▶ Instalar a linha de conexão (4).
- ▶ Colocar a bateria (1) nas guias do carregador (2) e pressionar até encostar.
O LED (3) está aceso ou pisca a verde. A bateria (2) está a ser carregada.
- ▶ Caso o LED (3) deixe de estar aceso: A bateria (1) está totalmente carregada e pode ser removida do carregador (2).
- ▶ Caso o carregador (2) não volte a ser usado: Retirar a ficha de rede (5) da tomada (6).

6.3 Indicação do nível de carga



- ▶ Introduzir a bateria.
- ▶ Premir a tecla de pressão (1).
Os LEDs acendem a verde durante aprox. 5 segundos e indicam o nível de carga.
- ▶ Caso o LED do lado direito emita uma luz intermitente a verde: carregar a bateria.

6.4 LEDs no cortador de arbustos

Os LEDs podem indicar o nível de carga da bateria ou avarias. Os LEDs podem estar acesos ou emitir uma luz intermitente verde ou vermelha.

Caso os LEDs estejam acesos ou emitam uma luz intermitente verde, o nível de carga é indicado.

- ▶ Caso os LEDs estejam acesos ou emitam uma luz intermitente vermelha: Eliminar avarias, 18.
Há uma avaria no cortador de arbustos ou na bateria.

6.5 LED no carregador

O LED mostra o estado do carregador ou avarias. O LED pode estar aceso ou emitir uma luz intermitente verde ou vermelha.

Se o LED estiver aceso ou emitir uma luz intermitente a verde, a bateria está a ser carregada.

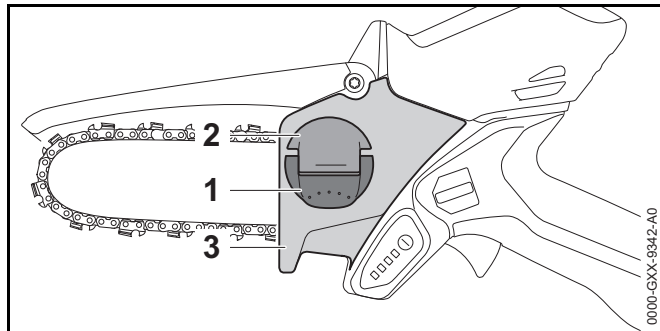
- ▶ Se o LED estiver aceso ou emitir uma luz intermitente a vermelho: Eliminar avarias, 18.
Há uma avaria no carregador ou na bateria.

7 Montar o cortador de arbustos

7.1 Incorporar e desmontar a barra guia e a corrente

7.1.1 Desmontar a barra guia e a corrente

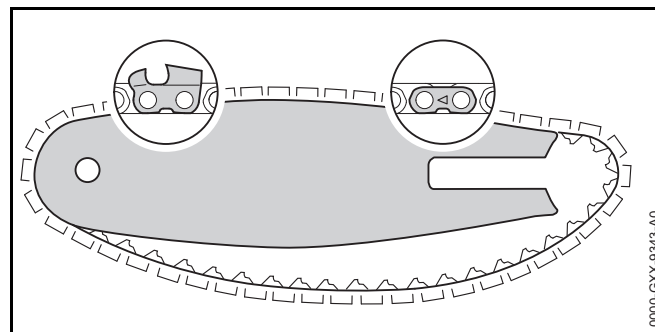
- ▶ Desligar o cortador de arbustos e retirar a bateria.



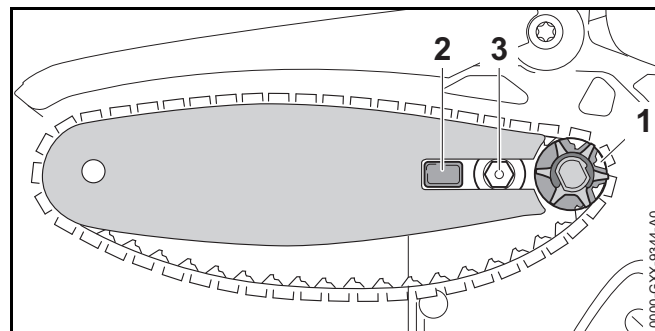
- ▶ Abrir basculando o manípulo (1) da porca de orelhas (2).
- ▶ Girar a porca de orelhas (2) para a esquerda até que a tampa do carreto (3) possa ser removida.
- ▶ Retirar a tampa do carreto (3).
- ▶ Retirar a barra guia e a corrente.

7.1.2 Incorporar a barra guia e a corrente

As combinações de barra guia e de corrente, que podem ser adaptadas e incorporadas no carreto, estão indicadas nos dados técnicos, 20.1.



- ▶ Colocar a corrente na ranhura da barra guia de forma que as setas nos elos de união da corrente fiquem viradas para a parte superior no sentido da marcha.



- ▶ Colocar a barra guia com a corrente no cortador de arbustos de forma a satisfazer as seguintes condições:
 - Os elos de acionamento da corrente assentam nos dentes do carreto (1).
 - O bujão (2) assenta no furo oblongo da barra guia.
 - O parafusos com colar (3) assenta no furo oblongo da barra guia.

A orientação da barra guia não é relevante. A impressão na barra guia também pode estar invertida.

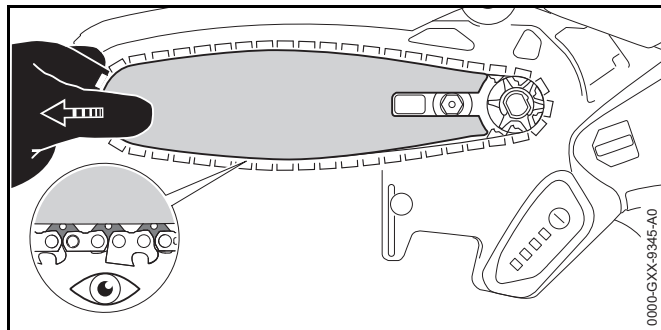
- ▶ Esticar a corrente.
- ▶ Colocar a tampa do carreto no cortador de arbustos de forma a ficar encaixada com o cortador de arbustos.
- ▶ Girar a porca de orelhas para a direita até a tampa do carreto assentar no cortador de arbustos.

- ▶ Bascular o manípulo da porca de orelhas para fechar.

7.2 Esticar a corrente

A corrente expande-se ou contrai-se durante o trabalho. A tensão da corrente altera-se. Durante o trabalho é necessário verificar regularmente a tensão da corrente e esticar novamente.

- ▶ Desligar o cortador de arbustos e retirar a bateria.



- ▶ Abrir basculando o manípulo da porca de orelhas.
- ▶ Girar a porca de orelhas 2 voltas para a esquerda. A porca de orelhas está solta.

⚠ ATENÇÃO

Os dentes de corte da corrente estão afiados. O utilizador pode cortar-se.

- ▶ Usar luvas de trabalho de material resistente.
- ▶ Mover a barra guia para a esquerda ou para a direita, até estar satisfeita a seguinte condição:
 - Os elos de acionamento da corrente ainda são visíveis pela metade na parte de baixo da barra guia.
- ▶ Girar a porca de orelhas para a direita até a tampa do carreto assentar no cortador de arbustos.
- ▶ Se a corrente ainda puder ser puxada com dois dedos e pouco esforço por cima da barra guia: A corrente está esticada corretamente.

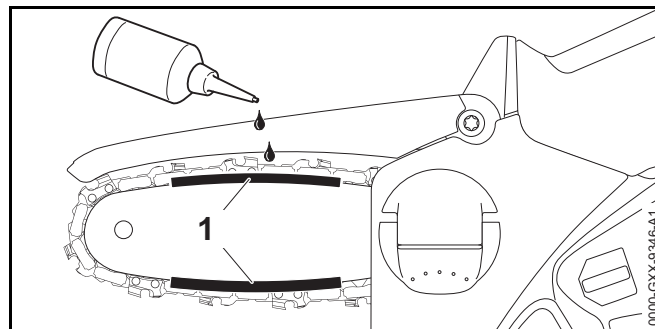
- ▶ Se os elos de acionamento da corrente forem totalmente visíveis pela parte de baixo da barra guia: Esticar novamente a corrente.

- ▶ Bascular o manípulo da porca de orelhas para fechar.

7.3 Lubrificar a corrente

O óleo multiusos STIHL Multioil Bio ou um óleo multiusos biodegradável semelhante lubrifica e arrefece a corrente em movimento.

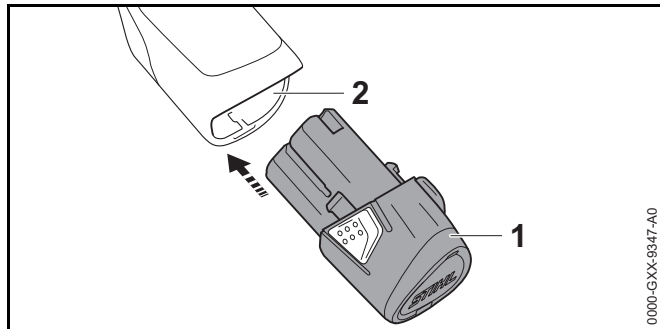
- ▶ Desligar o cortador de arbustos e retirar a bateria.
- ▶ Colocar o cortador de arbustos numa superfície plana de forma que a tampa do carreto fique virada para cima.
- ▶ Limpar a barra guia e a corrente com um pincel, uma escova macia ou removedor de resina da STIHL.



- ▶ Aplicar o óleo multiusos na zona (1) entre a barra guia e a corrente.
- ▶ Inserir a bateria.
- ▶ Ligar o cortador de arbustos. O óleo multiusos é distribuído pela corrente. A corrente está lubrificada.

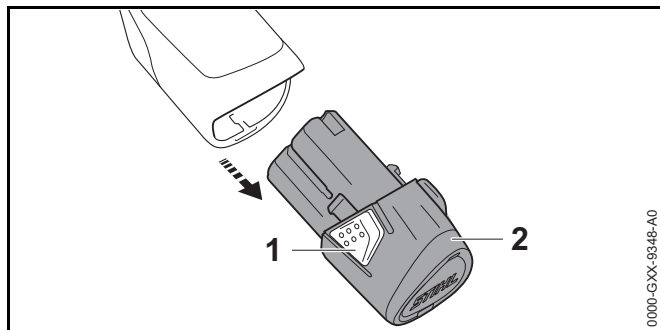
8 Colocação e remoção da bateria

8.1 Colocar a bateria



- ▶ Pressionar a bateria (1) até encostar no compartimento da bateria (2). A bateria (1) encaixa com um clique.

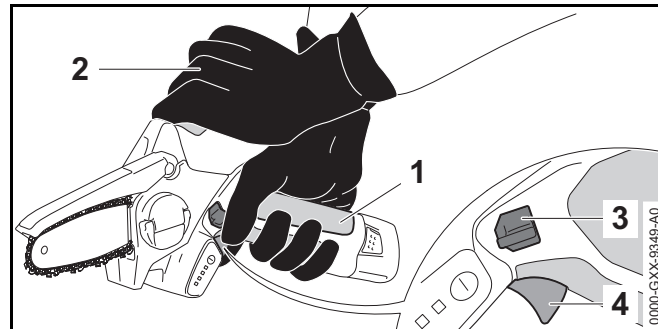
8.2 Retirar a bateria



- ▶ Premir os dois ganchos de entalhe (1). A bateria (2) está desbloqueada e pode ser removida.

9 Ligar e desligar o cortador de arbustos

9.1 Ligar o cortador de arbustos



- ▶ Pegar no cortador de arbustos com uma mão na área (1) do cabo de operação, de forma que o polegar envolva o cabo de operação.
- ▶ Segurar e conduzir o cortador de arbustos com a outra mão no ponto de pegar (2).
- ▶ Premir a alavanca de bloqueio (3) com o polegar e manter premida.
- ▶ Premir a alavanca de comando (4) com o dedo indicador e mantê-la premida. O cortador de arbustos acelera e a corrente move-se. A alavanca de bloqueio (3) pode ser solta.

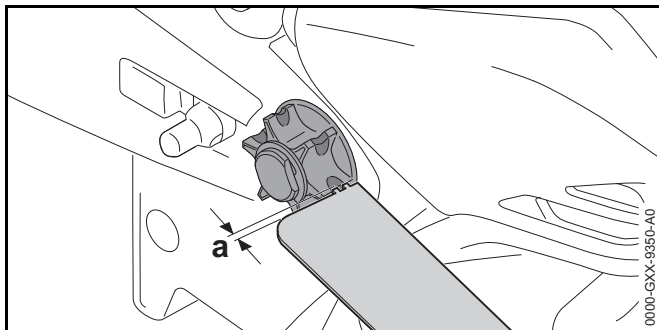
9.2 Desligar o cortador de arbustos

- ▶ Largar a alavanca de comando. A corrente deixa de girar.
- ▶ Caso a corrente continue a girar: Retirar a bateria e consultar um revendedor especializado da STIHL. O cortador de arbustos está defeituoso.

10 Verificar o cortador de arbustos e a bateria

10.1 Verificar o carreto

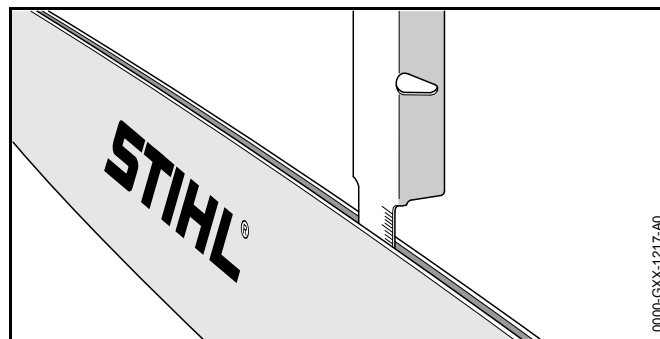
- ▶ Desligar o cortador de arbustos e retirar a bateria.
- ▶ Desmontar a tampa do carreto.
- ▶ Desmontar a barra guia e a corrente.



- ▶ Verificar os vestígios de rotação no carreto com um calibrador de controlo STIHL.
- ▶ Caso os vestígios de rotação sejam mais profundos do que $a = 0,5 \text{ mm}$: Não utilizar o cortador de arbustos e consultar um revendedor especializado da STIHL. O carreto tem de ser substituído.

10.2 Verificar a barra guia

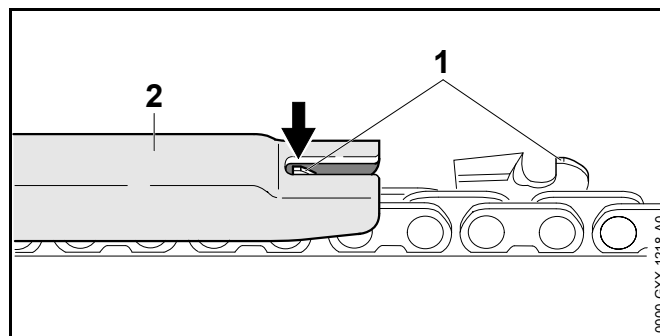
- ▶ Desligar o cortador de arbustos e retirar a bateria.
- ▶ Desmontar a corrente e a barra guia.




- ▶ Medir a profundidade da ranhura da barra guia com a vareta de medição de um gabarito de precisão STIHL.
- ▶ Substituir a barra guia, caso seja respeitada uma das seguintes condições:
 - A barra guia está danificada.
 - A profundidade medida da ranhura é inferior à profundidade da ranhura mínima da barra guia, 19.3.
 - A ranhura da barra guia está estrangulada ou alargada.
- ▶ Em caso de dúvidas: Consultar um revendedor especializado da STIHL.

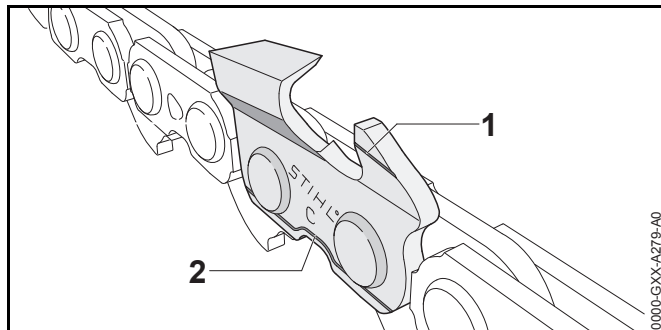
10.3 Verificar a corrente

- ▶ Desligar o cortador de arbustos e retirar a bateria.



- ▶ Medir a altura dos limitadores de profundidade (1) com um calibrador de limas da STIHL (2). O calibrador de limas da STIHL tem de encaixar na divisão da corrente.

- ▶ Caso um limitador da profundidade (1) saia fora do gabarito de precisão (2): Relimar o limitador de profundidade (1),  16.1.



- ▶ Verificar se as marcações de desgaste (1 e 2) nos dentes de corte estão visíveis.
- ▶ Caso uma das marcações de desgaste não esteja visível num dente de corte: Não utilizar a corrente e consultar um revendedor especializado da STIHL.
- ▶ Usar um calibrador de limas da STIHL para verificar se o ângulo de afiação dos dentes de corte de 30° é respeitado. O calibrador de limas da STIHL tem de encaixar na divisão da corrente.
- ▶ Se o ângulo de afiação de 30° não for respeitado: Afiar a corrente.
- ▶ Em caso de dúvidas: Consultar um revendedor especializado da STIHL.

10.4 Verificar a cobertura de proteção

- ▶ Retirar a bateria.

ATENÇÃO

Os dentes de corte da corrente estão afiados. O utilizador pode cortar-se.

- ▶ Usar luvas de trabalho de material resistente.
-
- ▶ Virar a cobertura de proteção para cima e soltar. A cobertura de proteção fixa novamente na posição inicial.

- ▶ Caso a cobertura de proteção se mova com dificuldade ou não recue para a posição inicial: Não utilizar o cortador de arbustos e consultar um revendedor especializado da STIHL. A cobertura de proteção está defeituosa.

10.5 Verificar os elementos de comando

Alavanca de bloqueio e alavanca de comando

- ▶ Retirar a bateria.
- ▶ Tentar pressionar a alavanca de comando sem premir a alavanca de bloqueio.
- ▶ Se for possível pressionar a alavanca de comando: Consultar um revendedor especializado da STIHL. A alavanca de bloqueio está defeituosa.
- ▶ Pressionar a alavanca de bloqueio e manter pressionada.
- ▶ Pressionar a alavanca de comando e largar novamente.
- ▶ Caso a alavanca de comando se mova com dificuldade ou não recue para a posição inicial: Não utilizar o cortador de arbustos e consultar um revendedor especializado da STIHL. A alavanca de comando está com defeito.

Ligar o cortador de arbustos

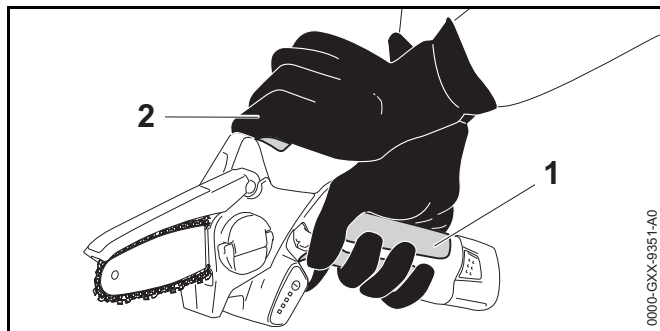
- ▶ Inserir a bateria.
- ▶ Pressionar a alavanca de bloqueio e manter pressionada.
- ▶ Pressionar a alavanca de comando e mantê-la pressionada. A corrente gira.
- ▶ Se os 3 LEDs emitirem uma luz intermitente vermelha: Retirar a bateria e consultar um revendedor especializado da STIHL. Há uma avaria no cortador de arbustos.
- ▶ Largar a alavanca de comando. A corrente deixa de girar.
- ▶ Caso a corrente continue a girar: Retirar a bateria e consultar um revendedor especializado da STIHL. O cortador de arbustos está defeituoso.

10.6 Verificar a bateria

- ▶ Inserir a bateria.
 - ▶ Premir a tecla de pressão no cortador de arbustos. Os LEDs estão acesos ou emitem uma luz intermitente.
 - ▶ Caso os LEDs não estejam acesos nem emitam uma luz intermitente: Não utilizar o cortador de arbustos nem a bateria e consultar um revendedor especializado da STIHL.
- Há uma avaria no cortador de arbustos ou na bateria.

11 Trabalhar com o cortador de arbustos

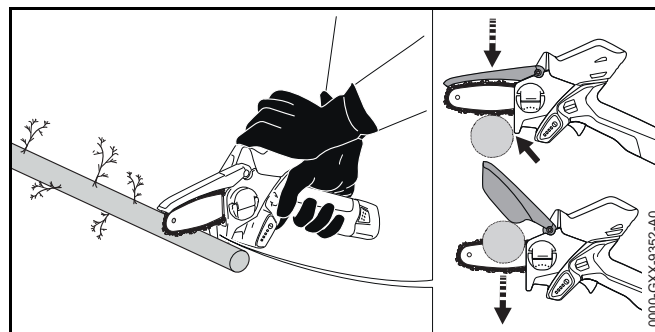
11.1 Segurar e conduzir o cortador de arbustos



- ▶ Segurar e conduzir o cortador de arbustos com uma mão na área (1) do cabo de operação, de forma que o polegar envolva o cabo de operação.
- ▶ Segurar e conduzir o cortador de arbustos com a outra mão no ponto de pegar (2).

11.2 Cortar

- ▶ Introduzir a barra guia no corte com a potência máxima.



- ▶ Colocar o encosto e usar com ponto de rotação.
- ▶ Conduzir a barra guia totalmente pela madeira.
- ▶ No final do corte, pegar no cortador de arbustos em peso.
- ▶ Cortar cada um dos ramos.

12 Após o trabalho

12.1 Após o trabalho

- ▶ Desligar o cortador de arbustos e retirar a bateria.
- ▶ Caso o cortador de arbustos esteja molhado: Deixar o cortador de arbustos secar.
- ▶ Caso a bateria esteja molhada: Deixar secar a bateria.
- ▶ Limpar o cortador de arbustos.
- ▶ Limpar a barra guia e a corrente.
- ▶ Empurrar a proteção da corrente por cima da barra guia, de forma a cobrir totalmente a barra guia.
- ▶ Limpar a bateria.

13 Transporte

13.1 Transportar o cortador de arbustos

- ▶ Desligar o cortador de arbustos e retirar a bateria.
- ▶ Empurrar a proteção da corrente por cima da barra guia, de forma a cobrir totalmente a barra guia.

Carregar o cortador de arbustos

- ▶ Carregar o cortador de arbustos com uma mão no cabo de operação de forma que a barra guia fique virada para baixo.

Transportar o cortador de arbustos num veículo

- ▶ Transportar o cortador de arbustos na bolsa fornecida.
- ▶ Segurar a bolsa de forma a não tombar nem se mover.
- ▶ Se não for fornecida nenhuma bolsa: fixar o cortador de arbustos de forma a que este não tombe nem se mova.

13.2 Transportar a bateria

- ▶ Desligar o cortador de arbustos e retirar a bateria.
- ▶ Certificar-se de que a bateria se encontra num estado seguro.
- ▶ Embalar a bateria na bolsa fornecida.
- ▶ Se não for fornecida nenhuma bolsa: Embalar a bateria de forma a cumprir as seguintes condições:
 - A embalagem não é eletricamente condutora.
 - A bateria não se move dentro da embalagem.
- ▶ Prender a embalagem de forma que não se possa mover.

A bateria está sujeita às exigências relativas ao transporte de mercadorias perigosas. A bateria está classificada como UN 3480 (baterias de iões de lítio) e foi verificada de acordo com o Manual de Ensaios e Critérios da ONU, Parte III, subsecção 38.3.

Os regulamentos de transporte estão indicados em www.stihl.com/safety-data-sheets.

13.3 Transportar o carregador

- ▶ Tirar a ficha de rede da tomada.
- ▶ Retirar a bateria.
- ▶ Enrolar a linha de conexão e fixá-la no carregador.
- ▶ Caso o carregador seja transportado num veículo:
 - ▶ Transportar o carregador na bolsa fornecida.
 - ▶ Segurar a bolsa de forma a não tombar nem se mover.
 - ▶ Se não for fornecida nenhuma bolsa: Segurar o carregador, de forma a não tombar nem se mover.

14 Armazenamento

14.1 Guardar o cortador de arbustos

- ▶ Desligar o cortador de arbustos e retirar a bateria.
- ▶ Empurrar a proteção da corrente por cima da barra guia, de forma a cobrir totalmente a barra guia.
- ▶ Guardar o cortador de arbustos de forma a cumprir as seguintes condições:
 - O cortador de arbustos está fora do alcance de crianças.
 - O cortador de arbustos está limpo e seco.
 - A corrente está lubrificada.

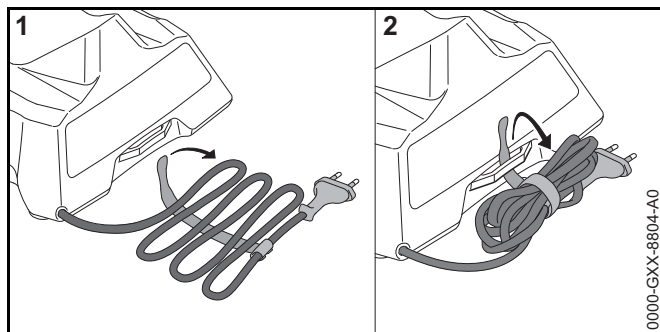
14.2 Armazenamento da bateria

A STIHL recomenda que a bateria seja guardada com um nível de carga entre 40 % e 60 % (2 LEDs acesos a verde).

- ▶ Guardar a bateria de forma a cumprir as seguintes condições:
 - A bateria está fora do alcance de crianças.
 - A bateria está limpa e seca.
 - A bateria está num local fechado.
 - A bateria está separada do cortador de arbustos e do carregador.
 - A bateria está numa embalagem que não é eletricamente condutora.
 - A bateria está numa gama de temperaturas entre - 20 °C e + 60 °C.

14.3 Armazenamento do carregador

- ▶ Tirar a ficha de rede da tomada.
- ▶ Retirar a bateria.



- ▶ Enrolar a linha de conexão e fixá-la no carregador.
- ▶ Guardar o carregador de forma a cumprir as seguintes condições:
 - O carregador está fora do alcance de crianças.
 - O carregador está limpo e seco.
 - O carregador está num local fechado.
 - O carregador está separado da bateria.
 - O carregador não está pendurado pela linha de conexão.
 - O carregador está numa gama de temperaturas entre -20 °C e +60 °C.

15 Limpeza

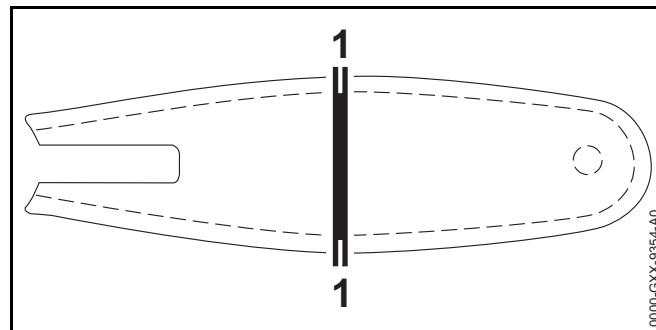
15.1 Limpar o cortador de arbustos

- ▶ Desligar o cortador de arbustos e retirar a bateria.
- ▶ Limpar o cortador de arbustos com um pano húmido ou o removedor de resina da STIHL.
- ▶ Desmontar a tampa do carreto.
- ▶ Limpar a área em redor do carreto com um pano húmido ou o removedor de resina da STIHL.
- ▶ Remover elementos estranhos do compartimento da bateria e limpar o compartimento da bateria com um pano húmido.
- ▶ Limpar os contactos elétricos no compartimento da bateria com um pincel ou uma escova macia.

- ▶ Incorporar a tampa do carreto.

15.2 Limpar a barra guia e a corrente

- ▶ Desligar o cortador de arbustos e retirar a bateria.
- ▶ Desmontar a barra guia e a corrente.



- ▶ Limpar a ranhura (1) com um pincel, uma escova macia ou removedor de resina da STIHL.
- ▶ Limpar a corrente com um pincel, uma escova macia ou removedor de resina da STIHL.
- ▶ Incorporar a barra guia e a corrente.
- ▶ Lubrificar a corrente.

15.3 Limpeza da bateria

- ▶ Limpar a bateria com um pano húmido.

15.4 Limpeza do carregador

- ▶ Tirar a ficha de rede da tomada de corrente.
- ▶ Limpar o carregador com um pano húmido.
- ▶ Limpar os contactos elétricos do carregador com um pincel ou uma escova macia.

16 Fazer a manutenção

16.1 Afiar a corrente

É preciso muita prática para afiar correntes da forma correta.

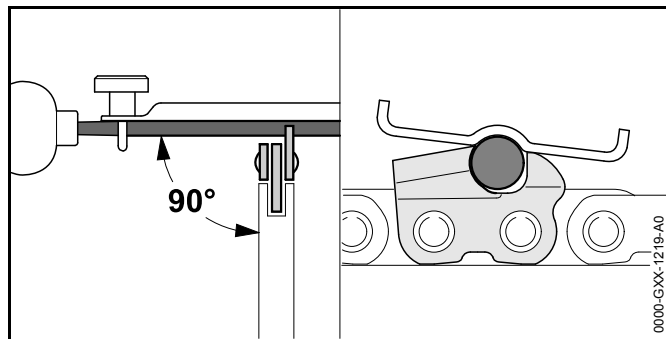
Limas da STIHL, auxiliares de afiação da STIHL, aparelhos de retificação da STIHL e a brochura "Como afiar correntes da STIHL" fornecem conselhos sobre como afiar corretamente a corrente. A brochura encontra-se disponível em www.stihl.com/sharpening-brochure.

A STIHL recomenda que as correntes sejam afiadas por um revendedor especializado da STIHL.

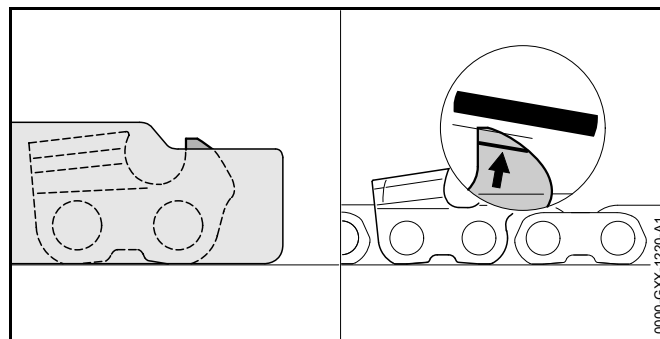
ATENÇÃO

Os dentes de corte da corrente estão afiados. O utilizador pode cortar-se.

- ▶ Usar luvas de trabalho de material resistente.



- ▶ Limar cada dente de corte com uma lima redonda que respeite as seguintes condições:
 - A lima redonda encaixa na divisão da corrente.
 - A lima redonda é usada de dentro para fora.
 - A lima redonda é usada em ângulo reto em relação à barra guia.
 - O ângulo de afiação de 30° é respeitado.



- ▶ Limar os limitadores de profundidade com uma lima fina de forma que fiquem alinhados com o calibrador de limas da STIHL e paralelos à marcação de desgaste. O calibrador de limas da STIHL tem de encaixar na divisão da corrente.
- ▶ Em caso de dúvidas: Consultar um revendedor especializado da STIHL.

17 Reparar


17.1 Reparar o cortador de arbustos, a bateria e o carregador

O utilizador não deve reparar o cortador de arbustos, a barra guia, a corrente, a bateria nem o carregador por conta própria.

- ▶ Se o cortador de arbustos, a barra guia ou a corrente estiverem danificadas: Não utilizar o cortador de arbustos, a barra guia nem a corrente e consultar um revendedor especializado da STIHL.
- ▶ Caso a bateria esteja com defeito ou danificada: Substituir a bateria.
- ▶ Caso o carregador esteja com defeito ou danificado: Substituir o carregador.
- ▶ Caso a linha de conexão esteja com defeito ou danificada: Não usar o carregador e substituir a linha de conexão num revendedor especializado da STIHL.

18 Eliminação de avarias

18.1 Eliminar avarias do cortador de arbustos ou da bateria

Avaria	LEDs no cortador de arbustos	Causa	Solução
O cortador de arbustos não arranca durante a ligação.	1 LED emite uma luz intermitente verde.	O nível de carga da bateria é demasiado baixo.	▶ Carregar a bateria.
	1 LED está aceso a vermelho.	A bateria está demasiado quente ou demasiado fria.	▶ Retirar a bateria. ▶ Deixar que a bateria arrefeça ou aqueça.
	3 LED emitem uma luz intermitente vermelha.	Há uma avaria no cortador de arbustos.	▶ Retirar a bateria. ▶ Limpar os contactos eléctricos no compartimento da bateria. ▶ Inserir a bateria. ▶ Ligar o cortador de arbustos. ▶ Se ainda 3 LED emitirem uma luz intermitente vermelha: Não utilizar o cortador de arbustos e consultar um revendedor especializado da STIHL.
	3 LED estão acesos em vermelho.	O cortador de arbustos está demasiado quente.	▶ Retirar a bateria. ▶ Deixar arrefecer o cortador de arbustos.
	4 LED emitem uma luz intermitente vermelha.	Existe uma avaria na bateria.	▶ Retirar a bateria e inseri-la novamente. ▶ Ligar o cortador de arbustos. ▶ Se ainda 4 LED emitirem uma luz intermitente vermelha: Não utilizar a bateria e consultar um revendedor especializado da STIHL.
		A ligação eléctrica entre o cortador de arbustos e a bateria está interrompida.	▶ Retirar a bateria. ▶ Limpar os contactos eléctricos no compartimento da bateria. ▶ Inserir a bateria.
		O cortador de arbustos ou a bateria está molhado.	▶ Deixar o cortador de arbustos ou a bateria secar.
		A corrente está emperrada.	▶ Retirar a bateria. ▶ Limpar o cortador de arbustos,  15.1.

Avaria	LEDs no cortador de arbustos	Causa	Solução
O cortador de arbustos desliga-se durante o funcionamento.	3 LED estão acesos em vermelho.	O cortador de arbustos está demasiado quente.	<ul style="list-style-type: none"> ▶ Retirar a bateria. ▶ Deixar arrefecer o cortador de arbustos.
		Existe uma avaria elétrica.	<ul style="list-style-type: none"> ▶ Retirar a bateria e inseri-la novamente. ▶ Ligar o cortador de arbustos.
A potência de corte do cortador de arbustos diminui.	1 LED emite uma luz intermitente verde.	O nível de carga da bateria é demasiado baixo.	▶ Carregar a bateria.
		A corrente não está afiada corretamente.	▶ Afiar corretamente a corrente.
		A corrente está demasiado esticada.	▶ Esticar corretamente a corrente.
		A lubrificação da corrente não é suficiente.	▶ Lubrificar a corrente.
O período de funcionamento do cortador de arbustos é demasiado curto.		A bateria não está carregada na totalidade.	▶ Carregar totalmente a bateria.
		A durabilidade da bateria foi ultrapassada.	▶ Substituir a bateria.

18.2 Eliminar avarias no carregador

Avaria	LED no carregador	Causa	Solução
A bateria não está a ser carregada.	O LED está aceso a vermelho.	A bateria está demasiado quente ou demasiado fria.	<ul style="list-style-type: none"> ▶ Deixar a bateria inserida no carregador. O processo de carregamento começa automaticamente assim que a gama de temperaturas permitida for alcançada.
	O LED emite uma luz intermitente vermelha.	A ligação elétrica entre o carregador e a bateria está interrompida.	<ul style="list-style-type: none"> ▶ Retirar a bateria. ▶ Limpar os contactos elétricos presentes no carregador. ▶ Inserir a bateria.

Avaria	LED no carregador	Causa	Solução
		Existe uma avaria no carregador.	▶ Não utilizar o carregador e consultar um revendedor especializado da STIHL.
		Existe uma avaria na bateria.	▶ Não utilizar a bateria e consultar um revendedor especializado da STIHL.
O carregador não executa um teste automático.	O LED não se acende durante aprox. 1 segundo a verde nem durante aprox. 1 segundo a vermelho.	A ligação elétrica para o carregador foi interrompida por breves momentos.	<ul style="list-style-type: none"> ▶ Tirar a ficha de rede da tomada. ▶ Aguardar durante 1 minuto. ▶ Inserir a ficha de rede na tomada.

19 Dados técnicos

19.1 Cortador de arbustos STIHL GTA 26

- Bateria permitida: STIHL AS
- Peso sem bateria, com barra guia e corrente: 1,2 kg

O período de funcionamento está indicado em www.stihl.com/battery-life.

19.2 Carretos

Podem ser usados os seguintes carretos:

- de 6 dentes para 1/4" P

19.3 Profundidade mínima da ranhura das guias

A profundidade mínima da ranhura depende da divisão da guia.

- 1/4" P: 4 mm

19.4 Bateria STIHL AS

- Tecnologia da bateria: íões de lítio
- Tensão: 10,8 V
- Capacidade em Ah: ver placa de identificação
- Conteúdo energético em Wh: ver placa de identificação
- Peso em kg: ver placa de identificação
- Gama de temperaturas permitida para utilização e armazenamento: - 20 °C a + 50 °C

Se a bateria for usada com uma temperatura inferior a 0 °C ou uma temperatura superior + 30 °C, o tempo de funcionamento da bateria e a potência do cortador de arbustos podem diminuir.

19.5 Carregador STIHL AL 1

- Tensão nominal: ver placa de identificação
- Frequência: ver placa de identificação
- Potência nominal: ver placa de identificação
- Corrente de carga: ver placa de identificação
- Gama de temperaturas permitida para utilização e armazenamento: - 20 °C e + 50 °C
- Conteúdo energético máximo da bateria permitida STIHL AS: 12,5 Ah

Os tempos de carregamento estão indicados em www.stihl.com/charging-times.

Se o carregador for usado com uma temperatura inferior a + 5 °C ou uma temperatura superior + 30 °C, os tempos de carregamento podem prolongar-se.

19.6 Linhas de extensão

Quando é usada uma linha de extensão, os seus fios devem apresentar, no mínimo, as seguintes secções transversais em função da tensão e do comprimento da linha de extensão:

Se a tensão nominal na placa de identificação estiver entre 220 V e 240 V:

- Comprimento do cabo até 20 m: AWG 15 / 1,5 mm²
- Comprimento do cabo 20 m a 50 m: AWG 13 / 2,5 mm²

Se a tensão nominal na placa de identificação estiver entre 100 V e 127 V:

- Comprimento do cabo até 10 m: AWG 14 / 2,0 mm²
- Comprimento do cabo 10 m a 30 m: AWG 12 / 3,5 mm²

19.7 Valores nominais e valores de vibração

O valor K para o nível da pressão sonora é 2 dB(A). O valor K para o nível da potência sonora é 2 dB(A). O valor K para os valores de vibração é 2 m/s².

A STIHL recomenda o uso de uma proteção auditiva.

- Nível da pressão sonora L_{pA} medido de acordo com EN 60745-2-13: 77 dB(A)
- Nível da potência sonora L_{wA} medido de acordo com EN 60745-2-13: 86 dB(A)
- Valor de vibração a_{hv} medido de acordo com a EN 60745-2-13:
 - Cabo de operação: 2,8 m/s²
 - Ponto de pegar: 2,9 m/s.

Os valores de vibração indicados foram medidos com um processo de verificação normalizado e podem ser utilizados como comparativo com aparelhos elétricos. Os valores de vibração que se apresentam na realidade podem divergir dos valores indicados em função do tipo de utilização. Os valores de vibração indicados podem ser utilizados para uma primeira avaliação do nível de vibração. É necessário avaliar o nível de vibração real. Nesse sentido também podem ser considerados os períodos durante os quais o aparelho elétrico está desligado, e os períodos durante os quais está ligado, mas funciona sem carga.

Informações relativas ao cumprimento da norma da entidade patronal referente à vibração 2002/44/CE encontram-se em www.stihl.com/vib.

19.8 REACH

REACH designa um decreto CE para registar, avaliar e autorizar produtos químicos.

Informações para cumprir o decreto REACH podem ser consultadas no site www.stihl.com/reach.

20 Combinações de guias e correntes

20.1 Cortador de arbustos STIHL GTA 26

Passo	Espessura do elo de acionamento/largura da ranhura	Comprimento	Barra guia	Quantidade de dentes estrelas de retorno	Quantidade de elos de acionamento	Corrente
1/4" P	1,1 mm	10 cm	Light	-	28	71 PM3 (tipo 3670)

O comprimento de corte de uma barra guia depende do cortador de arbustos e da corrente usados. O comprimento de corte real de uma barra guia pode ser inferior ao comprimento indicado.

21 Peças de reposição e acessórios

21.1 Peças de reposição e acessórios

STIHL Estes símbolos identificam peças de reposição originais da STIHL e acessórios originais da STIHL.

A STIHL recomenda a utilização de peças de reposição originais da STIHL e acessórios originais da STIHL.

As peças de reposição originais da STIHL e os acessórios originais da STIHL estão disponíveis num revendedor especializado da STIHL.

22 Eliminar

22.1 Eliminar o cortador de arbustos, a bateria e o carregador

As informações relativas à eliminação podem ser adquiridas num revendedor especializado da STIHL.

- ▶ Eliminar o cortador de arbustos, a barra guia, a corrente, a bateria, o carregador, o acessório e a embalagem de forma correta e respeitadora do ambiente.

23 Declaração de conformidade CE

23.1 Cortador de arbustos STIHL GTA 26

ANDREAS STIHL AG & Co. KG
Badstraße 115
D-71336 Waiblingen
Alemanha

declara, sob sua inteira responsabilidade, que

- Tipo: cortador de arbustos a bateria
- Marca: STIHL

- Modelo: GTA 26
- Identificação de série: GA01

está em conformidade com todas as disposições aplicáveis das Diretivas 2011/65/UE, 2006/42/CE, 2014/30/UE e 2000/14/CE, e foi desenvolvido e fabricado de acordo com as versões válidas na data de fabrico das seguintes Normas: EN 55014-1, EN 55014-2, EN 62841-1.

O exame CE de tipo foi executado segundo a Diretiva 2006/42/CE, artigo 12.3 (b) no: VDE Prüf- u. Zertifizierungsinstitut (NB 0366), Merianstraße 28, 63069 Offenbach, Alemanha

- Número de certificação: 40050017

Para averiguar o nível da potência sonora medido e garantido procedeu-se segundo a Diretiva 2000/14/CE, anexo V.

- Nível da potência sonora medido: 88 dB(A)
- Nível de potência acústica garantido: 90 dB(A)

A documentação técnica foi conservada após a Produktzulassung da ANDREAS STIHL AG & Co. KG.

O ano de fabrico, o país de produção e o número da máquina estão indicados no cortador de arbustos.

Waiblingen, 03.02.2020

ANDREAS STIHL AG & Co. KG

p.p.



Dr. Jürgen Hoffmann, Diretor do departamento de dados, disposições do produto e homologação

23.2 Indicação de conformidade do carregador STIHL AL 1

Este carregador foi fabricado e colocado no mercado em conformidade com as seguintes Diretivas: 2014/35/UE, 2014/30/UE e 2011/65/UE.

O ano de construção, o país de produção e o número da máquina estão indicados no carregador.

A declaração de conformidade CE completa pode ser obtida na empresa ANDREAS STIHL AG & Co. KG, Badstraße 115, 71336 Waiblingen, Alemanha.

24 Indicações de segurança gerais para ferramentas eléctricas

24.1 Introdução

Este capítulo resume as indicações de segurança gerais formuladas anteriormente na norma EN/IEC 62841 para ferramentas eléctricas, conduzidas manualmente e acionadas por motor.

A STIHL deve imprimir estes textos.

As indicações de segurança indicadas em "Segurança eléctrica" relativas à prevenção de um choque eléctrico não se aplicam aos produtos a bateria da STIHL.



ATENÇÃO

Leia todas as indicações de segurança, instruções, imagens e dados técnicos que acompanham esta ferramenta eléctrica. Falhas no incumprimento das seguintes instruções podem provocar choque eléctrico, incêndio e/ou ferimentos graves. **Guarde todas as indicações de segurança e instruções para futura consulta.**

O termo "ferramenta eléctrica" utilizado nas indicações de segurança refere-se às ferramentas eléctricas de ligação à rede (com cabo de rede) ou às ferramentas eléctricas acionadas a bateria (sem cabo de rede).

24 Indicações de segurança gerais para ferramentas eléctricas

24.2 Segurança no local de trabalho

- a) **Mantenha o seu espaço de trabalho limpo e bem iluminado.** Desordem ou espaços de trabalho não iluminados podem provocar acidentes.
- b) **Não trabalhe com a ferramenta eléctrica num ambiente sujeito a explosão onde se encontrem líquidos, gases ou poeiras combustíveis.** As ferramentas eléctricas produzem faíscas que podem inflamar a poeira ou os vapores.
- c) **Mantenha crianças e outras pessoas afastadas durante a utilização da ferramenta eléctrica.** Em caso de distração, pode perder o controlo sobre o aparelho.

24.3 Segurança eléctrica

- a) **A ficha de ligação da ferramenta eléctrica tem de encaixar na tomada. A ficha não deve ser modificada de nenhuma forma. Não utilize uma ficha adaptadora juntamente com ferramentas eléctricas com protecção por ligação à terra.** Fichas não modificadas e tomadas adequadas diminuem o risco de um choque eléctrico.
- b) **Evite o contacto do seu corpo com superfícies ligadas à terra, tais como tubos, aquecedores, fogões e frigoríficos.** Existe um maior risco de choque eléctrico quando o seu corpo está ligado à terra.
- c) **Mantenha as ferramentas eléctricas afastadas da chuva ou da humidade.** A infiltração de água numa ferramenta eléctrica aumenta o risco de um choque eléctrico.
- d) **Não use o cabo para outra finalidade, para transportar e suspender a ferramenta eléctrica ou para tirar a ficha da tomada. Mantenha o cabo afastado de calor, óleo, cantos afiados ou peças do aparelho em movimento.** Cabos danificados ou emaranhados aumentam o risco de um choque eléctrico.
- e) **Se trabalhar com uma ferramenta eléctrica ao ar livre, utilize unicamente os cabos de extensão adequados também para o exterior.** A utilização de um cabo de extensão apropriado para o exterior reduz o risco de um choque eléctrico.

- f) **Se não for possível evitar trabalhar com a ferramenta eléctrica num ambiente húmido, utilize um interruptor de protecção de corrente de falha.** A utilização de um interruptor de protecção de corrente de falha diminui o risco de um choque eléctrico.

24.4 Segurança de pessoas

- a) **Esteja atento ao que está a fazer e tenha bom senso ao trabalhar com uma ferramenta eléctrica. Não utilize uma ferramenta eléctrica se estiver cansado ou sob o efeito de drogas, álcool ou medicamentos.** Um momento de descuido durante a utilização da ferramenta eléctrica pode provocar ferimentos graves.
- b) **Use equipamento de protecção individual e sempre óculos de protecção.** O uso de um equipamento de protecção individual, como a máscara anti poeira, calçado de segurança antiderrapante, capacete de protecção ou protecção auditiva, conforme o tipo e a utilização da ferramenta eléctrica, reduz o risco de ferimentos.
- c) **Evite uma colocação em funcionamento involuntária. Certifique-se de que a ferramenta eléctrica está desligada antes de a ligar ao abastecimento de corrente e/ou à bateria, de a levantar ou transportar.** Se tiver o dedo no interruptor durante o transporte da ferramenta eléctrica ou se ligar o aparelho enquanto estiver ligado ao abastecimento de corrente, isso pode causar acidentes.
- d) **Tire as ferramentas de regulação ou a chave de bocas antes de ligar a ferramenta eléctrica.** Uma ferramenta ou uma chave que se encontra numa parte giratória do aparelho, pode conduzir a feridas.
- e) **Evite uma postura anormal. Adote uma postura segura e mantenha sempre o equilíbrio.** Dessa forma conseguirá controlar melhor a ferramenta eléctrica em situações inesperadas.
- f) **Use vestuário adequado. Não use vestuário largo nem adornos. Mantenha o cabelo e o vestuário afastados de peças em movimento.** Vestuário solto, adornos ou cabelo comprido podem ser apanhados pelas peças em movimento.

- g) **Se puderem ser montados equipamentos para a aspiração e recolha do pó, estes deverão ser conectados e usados corretamente.** A utilização de uma aspiração de pó pode diminuir as ameaças causadas pela poeira.
- h) **Não induza falsos sentimentos de segurança nem ignore as regras de segurança relativas às ferramentas eléctricas, mesmo quando estiver familiarizado com a ferramenta eléctrica após inúmeras utilizações.** Numa fração de segundo um manuseamento negligente pode provocar ferimentos graves.

24.5 Utilização e manuseamento da ferramenta eléctrica

- a) **Não sobrecarregue o aparelho. Utilize a ferramenta eléctrica adequada ao seu trabalho.** Com a ferramenta eléctrica adequada trabalha melhor e com maior segurança no intervalo de potência indicado.
- b) **Não utilize uma ferramenta eléctrica cujo interruptor esteja defeituoso.** Uma ferramenta eléctrica que já não possa ser ligada nem desligada é perigosa e tem que ser reparada.
- c) **Tire a ficha da tomada de corrente e/ou retire a bateria antes de efetuar regulações no aparelho, substituir acessórios ou deixar de utilizar o aparelho.** Esta medida de precaução evita um arranque involuntário da ferramenta eléctrica.
- d) **Guarde as ferramentas eléctricas que não utiliza fora do alcance de crianças. Não autorize que pessoas utilizem o aparelho sem o conhecer nem sem terem lido estas Instruções.** Ferramentas eléctricas são perigosas quando são utilizadas por pessoas sem experiência.
- e) **Execute a manutenção a ferramentas eléctricas e da ferramenta de aplicação com cuidado. Verifique se as peças móveis funcionam corretamente e não emperram, se existem peças de tal forma partidas ou danificadas que prejudiquem a função da ferramenta eléctrica. Mande reparar as peças danificadas antes de utilizar a ferramenta eléctrica.** Muitos acidentes são causados pela má manutenção de ferramentas eléctricas.

- f) **Mantenha as ferramentas de corte afiadas e limpas.** Ferramentas de corte com bordos cortantes afiados cuidadosamente preservadas bloqueiam menos vezes e são mais fáceis de manusear.
- g) **Utilize a ferramenta elétrica, ferramentas de aplicação, etc. em conformidade com estas instruções. Considere ao mesmo tempo as condições de trabalho e a atividade a executar.** A utilização de ferramentas elétricas para outras utilizações além das previstas pode provocar situações perigosas.
- h) **Mantenha os cabos e as superfícies dos cabos secos, limpos e sem óleo nem gordura.** Cabos e superfícies dos cabos escorregadios não permitem uma operação segura e um controlo da ferramenta elétrica em situações imprevistas.

24.6 Utilização e manuseamento da ferramenta a bateria

- a) **Carregue a bateria apenas com carregadores recomendados pelo fabricante.** Há risco de incêndio caso um carregador, que seja adequado para um determinado tipo de baterias, seja usado com outras baterias.
- b) **Nas ferramentas elétricas utilize apenas as baterias previstas.** A utilização de outras baterias pode provocar ferimentos e risco de incêndio.
- c) **Mantenha a bateria não usada afastada de cliques, moedas, chaves, pregos, parafusos ou outros objetos metálicos, que possam provocar uma ligação em ponte dos contactos.** Um curto-circuito entre os contactos da bateria pode provocar queimaduras ou incêndio.
- d) **Se for mal utilizada, a bateria pode largar líquido. Evite o contacto com este líquido. Em caso de contacto acidental lavar com água. Se o líquido entrar em contacto com os olhos, procure assistência médica.** O líquido derramado da bateria pode provocar irritações cutâneas ou queimaduras.
- e) **Não utilize uma bateria danificada ou alterada.** Baterias danificadas ou alteradas podem comportar-se de forma imprevisível e ser a causa de incêndio, explosão ou ferimentos.

- f) **Não exponha uma bateria ao fogo nem a temperaturas demasiado elevadas.** Fogo e temperaturas superiores a 130 °C (265 °F) podem provocar uma explosão.
- g) **Siga todas as instruções sobre o carregamento e nunca carregue a bateria ou a ferramenta a bateria fora da gama de temperaturas indicada no manual de instruções.** Um carregamento errado ou fora da gama de temperaturas pode destruir a bateria e aumentar o risco de incêndio.

24.7 Serviço de assistência técnica

- a) **A sua ferramenta elétrica apenas deve ser reparada por especialistas qualificados e unicamente com peças de reposição originais.** Só assim se garante a manutenção da segurança da ferramenta elétrica.
- b) **Nunca faça a manutenção de baterias danificadas.** Qualquer manutenção de baterias apenas deve ser realizada pelo fabricante ou postos de assistência ao cliente autorizados.

Содержание

1	Предисловие	325	7	Сборка резака для кустарника	342
2	Информация к данному руководству по эксплуатации	325	7.1	Демонтаж и монтаж направляющей шины и пильной цепи	342
2.1	Действующие документы	325	7.2	Натяжение пильной цепи	343
2.2	Маркировка предупредительных надписей в тексте	325	7.3	Смазка пильной цепи	344
2.3	Символы в тексте	325	8	Установка и извлечение аккумулятора	344
3	Обзор	326	8.1	Установка аккумулятора	344
3.1	Резак для кустарника, аккумулятор и зарядное устройство	326	8.2	Извлечение аккумулятора	344
3.2	Символы	327	9	Включение и выключение резака для кустарника	345
4	Указания по технике безопасности	328	9.1	Включение резака для кустарника	345
4.1	Предупреждающие символы	328	9.2	Выключение резака для кустарника	345
4.2	Использование по назначению	328	10	Проверка резака для кустарника и аккумулятора	345
4.3	Требования к пользователю	329	10.1	Проверка звездочки	345
4.4	Одежда и оснащение	330	10.2	Проверка направляющей шины	345
4.5	Рабочая зона и окружающее пространство	330	10.3	Проверка пильной цепи	346
4.6	Безопасное состояние	332	10.4	Проверка защитного кожуха	346
4.7	Выполнение работы	334	10.5	Проверка органов управления	347
4.8	Реакционные силы	335	10.6	Проверить аккумулятор	347
4.9	Зарядка	336	11	Работа с резаком для кустарника	347
4.10	Подключение электропитания	336	11.1	Как держать и вести резак для кустарника	347
4.11	Транспортировка	337	11.2	Резка	347
4.12	Хранение	338	12	После работы	348
4.13	Очистка, техническое обслуживание и ремонт	339	12.1	После работы	348
5	Подготовка резака для кустарника к работе	340	13	Транспортировка	348
5.1	Подготовка резака для кустарника к работе	340	13.1	Транспортировка резака для кустарника	348
6	Зарядка аккумуляторов и светодиода на аккумуляторе	340	13.2	Транспортировка аккумулятора	348
6.1	Монтаж зарядного устройства на стене	340	13.3	Транспортировка зарядного устройства	349
6.2	Зарядка аккумулятора	341	14	Хранение	349
6.3	Индикация уровня заряда	342	14.1	Хранение резака для кустарника	349
6.4	Светодиоды на резаке для кустарника	342	14.2	Хранение аккумулятора	349
6.5	Светодиод на зарядном устройстве	342	14.3	Хранение зарядного устройства	349



Данная инструкция по эксплуатации защищена авторским правом. Компания оставляет за собой все права, особенно право на распространение, перевод и обработку материала с помощью электронных систем.

15 Очистка	350	24 Адреса	359
15.1 Очистка резака для кустарника	350	24.1 Штаб-квартира STIHL	359
15.2 Очистка направляющей шины и пильной цепи	350	24.2 Дочерние компании STIHL	359
15.3 Очистка аккумулятора	350	24.3 Представительства STIHL	359
15.4 Очистка зарядного устройства	350	24.4 Импортёры STIHL	359
16 Техническое обслуживание	350	25 Общие указания по технике безопасности для электроинструментов	360
16.1 Заточка пильной цепи	350	25.1 Введение	360
17 Ремонт	351	25.2 Безопасность на рабочем месте	361
17.1 Ремонт резака для кустарника, аккумулятора и зарядного устройства	351	25.3 Электробезопасность	361
18 Устранение неисправностей	352	25.4 Безопасность людей	361
18.1 Устранение неисправностей резака для кустарника или аккумулятора	352	25.5 Применение и обращение с электроинструментом	362
18.2 Устранение неисправностей зарядного устройства	353	25.6 Применение и обращение с аккумуляторным инструментом	362
19 Технические данные	355	25.7 Техническое обслуживание	363
19.1 Резак для кустарника STIHL GTA 26	355		
19.2 Цепные звездочки	355		
19.3 Минимальная глубина паза направляющей шины	355		
19.4 Аккумулятор STIHL AS	355		
19.5 Зарядное устройство STIHL AL 1	355		
19.6 Удлинительные шнуры	355		
19.7 Уровни шума и вибрации	355		
19.8 REACH	356		
19.9 Установленный срок службы	356		
20 Комбинации направляющей шины и пильной цепи	357		
20.1 Резак для кустарника STIHL GTA 26	357		
21 Запасные части и принадлежности	358		
21.1 Запасные части и принадлежности	358		
22 Утилизация	358		
22.1 Утилизация резака для кустарника, аккумулятора и зарядного устройства	358		
23 Сертификат соответствия ЕС	358		
23.1 Резак для кустарника STIHL GTA 26	358		
23.2 Декларация о соответствии для зарядного устройства STIHL AL 1	359		
23.3 Знаки соответствия	359		

1 Предисловие

Уважаемый клиент,

мы рады, что вы выбрали изделие STIHL. Мы разрабатываем и производим продукцию высочайшего качества, соответствующую потребностям наших клиентов. Наша продукция обеспечивает высокую надежность даже при экстремальных нагрузках.

STIHL – это и высочайшее качество обслуживания. Наши представители всегда готовы провести для Вас компетентную консультацию и инструктаж, а также обеспечить обширную техническую поддержку.

Мы благодарим Вас за доверие и желаем приятных впечатлений от Вашего нового изделия STIHL.



Д-р Николас Штиль

ВАЖНО! ПЕРЕД ПРИМЕНЕНИЕМ ОЗНАКОМИТЬСЯ И СОХРАНИТЬ.

2 Информация к данному руководству по эксплуатации

2.1 Действующие документы

Действуют местные правила техники безопасности.

- ▶ В дополнение к настоящему руководству по эксплуатации прочесть, усвоить и сохранить следующие документы:
 - Информация об универсальном масле STIHL Multioil Bio: www.stihl.com/saftey-data-sheets
 - Информация по технике безопасности для аккумуляторов STIHL и изделий со встроенным аккумулятором: www.stihl.com/saftey-data-sheets

2.2 Маркировка предупредительных надписей в тексте



ОПАСНОСТЬ

Указывает на возможные опасности, которые ведут к тяжелым травмам или смерти.

- ▶ Описанные меры помогут предотвратить тяжелые травмы или смерть.



ПРЕДУПРЕЖДЕНИЕ

Указывает на возможные опасности, которые могут привести к тяжелым травмам **или смерти**.

- ▶ Описанные меры помогут предотвратить тяжелые травмы или смерть.

УКАЗАНИЕ

Указывает на возможные опасности, которые могут привести к возникновению материального ущерба.

- ▶ Описанные меры помогут избежать возникновения материального ущерба.

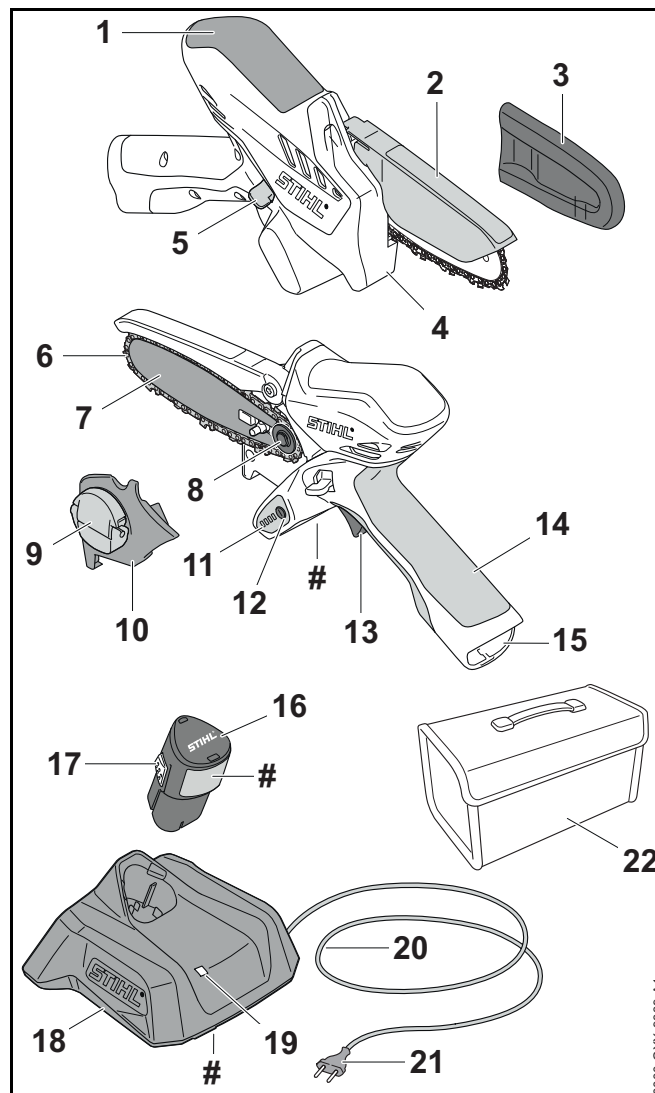
2.3 Символы в тексте



Данный символ указывает на главу в данной инструкции по эксплуатации.

3 Обзор

3.1 Резак для кустарника, аккумулятор и зарядное устройство



1 Место захвата

Место захвата служит для удерживания и ведения резака для кустарника.

2 Защитный кожух

Защитный кожух защищает от контакта с пильной цепью.

3 Кожух цепи

Кожух цепи защищает от контакта с пильной цепью.

4 Упор

Упор служит опорой резака для кустарника о дерево во время работы.

5 Фиксатор

Фиксатор разблокирует рычаг переключения.

6 Пильная цепь

Пильная цепь режет древесину.

7 Направляющая шина

Направляющая шина служит направляющей для пильной цепи.

8 Звездочка

Звездочка приводит в движение пильную цепь.

9 Гайка-барашек

Гайка-барашек служит для крепления крышки цепной звездочки на резаке для кустарника.

10 Крышка цепной звездочки

Крышка цепной звездочки закрывает цепную звездочку и фиксирует направляющую шину резака для кустарника.

11 Светодиоды

Светодиоды отображают уровень заряда аккумулятора и неисправности.

12 Кнопка

Кнопка активирует светодиоды на резаке для кустарника.

13 Рычаг переключения

Рычаг переключения включает и выключает резак для кустарника.

14 Рукоятка управления

Рукоятка управления служит для управления, удерживания и ведения резака для кустарника.

15 Аккумуляторный отсек

В аккумуляторном отсеке размещается аккумулятор.

16 Аккумулятор

Аккумулятор обеспечивает резак для кустарника электроэнергией.

17 Фиксирующий крючок

Фиксирующий крючок удерживает аккумулятор в аккумуляторном отсеке.

18 Зарядное устройство

Зарядное устройство предназначено для зарядки аккумулятора.

19 Светодиод

Светодиод отображает состояние зарядного устройства.

20 Кабель питания

Кабель питания соединяет зарядное устройство со штепсельной вилкой.

21 Штепсельная вилка

Штепсельная вилка соединяет кабель питания с розеткой

22 Сумка

Сумка служит для транспортировки и хранения резака для кустарника, аккумулятора и зарядного устройства. Сумка поставляется только в комплекте (состоящем из резака для кустарника, аккумулятора и зарядного устройства).

Заводская табличка с номером изделия**3.2 Символы**

Символы на резаке для кустарника, аккумуляторе и зарядном устройстве означают следующее.



Данный символ указывает направление движения пильной цепи.



Горит или мигает зеленый светодиод.
Аккумулятор заряжается.



Мигает красный светодиод. Между аккумулятором и зарядным устройством отсутствует электрический контакт или в аккумуляторе/зарядном устройстве имеется неисправность.



Длина направляющей шины, разрешенной к использованию.



L_{WA} Гарантированный уровень звуковой мощности согласно директиве 2000/14/ЕС в дБ(А) для сопоставимости уровней шума изделий.



Значение рядом с символом представляет собой емкость аккумулятора согласно спецификации изготовителя ячейки. Реальная емкость при эксплуатации ниже.



Эксплуатировать электрический прибор в закрытом и сухом помещении.



Не утилизировать изделие вместе с бытовыми отходами.



Прочсть, усвоить и сохранить руководство по эксплуатации.

4 Указания по технике безопасности

4.1 Предупреждающие символы

Предупреждающие символы на резаке для кустарника, аккумуляторе или зарядном устройстве означают следующее.



Соблюдать меры предосторожности и правила техники безопасности.



Прочсть, усвоить и сохранить руководство по эксплуатации.



Работать в защитных очках.



Крепко держать резак для кустарника обеими руками.



Не касаться движущейся пильной цепи.



Вынимать аккумулятор на время перерывов в работе, транспортировки, хранения, технического обслуживания или ремонта.



Предохранять резак для кустарника и зарядное устройство от воздействия дождя и влаги.



Беречь аккумулятор от воздействия высоких температур и огня.



Беречь аккумулятор от дождя и влаги и не погружать в жидкости.

4.2 Использование по назначению

Резак для кустарника STIHL GTA 26 служит для резки древесины.

Запрещается использовать резак для кустарника во время дождя.

Аккумулятор STIHL AS снабжает резак для кустарника электроэнергией.

Зарядное устройство STIHL AL 1 используется для зарядки аккумулятора STIHL AS.

▲ ПРЕДУПРЕЖДЕНИЕ

- Использование аккумуляторов и зарядных устройств, не разрешенных компанией STIHL к применению с данным резак для кустарника, может привести к возгоранию и взрыву. Возможны тяжелые или летальные травмы либо материальный ущерб.
 - ▶ Эксплуатировать резак для кустарника с аккумулятором STIHL AS.
 - ▶ Заряжать аккумулятор STIHL AS с помощью зарядного устройства STIHL AL 1.
- Использование резака для кустарника, аккумулятора или зарядного устройства не по назначению может привести к тяжелым или смертельным травмам и к материальному ущербу.
 - ▶ Использовать резак для кустарника, аккумулятор и зарядное устройство так, как описано в данном руководстве по эксплуатации.

4.3 Требования к пользователю

▲ ПРЕДУПРЕЖДЕНИЕ

- Пользователи, не прошедшие инструктаж, могут не понять или не оценить опасности, связанные с резак для кустарника, аккумулятором и зарядным устройством. Это чревато тяжелыми или смертельными травмами пользователя или других лиц.



- ▶ Прочитать, усвоить и сохранить руководство по эксплуатации.

- ▶ Если резак для кустарника, аккумулятор или зарядное устройство передаются другому лицу. Передать в комплекте руководство по эксплуатации.
- ▶ Убедиться, что пользователь соответствует следующим требованиям.
 - Пользователь находится в отдохнувшем состоянии.
 - Пользователь физически, сенсорно и умственно способен к управлению резак для кустарника, аккумулятором и зарядным устройством и работе с ними. Если пользователь обладает лишь ограниченной физической, сенсорной или умственной способностью к управлению устройством, он может работать только под наблюдением компетентного лица или руководствуясь его указаниями.
 - Пользователь способен распознать и оценить опасности, связанные с резак для кустарника, аккумулятором и зарядным устройством.
 - Пользователь достиг совершеннолетия или пользователь находится на профессиональном обучении под наблюдением согласно государственным предписаниям.
 - Получение инструктажа у представителя STIHL или компетентного лица перед началом работы с резак для кустарника и использованием зарядного устройства.
 - Отсутствие воздействия алкогольных, наркотических веществ или медицинских препаратов.

- ▶ В случае неясностей: обратиться к дилеру STIHL.

4.4 Одежда и оснащение

▲ ПРЕДУПРЕЖДЕНИЕ

- При работе длинные волосы могут быть затянуты в резак для кустарника. Это чревато тяжелыми травмами.
 - ▶ Длинные волосы связать и закрепить так, чтобы они находились поверх плеч.
- Во время работы существует вероятность подбрасывания предметов вверх с высокой скоростью. Возможно травмирование пользователя.



- ▶ Носить плотно прилегающие защитные очки. Подходящие защитные очки прошли испытания в соответствии со стандартом EN 166 или согласно национальным предписаниям и продаются с соответствующей маркировкой.

- ▶ Носить длинные брюки.
- Падающие сверху предметы могут поранить голову.
 - ▶ При опасности падения сверху предметов во время работы: носить защитную каску.
- Во время работы возможно образование пыли. Пыль, попавшая в дыхательные пути, может причинить вред здоровью и вызвать аллергические реакции.
 - ▶ В случае запыления: носить пылезащитную маску.
- Неподходящая одежда может зацепиться за дерево, густой кустарник и резак для кустарника. Пользователи без подходящей одежды могут получить тяжелые травмы.
 - ▶ Носить плотно прилегающую одежду.
 - ▶ Снять шарфы и украшения.

- Во время работы пользователь может порезаться о древесину. Во время чистки или технического обслуживания возможен контакт пользователя с пильной цепью. Возможно травмирование пользователя.
 - ▶ Носить рабочие перчатки из прочного материала.
- При ношении неподходящей обуви пользователь может поскользнуться. Возможно травмирование пользователя.
 - ▶ Носить прочную, закрытую обувь с рифленой подошвой.

4.5 Рабочая зона и окружающее пространство

4.5.1 Резак для кустарника

▲ ПРЕДУПРЕЖДЕНИЕ

- Посторонние лица, дети и животные могут не понять и неправильно оценить опасности, связанные с резаком для кустарника и выбросом предметов. Посторонние, дети и животные могут получить тяжелые травмы и понести материальный ущерб.
 - ▶ Посторонние лица, дети и животные не должны находиться в зоне проведения работ.
 - ▶ Не оставлять резак для кустарника без присмотра.
 - ▶ Не допускать игры детей с резаком для кустарника.
- Резак для кустарника не защищен от воды. Эксплуатация во время дождя или при высокой влажности может привести к поражению электрическим током. Пользователь может получить травмы, и резак для кустарника может быть поврежден.



- ▶ Запрещено работать во время дождя и в условиях высокой влажности.

- Электрические узлы резака для кустарника могут искрить. В легковоспламеняющейся или взрывоопасной среде искры способны инициировать пожар и взрыв. Возможны тяжелые или летальные травмы либо материальный ущерб.
 - ▶ Запрещено работать в легковоспламеняющихся и взрывоопасных средах.

4.5.2 Аккумулятор

▲ ПРЕДУПРЕЖДЕНИЕ

- Посторонние лица, дети и животные могут не понять и неправильно оценить опасности, связанные с аккумулятором. Посторонние лица, дети и животные могут получить тяжелые травмы.
 - ▶ Не подпускать близко посторонних лиц, детей и животных.
 - ▶ Не оставлять аккумулятор без присмотра.
 - ▶ Не допускать игры детей с аккумулятором.
- Аккумулятор не защищен от всех внешних воздействий. При определенных внешних воздействиях аккумулятор может загореться или взорваться. Это чревато тяжелыми травмами и материальным ущербом.



- ▶ Предохранять аккумулятор от воздействия высоких температур и открытого огня.
- ▶ Не бросать аккумулятор в огонь.

- ▶ Использовать и хранить аккумулятор при температурах от - 20 °C до + 50 °C.



- ▶ Предохранять аккумулятор от воздействия дождя и влаги, не погружать его в жидкости.

- ▶ Хранить аккумулятор вдали от металлических предметов.
- ▶ Не подвергать аккумулятор воздействию высокого давления.

- ▶ Не подвергать аккумулятор воздействию микроволн.
- ▶ Предохранять аккумулятор от химических веществ и солей.

4.5.3 Зарядное устройство

▲ ПРЕДУПРЕЖДЕНИЕ

- Посторонние лица и дети могут не понять и неправильно оценить опасности, связанные с зарядным устройством и электрическим током. Посторонние лица, дети и животные могут получить тяжелые или смертельные травмы.
 - ▶ Не подпускать близко посторонних лиц, детей и животных.
 - ▶ Не допускать игры детей с зарядным устройством.
- Зарядное устройство не является влагонепроницаемым. Эксплуатация во время дождя или при высокой влажности может привести к поражению электрическим током. Пользователь может получить травмы, а зарядное устройство может быть повреждено.



- ▶ Не эксплуатировать во время дождя и в условиях высокой влажности.

- Зарядное устройство не защищено от всех внешних воздействий. При определенных внешних воздействиях зарядное устройство может загореться или взорваться. Это чревато тяжелыми травмами и материальным ущербом.
 - ▶ Эксплуатировать зарядное устройство в закрытом и сухом помещении.
 - ▶ Не эксплуатировать зарядное устройство в легковоспламеняющейся и взрывоопасной среде.
 - ▶ Не эксплуатировать зарядное устройство на легковоспламеняющемся основании.
 - ▶ Использовать и хранить зарядное устройство при температурах от - 20 °C до + 50 °C.

- О кабель питания можно споткнуться. Это может привести к травмам и к повреждению зарядного устройства.
 - ▶ Кабель питания должен лежать ровно.

4.6 Безопасное состояние

4.6.1 Резак для кустарника

Резак для кустарника находится в безопасном состоянии при выполнении следующих условий.


- Резак для кустарника не поврежден.
- Резак для кустарника должен быть чистым и сухим.
- Защитный кожух установлен.
- Защитный кожух не поврежден, и его конструкция не изменена.
- Органы управления исправны, и в их конструкцию не вносились изменения.
- Пильная цепь смазана.
- Следы приработки на цепной звездочке не глубже 0,5 мм.
- Установлен указанный в настоящем руководстве по эксплуатации комплект из направляющей шины и пильной цепи.
- Направляющая шина и пильная цепь правильно установлены.
- Пильная цепь правильно натянута.
- Используются только оригинальные принадлежности STIHL для данного резака для кустарника.
- Принадлежности установлены надлежащим образом.

ПРЕДУПРЕЖДЕНИЕ

- В небезопасном состоянии узлы не могут работать надлежащим образом, и система безопасности выходит из строя. Это чревато тяжелыми или летальными травмами.
 - ▶ Работать с неповрежденным резак для кустарника.
 - ▶ Если резак для кустарника загрязнен или намок: очистить и просушить.
 - ▶ Не изменять конструкцию резака для кустарника. Исключение: монтаж указанного в настоящем руководстве по эксплуатации комплекта из направляющей шины и пильной цепи.
 - ▶ Использовать резак для кустарника только с установленным защитным кожухом.
 - ▶ Если резак для кустарника поврежден или конструкция его изменена: работать с резак для кустарника запрещено.
 - ▶ Если органы управления не работают: работать с резак для кустарника запрещено.
 - ▶ Устанавливать на резак для кустарника только оригинальные принадлежности STIHL.
 - ▶ Направляющую шину и пильную цепь устанавливать в соответствии с описанием в настоящем руководстве по эксплуатации.
 - ▶ Устанавливать принадлежности в соответствии с описанием в настоящем руководстве по эксплуатации или в руководстве по эксплуатации принадлежностей.
 - ▶ Не помещать предметы в отверстия резака для кустарника.
 - ▶ Заменить изношенные или поврежденные указательные таблички.
 - ▶ В случае неясностей обратиться к дилеру STIHL.

4.6.2 Направляющая шина

Направляющая шина находится в безопасном состоянии, если соблюдены следующие условия:

- Направляющая шина не повреждена.
- Направляющая шина не деформирована.
- Глубина паза не меньше или больше минимальной глубины,  19.3.
- Паз не сужен и не расширен.

ПРЕДУПРЕЖДЕНИЕ

- В небезопасном состоянии направляющая шина не может правильно направлять пильную цепь. Движущаяся пильная цепь может сорваться с направляющей шины. Это чревато тяжелыми или летальными травмами.
 - ▶ Работать с неповрежденной направляющей шиной.
 - ▶ Если глубина паза меньше минимальной глубины: заменить направляющую шину.
 - ▶ В случае неясностей: обратиться к дилеру STIHL.

4.6.3 Пильная цепь

Пильная цепь находится в безопасном состоянии, если соблюдены следующие условия:

- Пильная цепь не повреждена.
- Пильная цепь правильно заточена.
- Видны метки износа на режущих зубьях.

ПРЕДУПРЕЖДЕНИЕ

- В небезопасном состоянии узлы не могут работать надлежащим образом, и система безопасности выходит из строя. Это чревато тяжелыми или летальными травмами.
 - ▶ Работать с неповрежденной пильной цепью.
 - ▶ Заточить пильную цепь правильно.
 - ▶ В случае неясностей: Обратиться к дилеру STIHL.

4.6.4 Аккумулятор

Аккумулятор находится в безопасном состоянии, если выполнены следующие условия:

- Аккумулятор не имеет повреждений.
- Аккумулятор чистый и сухой.
- Аккумулятор работоспособен и не подвергался никаким изменениям конструкции.

ПРЕДУПРЕЖДЕНИЕ

- В небезопасном состоянии аккумулятор перестает работать исправно. В результате чего возможно получение серьезных травм.
 - ▶ Запрещается использовать поврежденный или неисправный аккумулятор.
 - ▶ Не заряжать поврежденный или неисправный аккумулятор.
 - ▶ Если аккумулятор загрязнен или влажный: очистить аккумулятор и дать ему высохнуть.
 - ▶ Не вносить изменений в конструкцию аккумулятора.
 - ▶ Не вставлять предметы в отверстия аккумулятора.
 - ▶ Не соединять электрические контакты аккумулятора металлическими предметами во избежание замыкания.
 - ▶ Не вскрывать аккумулятор.
 - ▶ Заменить изношенные или поврежденные таблички с предупредительными надписями.
- Из поврежденного аккумулятора может вытечь жидкость. В случае попадания этой жидкости на кожу или в глаза возможно появление раздражений кожи или глаз.
 - ▶ Избегать контакта с жидкостью.
 - ▶ В случае попадания жидкости на кожу: промыть соответствующие участки кожи обильным количеством воды с мылом.

- ▶ В случае попадания жидкости в глаза: промывать глаза обильным количеством воды не менее 15 минут, после чего обратиться к врачу.
- От поврежденного или неисправного аккумулятора может исходить непривычный запах, также возможно образование дыма или возгорание, что связано с опасностью получения серьезных травм вплоть до летального исхода, а также с опасностью материального ущерба.
 - ▶ В случае непривычного запаха от аккумулятора или образования дыма: не использовать аккумулятор и держать его вдали от горючих веществ.
 - ▶ В случае возгорания аккумулятора: постараться потушить аккумулятор огнетушителем или водой.

4.6.5 Зарядное устройство

Зарядное устройство находится в безопасном состоянии, если выполняются следующие условия:

- на зарядном устройстве отсутствуют повреждения;
- зарядное устройство чистое и сухое.

▲ ПРЕДУПРЕЖДЕНИЕ

- В небезопасном состоянии узлы не могут работать надлежащим образом, и система безопасности выходит из строя. Это чревато тяжелыми или летальными травмами.
 - ▶ Использовать неповрежденное зарядное устройство.
 - ▶ Если зарядное устройство повреждено или мокрое: очистить зарядное устройство и дать ему высохнуть.
 - ▶ Не вносить изменения в конструкцию зарядного устройства.
 - ▶ Не помещать предметы в отверстия зарядного устройства.
 - ▶ Не соединять контакты зарядного устройства с металлическими предметами – это может привести к короткому замыканию.
 - ▶ Не вскрывать зарядное устройство.

4.7 Выполнение работы

▲ ПРЕДУПРЕЖДЕНИЕ

- Если за пределами рабочей зоны в радиусе слышимости отсутствуют люди, в экстренном случае никто не сможет прийти на помощь.
 - ▶ Обеспечить, чтобы за пределами рабочей зоны в радиусе слышимости находились люди.
- В определенных ситуациях пользователь не может сохранять концентрацию при работе. Пользователь может потерять контроль над резаком для кустарника, споткнуться, упасть и получить тяжелые травмы.
 - ▶ Работать спокойно и осторожно.
 - ▶ При плохом освещении и плохой видимости не работать с резаком для кустарника.
 - ▶ Работать с резаком для кустарника в одиночку.
 - ▶ Не держать инструмент выше плеча.
 - ▶ Обращать внимание на препятствия.
 - ▶ При работе стоять на грунте и удерживать равновесие. При необходимости работать на высоте. Использовать подъемную рабочую площадку или надежные леса.
 - ▶ При явлениях усталости: устроить перерыв в работе.
- Движущаяся пильная цепь может причинить порезы пользователю. Пользователь может получить тяжелые повреждения.
 - ▶ Не касаться движущейся пильной цепи.
 - ▶ Если пильная цепь заблокирована каким-либо предметом: Выключить резак для кустарника и извлечь аккумулятор. Только после этого удалить предмет.

- Движущаяся пыльная цепь нагревается и растягивается. Если пыльная цепь недостаточно смазана и натянута, она может сорваться с направляющей шины или порваться. Это чревато тяжелыми травмами и материальным ущербом.
 - ▶ Использовать универсальное масло STIHL Multioil Bio или аналогичное ему, способное к биологическому разложению универсальное масло.
 - ▶ В процессе работы после каждой зарядки аккумулятора смазать пыльную цепь.
 - ▶ При работе регулярно проверять натяжение пыльной цепи. Если цепь имеет недостаточное натяжение: подтянуть пыльную цепь.
- В процессе работы возможен сильный нагрев направляющей шины, пыльной цепи и цепной звездочки. Возможны ожоги пользователя.
 - ▶ Не прикасаться к горячей направляющей шине, пыльной цепи и цепной звездочке.
 - ▶ Подождать, пока направляющая шина, пыльная цепь и цепная звездочка остынут.
 - ▶ Носить рабочие перчатки из прочного материала.
- Если в процессе работы с резак для кустарника происходят изменения или режим его работы меняется, возможно, что резак для кустарника находится в небезопасном состоянии. Это чревато тяжелыми травмами и материальным ущербом.
 - ▶ Завершить работу, извлечь аккумулятор и обратиться к дилеру STIHL.
- При работе резака для кустарника возможны вибрации.
 - ▶ Работать в перчатках.
 - ▶ Делать перерывы.
 - ▶ При появлении признаков нарушения кровообращения: обратиться к врачу.

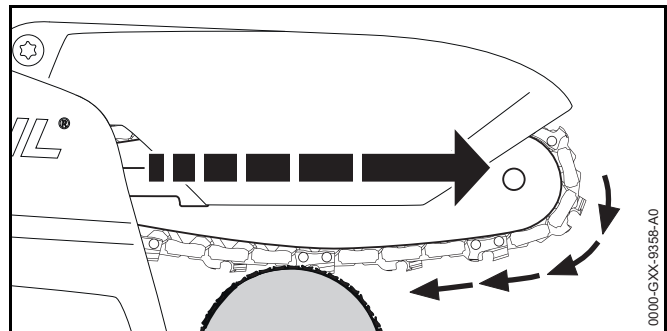
- Если движущаяся пыльная цепь задевает за твердый предмет, возможно образование искр. Искры в легковоспламеняющемся окружении могут стать причиной пожара. Возможны тяжелые или летальные травмы либо материальный ущерб.
 - ▶ Не работать в легковоспламеняющемся окружении.
- После отпускания рычага переключения пыльная цепь продолжает двигаться в течение непродолжительного времени. Движущаяся пыльная цепь может нанести порезы. Это чревато тяжелыми травмами.
 - ▶ Подождать до остановки пыльной цепи.

▲ ОПАСНОСТЬ

- При выполнении работ вблизи электропроводки под напряжением возможен контакт пыльной цепи с электропроводкой. Это чревато тяжелыми травмами или смертью пользователя.
 - ▶ Не работать вблизи электропроводки под напряжением.

4.8 Реакционные силы

4.8.1 Реакционные силы



При пилении нижней стороной направляющей шины резак для кустарника может быть оттянут в сторону.

▲ ПРЕДУПРЕЖДЕНИЕ

- Если движущаяся пильная цепь попадает на твердый предмет и быстро тормозится, резак для кустарника может быть рывком оттянут в сторону. Это может привести к тяжелым травмам людей.
 - ▶ Крепко держать резак для кустарника обеими руками.
 - ▶ Работать в соответствии с предписаниями в настоящем руководстве по эксплуатации.
 - ▶ Работать с установленным защитным кожухом.
 - ▶ Работать с неповрежденным защитным кожухом без изменений в его конструкции.
 - ▶ Работать с правильно заточенной и натянутой пильной цепью.
 - ▶ Вести направляющую шину в разрезе прямо.
 - ▶ Правильно установить упор.
 - ▶ Работать на полном газу.

4.9 Зарядка

▲ ПРЕДУПРЕЖДЕНИЕ

- При зарядке поврежденное или неисправное зарядное устройство может издавать необычный запах или дымиться. Это чревато травмами и материальным ущербом.
 - ▶ Вынуть штепсельную вилку из розетки.
- При недостаточном отводе тепла зарядное устройство может перегреться и вызвать пожар. Возможны тяжелые или летальные травмы либо материальный ущерб.
 - ▶ Не вскрывать зарядное устройство.

4.10 Подключение электропитания

Контакт с токопроводящими элементами может возникнуть по следующим причинам:

- Поврежден кабель питания или удлинительный шнур.

- Повреждена штепсельная вилка кабеля питания или удлинительного шнура.
- Неправильно установлена розетка.

▲ ОПАСНОСТЬ

- Контакт с токопроводящими элементами может привести к поражению электрическим током. Это чревато тяжелыми травмами или смертью пользователя.
 - ▶ Убедиться, что кабель питания, удлинительный шнур и их штепсельные вилки не повреждены.



Если кабель питания или удлинительный шнур поврежден:

- ▶ Не прикасаться к поврежденному месту.
- ▶ Вынуть штепсельную вилку из розетки.
- ▶ Браться за кабель питания, соединительный шнур и их штепсельные вилки сухими руками.
- ▶ Подключить штепсельную вилку кабеля питания или удлинительного шнура в установленную надлежащим образом и защищенную розетку с защитным контактом.
- ▶ Подсоединить зарядное устройство через защитный выключатель тока утечки (30 мА, 30 мс).
- Поврежденный или неподходящий удлинительный шнур может стать причиной поражения электрическим током. Это чревато тяжелыми или летальными травмами.
 - ▶ Использовать удлинительный шнур с надлежащим сечением жил, 19.6.

⚠ ПРЕДУПРЕЖДЕНИЕ

- Во время зарядки неправильное напряжение или неправильная частота в сети могут вызвать перенапряжение зарядного устройства. Возможно повреждение зарядного устройства.
 - ▶ Убедиться, что напряжение и частота сети соответствуют данным на заводской табличке зарядного устройства.
- Неправильно проложенный кабель питания и удлинительный шнур может быть поврежден и люди могут споткнуться об него. Это может привести к травмам, а кабель питания или удлинительный шнур может быть поврежден.
 - ▶ Кабель питания и удлинительный шнур прокладывать и обозначить так, чтобы люди не могли об них споткнуться.
 - ▶ Кабель питания и удлинительный шнур прокладывать так, чтобы предотвратить возможность их натяжения и запутывания.
 - ▶ Кабель питания и удлинительный шнур прокладывать так, чтобы предотвратить возможность их повреждения, перегиба или сжатия.
 - ▶ Беречь кабель питания и удлинительный шнур от высоких температур, масла и химикатов.
 - ▶ Прокладывать кабель питания и удлинительный шнур по сухой поверхности.
- Во время работы удлинительный шнур нагревается. В случае отсутствия отвода тепла это может привести к пожару.
 - ▶ Если используется кабельный барабан: Полностью размотать кабели с кабельного барабана.
- При подвешивании зарядного устройства на стене могут быть повреждены проходящие в стене электрические провода и трубы. Контакт с

электрическими проводами может привести к поражению электрическим током. Это чревато тяжелыми травмами и материальным ущербом.

- ▶ Убедиться, что в данном месте в стене не проходят электрические провода и трубы.
- При подвешивании зарядного устройства на стене вопреки инструкциям в настоящем руководстве по эксплуатации возможно падение зарядного устройства или аккумулятора либо перегрев зарядного устройства. Это чревато травмами и материальным ущербом.
 - ▶ Подвесить зарядное устройство на стену в соответствии с описанием в настоящем руководстве по эксплуатации.
- При подвешивании на стену зарядного устройства со вставленным аккумулятором он может выпасть из зарядного устройства. Это чревато травмами и материальным ущербом.
 - ▶ Сначала подвесить зарядное устройство на стену, а затем вставить аккумулятор.

4.11 Транспортировка

4.11.1 Резак для кустарника

⚠ ПРЕДУПРЕЖДЕНИЕ

- В процессе транспортировки резак для кустарника может опрокинуться или сдвинуться. Это чревато травмами и материальным ущербом.



- ▶ Извлечь аккумулятор.
- ▶ Надеть на направляющую шину защиту цепи так, чтобы она закрывала всю шину.
- ▶ Транспортировать резак для кустарника в прилагаемой к нему сумке.

- ▶ Если сумка в комплекте поставки отсутствует: закрепить резак для кустарника стяжными ремнями, лентами или сеткой, чтобы он не мог опрокинуться и сместиться.

4.11.2 Аккумулятор

▲ ПРЕДУПРЕЖДЕНИЕ

- Аккумулятор не защищен от всех внешних воздействий. Определенные внешние воздействия могут привести к повреждению аккумулятора и к материальному ущербу.
 - ▶ Не транспортировать поврежденный аккумулятор.
 - ▶ Транспортировать аккумулятор в прилагаемой к нему сумке.
 - ▶ Если сумка в комплекте поставки отсутствует: транспортировать аккумулятор в упаковке, не проводящей электричество.
- Во время транспортировки аккумулятор может перевернуться или сдвинуться. Это чревато травмами и материальным ущербом.
 - ▶ Вложить аккумулятор в упаковку так, чтобы он не двигался.
 - ▶ Зафиксировать упаковку так, чтобы она не двигалась.

4.11.3 Зарядное устройство

▲ ПРЕДУПРЕЖДЕНИЕ

- При транспортировке зарядное устройство может опрокинуться или сместиться. Это чревато травмами и материальным ущербом.
 - ▶ Вынуть штепсельную вилку из розетки.
 - ▶ Извлечь аккумулятор.
 - ▶ Транспортировать зарядное устройство в прилагаемой к нему сумке.

- ▶ Если сумка в комплекте поставки отсутствует: Закрепить зарядное устройство стяжными ремнями, лентами или сеткой, чтобы оно не могло опрокинуться и сместиться.

- Кабель питания не предназначен для ношения на нем зарядного устройства. Кабель питания и зарядное устройство могут быть повреждены.
 - ▶ Смотать кабель питания и закрепить на зарядном устройстве.

4.12 Хранение

4.12.1 Резак для кустарника

▲ ПРЕДУПРЕЖДЕНИЕ

- Дети могут не понять и неправильно оценить опасности, связанные с резаком для кустарника. Это может привести к серьезным травмам детей.



- ▶ Извлечь аккумулятор.

- ▶ Надеть на направляющую шину защиту цепи так, чтобы она закрывала всю шину.
- ▶ Хранить резак для кустарника в недоступном для детей месте.

- Электрические контакты резака для кустарника и металлические узлы могут подвергнуться коррозии из-за сырости. Возможно повреждение резака для кустарника.



- ▶ Извлечь аккумулятор.

- ▶ Хранить резак для кустарника в чистом и сухом состоянии.

4.12.2 Аккумулятор

▲ ПРЕДУПРЕЖДЕНИЕ

- Дети могут не понять и неправильно оценить опасности, связанные с аккумулятором. Это может привести к серьезным травмам детей.
 - ▶ Хранить аккумулятор в недоступном для детей месте.
- Аккумулятор не защищен от всех внешних воздействий. Определенные внешние воздействия на аккумулятор могут привести к его повреждению.
 - ▶ Хранить аккумулятор в чистом и сухом состоянии.
 - ▶ Хранить аккумулятор в закрытом помещении.
 - ▶ Хранить аккумулятор отдельно от резака для кустарника и зарядного устройства.
 - ▶ Хранить аккумулятор в упаковке, не проводящей электричество.
 - ▶ Хранить аккумулятор при температурах от - 20 °С до + 70 °С.

4.12.3 Зарядное устройство

▲ ПРЕДУПРЕЖДЕНИЕ

- Дети могут не понять и неправильно оценить опасности, связанные с зарядным устройством. Это может привести к тяжелым травмам или смерти детей.
 - ▶ Извлечь аккумулятор.
 - ▶ Хранить зарядное устройство в недоступном для детей месте.
- Зарядное устройство не защищено от всех внешних воздействий. Определенные внешние воздействия могут привести к повреждению зарядного устройства.
 - ▶ Извлечь аккумулятор.
 - ▶ Если зарядное устройство нагрелось: дать остыть зарядному устройству.
 - ▶ Хранить зарядное устройство в чистом и сухом состоянии.

- ▶ Хранить зарядное устройство в закрытом помещении.
- ▶ Хранить зарядное устройство при температурах от - 20 °С до + 70 °С.
- Кабель питания не предназначен для ношения или подвешивания зарядного устройства. Кабель питания и зарядное устройство могут быть повреждены.
 - ▶ Брать и держать зарядное устройство за корпус. Для удобного поднятия зарядного устройства на нем предусмотрена потайная ручка.
 - ▶ Повесить зарядное устройство на настенную консоль.

4.13 Очистка, техническое обслуживание и ремонт

▲ ПРЕДУПРЕЖДЕНИЕ

- Если при очистке, техническом обслуживании или ремонте вставлен аккумулятор, возможно бесконтрольное включение резака для кустарника. Это чревато тяжелыми травмами и материальным ущербом.



- ▶ Извлечь аккумулятор.

- Сильные чистящие средства, очистка струей воды или острые предметы могут повредить резак для кустарника, направляющую шину, пильную цепь, аккумулятор и зарядное устройство. Неправильная очистка резака для кустарника, пильной цепи,













аккумулятора или зарядного устройства приводит к неполадкам в работе узлов и выходу из строя системы безопасности. Это чревато тяжелыми травмами.

- ▶ Чистить резак для кустарника, направляющую шину, пильную цепь, аккумулятор и зарядное устройство в соответствии с предписаниями в настоящем руководстве по эксплуатации.
- Неправильное техобслуживание или ремонт резака для кустарника, направляющей шины, пильной цепи, аккумулятора и зарядного устройства может привести к неполадкам в работе и выходу из строя системы безопасности. Это чревато тяжелыми или летальными травмами.
 - ▶ Не производить самостоятельную очистку или техобслуживание резака для кустарника, аккумулятора и зарядного устройства.
 - ▶ При необходимости технического обслуживания или ремонта резака для кустарника, аккумулятора или зарядного устройства: обратиться к дилеру STIHL.
 - ▶ Осуществлять техобслуживание и ремонт направляющей шины и пильной цепи в соответствии с описанием в настоящем руководстве по эксплуатации.
- При очистке или техобслуживании пильной цепи пользователь может порезаться об острые зубья. Пользователь может получить травмы.
 - ▶ Носить рабочие перчатки из прочного материала.

5 Подготовка резака для кустарника к работе

5.1 Подготовка резака для кустарника к работе

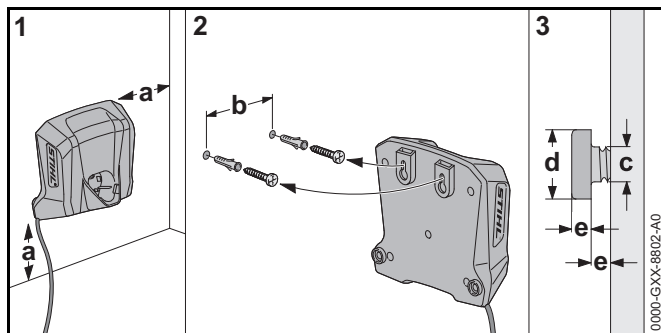
Каждый раз перед началом работы необходимо выполнить следующее.

- ▶ Убедиться в надлежащем состоянии следующих узлов:
 - резак для кустарника,  4.6.1.
 - направляющая шина,  4.6.2.
 - пильная цепь,  4.6.3.
 - аккумулятор,  4.6.4.
 - зарядное устройство,  4.6.5.
- ▶ Проверить аккумулятор,  10.6.
- ▶ Полностью зарядить аккумулятор.  6.2.
- ▶ Очистить резак для кустарника,  15.1.
- ▶ Выполнить монтаж направляющей шины и пильной цепи,  7.1.1.
- ▶ Подтянуть пильную цепь,  7.2.
- ▶ Смазать пильную цепь,  7.3.
- ▶ Проверить элементы управления,  10.5.
 - ▶ Если при проверке органов управления 3 красных светодиода на аккумуляторе мигают Извлечь аккумулятор и обратиться к дилеру STIHL. Неисправность в резаке для кустарника.
- ▶ Если указанные работы выполнить невозможно: не использовать резак для кустарника и обратиться к дилеру STIHL.

6 Зарядка аккумуляторов и светодиоды на аккумуляторе

6.1 Монтаж зарядного устройства на стене

Зарядное устройство можно смонтировать на стене.



► Смонтировать зарядное устройство на стене так, выполнив следующие условия:

- Использовать подходящие крепежные детали.
- Зарядное устройство должно располагаться горизонтально.
- Соблюдены следующие размеры:
 - a = не менее 100 мм
 - b = 54 мм
 - c = 4,5 мм
 - d = 9 мм
 - e = 2,5 мм

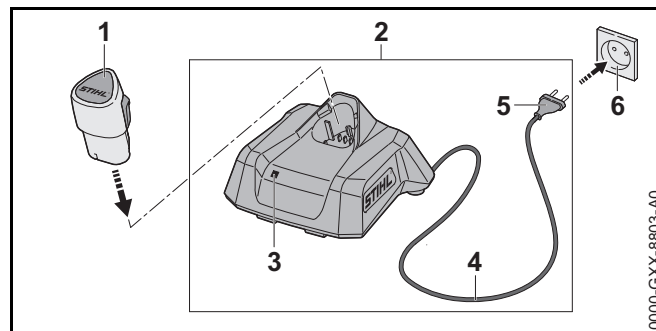
6.2 Зарядка аккумулятора

Продолжительность подзарядки зависит от различных факторов, например, температуры аккумулятора или окружающей температуры. Фактическая продолжительность зарядки может отличаться от указанной. Продолжительность зарядки указана на странице www.stihl.com/charging-times.

Если штепсельная вилка вставлена в розетку и аккумулятор вставлен в зарядное устройство, то процесс подзарядки начинается автоматически.

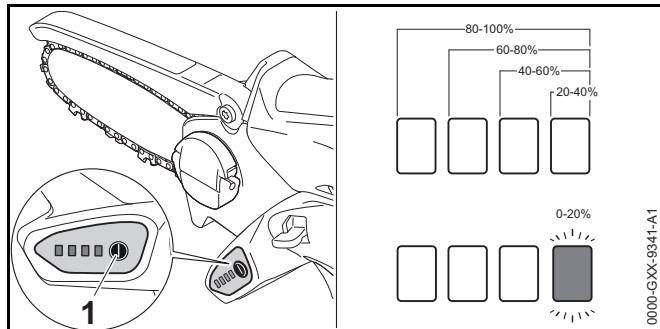
Когда аккумулятор зарядится полностью, зарядное устройство автоматически отключится.

При подзарядке аккумулятор и зарядное устройство нагреваются.



- Вставить штепсельную вилку (5) в доступную розетку (6). Зарядное устройство (2) выполняет самотестирование. Светодиод (3) примерно 1 секунду горит зеленым светом и примерно 1 секунду – красным.
- Положить кабель питания (4).
- Вставить аккумулятор (1) в направляющие зарядного устройства (2) и вдавить до упора. Горит или мигает зеленый светодиод (3). Аккумулятор (2) заряжается.
- Если светодиод (3) больше не горит: аккумулятор (1) полностью заряжен и его можно вынуть из зарядного устройства (2).
- Если зарядное устройство (2) больше не используется: Вынуть штепсельную вилку (5) из розетки (6).

6.3 Индикация уровня заряда



- ▶ Вставить аккумулятор.
- ▶ Нажать кнопку (1).
В течение примерно 5 секунд горят зеленые светодиоды, отображая уровень заряда.
- ▶ Если мигает правый зеленый светодиод: зарядить аккумулятор.

6.4 Светодиоды на резаке для кустарника

Светодиоды отображают уровень заряда или неисправности аккумулятора. Могут светиться либо мигать зеленые или красные светодиоды.

Если светятся или мигают зеленые светодиоды, отображается уровень заряда.

- ▶ Если светятся или мигают красные светодиоды: устранить неисправности, 18.
Резак для кустарника или аккумулятор неисправен.

6.5 Светодиод на зарядном устройстве

Светодиод отображает состояние зарядного устройства или неисправности. Могут гореть либо мигать зеленые или красные светодиоды.

Если горит или мигает зеленый светодиод, аккумулятор заряжается.

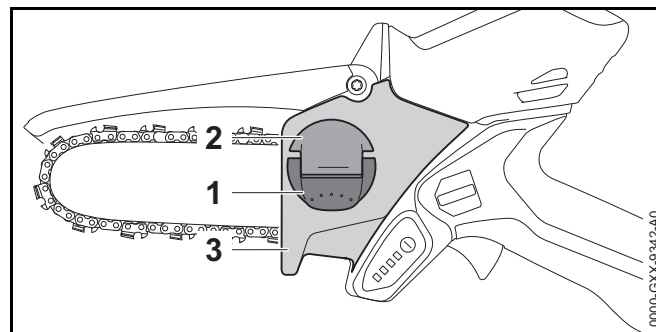
- ▶ Если горит или мигает красный светодиод: устранить неисправности, 18.
Имеет место неисправность зарядного устройства или аккумулятора.

7 Сборка резака для кустарника

7.1 Демонтаж и монтаж направляющей шины и пильной цепи

7.1.1 Демонтаж направляющей шины и пильной цепи

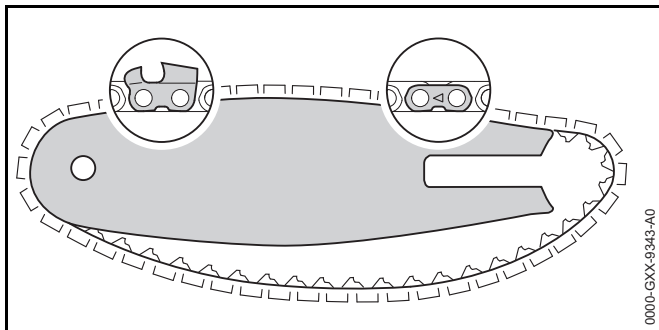
- ▶ Выключить резак для кустарника и извлечь аккумулятор.



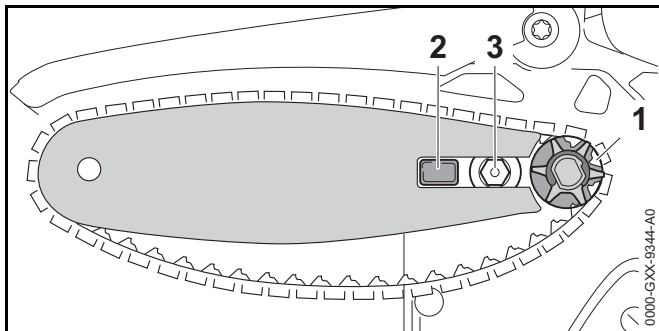
- ▶ Поднять ручку (1) гайки-барашка (2).
- ▶ Отворачивать гайку-барашек (2) против часовой стрелки, пока она не снимется с крышки цепной звездочки (3).
- ▶ Снять крышку звездочки (3).
- ▶ Снять направляющую шину и пильную цепь.

7.1.2 Монтаж направляющей шины и пильной цепи

Сочетания направляющей шины и пильной цепи, соответствующие звездочке и пригодные для использования, указаны в технических характеристиках, 20.1.



- ▶ Уложить пильную цепь в паз направляющей шины так, чтобы стрелки на соединительных звеньях пильной цепи с верхней стороны были сориентированы в направлении движения.



- ▶ Установить направляющую шину с пильной цепью на резак для кустарника так, чтобы были выполнены следующие условия.
 - Ведущие звенья пильной цепи входят в зубья звездочки (1).
 - Цапфа (2) вошла в продольное отверстие направляющей шины.
 - Винт с буртиком (3) вошел в продольное отверстие направляющей шины.

Ориентация направляющей шины не играет роли. Надпись на направляющей шине может быть перевернутой.

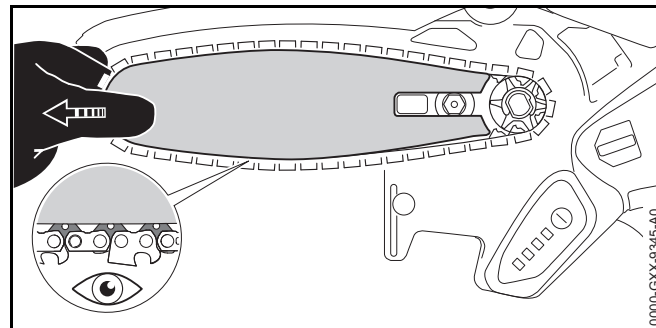
- ▶ подтянуть пильную цепь.

- ▶ Крышку цепной звездочки приставить к корпусу резака для кустарника таким образом, чтобы крышка не выступала за него.
- ▶ Вращать гайку-барашек по часовой стрелке до тех пор, пока крышка цепной звездочки не будет плотно прилегать к корпусу резака для кустарника.
- ▶ Опустить ручку гайки-барашка.

7.2 Натяжение пильной цепи

При работе пильная цепь может удлиняться или укорачиваться. Натяжение пильной цепи меняется. При работе необходимо регулярно проверять натяжение пильной цепи и подтягивать ее.

- ▶ Выключить резак для кустарника и извлечь аккумулятор.



- ▶ Поднять ручку гайки-барашка.
- ▶ Повернуть гайку-барашек на 2 оборота против часовой стрелки. Гайка-барашек ослаблена.

ПРЕДУПРЕЖДЕНИЕ

Режущие зубья пильной цепи острые. Пользователь может порезаться.

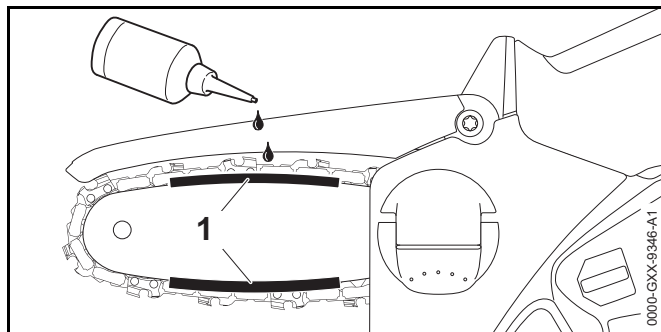
- ▶ Носить рабочие перчатки из прочного материала.

- ▶ Переместить направляющую шину влево или вправо настолько, чтобы выполнялось следующее условие:
 - ведущие звенья пильной цепи еще до половины видны с нижней стороны направляющей шины.
- ▶ Вращать гайку-барашек по часовой стрелке до тех пор, пока крышка цепной звездочки не будет плотно прилегать к корпусу резака для кустарника.
- ▶ Если пильную цепь можно еще протянуть по направляющей шине двумя пальцами и с небольшим усилием: пильная цепь правильно натянута.
- ▶ Если ведущие звенья пильной цепи полностью видны с нижней стороны направляющей шины: повторно натянуть пильную цепь.
- ▶ Опустить ручку гайки-барашка.

7.3 Смазка пильной цепи

Универсальное масло STIHL Multioil Bio или аналогичное ему, способное к биологическому разложению универсальное масло используется для смазки и охлаждения вращающейся пильной цепи.

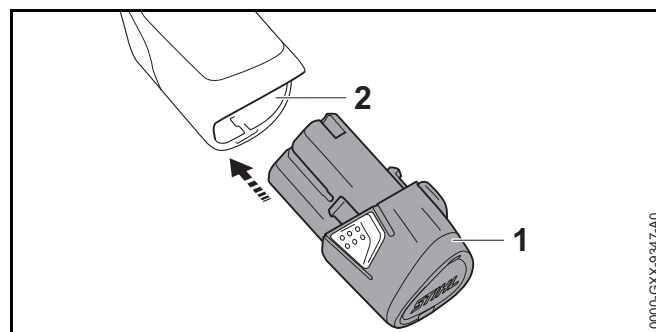
- ▶ Выключить резак для кустарника и извлечь аккумулятор.
- ▶ Положить резак для кустарника на ровную поверхность так, чтобы крышка цепной звездочки была обращена вверх.
- ▶ Очистить направляющую шину и пильную цепь кистью, мягкой щеткой или растворителем STIHL для удаления смолы.



- ▶ Нанести универсальное масло в зоне (1) между направляющей шиной и пильные цепью.
- ▶ Вставить аккумулятор.
- ▶ Включить резак для кустарника. Универсальное масло распространяется по пильной цепи. Пильная цепь смазана.

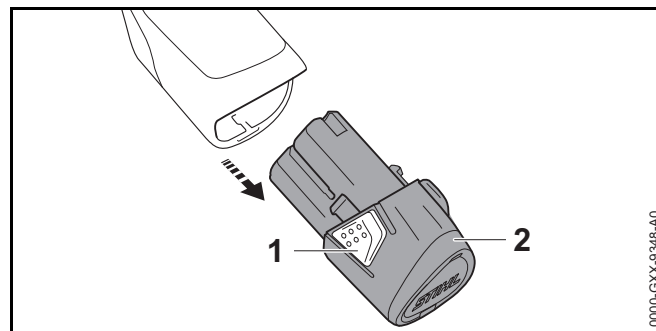
8 Установка и извлечение аккумулятора

8.1 Установка аккумулятора



- ▶ Вставить аккумулятор (1) в аккумуляторный отсек (2) до упора. Аккумулятор (1) фиксируется со щелчком.

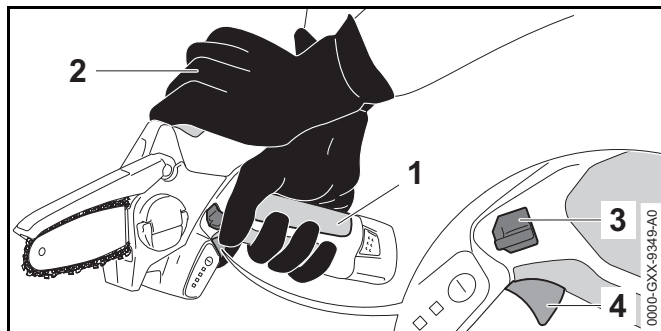
8.2 Извлечение аккумулятора



- ▶ Нажать на оба фиксирующих крюка (1).
Аккумулятор (2) разблокирован и его можно вынуть.

9 Включение и выключение резака для кустарника

9.1 Включение резака для кустарника



- ▶ Держать резак для кустарника одной рукой в зоне захвата (1) за рукоятку управления так, чтобы большой палец охватывал эту рукоятку.
- ▶ Вести резак для кустарника, держа его другой рукой в месте захвата (2).
- ▶ Нажать большим пальцем и удерживать нажатым фиксатор (3).
- ▶ Указательным пальцем нажать на рычаг переключения (4) и удерживать в нажатом положении. Резак для кустарника ускоряется, и пильная цепь вращается. Фиксатор (3) можно отпустить.

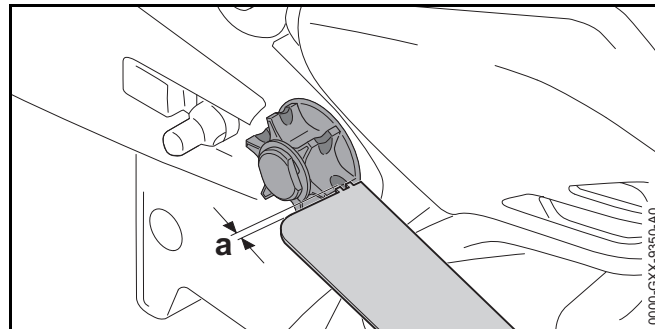
9.2 Выключение резака для кустарника

- ▶ Отпустить рычаг переключения. Пильная цепь не движется.
- ▶ Если пильная цепь продолжает двигаться: Извлечь аккумулятор и обратиться к дилеру STIHL. Резак для кустарника неисправен.

10 Проверка резака для кустарника и аккумулятора

10.1 Проверка звездочки

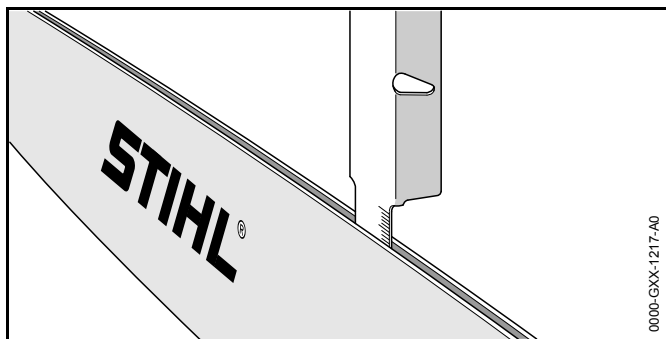
- ▶ Выключить резак для кустарника и извлечь аккумулятор.
- ▶ Снять крышку звездочки.
- ▶ Снять направляющую шину и пильную цепь.



- ▶ Измерить следы приработки на звездочке с помощью контрольного шаблона STIHL.
- ▶ Если следы приработки имеют глубину больше $a = 0,5$ мм: не использовать резак для кустарника и обратиться к дилеру STIHL. Звездочку необходимо заменить.

10.2 Проверка направляющей шины

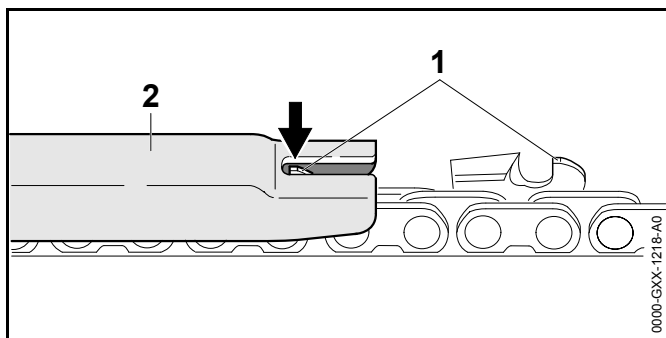
- ▶ Выключить резак для кустарника и извлечь аккумулятор.
- ▶ Снять пильную цепь и направляющую шину.



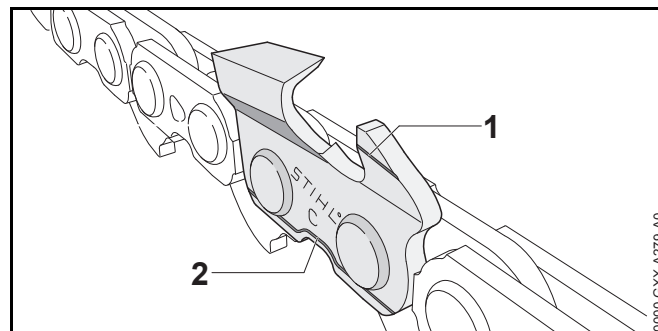
- ▶ Измерить глубину паза направляющей шины с помощью мерной линейки опиловочного шаблона STIHL.
- ▶ Заменить направляющую шину при выполнении любого из следующих условий:
 - Направляющая шина повреждена.
 - Измеренная глубина паза меньше минимальной глубины паза направляющей шины, 19.3.
 - Паз направляющей шины сужен или расширен.
- ▶ В случае неясностей: обратиться к дилеру STIHL.

10.3 Проверка пильной цепи

- ▶ Выключить резак для кустарника и извлечь аккумулятор.



- ▶ Измерить высоту ограничителя глубины (1) с помощью опиловочного шаблона (2) STIHL. Опиловочный шаблон STIHL должен соответствовать шагу пильной цепи.
- ▶ Если ограничитель глубины (1) выступает за опиловочный шаблон (2): дополнительно обработать ограничитель глубины (1), 16.1.



- ▶ Проверить, видны ли на режущих зубьях метки износа (от 1 до 2).
- ▶ Если одна из меток износа на режущем зубе не видна: не использовать пильную цепь и обратиться к дилеру STIHL.
- ▶ Проверить опиловочным шаблоном STIHL, выдержан ли угол заточки режущих зубьев 30° . Опиловочный шаблон STIHL должен соответствовать шагу пильной цепи.
- ▶ Если угол заточки 30° не выдержан: заточить пильную цепь.
- ▶ В случае неясностей: обратиться к дилеру STIHL.

10.4 Проверка защитного кожуха

- ▶ Извлечь аккумулятор.

ПРЕДУПРЕЖДЕНИЕ

Режущие зубья пильной цепи острые. Пользователь может порезаться.

- ▶ Носить рабочие перчатки из прочного материала.

- ▶ Поднять вверх защитный кожух и отпустить. Защитный кожух возвращается в исходное положение под действием пружины.
- ▶ Если защитный кожух движется с трудом и не возвращается в исходное положение под действием пружины: не использовать резак для кустарника и обратиться к дилеру STIHL. Защитный кожух неисправен.

10.5 Проверка органов управления

Фиксатор и рычаг переключения

- ▶ Извлечь аккумулятор.
- ▶ Попытаться нажать рычаг переключения, не нажимая стопорную кнопку.
- ▶ Если на рычаг переключения можно нажать: обратиться к дилеру STIHL. Фиксатор неисправен.
- ▶ Нажать и удерживать нажатым фиксатор.
- ▶ Нажать и отпустить рычаг переключения.
- ▶ Если рычаг переключения движется туго или не возвращается в исходное положение: не использовать резак для кустарника и обратиться к дилеру STIHL. Рычаг переключения неисправен.

Включение резака для кустарника

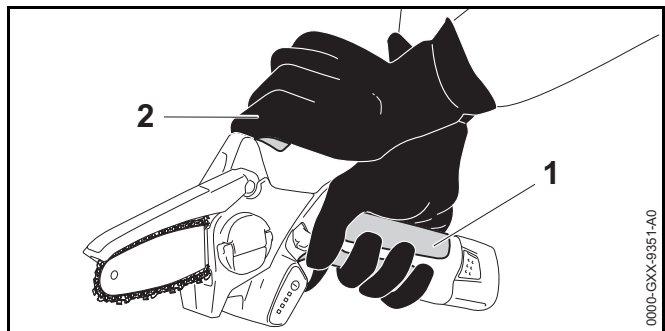
- ▶ Вставить аккумулятор.
- ▶ Нажать и удерживать нажатым фиксатор.
- ▶ Нажать и удерживать рычаг переключения. Пильная цепь движется.
- ▶ Если мигают 3 красных светодиода: Извлечь аккумулятор и обратиться к дилеру STIHL. Неисправность в резаке для кустарника.
- ▶ Отпустить рычаг переключения. Пильная цепь не движется.
- ▶ Если пильная цепь продолжает двигаться: Извлечь аккумулятор и обратиться к дилеру STIHL. Резак для кустарника неисправен.

10.6 Проверить аккумулятор

- ▶ Вставить аккумулятор.
- ▶ Нажать кнопку на резаке для кустарника. Светодиоды светятся или мигают.
- ▶ Если светодиоды не горят или мигают: не использовать резак для кустарника и аккумулятор, обратиться к дилеру STIHL. Резак для кустарника или аккумулятор неисправен.

11 Работа с резаком для кустарника.

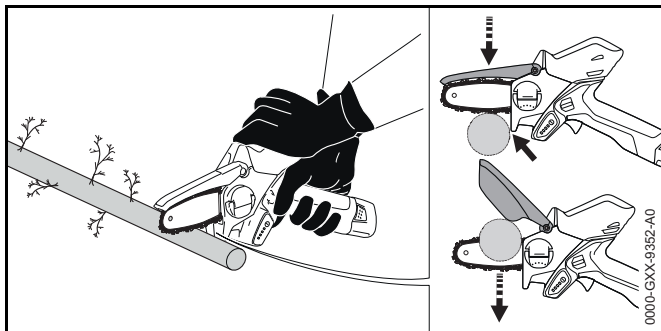
11.1 Как держать и вести резак для кустарника



- ▶ Держать резак для кустарника одной рукой в зоне захвата (1) за рукоятку управления и вести так, чтобы большой палец охватывал эту рукоятку.
- ▶ Вести резак для кустарника, держа его другой рукой в месте захвата (2).

11.2 Резка

- ▶ Ввести в разрез направляющую шину на полном газу.



- ▶ Установить упор и использовать его как точку поворота.
- ▶ Полностью провести направляющую шину сквозь дерево.
- ▶ В конце реза принять на себя вес резака для кустарника.
- ▶ Ветки обрезать по отдельности.

12 После работы

12.1 После работы

- ▶ Выключить резак для кустарника и извлечь аккумулятор.
- ▶ Если резак для кустарника мокрый: просушить резак для кустарника.
- ▶ Если аккумулятор мокрый: просушить аккумулятор.
- ▶ Очистить резак для кустарника.
- ▶ Очистить направляющую шину и пильную цепь.
- ▶ Надеть на направляющую шину защиту цепи так, чтобы она закрывала всю шину.
- ▶ Очистить аккумулятор.

13 Транспортировка

13.1 Транспортировка резака для кустарника

- ▶ Выключить резак для кустарника и извлечь аккумулятор.
- ▶ Надеть на направляющую шину защиту цепи так, чтобы она закрывала всю шину.

Переноска резака для кустарника

- ▶ Нести резак для кустарника одной рукой за рукоятку управления направляющей шиной назад.

Транспортировка резака для кустарника в автомобиле

- ▶ Транспортировать резак для кустарника в прилагаемой к нему сумке.
- ▶ Закрепить сумку так, чтобы она не могла опрокинуться или сместиться.
- ▶ Если сумка не входит в комплект поставки, зафиксировать резак для кустарника так, чтобы он не мог опрокинуться или сместиться.

13.2 Транспортировка аккумулятора

- ▶ Выключить резак для кустарника и извлечь аккумулятор.
- ▶ Убедиться, что аккумулятор находится в безопасном состоянии.
- ▶ Упаковать аккумулятор в прилагаемую к нему сумку.
- ▶ Если сумка в комплекте поставки отсутствует: упаковать аккумулятор, обеспечив выполнение следующих условий.
 - Упаковка не проводит электрический ток.
 - Аккумулятор не двигается в упаковке.
- ▶ Зафиксировать упаковку так, чтобы она не двигалась.

На аккумулятор распространяются требования по транспортировке опасных грузов. Аккумулятор классифицирован как UN 3480 (литий-ионные

аккумуляторные батареи) и был проверен в соответствии с руководством ООН «Испытания и критерии», часть III, подраздел 38.3.

Предписания по транспортировке приведены на странице www.stihl.com/saftey-data-sheets.

13.3 Транспортировка зарядного устройства

- ▶ Вынуть штепсельную вилку из розетки.
- ▶ Извлечь аккумулятор.
- ▶ Смотать кабель питания и закрепить на зарядном устройстве.
- ▶ При транспортировке зарядного устройства в автомобиле
 - ▶ Транспортировать зарядное устройство в прилагаемой к нему сумке.
 - ▶ Закрепить сумку так, чтобы она не могла опрокинуться или сместиться.
 - ▶ Если сумка в комплекте поставки отсутствует: Закрепить зарядное устройство так, чтобы оно не могло опрокинуться или сместиться.

14 Хранение

14.1 Хранение резака для кустарника

- ▶ Выключить резак для кустарника и извлечь аккумулятор.
- ▶ Надеть на направляющую шину защиту цепи так, чтобы она закрывала всю шину.
- ▶ Хранить резак для кустарника так, чтобы были выполнены следующие условия.
 - Резак для кустарника недоступен для детей.
 - Резак для кустарника должен быть чистым и сухим.
 - Пильная цепь смазана.

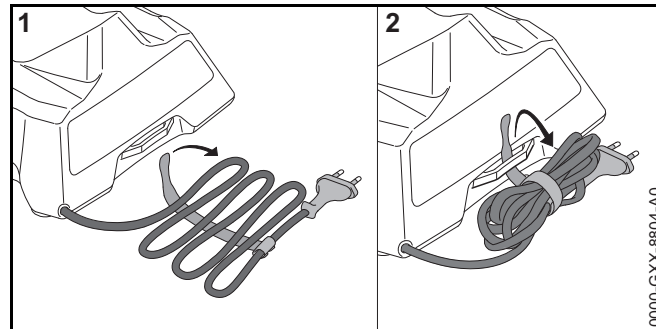
14.2 Хранение аккумулятора

Компания STIHL рекомендует хранить аккумулятор с уровнем заряда от 40 % до 60 % (светятся 2 зеленых светодиода).

- ▶ Хранить аккумулятор так, чтобы были выполнены следующие условия:
 - Аккумулятор недоступен для детей.
 - Аккумулятор чистый и сухой.
 - Аккумулятор находится в закрытом помещении.
 - Аккумулятор отсоединен от резака для кустарника и зарядного устройства.
 - Аккумулятор находится в упаковке, не проводящей электричество.
 - Температура аккумулятора составляет от - 20 °C до + 60 °C.

14.3 Хранение зарядного устройства

- ▶ Вынуть штепсельную вилку из розетки.
- ▶ Извлечь аккумулятор.



- ▶ Смотать кабель питания и закрепить на зарядном устройстве.
- ▶ Хранить зарядное устройство так, чтобы выполнялись следующие условия:
 - Зарядное устройство недоступно для детей.
 - зарядное устройство чистое и сухое.
 - Зарядное устройство находится в закрытом помещении.

- В зарядном устройстве отсутствует аккумулятор.
- Зарядное устройство не подвешено за кабель питания.
- Температура зарядного устройства составляет от - 20 °С до + 60 °С.

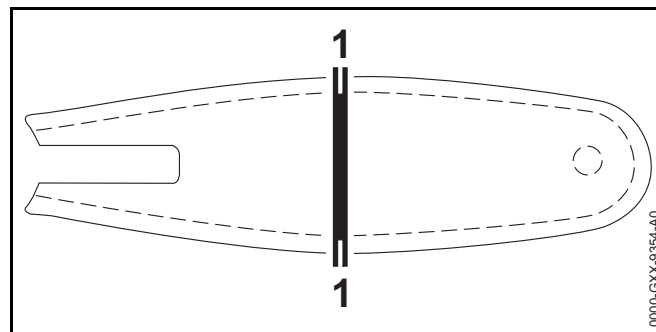
15 Очистка

15.1 Очистка резака для кустарника

- ▶ Выключить резак для кустарника и извлечь аккумулятор.
- ▶ Очистить резак для кустарника влажной ветошью или растворителем STIHL для удаления смолы.
- ▶ Снять крышку звездочки.
- ▶ Очистить поверхность вокруг звездочки влажной тряпкой или растворителем STIHL для удаления смолы.
- ▶ Удалить мусор из аккумуляторного отсека и начисто протереть отсек влажной ветошью .
- ▶ Очистить электрические контакты в аккумуляторном отсеке кистью или мягкой щеткой.
- ▶ Поставить крышку звездочки.

15.2 Очистка направляющей шины и пильной цепи

- ▶ Выключить резак для кустарника и извлечь аккумулятор.
- ▶ Снять направляющую шину и пильную цепь.



- ▶ Очистить паз (1) кистью, мягкой щеткой или растворителем STIHL для удаления смолы.
- ▶ Очистить пильную цепь кистью, мягкой щеткой или растворителем STIHL для удаления смолы.
- ▶ Монтаж направляющей шины и пильной цепи.
- ▶ Смазать пильную цепь.

15.3 Очистка аккумулятора

- ▶ Очистить аккумулятор влажной тряпкой.

15.4 Очистка зарядного устройства

- ▶ Извлечь штепсельную вилку из розетки.
- ▶ Очистить зарядное устройство влажной тряпкой.
- ▶ Очистить контакты зарядного устройства кистью или мягкой щеткой.

16 Техническое обслуживание

16.1 Заточка пильной цепи

Для правильной заточки пильной цепи требуется устойчивый навык.

Правильно заточить пильную цепь помогут таблицы "Заточка STIHL", "Вспомогательные заточные устройства STIHL", "Устройства для заточки STIHL" и

брошюра "Заточка пильных цепей STIHL". Брошюру можно найти на странице www.stihl.com/sharpening-brochure.

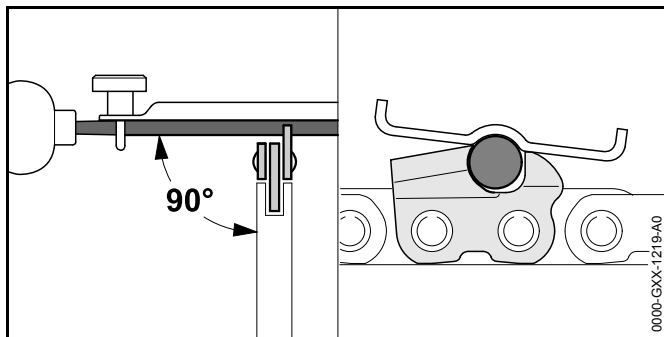
STIHL рекомендует затачивать пильные цепи у дилера STIHL.



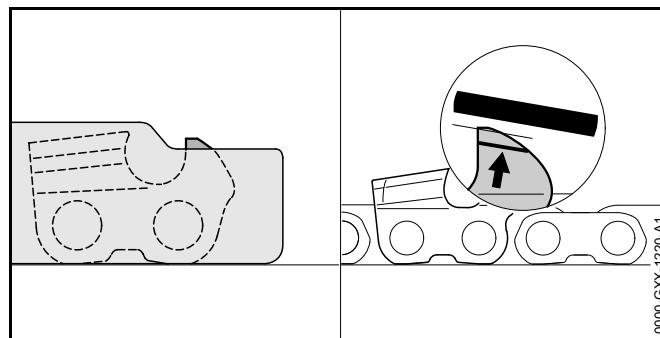
ПРЕДУПРЕЖДЕНИЕ

Режущие зубья пильной цепи острые. Пользователь может порезаться.

- ▶ Носить рабочие перчатки из прочного материала.



- ▶ Каждый режущий зуб опиливать круглым напильником так, чтобы выполнялись следующие условия:
 - Напильник соответствует шагу пильной цепи.
 - Напильник движется изнутри наружу.
 - Напильник движется под прямым углом к направляющей шине.
 - Выдерживается угол заточки 30°.



- ▶ Ограничитель глубины обрабатывать плоским напильником так, чтобы он не выступал за опилочный шаблон STIHL и был параллелен маркировке износа. Опилочный шаблон STIHL должен соответствовать шагу пильной цепи.
- ▶ В случае неясностей: Обратиться к дилеру STIHL.

17 Ремонт

17.1 Ремонт резака для кустарника, аккумулятора и зарядного устройства

Пользователь не должен самостоятельно ремонтировать резак для кустарника, направляющую шину, пильную цепь, аккумулятор и зарядное устройство.

- ▶ В случае повреждения резака для кустарника, направляющей шины или пильной цепи: не использовать резак для кустарника, направляющую шину или пильную цепь и обратиться к дилеру STIHL.
- ▶ Если аккумулятор неисправен или поврежден: заменить аккумулятор.
- ▶ Если зарядное устройство неисправно или повреждено: заменить зарядное устройство.
- ▶ Если кабель питания неисправен или поврежден: не использовать зарядное устройство и поручить замену кабеля питания дилеру STIHL.

18 Устранение неисправностей

18.1 Устранение неисправностей резака для кустарника или аккумулятора

Неисправность	Светодиоды на резаке для кустарника	Причина	Принимаемые меры
Резак для кустарника не запускается при включении.	Мигает 1 зеленый светодиод.	Слишком низкий уровень заряда аккумулятора.	▶ зарядить аккумулятор.
	Светится 1 красный светодиод.	Аккумулятор перегрелся или переохладился.	▶ Извлечь аккумулятор. ▶ Дать аккумулятору остыть или нагреться.
	Мигают 3 красных светодиода.	Неисправность в резаке для кустарника.	▶ Извлечь аккумулятор. ▶ Очистить контакты в аккумуляторном отсеке. ▶ Вставить аккумулятор. ▶ Включить резак для кустарника. ▶ Если 3 красных светодиода продолжают мигать: не использовать резак для кустарника и обратиться к дилеру STIHL.
	Светятся 3 красных светодиода.	Резак для кустарника перегрелся.	▶ Извлечь аккумулятор. ▶ Дать остыть резаку для кустарника.
	Мигают 4 красных светодиода.	Неполадки, связанные с аккумулятором.	▶ Извлечь и вставить обратно аккумулятор. ▶ Включить резак для кустарника. ▶ Если 4 красных светодиода продолжают мигать: не использовать аккумулятор и обратиться к дилеру STIHL.
		Электрическое соединение между резаком для кустарника и аккумулятором прервано.	▶ Извлечь аккумулятор. ▶ Очистить контакты в аккумуляторном отсеке. ▶ Вставить аккумулятор.
		Влага на резаке для кустарника или аккумуляторе.	▶ Просушить резак для кустарника или аккумулятор.
		Пильная цепь заедает.	▶ Извлечь аккумулятор. ▶ Очистить резак для кустарника,  15.1.

Неисправность	Светодиоды на резаке для кустарника	Причина	Принимаемые меры
Резак для кустарника выключается при работе.	Светятся 3 красных светодиода.	Резак для кустарника перегрелся.	<ul style="list-style-type: none"> ▶ Извлечь аккумулятор. ▶ Дать остыть резаку для кустарника.
		Сбой электропитания.	<ul style="list-style-type: none"> ▶ Извлечь и вставить обратно аккумулятор. ▶ Включить резак для кустарника.
Производительность резки резака для кустарника снижается.	Мигает 1 зеленый светодиод.	Слишком низкий уровень заряда аккумулятора.	▶ зарядить аккумулятор.
		Пильная цепь неправильно заточена.	▶ Заточить пильную цепь правильно.
		Пильная цепь натянута слишком сильно.	▶ Правильно натянуть пильную цепь.
		Смазка цепи недостаточна.	▶ Смазать пильную цепь.
Резак для кустарника работает в течение слишком короткого времени.		Аккумулятор заряжен не полностью.	▶ Полностью зарядить аккумулятор.
		Ресурс аккумулятора исчерпан.	▶ заменить аккумулятор.

18.2 Устранение неисправностей зарядного устройства

Неисправность	Светодиод на зарядном устройстве	Причина	Принимаемые меры
Аккумулятор не заряжается.	Горит красный светодиод.	Аккумулятор перегрелся или переохладился.	▶ Оставить аккумулятор в зарядном устройстве. Процесс зарядки начнется автоматически, как только будет достигнут диапазон допустимых температур.
	Мигает красный светодиод.	Нарушен электрический контакт между зарядным устройством и аккумулятором.	▶ Извлечь аккумулятор. ▶ Очистить электрические контакты на зарядном устройстве. ▶ Вставить аккумулятор.
		Зарядное устройство неисправно.	▶ Не использовать зарядное устройство и обратиться к дилеру STIHL.
		Неполадки, связанные с аккумулятором.	▶ не использовать аккумулятор и обратиться к дилеру STIHL.
Зарядное устройство не выполняет самотестирование.	Светодиод не горит примерно 1 секунду зеленым светом и примерно 1 секунду – красным.	Электрическое соединение было кратковременно прервано.	▶ Вынуть штепсельную вилку из розетки. ▶ Выждать 1 минуту. ▶ Вставить штепсельную розетку в розетку.

19 Технические данные

19.1 Резак для кустарника STIHL GTA 26

- Совместимый аккумулятор: STIHL AS
- Вес без аккумулятора, с направляющей шиной и пильной цепью: 1,2 кг

Время работы см. на сайте www.stihl.com/battery-life .

19.2 Цепные звездочки

Могут быть использованы следующие звездочки:

- 6-зубчатая для 1/4" P

19.3 Минимальная глубина паза направляющей шины

Минимальная глубина паза зависит от шага направляющей шины.

- 1/4" P: 4 мм

19.4 Аккумулятор STIHL AS

- Аккумуляторная технология: Литий-ионный
- Напряжение: 10,8 В
- Емкость в А·ч: см. заводскую табличку
- Энергоемкость в Вт ч: см. заводскую табличку
- Масса в кг: см. заводскую табличку
- Допустимый диапазон температур для эксплуатации и хранения: от - 20 °С до + 50 °С

Если аккумулятор используется при температурах ниже 0 °С или выше + 30 °С, возможно сокращение срока службы аккумулятора и снижение производительности резака для кустарника.

19.5 Зарядное устройство STIHL AL 1

- Номинальное напряжение: см. заводскую табличку
- Частота: см. заводскую табличку
- Номинальная мощность: см. заводскую табличку
- Зарядный ток: см. заводскую табличку
- Допустимый диапазон температур для эксплуатации и хранения: от - 20 °С до + 50 °С
- Максимальная энергоемкость разрешенного аккумулятора STIHL AS: 12,5 Ач

Продолжительность зарядки приведена на странице www.stihl.com/charging-times .

Если аккумулятор используется при температурах ниже 5 °С или выше + 30 °С, возможно увеличение продолжительности зарядки.

19.6 Удлинительные шнуры

В зависимости от напряжения и длины используемого удлинительного шнура его жилы должны иметь сечения не менее:

если на заводской табличке указано номинальное напряжение от 220 В до 240 В:

- длина шнура до 20 м: AWG 15 / 1,5 мм²
- длина шнура от 20 до 50 м: AWG 13 / 2,5 мм²

если на заводской табличке указано номинальное напряжение от 100 В до 127 В:

- длина шнура до 10 м: AWG 14 / 2,0 мм²
- длина шнура от 10 до 30 м: AWG 12 / 3,5 мм²

19.7 Уровни шума и вибрации

Показатель К для уровня звукового давления составляет 2 дБ(А). Показатель К для уровня звуковой мощности составляет 2 дБ(А). Показатель К для значения уровня вибрации составляет 2 м/с².

Компания STIHL рекомендует работать в наушниках.

- Уровень звукового давления L_{pA} согласно EN 60745-2-13: 77 дБ(A)
- Уровень звуковой мощности L_{wA} согласно EN 60745-2-13: 86 дБ(A)
- Показатель уровня вибраций a_{HV} согласно EN 60745-2-13:
 - Рукоятка управления: 2,8 м/с²
 - Место захвата: 2,9 м/с.

Указанные значения уровня вибрации были получены в соответствии с нормированной процедурой проверки и могут использоваться для сравнения электрических устройств. Фактически возникающие значения вибраций могут отклоняться от указанных, в зависимости от вида применения. Указанные значения вибраций могут использоваться для первой оценки вибрационной нагрузки. Следует оценить фактическую вибрационную нагрузку. При этом может также учитываться время, на которое электроприбор отключен, и время, на которое он был включен, но работает без нагрузки.

Данные, необходимые для соблюдения требований директивы для работодателей относительно уровня вибрации 2002/44/EC, см. www.stihl.com/vib .

19.8 REACH

REACH – это регламент ЕС для регистрации, оценки и допуска химических веществ.

Сведения для выполнения регламента REACH указаны на странице www.stihl.com/reach .

19.9 Установленный срок службы

Полный установленный срок службы – до 30 лет.

Для выработки установленного срока службы необходимы своевременное техническое обслуживание и уход согласно руководству по эксплуатации.

20 Комбинации направляющей шины и пильной цепи

20.1 Резак для кустарника STIHL GTA 26

Шаг	Толщина ведущего звена/Ширина паза	Длина	Направляющая шина	Число зубьев направляющей звездочки	Число ведущих звеньев	Пильная цепь
1/4" P	1,1 мм	10 см	Light	-	28	71 PM3 (тип 3670)

Длина реза направляющей шины зависит от используемого резака для кустарника и от используемой пильной цепи. Фактическая длина реза направляющей шины может быть меньше указанной.

21 Запасные части и принадлежности

21.1 Запасные части и принадлежности

STIHL Этими символами обозначены оригинальные запчасти и принадлежности STIHL.

STIHL рекомендует использовать оригинальные запчасти STIHL и оригинальные принадлежности STIHL.

Оригинальные запасные части STIHL и оригинальные принадлежности STIHL можно купить у дилера STIHL.

22 Утилизация

22.1 Утилизация резака для кустарника, аккумулятора и зарядного устройства

Информацию об утилизации можно получить у дилера STIHL.

- ▶ Резак для кустарника, направляющую шину, пильную цепь, аккумулятор, зарядное устройство, принадлежности и упаковку утилизировать в соответствии с предписаниями и согласно правилам защиты окружающей среды.

23 Сертификат соответствия ЕС

23.1 Резак для кустарника STIHL GTA 26

ANDREAS STIHL AG & Co. KG
Badstraße 115
D-71336 Waiblingen
Germany

заявляет под собственную ответственность, что

- устройство: аккумуляторный резак для кустарника
- заводская марка: STIHL

- тип: GTA 26
- серийный идентификационный номер: GA01

соответствует положениям директив 2011/65/EC, 2006/42/EC, 2014/30/EC и 2000/14/EC, а также разработано и изготовлено в соответствии с редакциями следующих норм, действующими на момент изготовления: EN 55014-1, EN 55014-2, EN 60745-1 и EN 62841-1.

Типовое испытание было проведено согласно директиве 2006/42/EC, ст. 12.3(б) в VDE Институте контроля и сертификации (NB 0366), Merianstraße 28, 63069 Offenbach, Германия

- Номер сертификата: 40050017

Измеренный и гарантированный уровень звуковой мощности определен согласно Директиве 2000/14/EC, приложение V.

- Измеренный уровень звуковой мощности: 88 дБ(А)
- Гарантированный уровень звуковой мощности: 90 дБ(А)

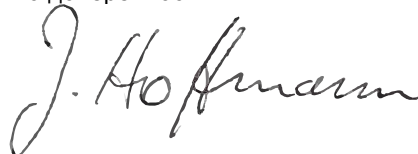
Техническая документация вместе с сертификатом допуска изделия хранится в головном офисе компании ANDREAS STIHL AG & Co. KG.

Год выпуска, страна изготовления и заводской номер указаны на резаке для кустарника.

Вайблинген, 03.02.2020

ANDREAS STIHL AG & Co. KG

По доверенности



Dr. Jürgen Hoffmann, руководитель отдела документации, норм и допусков

23.2 Декларация о соответствии для зарядного устройства STIHL AL 1

Это зарядное устройство изготовлено и введено в оборот согласно следующим директивам: 2014/35/ЕС, 2014/30/ЕС и 2011/65/ЕС.

Год выпуска, страна происхождения товара и номер изделия указаны на зарядном устройстве.

Полный текст заявления о соответствии стандартам ЕС можно получить в компании ANDREAS STIHL AG & Co. KG, Badstraße 115, 71336 Waiblingen, Deutschland.

23.3 Знаки соответствия



Сведения о сертификатах EAC и декларациях соответствия, подтверждающих выполнение технических правил и требований Таможенного союза, представлены на сайтах www.stihl.ru/eac или могут быть затребованы по телефону в соответствующем местном представительстве STIHL, 24.



Технические правила и требования для Украины выполнены.

24 Адреса

24.1 Штаб-квартира STIHL

ANDREAS STIHL AG & Co. KG
Badstrasse 115
71336 Waiblingen
Германия

24.2 Дочерние компании STIHL

В Российской Федерации:

ООО «АНДРЕАС ШТИЛЬ МАРКЕТИНГ»
ул. Тамбовская, дом 12, лит В, офис 52
192007 Санкт-Петербург

Горячая линия: +7 800 4444 180
Эл. почта: info@stihl.ru

УКРАИНА

ТОВ «Андреас Штіль»
вул. Антонова 10, с. Чайки
08135 Київська обл., Україна
Телефон: +38 044 393-35-30
Факс: +380 044 393-35-70
Гаряча лінія: +38 0800 501 930
Эл. почта: info@stihl.ua

24.3 Представительства STIHL

В Белоруссии:

Представительство
ANDREAS STIHL AG & Co. KG
ул. К. Цеткин, 51-11а
220004 Минск, Беларусь
Горячая линия: +375 17 200 23 76

В Казахстане:

Представительство
ANDREAS STIHL AG & Co. KG
ул. Шагабутдинова, 125А, оф. 2
050026 Алматы, Казахстан
Горячая линия: +7 727 225 55 17

24.4 Импортёры STIHL

В Российской Федерации:

ООО «ШТИЛЬ ЗЮДВЕСТ»
тер. отдел. №2 АФ «Солнечная», д. 7/2
350000 Краснодар, Россия

ООО «ЭТАЛОН»
лин. 5-я В.О., дом 32, лит. Б
199004 Санкт-Петербург

ООО «ПРОГРЕСС»

ул. Маленковская, д. 32, стр. 2
107113 Москва, Россия

ООО «СОФИЯ»
Московский проспект, д. 253
236006 Калининград, Россия

ООО «ИНКОР»
ул. Павла Корчагина, д. 15
610030 Киров, Россия

ООО «УРАЛТЕХНО»
ул. Карьерная, дом 2, оф. 202
620030 Екатеринбург, Россия

ООО «ТЕХНОТОРГ»
ул. Парашютная, д. 15
660121 Красноярск, Россия

ООО «ЛЕСОТЕХНИКА»
ул. Чапаева, дом 1, оф. 39
664540 с. Хомутово, Россия

УКРАИНА

ТОВ «Андреас Штіль»
вул. Антонова 10, с. Чайки
08135 Київська обл., Україна

В Белоруссии:

ООО «ПИЛАКОС»
ул. Тимирязева 121/4 офис 6
220020 Минск, Беларусь

УП «Беллесэкспорт»
ул. Скрыганова 6, 403
220073 Минск, Беларусь

В Казахстане:

ИП «ВОРОНИНА Д.И.»
пр. Райымбека 312
050005 Алматы, Казахстан

КИРГИЗИЯ

ОсОО «Муза»
ул. Киевская 107
720001 Бишкек, Киргизия

АРМЕНИЯ

ООО «ЮНИТУЛЗ»
ул. Г. Парпеци 22
0002 Ереван, Армения

25 Общие указания по технике безопасности для электроинструментов

25.1 Введение

Данный раздел содержит общие инструкции по технике безопасности, предварительно сформулированные в европейском стандарте EN/IEC 62841 для ручного моторизированного электроинструмента.

Компания STIHL обязана привести данные инструкции.

Инструкции по технике безопасности, приведенные в "Указаниях по электробезопасности" во избежание поражения электрическим током, не распространяются на аккумуляторные изделия STIHL.



ПРЕДУПРЕЖДЕНИЕ

Необходимо прочесть все инструкции по технике безопасности, указания, тексты к рисункам и технические данные, имеющиеся для данного электроинструмента. Невыполнение приведенных ниже указаний может привести к поражению электрическим током, пожару и/или тяжелым травмам. **Сохранить все инструкции и указания по технике безопасности для последующего пользования.**

Используемое в инструкциях по технике безопасности понятие "электроинструмент" относится к электроинструментам с питанием от сети (с сетевым шнуром) или к электроинструментам с питанием от аккумулятора (без сетевого шнура).

25.2 Безопасность на рабочем месте

- a) **Следует содержать свое рабочее место в чистоте и хорошо освещенным.** Беспорядок или не освещенные рабочие зоны могут привести к несчастным случаям.
- b) **Не работать с электроинструментом во взрывоопасной внешней среде, в которой находятся горючие жидкости, газы или пыль.** Электроинструменты искрят, что может привести к воспламенению пыли или паров.
- c) **При эксплуатации электроинструмента дети и иные лица не должны подходить близко.** При отвлечении внимания можно потерять контроль над устройством.

25.3 Электробезопасность

- a) **Штепсельная вилка электроинструмента должна подходить к розетке. В вилку запрещено вносить изменения. Не применять вилки-переходники в сочетании с заземленными электроинструментами.** Использование вилок, которые не подвергались изменению, и соответствующих им розеток снижают риск поражения электрическим током.
- b) **Не прикасаться к заземленным поверхностям, например, трубам, радиаторам, плитам и холодильникам.** В случае заземления тела повышается опасность поражения электрическим током.
- c) **Электроинструмент следует защищать от дождя и влаги.** Проникновение воды в электроинструмент повышает опасность поражения электрическим током.
- d) **Запрещено использовать кабель питания не по назначению, например, для ношения или подвешивания электроинструмента или для извлечения вилки из розетки. Провод беречь от высоких температур, попадания на него масла, от контакта с острыми кромками или подвижными деталями устройства.** Поврежденные или спутанные провода повышают опасность поражения электрическим током.

- e) **При выполнении работ с электроинструментом на открытом воздухе следует использовать только удлинительные кабели, предназначенные для наружных работ.** Использование удлинительного кабеля, предназначенного для наружных работ, снижает опасность поражения электрическим током.
- f) **Если эксплуатации электроинструмента во влажной среде избежать невозможно, то следует использовать дифференциальный автоматический выключатель.** Использование дифференциального автоматического выключателя снижает опасность поражения электрическим током.

25.4 Безопасность людей

- a) **Будьте внимательны, работайте с электроинструментом осмотрительно и осознанно. Не пользуйтесь электроинструментом в усталом состоянии, а также под влиянием наркотических средств, алкоголя или медикаментов.** Невнимательность при пользовании электроинструментом может привести к серьезным травмам.
- b) **Носить средства индивидуальной защиты и всегда надевать защитные очки.** Ношение средств индивидуальной защиты, например, респиратора, нескользящей защитной обуви, защитной каски и наушников в зависимости от вида и применения электроинструмента, снижает опасность получения травм.
- c) **Избегать непреднамеренного включения. Прежде чем взять электроинструмент в руки, переносить его или подсоединять к электросети и/или аккумулятору, следует убедиться, что электроинструмент выключен.** Если при ношении электроинструмента палец руки находится на выключателе или включенное устройство подсоединяется к сети электропитания, это может привести к несчастным случаям.
- d) **Перед включением электроинструмента убрать регулировочные инструменты и гаечные ключи.** Инструмент или ключ, находящийся во вращающейся части устройства, может стать причиной травмы.

- e) **Избегать неестественного положения тела. Занять устойчивое положение и постоянно сохранять равновесие.** Это позволит лучше контролировать электроинструмент в непредвиденных ситуациях.
- f) **Носить надлежащую одежду. Не носить просторную одежду или украшения. Не допускать попадания волос и одежды в подвижные элементы устройства.** Свободная одежда, украшения или длинные волосы могут попасть в подвижные части устройства.
- g) **При возможности монтажа пылеотсасывающих и пылеулавливающих устройств их следует подсоединить и использовать надлежащим образом.** Применение пылеотсасывающего устройства может снизить угрозу для здоровья, вызванную образованием пыли.
- h) **Не поддавайтесь обманчивому чувству безопасности и не пренебрегайте правилами техники безопасности при работе с электроинструментом, даже будучи хорошо знакомы с ним.** Неосторожные действия могут привести к серьезным травмам за доли секунды.

25.5 Применение и обращение с электроинструментом

- a) **Не подвергать устройство перегрузкам. Следует использовать предназначенный для данной работы электроинструмент.** Для оптимальной и безопасной работы использовать подходящий электроинструмент в указанном рабочем диапазоне.
- b) **Ни в коем случае не пользоваться электроинструментом с неисправным выключателем.** Не включающийся или не выключающийся электроинструмент опасен и подлежит ремонту.
- c) **Вынуть вилку из розетки и/или извлечь съемный аккумулятор, прежде чем выполнить регулировку, заменить комплектующие или убрать устройство.** Данные меры предосторожности предотвращают непреднамеренный запуск электроинструмента.
- d) **Хранить неиспользуемые электроинструменты в недоступном для детей месте. Не допускать к эксплуатации устройства лиц, которые не обучены**

обращению с ним либо не ознакомились с данными инструкциями. В руках неопытных пользователей электроинструменты представляют опасность.

- e) **Обеспечить тщательный уход за электроинструментами и насадками. Проверить безотказную работу подвижных деталей и отсутствие заедания, сломанных деталей и повреждений которые могут отрицательно сказаться на эксплуатационной готовности электроинструмента. Перед эксплуатацией электроинструмента следует отремонтировать поврежденные элементы.** Многие несчастные случаи являются следствием ненадлежащего технического обслуживания электроинструмента.
- f) **Режущие инструменты содержать в чистом и заточенном состоянии.** Режущие инструменты, которые прошли надлежащее техническое обслуживание и имеют остро заточенные режущие кромки, режут застревают, и их легче направлять.
- g) **Применять электроинструмент, вставные инструменты, насадки и т. п. в соответствии с настоящими инструкциями. При эксплуатации учитывать условия и вид выполняемой работы.** Использование электроинструмента не по назначению может привести к опасным ситуациям.
- h) **Содержать рукоятки и их поверхности в сухом и чистом состоянии, не допускать их загрязнения маслом и смазкой.** Скользкие рукоятки не обеспечивают безопасную работу и контроль электроинструмента в непредвиденных ситуациях.

25.6 Применение и обращение с аккумуляторным инструментом

- a) **Заряжать аккумуляторы только в зарядных устройствах, рекомендуемых изготовителем.** При использовании зарядного устройства,

предназначенного для определенного типа аккумуляторов, с другими аккумуляторами, существует опасность возгорания.

- b) **В электроинструментах разрешается применять только предназначенные для них аккумуляторы.** Использование других аккумуляторов может привести к травмам и возгоранию.
- c) **Неиспользуемые аккумуляторы следует хранить на безопасном расстоянии от скрепок, монет, ключей, гвоздей, болтов и других мелких металлических предметов, которые могут переключить контакты.** Короткое замыкание между контактами аккумулятора может привести к ожогам или возгоранию.
- d) **При неправильном использовании из аккумулятора может вытекать жидкость. Избегать контакта с жидкостью. При случайном контакте смыть водой. При попадании жидкости в глаза следует обратиться за помощью к врачу.** Вытекающая аккумуляторная жидкость может вызвать раздражение кожи и ожоги.
- e) **Не использовать поврежденные или деформированные аккумуляторы.** Поврежденные или деформированные аккумуляторы могут стать причиной нештатной ситуации и привести к возгоранию, взрыву или травмам.
- f) **Не подвергать аккумулятор воздействию огня или слишком высоких температур.** Огонь или температуры выше 130 °C (265 °F) могут привести к взрыву.
- g) **Следовать всем инструкциям по зарядке и никогда не заряжать аккумулятор или аккумуляторный инструмент при температурах, выходящих за пределы допустимого диапазона, указанного в руководстве по эксплуатации.** Неправильная зарядка или зарядка при температуре вне допустимого диапазона может разрушить аккумулятор и повысить риск возгорания.

25.7 Техническое обслуживание

- a) **Поручить ремонт электроинструмента квалифицированному специалисту, использовать для ремонта только оригинальные запасные части.** Благодаря этому обеспечивается безопасность электроинструмента.
- b) **Техническое обслуживание поврежденного аккумулятора запрещено.** Любое техническое обслуживание аккумулятора должен производить только производитель или служба поддержки клиентов.

Spis treści

1	Przedmowa	365	7.2	Napinanie łańcucha	381
2	Informacje o instrukcji użytkownika	365	7.3	Smarowanie łańcucha	382
2.1	Obowiązujące dokumenty	365	8	Podłączanie i odłączanie akumulatora	382
2.2	Ostrzeżenia w treści instrukcji	366	8.1	Wkładanie akumulatora	382
2.3	Symbole w tekście	366	8.2	Wymywanie akumulatora	383
3	Przegląd	366	9	Włączanie i wyłączanie przecinarki do drewna	383
3.1	Przecinarka do drewna, akumulator i ładowarka	366	9.1	Włączenie przecinarki	383
3.2	Symbole	367	9.2	Wyłączenie przecinarki	383
4	Wskazówki dotyczące bezpieczeństwa pracy	368	10	Kontrola przecinarki do drewna i akumulatora	383
4.1	Symbole ostrzegawcze	368	10.1	Sprawdzanie koła napędowego łańcucha	383
4.2	Użytkowanie zgodne z przeznaczeniem	368	10.2	Sprawdzanie prowadnicy	383
4.3	Wymagania wobec użytkownika	369	10.3	Kontrola łańcucha	384
4.4	Odzież i wyposażenie	369	10.4	Kontrola pokrywy	384
4.5	Stanowisko pracy i otoczenie	370	10.5	Kontrola elementów obsługowych	385
4.6	Bezpieczny stan	371	10.6	Kontrola akumulatora	385
4.7	Praca	373	11	Używanie przecinarki do drewna	385
4.8	Siły reakcji	375	11.1	Trzymanie i prowadzenie przecinarki	385
4.9	Ładowanie	375	11.2	Cięcie	385
4.10	Podłączenie do zasilania elektrycznego	375	12	Po zakończeniu pracy	386
4.11	Transport	376	12.1	Po pracy	386
4.12	Przechowywanie	377	13	Transport	386
4.13	Czyszczenie, konserwacja i naprawy	378	13.1	Transport przecinarki	386
5	Przygotowanie przecinarki do drewna do użycia	379	13.2	Transportowanie akumulatora	386
5.1	Przygotowanie przecinarki do drewna do użycia	379	13.3	Transport ładowarki	386
6	Ładowanie akumulatora i sygnalizacja diodami LED	379	14	Przechowywanie	387
6.1	Montaż ładowarki na ścianie	379	14.1	Przechowywanie przecinarki	387
6.2	Ładowanie akumulatora	379	14.2	Przechowywanie akumulatora	387
6.3	Sygnalizacja stanu naładowania	380	14.3	Przechowywanie ładowarki	387
6.4	Diody na przecinarcie	380	15	Czyszczenie	387
6.5	Dioda na ładowarce	380	15.1	Czyszczenie przecinarki	387
7	Zmontowanie przecinarki do drewna	380	15.2	Czyszczenie prowadnicy i łańcucha	388
7.1	Demontaż i montaż prowadnicy i łańcucha	380	15.3	Czyszczenie akumulatora	388
			15.4	Czyszczenie ładowarki	388



Wszystki prawa dotyczące niniejszej Instrukcji użytkownika korzystają z ochrony prawnej. Wszystkie prawa dotyczące niniejszej Instrukcji użytkownika pozostają zastrzeżone, a szczególnie prawo do powielania, tłumaczenia oraz do elektronicznego przetwarzania danych.

16 Konserwacja	388
16.1 Ostrzenie piły łańcuchowej	388
17 Naprawa	389
17.1 Naprawa przecinarki, akumulatora i ładowarki	389
18 Rozwiązywanie problemów	390
18.1 Usuwanie usterek przecinarki lub akumulatora	390
18.2 Usuwanie usterek ładowarki	391
19 Dane techniczne	392
19.1 Przecinarka do drewna STIHL GTA 26	392
19.2 Koła napędowe	392
19.3 Minimalna głębokość rowka prowadnic	392
19.4 Akumulator STIHL AS	392
19.5 Ładowarka STIHL AL 1	392
19.6 Przedłużacze	392
19.7 Poziomy hałasu i wibracji	392
19.8 REACH	393
20 Kombinacje prowadnicy i piły łańcuchowej	394
20.1 Przecinarka do drewna STIHL GTA 26	394
21 Części zamienne i akcesoria	395
21.1 Części zamienne i akcesoria	395
22 Utylizacja	395
22.1 Utylizacja przecinarki, akumulatora i ładowarki	395
23 Deklaracja zgodności UE	395
23.1 Przecinarka do drewna STIHL GTA 26	395
23.2 Informacje na temat zgodności ładowarki STIHL AL 1	396
24 Ogólne wskazówki bezpieczeństwa obowiązujące podczas pracy narzędziami z napędem elektrycznym	396
24.1 Wprowadzenie	396
24.2 Bezpieczeństwo pracy	396
24.3 Bezpieczeństwo elektryczne	396
24.4 Bezpieczeństwo ludzi	397
24.5 Stosowanie i obchodzenie się z elektronarzędziem	398
24.6 Stosowanie i obchodzenie się z narzędziem akumulatorowym	398
24.7 Serwis	399

1 Przedmowa

Drodzy Klienci!

Dziękujemy za zakup urządzenia marki STIHL. Nasze produkty projektujemy i produkujemy z zachowaniem wysokiej jakości i z uwzględnieniem potrzeb naszych klientów. W ten sposób powstają produkty o wyjątkowej niezawodności także w ekstremalnych warunkach.

STIHL wyróżnia się też wysoką jakością pod względem obsługi serwisowej. Sieć naszych autoryzowanych dealerów gwarantuje kompetentne doradztwo i szkolenia oraz kompleksową obsługę techniczną.

Dziękujemy za okazane zaufanie i życzymy zadowolenia z nabytego produktu STIHL.



Dr Nikolas Stihl

WAŻNE! ZAPOZNAĆ SIĘ PRZED UŻYCIEM I ZACHOWAĆ

2 Informacje o instrukcji użytkowania

2.1 Obowiązujące dokumenty

Zastosowanie mają lokalne przepisy dotyczące bezpieczeństwa.

- ▶ Oprócz niniejszej instrukcji użytkowania przeczytać, zrozumieć i zachować następujące dokumenty:
 - Informacje na temat oleju wielofunkcyjnego STIHL Multioil Bio: www.stihl.com/safety-data-sheets
 - Informacje dotyczące bezpieczeństwa produktów akumulatorowych STIHL i produktów ze zintegrowanym akumulatorem: www.stihl.com/safety-data-sheets

2.2 Ostrzeżenia w treści instrukcji



NIEBEZPIECZEŃSTWO

Ten piktogram oznacza bezpośrednie zagrożenie poważnym lub wręcz śmiertelnym wypadkiem.

- ▶ Oznaczone nim środki mogą zapobiec poważnemu lub śmiertelnemu wypadkowi.



OSTRZEŻENIE

Ten piktogram oznacza **możliwe** zagrożenie poważnym lub wręcz śmiertelnym wypadkiem.

- ▶ Oznaczone nim środki mogą zapobiec poważnemu lub śmiertelnemu wypadkowi.

WSKAZÓWKA

Ten piktogram oznacza potencjalne zagrożenie uszkodzami w mieniu.

- ▶ Oznaczone nim środki mogą zapobiec uszkodom w mieniu.

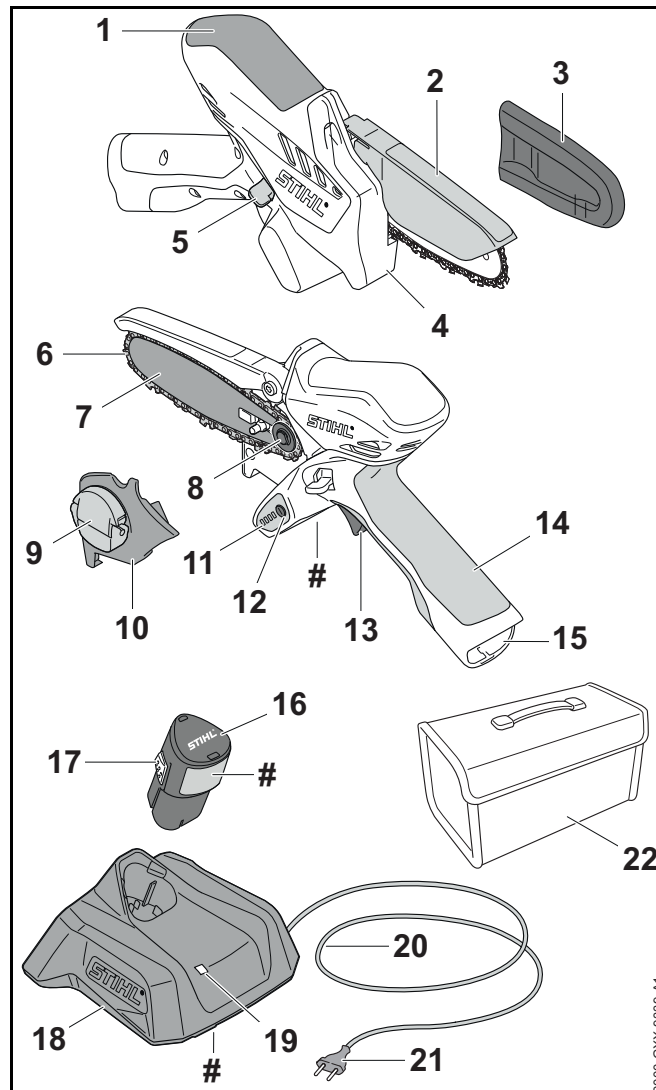
2.3 Symbole w tekście



Ten symbol odsyła do rozdziału niniejszej instrukcji obsługi.

3 Przegląd

3.1 Przecinarka do drewna, akumulator i ładowarka



1 Uchwyt

Uchwyt służy do trzymania i prowadzenia przecinarki do drewna.

2 Pokrywa ochronna

Pokrywa chroni przed kontaktem z łańcuchem.

3 Osłona łańcucha

Osłona łańcucha chroni przed kontaktem z łańcuchem pilarki.

4 Ogranicznik

Ogranicznik podczas pracy stanowi oparcie przecinarki na drewnie.

5 Dźwignia blokady

Dźwignia blokady odblokowuje dźwignię przełączającą.

6 Łańcuch piły

Łańcuch tnie drewno.

7 Prowadnica

Prowadnica prowadzi łańcuch.

8 Koło napędowe

Koło napędowe napędza łańcuch.

9 Nakrętka motylkowa

Nakrętka motylkowa mocuje pokrywę koła napędowego do przecinarki.

10 Pokrywa koła napędowego

Pokrywa koła napędowego zasłania koło napędowe i mocuje prowadnicę do przecinarki.

11 Diody LED

Diody LED sygnalizują stan naładowania akumulatora i ewentualne usterki.

12 Przycisk

Przycisk włącza diody na przecinarcie.

13 Dźwignia przełącznika

Dźwignia przełącznika służy do włączania i wyłączania przecinarki.

14 Rękojeść manipulacyjna

Rękojeść manipulacyjna służy do obsługi, trzymania i prowadzenia przecinarki.

15 Komora akumulatora

Komora ta mieści w sobie akumulator elektryczny

16 Akumulator

Akumulator służy do zasilania przecinarki.

17 Zatrzask

Zatrzask mocuje akumulator w komorze akumulatora.

18 Ładowarka

Ładowarka służy do ładowania akumulatora.

19 LED

Dioda LED sygnalizuje stan pracy ładowarki.

20 Przewód zasilający

Przewód zasilający łączy ładowarkę z wtyczką.

21 Wtyczka

Wtyczka łączy kabel zasilający z gniazdkiem elektrycznym.

22 Torba

Torba służy do transportu i przechowywania przecinarki, akumulatora i ładowarki. Torba jest dołączana wyłącznie do urządzenia w zestawie (przecinarka, akumulator i ładowarka).

Tabliczka znamionowa z numerem seryjnym**3.2 Symbole**

Symbole mogą znajdować się na przecinarcie, akumulatorze i ładowarce. Mają one następujące znaczenie:



Ten symbol pokazuje kierunek ruchu łańcucha.



Dioda zaświeci się lub miga na zielono. Akumulator ładuje się.



Dioda miga na czerwono. Brak połączenia elektrycznego między akumulatorem a ładowarką bądź uszkodzenie akumulatora lub ładowarki.



Długość prowadnicy, której można używać.



LWA Gwarantowany poziom mocy akustycznej według dyrektywy 2000/14/WE w dB(A), aby móc porównać emisję hałasu produktów.



Informacja obok symbolu informuje o ilości energii akumulatora zgodnie ze specyfikacją producenta ogniwa. Ilość energii dostępna podczas zastosowania jest mniejsza.



Elektronarzędzie używać w suchych pomieszczeniach.



Nie wyrzucać produktu do zwykłego pojemnika na śmieci.



Przeczytać instrukcję użytkowania, przestrzegać jej i zachować ją na przyszłość.

4 Wskazówki dotyczące bezpieczeństwa pracy

4.1 Symbole ostrzegawcze

Symbole ostrzegawcze na przecinarce, akumulatorze lub ładowarce mają następujące znaczenie:



Przestrzegać zasad bezpieczeństwa i środków ostrożności.



Przeczytać niniejszą instrukcję obsługi, przestrzegać jej i zachować ją na przyszłość.



Nosić okulary ochronne.



Przecinarkę trzymać mocno oburącz.



Nie dotykać poruszającego się łańcucha.



Wymywać akumulator podczas przerw w pracy, transportu, przechowywania, serwisowania lub naprawy.



Chronić przecinarkę i ładowarkę przed deszczem i wilgocią.



Chronić akumulator przed wysokimi temperaturami i ogniem.



Chronić akumulator przed deszczem i wilgocią oraz nie zanurzać go w cieczach.

4.2 Użytkowanie zgodne z przeznaczeniem

Przecinarka do drewna STIHL GTA 26 służy do cięcia drewna.

Przecinarki nie wolno używać w deszczu.

Akumulator STIHL AS służy do zasilania przecinarki.

Ładowarka STIHL AL 1 służy do ładowania akumulatora STIHL AS.

▲ OSTRZEŻENIE

- Używanie akumulatorów i ładowarek niedopuszczonych przez firmę STIHL do eksploatacji z przecinarką grozi pożarem lub wybuchem. Możliwe są poważne obrażenia ciała lub śmierć oraz znaczne straty materialne.
 - ▶ Przecinarkę stosować z akumulatorem STIHL AS.
 - ▶ Akumulator STIHL AS ładować za pomocą ładowarki STIHL AL 1.
- W razie używania przecinarki, akumulatora lub ładowarki niezgodnie z przeznaczeniem skutkiem mogą być ciężkie urazy lub śmierć albo szkody materialne.
 - ▶ Używać przecinarki, akumulatora i ładowarki wyłącznie w sposób opisany w niniejszej instrukcji obsługi.

4.3 Wymagania wobec użytkownika

▲ OSTRZEŻENIE

- Użytkownicy bez przeszkolenia nie są w stanie rozpoznać, ani tym bardziej ocenić zagrożeń powodowanych przez przecinarkę, akumulator i ładowarkę. Może dojść do poważnych obrażeń lub śmierci użytkownika i osób postronnych.



- ▶ Przeczytać instrukcję użytkownika, przestrzegać jej i zachować ją na przyszłość.

- ▶ W razie przekazania przecinarki, akumulatora lub ładowarki innej osobie: Przekazać również instrukcję użytkownika.
- ▶ Użytkownik urządzenia powinien spełniać poniższe wymagania:
 - Użytkownik powinien być wypoczęty.
 - Użytkownik musi być zdolny pod względem fizycznym, sensorycznym i umysłowym do obsługi i używania przecinarki, akumulatora i ładowarki. Jeżeli stan fizyczny lub umysłowy

ogranicza zdolności użytkownika, to powinien on wykonywać pracę jedynie pod nadzorem lub po poinstruowaniu przez odpowiedzialną osobę.

- Użytkownik jest w stanie rozpoznać i ocenić zagrożenia powodowane przez przecinarkę, akumulator i ładowarkę.
- Użytkownik jest pełnoletni lub odbywa pod nadzorem naukę zawodu zgodnie z przepisami krajowymi.
- Przed pierwszym użyciem przecinarki lub ładowarki użytkownik musi zostać przeszkolony przez autoryzowanego dealera STIHL lub specjalistę.
- Użytkownik nie znajduje się pod wpływem alkoholu, leków lub narkotyków.

- ▶ W razie wątpliwości: Skontaktuj się z dealerem marki STIHL.

4.4 Odzież i wyposażenie

▲ OSTRZEŻENIE

- Włączona przecinarka może wciągnąć długie włosy. Może to spowodować poważne obrażenia użytkownika.
 - ▶ Długie włosy należy związać i zabezpieczyć w taki sposób, aby nie sięgały ramion.
- Podczas pracy może dojść do wyrzucenia różnych przedmiotów z dużą prędkością. Może to spowodować obrażenia użytkownika.



- ▶ Nosić okulary ochronne ściśle przylegające do twarzy. Odpowiednie okulary ochronne przechodzą badania zgodnie z normą EN 166 lub z przepisami krajowymi i są dostępne w sprzedaży z odpowiednim oznaczeniem.
- ▶ Nosić długie spodnie.

- Spadające przedmioty mogą prowadzić do obrażeń głowy.
 - ▶ Jeśli podczas pracy mogą spadać przedmioty, należy nosić kask ochronny.
- Podczas pracy może wzbijać się pył. Wdychanie pyłu może spowodować dolegliwości zdrowotne i reakcje alergiczne.
 - ▶ Jeżeli wzbija się pył, nosić maskę przeciwpyłową.
- Nieodpowiednie ubranie może zaczepić się o drewno, krzaki lub przecinarkę. Użytkownicy bez odpowiedniej odzieży mogą odnieść poważne obrażenia ciała.
 - ▶ Nosić odzież przylegającą ściśle do ciała.
 - ▶ Zdjąć szalik i biżuterię.
- Podczas pracy użytkownik może zranić się o drewno. Podczas czyszczenia lub konserwacji użytkownik może dotknąć piły łańcuchowej. Może to spowodować obrażenia użytkownika.
 - ▶ Nosić rękawice robocze wykonane z wytrzymałych materiałów.
- Użytkownik noszący nieodpowiednie obuwie może się poślizgnąć. Może to spowodować obrażenia użytkownika.
 - ▶ Nosić solidne, zamknięte obuwie z podeszwami o dobrej przyczepności.

4.5 Stanowisko pracy i otoczenie

4.5.1 Przecinarka do drewna

OSTRZEŻENIE

- Osoby postronne, dzieci i zwierzęta nie są w stanie rozpoznać, ani tym bardziej prawidłowo ocenić zagrożeń powodowanych przez przecinarkę i wyrzucane przedmioty. Możliwe są poważne obrażenia tych osób, dzieci i zwierząt oraz znaczne straty materialne.
 - ▶ Osoby postronne, dzieci i zwierzęta należy trzymać z dala od obszaru pracy.
 - ▶ Nie pozostawiać przecinarki bez nadzoru.
 - ▶ Nie pozwolić dzieciom na zabawę przecinarką.

- Przecinarka nie jest wodoszczelna. W przypadku pracy w deszczu lub w wilgotnym otoczeniu może dojść do porażenia prądem elektrycznym. Użytkownik może odnieść obrażenia, a przecinarka może ulec uszkodzeniu.



- ▶ Nie wolno pracować podczas deszczu ani w miejscach mokrych.

- Elementy elektryczne przecinarki mogą wytwarzać iskry. Iskry grożą zaprószeniem ognia lub wybuchem w pobliżu substancji skrajnie łatwopalnych lub wybuchowych. Możliwe są poważne obrażenia ciała lub śmierć oraz znaczne straty materialne.
 - ▶ Nie wolno pracować z urządzeniem w miejscach skrajnie zagrożonych pożarem lub wybuchem.

4.5.2 Akumulator

OSTRZEŻENIE

- Osoby postronne, dzieci i zwierzęta nie są w stanie rozpoznać, ani tym bardziej prawidłowo ocenić zagrożeń powodowanych przez akumulator. Możliwość poważnych urazów u osób postronnych, dzieci i zwierząt.
 - ▶ Osoby postronne, dzieci i zwierzęta należy trzymać z dala od urządzenia.
 - ▶ Nie pozostawiać akumulatora bez nadzoru.
 - ▶ Nie pozwolić dzieciom na zabawę akumulatorem.
- Akumulator nie jest całkowicie odporny na wszystkie czynniki w otoczeniu. Pod wpływem niektórych zjawisk lub czynników może dojść do jego pożaru lub wybuchu. Niebezpieczeństwo poważnego wypadku oraz strat w mieniu.
 - ▶ Chronić akumulator przed wysokimi temperaturami oraz przed otwartym ogniem.
 - ▶ Nie wrzucać akumulatora do ognia.
 - ▶ Akumulator stosować i przechowywać w temperaturze od - 20°C do + 50°C.





- ▶ Chroń akumulator przed deszczem i wilgocią. Nie zanurzaj go w żadnych cieczach.

- ▶ Trzymaj akumulator z dala od metalowych przedmiotów.
- ▶ Chroń akumulator przed nadmiernie wysokim ciśnieniem.
- ▶ Nie narażaj akumulatora na działanie mikrofal.
- ▶ Chroń akumulator przed substancjami chemicznymi i solami.

4.5.3 Ładowarka

▲ OSTRZEŻENIE

- Małe dzieci nie są w stanie rozpoznać, ani tym bardziej ocenić zagrożeń powodowanych przez ładowarkę i prąd elektryczny. Możliwe są poważne obrażenia lub śmierć osób postronnych, dzieci i zwierząt.
 - ▶ Osoby postronne, dzieci i zwierzęta należy trzymać z dala od urządzenia.
- ▶ Nie pozwolić dzieciom na zabawę ładowarką.
- Ładowarka nie jest wodoszczelna. W przypadku pracy w deszczu lub w wilgotnym otoczeniu może dojść do porażenia prądem elektrycznym. Użytkownik może odnieść obrażenia, a ładowarka ulec uszkodzeniu.



- ▶ Nie wolno użytkować ładowarki w czasie deszczu ani w miejscach o wysokiej wilgotności.

- Ładowarka nie jest zabezpieczona przed wszystkimi czynnikami zewnętrznymi. Narażenie ładowarki na oddziaływanie określonych czynników zewnętrznych

może skutkować jej zapłonem lub wybuchem. Niebezpieczeństwo poważnego wypadku oraz strat w mieniu.

- ▶ Użytkować ładowarkę w zamkniętym i suchym pomieszczeniu.
- ▶ Nie użytkować ładowarki w łatwopalnym i wybuchowym otoczeniu.
- ▶ Nie użytkować ładowarki na łatwopalnym podłożu.
- ▶ Ładowarkę przechowywać i używać w temperaturze od - 20°C do + 50°C.
- Niebezpieczeństwo potknięcia się o przewód zasilający. Niebezpieczeństwo poważnego wypadku i uszkodzenia ładowarki.
 - ▶ Ułożyć przewód zasilający w taki sposób, aby nikt nie potknął się o niego.

4.6 Bezpieczny stan

4.6.1 Przecinarka do drewna

Przecinarka znajduje się w bezpiecznym stanie, jeśli są spełnione następujące warunki:


- Przecinarka nie jest uszkodzona.
- Przecinarka jest czysta i sucha.
- Pokrywa jest zamontowana.
- Pokrywa nie jest uszkodzona lub zmieniona.
- Elementy obsługowe działają i nie zostały zmienione.
- Łańcuch jest nasmarowany.
- Ślady zużycia na kole napędowym nie są głębsze niż 0,5 mm.
- Jest zamontowana jedna z kombinacji prowadnicy i łańcucha podanych w niniejszej instrukcji obsługi.
- Prowadnica i łańcuch są prawidłowo zamontowane.
- Łańcuch jest prawidłowo naprężony.
- Przecinarka jest wyposażona wyłącznie w oryginalne akcesoria STIHL.
- Akcesoria są zamontowane prawidłowo.

▲ OSTRZEŻENIE

- Jeśli urządzenie nie znajduje się w stanie bezpiecznym, jego elementy mogą działać nieprawidłowo, a zabezpieczenia zostać dezaktywowane. Może dojść do poważnych obrażeń lub śmierci.
 - ▶ Nie używać uszkodzonej przecinarki.
 - ▶ Jeżeli przecinarka jest zabrudzona lub mokra, należy ją wyczyścić i pozostawić do wyschnięcia.
 - ▶ Nie modyfikować przecinarki. Wyjątek: montaż kombinacji prowadnicy i łańcucha podanej w niniejszej instrukcji obsługi.
 - ▶ Używać przecinarki wyłącznie z zamontowaną pokrywą.
 - ▶ Jeśli pokrywa jest uszkodzona lub zmieniona, nie wolno używać przecinarki.
 - ▶ Jeśli elementy obsługowe nie działają, nie wolno używać przecinarki.
 - ▶ Montować tylko oryginalne akcesoria STIHL przeznaczone do tej przecinarki.
 - ▶ Prowadnica i łańcuch powinny być zamontowane zgodnie z opisem w niniejszej instrukcji obsługi.
 - ▶ Akcesoria montować wyłącznie w sposób opisany w niniejszej instrukcji obsługi lub w instrukcji obsługi akcesoriów.
 - ▶ Nie wkładać niczego w otwory w przecinarcie.
 - ▶ Wymienić zużyte lub uszkodzone etykiety ostrzegawcze.
 - ▶ W razie wątpliwości, skontaktować się z autoryzowanym dealerem STIHL.

4.6.2 Prowadnica

Stan prowadnicy jest bezpieczny, jeśli spełnione są następujące warunki:

- Prowadnica nie jest uszkodzona.
- Prowadnica nie jest zdeformowana.
- Rowek ma minimalną zalecaną głębokość lub jest głębszy,  19.3.

- Rowek nie jest zwężony ani rozwany.

▲ OSTRZEŻENIE

- Gdy stan prowadnicy nie jest bezpieczny, prowadnica nie będzie mogła w prawidłowy sposób kierować łańcuchem. Obracający się łańcuch może wyskoczyć z prowadnicy. Skutkiem mogą być poważne obrażenia lub śmierć osób.
 - ▶ Prowadnicę można używać, jeżeli nie jest uszkodzona.
 - ▶ Gdy głębokość rowka jest mniejsza niż minimalna zalecana głębokość: Wymienić prowadnicę.
 - ▶ W razie wątpliwości: Skontaktuj się z dealerem marki STIHL.

4.6.3 Łańcuch piły

Stan łańcucha jest bezpieczny, jeśli spełnione są następujące warunki:

- Łańcuch nie jest uszkodzony.
- Łańcuch jest prawidłowo naostrzony.
- Na zębach są widoczne znaczniki zużycia.

▲ OSTRZEŻENIE

- W stanie niespełniającym wymogów bezpieczeństwa komponenty mogą przestać działać prawidłowo, a zabezpieczenia mogą być niesprawne. Skutkiem mogą być poważne obrażenia lub śmierć osób.
 - ▶ Łańcucha można używać, jeżeli nie jest uszkodzony.
 - ▶ Prawidłowo naostrzyć łańcuch.
 - ▶ W razie wątpliwości: Skontaktuj się z dealerem marki STIHL.

4.6.4 Akumulator

Akumulator jest w dobrym stanie technicznym, gdy spełnione są następujące warunki:

- akumulator jest nieuszkodzony,
- akumulator jest czysty i suchy,
- akumulator działa i nie został zmodyfikowany.

▲ OSTRZEŻENIE

- Akumulator niebędący w dobrym stanie technicznym może nie działać bezpiecznie. Osoby mogą ulec poważnym zranieniom.
 - ▶ Pracę wykonywać przy użyciu nieuszkodzonego i działającego akumulatora.
 - ▶ Nie ładować uszkodzonego lub wadliwego akumulatora.
 - ▶ Jeżeli akumulator jest zabrudzony lub mokry, oczyścić akumulator i pozostawić do wyschnięcia.
 - ▶ Nie modyfikować akumulatora.
 - ▶ Nie umieszczać żadnych przedmiotów w otworach akumulatora.
 - ▶ Nie wolno łączyć i zwierać elektrycznych styków akumulatora za pomocą metalowych przedmiotów.
 - ▶ Nie otwierać akumulatora.
 - ▶ Wymieniać zużyte lub uszkodzone tabliczki informacyjne.
- Z uszkodzonego akumulatora może wypływać elektrolit. Jeżeli elektrolit zetknie się ze skórą lub dostanie się do oczu, może spowodować ich podrażnienie.
 - ▶ Unikać kontaktu z elektrolitem.
 - ▶ W przypadku zetknięcia się ze skórą przemyć odpowiednie fragmenty skóry dużą ilością wody z mydłem.
 - ▶ W przypadku przedostania się do oczu przepłukiwać je przynajmniej 15 minut dużą ilością wody i udać się do lekarza.
- Uszkodzony lub wadliwy akumulator może nienormalnie pachnieć, dymić lub się zapalić. Możliwość odniesienia poważnych ran przez osoby lub śmierci oraz wystąpienia szkód materialnych.
 - ▶ Jeżeli akumulator nienormalnie pachnie lub dymi, nie używać akumulatora i umieścić go z dala od substancji palnych.
 - ▶ Jeżeli akumulator się pali, spróbować ugasić go za pomocą gaśnicy lub wody.

4.6.5 Ładowarka

Ładowarka jest bezpieczna dla użytkownika i otoczenia, jeżeli:

- Nie jest uszkodzona.
- Ładowarka powinna być sucha i czysta.

▲ OSTRZEŻENIE

- W stanie niespełniającym wymogów bezpieczeństwa komponenty mogą przestać działać prawidłowo, a zabezpieczenia mogą być niesprawne. Skutkiem mogą być poważne obrażenia lub śmierć osób.
 - ▶ Używać nieuszkodzonej ładowarki.
 - ▶ Jeśli ładowarka jest zabrudzona lub mokra: Wyczyścić i osuszyć ładowarkę.
 - ▶ Nie modyfikować ładowarki.
 - ▶ Nie wkładać żadnych przedmiotów w otwory ładowarki.
 - ▶ Nie łączyć i nie zwierać styków elektrycznych ładowarki z metalowymi przedmiotami.
 - ▶ Nie otwierać ładowarki.

4.7 Praca

▲ OSTRZEŻENIE

- Jeżeli poza stanowiskiem pracy nie ma żadnych osób w zasięgu głosu, w sytuacjach zagrożenia nie będzie nikogo, kto udzieli pomocy.
 - ▶ Osoby poza stanowiskiem pracy muszą znajdować się w zasięgu głosu.
- W niektórych warunkach użytkownik nie jest w stanie pracować dłużej w skupieniu. Użytkownik może stracić kontrolę nad przecinarką, potknąć się, przewrócić i doznać poważnych obrażeń.
 - ▶ Pracuj w spokoju i metodycznie.
 - ▶ Nie pracuj przy słabym świetle i kiepskiej widoczności. Nie używać przecinarki.
 - ▶ Przecinarkę obsługiwać w pojedynkę.

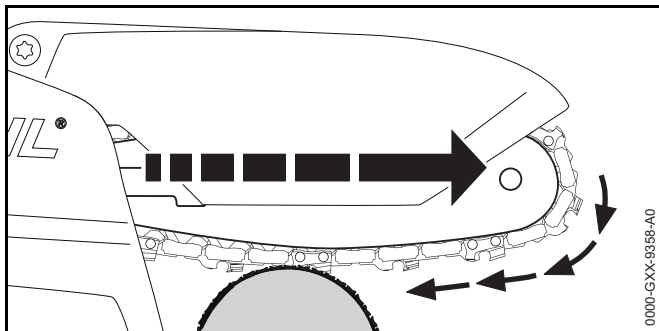
- ▶ Nie wolno pracować z urządzeniem powyżej barków.
- ▶ Uważaj na przeszkody.
- ▶ Pracuj poruszając się po ziemi i dbaj o równowagę ciała. W razie pracy na wysokości: Używać podestu roboczego lub bezpiecznego rusztowania.
- ▶ W razie wystąpienia oznak zmęczenia: Zrobić przerwę w pracy.
- Obracający się łańcuch może zranić użytkownika. Niebezpieczeństwo poważnego wypadku.
 - ▶ Nie dotykać obracającego się łańcucha.
 - ▶ Jeśli łańcuch piły jest zablokowany przez przedmiot: Wyłączyć przecinarkę i wyjąć akumulator. Dopiero wtedy można usunąć przedmiot.
- Obracający się łańcuch piły nagrzewa się i rozszerza. Jeśli łańcuch nie będzie odpowiednio smarowany i naprężony, może zeskoczyć z prowadnicy lub zerwać się. Niebezpieczeństwo poważnego wypadku oraz strat w mieniu.
 - ▶ Stosować olej wielofunkcyjny STIHL Multioil Bio lub równorzędny biodegradowalny olej wielofunkcyjny.
 - ▶ Podczas pracy smarować łańcuch po każdym naładowaniu akumulatora.
 - ▶ Podczas pracy regularnie kontrolować naprężenie łańcucha. Jeśli naprężenie jest zbyt małe: Naprężyć łańcuch.
- Podczas pracy prowadnica, łańcuch i koło napędowe mogą się nagrzewać. Użytkownik może się poparzyć.
 - ▶ Nie dotykać gorącej prowadnicy, łańcucha i koła napędowego.
 - ▶ Poczekać do schłodzenia się prowadnicy, łańcucha i koła napędowego.
 - ▶ Pracować w rękawicach roboczych wykonanych z wytrzymałych materiałów.
- Jeśli przecinarka zacznie działać podczas pracy w sposób zmieniony lub nietypowy, może znajdować się w niebezpiecznym stanie. Niebezpieczeństwo poważnego wypadku oraz strat w mieniu.
 - ▶ Zakończyć pracę. Wyciągnąć akumulator i skontaktować się z dealerem firmy STIHL.
- Podczas pracy przecinarka może powodować drgania.
 - ▶ Nosić rękawice.
 - ▶ Rób przerwy podczas pracy.
 - ▶ W przypadku wystąpienia objawów zaburzenia krążenia: Udać się do lekarza.
- Jeśli obracający się łańcuch trafi na twardy przedmiot, mogą powstać iskry. Iskry mogą wywołać pożar w przypadku łatwopalnych materiałów w otoczeniu. Możliwe są poważne obrażenia ciała lub śmierć oraz znaczne straty materialne.
 - ▶ Nie wolno pracować w otoczeniu z łatwopalnymi materiałami.
- Gdy dźwignia przełącznika zostanie zwolniona, łańcuch przez krótki czas dalej obraca się. Poruszający się łańcuch piły może spowodować skaleczenia. Skutkiem mogą być poważne obrażenia.
 - ▶ Należy odczekać do momentu, kiedy łańcuch przestanie się obracać.

▲ NIEBEZPIECZEŃSTWO

- W przypadku pracy w pobliżu przewodów znajdujących się pod napięciem łańcuch może dotknąć przewodów i spowodować ich uszkodzenie. Niebezpieczeństwo poważnego lub śmiertelnego wypadku.
 - ▶ Nie pracować w otoczeniu przewodów znajdujących się pod napięciem.

4.8 Siły reakcji

4.8.1 Siły reakcji



Podczas cięcia dolną stroną prowadnicy przecinarka jest ciągnięta od użytkownika.

⚠ OSTRZEŻENIE

- Jeśli obracający się łańcuch natrafi na twardy przedmiot i zatrzyma się gwałtownie, przecinarka może zostać odrzucona od użytkownika. Osoby są narażone na obrażenia.
 - ▶ Przecinarkę trzymać mocno oburącz.
 - ▶ Pracować wyłącznie w sposób opisany w niniejszej instrukcji użytkownika.
 - ▶ Pracować z założoną pokrywą.
 - ▶ Pracować z nieuszkodzoną i niezmodyfikowaną pokrywą.
 - ▶ Pracować za pomocą dobrze naostrzonego i napiętego łańcucha.
 - ▶ Nie skręcać prowadnicy w rzazie.
 - ▶ Prawidłowo nakładać ogranicznik.
 - ▶ Kosić na pełnych obrotach.

4.9 Ładowanie

⚠ OSTRZEŻENIE

- Uszkodzona lub wadliwa ładowarka może wydzielać dziwny zapach lub dymić podczas pracy. Niebezpieczeństwo odniesienia obrażeń oraz strat w mieniu.
 - ▶ Wyjąć wtyczkę z gniazda sieciowego.
- Jeżeli włączona ładowarka nie może odprowadzać wytwarzanego ciepła, może przegrzać się, co grozi pożarem. Możliwe są poważne obrażenia ciała lub śmierć oraz znaczne straty materialne.
 - ▶ Nie zakrywać obudowy ładowarki.

4.10 Podłączenie do zasilania elektrycznego

Niebezpieczeństwo dotknięcia obwodów pod napięciem elektrycznym występuje gdy:

- Przewód zasilający lub przedłużacz są uszkodzone.
- Wtyczka przewodu zasilającego lub przedłużacza jest uszkodzona.
- Gniazdko nie jest prawidłowo zainstalowane.


⚠ NIEBEZPIECZEŃSTWO

- Dotknięcie obwodu pod napięciem grozi porażeniem prądem elektrycznym. Niebezpieczeństwo poważnego lub śmiertelnego wypadku.
 - ▶ Sprawdzić, czy przewód zasilający i wtyczka zasilania sieciowego nie są uszkodzone.



W przypadku uszkodzenia przewodu zasilającego lub przedłużacza:

- ▶ Nie dotykać uszkodzonego miejsca.
- ▶ Wyciągnąć wtyczkę z gniazdka.
- ▶ Przewodu zasilającego, przedłużacza i wtyczek dotykać suchymi rękami.
- ▶ Wtyczkę przewodu zasilającego lub przedłużacza podłączyć do zainstalowanego i zabezpieczonego prawidłowo gniazdka ze stykiem ochronnym.

- ▶ Podłączyć ładowarkę przez wyłącznik różnicowo-prądowy (30 mA, 30 ms).
- Uszkodzony lub nieodpowiedni przedłużacz może prowadzić do porażenia prądem. Skutkiem mogą być poważne obrażenia lub śmierć osób.
 - ▶ Używać przedłużacza o prawidłowym przekroju przewodu,  19.6.

OSTRZEŻENIE

- Nieprawidłowe napięcie lub częstotliwość w sieci elektrycznej grożą przepięciem podłączonej ładowarki. Może dojść do jej uszkodzenia.
 - ▶ Upewnić się, że wartość napięcia i częstotliwości zasilania z sieci elektrycznej odpowiadają danym znamionowym podanym na ładowarce.
- Nieprawidłowo ułożony przewód zasilający i przedłużacz mogą ulec uszkodzeniu oraz grożą potknięciem. Może dojść do obrażeń u ludzi oraz uszkodzenia przewodu zasilającego lub przedłużacza.
 - ▶ Przewód zasilający i zasilacz ułożyć i oznakować w taki sposób, aby nie powodowały ryzyka potknięcia.
 - ▶ Przewód zasilający i przedłużacz układać w taki sposób, aby nie były naprężone lub splątane.
 - ▶ Przewód zasilający i przedłużacz układać w taki sposób, aby nie doszło do ich uszkodzenia, zagięcia, przygniecenia lub ocierania.
 - ▶ Przewód zasilający i przedłużacz chronić przed wysoką temperaturą, olejem i chemikaliami.
 - ▶ Przewód zasilający i przedłużacz układać na suchym podłożu.
- Przedłużacz nagrzewa się w trakcie pracy. W przypadku braku możliwości odprowadzenia ciepła może ono prowadzić do pożaru.
 - ▶ W razie używania bębna kablowego: Całkowicie odwinąć bęben.
- Jeżeli w ścianie przebiegają przewody elektryczne i rury, mogą one ulec uszkodzeniu w przypadku montażu ładowarki na ścianie. Kontakt z przewodami elektrycznymi

grozi porażeniem prądem elektrycznym. Niebezpieczeństwo poważnego wypadku oraz strat w mieniu.

- ▶ Sprawdzić, czy w przewidzianym do pracy miejscu nie ma w ścianach przewodów elektrycznych i rur.
- Jeżeli ładowarka nie jest zamontowana na ścianie w sposób opisany w instrukcji użytkownika, może ona lub akumulator wypaść lub też ładowarka może się mocno nagrzewać. Niebezpieczeństwo odniesienia obrażeń oraz strat w mieniu.
 - ▶ Ładowarkę montować na ścianie w sposób opisany w instrukcji użytkownika.
- Podczas montażu ładowarki z włożonym akumulatorem na ścianie akumulator może wypaść z ładowarki. Niebezpieczeństwo odniesienia obrażeń oraz strat w mieniu.
 - ▶ W pierwszej kolejności zamontować ładowarkę na ścianie, a dopiero potem włożyć akumulator.

4.11 Transport

4.11.1 Przecinarka do drewna

OSTRZEŻENIE

- Przecinarka może się przewrócić lub przesunąć podczas transportu. Niebezpieczeństwo odniesienia obrażeń oraz strat w mieniu.



- ▶ Wyciągnąć akumulator.
- ▶ Osłonę łańcucha wsunąć na prowadnicę w taki sposób, aby przykryła całą prowadnicę.
- ▶ Przecinarkę transportować w dołączonej torbie.
- ▶ W przypadku braku dołączonej torby: Przecinarkę zabezpieczyć pasami mocującymi lub siatką w taki sposób, aby nie mogła się przewrócić ani przesunąć.

4.11.2 Akumulator

▲ OSTRZEŻENIE

- Akumulator nie jest całkowicie odporny na wszystkie czynniki w otoczeniu. Jeśli akumulator jest narażony na określone warunki otoczenia, może ulec uszkodzeniu i mogą powstać szkody materialne.
 - ▶ Nie przewoź akumulatora, jeśli jest uszkodzony.
 - ▶ Akumulator transportować w dołączonej torbie.
 - ▶ W przypadku braku dołączonej torby: Transportować akumulator w opakowaniu nieprzewodzącym prądu.
- Akumulator może przewrócić się lub przesuwać podczas przewozu pojazdem. Niebezpieczeństwo odniesienia obrażeń oraz strat w mieniu.
 - ▶ Zapakować akumulator w odpowiedni pojemnik transportowy lub inne opakowanie, w którym nie będzie się przesuwał.
 - ▶ Opakowanie należy tak zabezpieczyć, aby nie mogło się przemieszczać.

4.11.3 Ładowarka

▲ OSTRZEŻENIE

- Ładowarka może przewrócić się lub przesuwać podczas przewozu pojazdem. Niebezpieczeństwo odniesienia obrażeń oraz strat w mieniu.
 - ▶ Wyciągnąć wtyczkę z gniazdka.
 - ▶ Wyciągnąć akumulator.
 - ▶ Ładowarkę transportować w dołączonej torbie.
 - ▶ W przypadku braku dołączonej torby: Przymocować ładowarkę pasami mocującymi lub siatką w taki sposób, aby nie mogła się przewrócić ani przesunąć.
- Przewód zasilający nie jest przeznaczony do przenoszenia ładowarki. Przewód zasilający i ładowarka mogą ulec uszkodzeniu.
 - ▶ Zwinać przewód zasilania i zamocować go na ładowarce.

4.12 Przechowywanie

4.12.1 Przecinarka do drewna

▲ OSTRZEŻENIE

- Dzieci nie są w stanie rozpoznać ani ocenić zagrożeń powodowanych przez przecinarkę. Skutkiem mogą być poważne obrażenia.



- ▶ Wyciągnąć akumulator.

- ▶ Osłonę łańcucha wsunąć na prowadnicę w taki sposób, aby przykryła całą prowadnicę.
- ▶ Przecinarkę przechowywać w miejscu niedostępnym dla dzieci.
- Styki elektryczne w przecinarkie oraz elementy metalowe mogą zardzewieć pod wpływem wilgoci. Przecinarka może ulec uszkodzeniu.



- ▶ Wyciągnąć akumulator.

- ▶ Przechowywać przecinarkę w miejscu suchym i czystym.

4.12.2 Akumulator

▲ OSTRZEŻENIE

- Małe dzieci nie potrafią rozpoznawać, ani tym bardziej ocenić zagrożeń powodowanych przez akumulator. Skutkiem mogą być poważne obrażenia.
 - ▶ Przechowuj akumulator z dala od dzieci.
- Akumulator nie jest całkowicie odporny na wszystkie czynniki w otoczeniu. Może ulec uszkodzeniu pod wpływem niektórych zjawisk lub czynników.
 - ▶ Przechowuj akumulator w miejscu suchym i czystym.
 - ▶ Przechowuj akumulator w pomieszczeniu zamkniętym.

- ▶ Podczas przechowywania akumulator nie powinien być podłączony do przecinarki ani do ładowarki.
- ▶ Akumulator przechowywać w nieprzewodzącym opakowaniu.
- ▶ Akumulator przechowywać w temperaturze od - 20°C do + 70°C.

4.12.3 Ładowarka

⚠ OSTRZEŻENIE

- Dzieci nie są zdolne do rozpoznawania i oceny zagrożeń stwarzanych przez ładowarkę. Niebezpieczeństwo poważnego wypadku lub śmierci dziecka.
 - ▶ Wyciągnąć akumulator.
 - ▶ Ładowarkę przechowywać w miejscu niedostępnym dla dzieci.
- Ładowarka nie jest zabezpieczona przed wszystkimi czynnikami zewnętrznymi. Narażenie ładowarki na oddziaływanie określonych czynników zewnętrznych może skutkować jej uszkodzeniem.
 - ▶ Wyciągnąć akumulator.
 - ▶ Jeśli ładowarka jest ciepła: Poczekać do schłodzenia ładowarki.
 - ▶ Przechowywać ładowarkę w miejscu suchym i czystym.
 - ▶ Przechowywać ładowarkę w pomieszczeniu zamkniętym.
 - ▶ Ładowarkę przechowywać w temperaturze od - 20°C do + 70°C.
- Przewód zasilający nie jest przeznaczony do przeniesienia lub zawieszania ładowarki. Przewód zasilający i ładowarka mogą ulec uszkodzeniu.
 - ▶ Chwycić ładowarkę za obudowę i przytrzymać. W ładowarce znajduje się wnęka ułatwiająca jej podnoszenie.
 - ▶ Zawiesić ładowarkę na uchwycie ściennym.

4.13 Czyszczenie, konserwacja i naprawy

⚠ OSTRZEŻENIE

- Przed przystąpieniem do czyszczenia, konserwacji lub naprawy wyjąć akumulator z przecinarki, aby jej przypadkowo nie włączyć. Niebezpieczeństwo poważnego wypadku oraz strat w mieniu.



- ▶ Wyciągnąć akumulator.

- Czyszczenie agresywnymi środkami, strumieniem wody lub ostrymi przedmiotami może spowodować zniszczenie przecinarki, prowadnicy, łańcucha, akumulatora i ładowarki. Należy czyścić przecinarkę, prowadnicę, łańcuch, akumulator lub ładowarkę w odpowiedni sposób. W przeciwnym razie podzespoły mogą przestać działać prawidłowo, a ich zabezpieczenia mogą stać się niesprawne. Skutkiem mogą być poważne obrażenia.
 - ▶ Czyścić przecinarkę, prowadnicę, łańcuch, akumulator i ładowarkę w sposób opisany w niniejszej instrukcji.
- Należy konserwować lub naprawiać przecinarkę, prowadnicę, łańcuch, akumulator i ładowarkę w odpowiedni sposób. W przeciwnym razie podzespoły mogą przestać działać prawidłowo, a ich zabezpieczenia mogą stać się niesprawne. Skutkiem mogą być poważne obrażenia lub śmierć osób.
 - ▶ Nie konserwować i nie naprawiać samodzielnie przecinarki, akumulatora i ładowarki.
 - ▶ Jeśli przecinarka, akumulator lub ładowarka wymagają przeglądu lub naprawy: Skontaktuj się z dealerem marki STIHL.
 - ▶ Prowadnica i łańcuch powinny być konserwowane i naprawiane zgodnie z opisem w instrukcji użytkownika.
- Podczas czyszczenia lub konserwacji łańcucha użytkownik może skaleczyć się o ostre zęby tnące. Niebezpieczeństwo zranienia.
 - ▶ Pracować w rękawicach roboczych wykonanych z wytrzymałych materiałów.

5 Przygotowanie przecinarki do drewna do użycia

5.1 Przygotowanie przecinarki do drewna do użycia

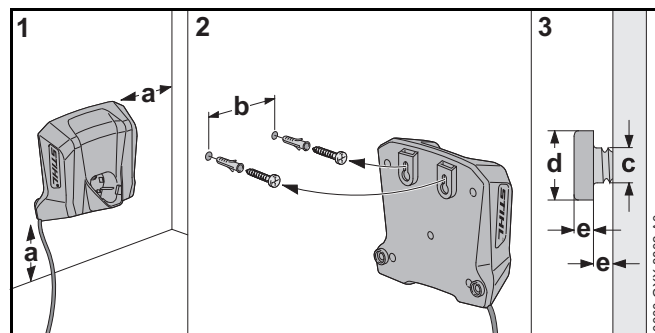
Przed każdym rozpoczęciem pracy wykonać poniższe czynności:

- ▶ Sprawdzić, czy następujące urządzenia gwarantują bezpieczną pracę:
 - Przecinarka, 4.6.1.
 - Prowadnica, 4.6.2.
 - Łańcuch piły, 4.6.3.
 - Akumulator, 4.6.4.
 - Ładowarka, 4.6.5.
- ▶ Sprawdzić akumulator, 10.6.
- ▶ Naładować do pełna akumulator, 6.2.
- ▶ Wyczyścić przecinarkę, 15.1.
- ▶ Zamontować prowadnicę i łańcuch, 7.1.1.
- ▶ Naprężyć łańcuch, 7.2.
- ▶ Nasmarować łańcuch, 7.3.
- ▶ Sprawdzić elementy obsługowe, 10.5.
 - ▶ Jeśli podczas kontroli elementów obsługowych będą migać na czerwono 3 diody: Wyciągnąć akumulator i skontaktować się z autoryzowanym dealerem STIHL. W przecinarcie wystąpiła usterka.
- ▶ Jeśli nie można wykonać opisanych czynności: Nie używać przecinarki i skontaktować się z autoryzowanym dealerem STIHL.

6 Ładowanie akumulatora i sygnalizacja diodami LED

6.1 Montaż ładowarki na ścianie

Ładowarkę można zamontować na ścianie.



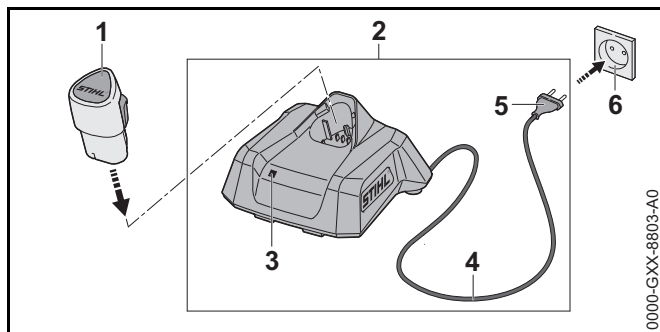
- ▶ Zamontować ładowarkę do ściany w taki sposób, aby zapewnić następujące kryteria:
 - Do przytwierdzenia należy użyć odpowiednich materiałów mocujących.
 - Ładowarka musi być wypoziomowana.
 - Konieczne jest zachowanie następujących wymiarów:
 - a = min. 100 mm
 - b = 54 mm
 - c = 4,5 mm
 - d = 9 mm
 - e = 2,5 mm

6.2 Ładowanie akumulatora

Czas ładowania jest zależny od różnych czynników, np. od temperatury akumulatora lub temperatury otoczenia. Faktyczny czas ładowania może różnić się od podanego dla urządzenia. Czas ładowania jest podany pod adresem www.stihl.com/charging-times.

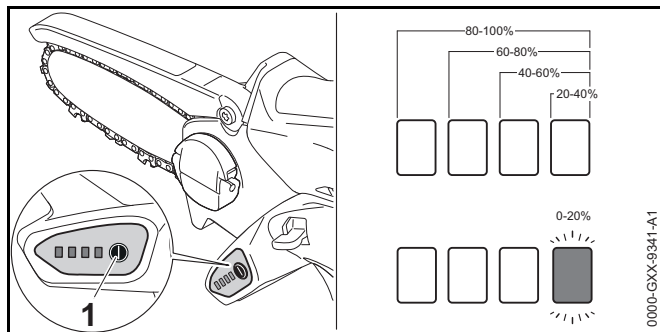
Operacja ładowania uruchamia się automatycznie, jeżeli wtyczka zasilająca jest włożona do gniazdka elektrycznego, a akumulator włożony jest do ładowarki. Ładowarka wyłączy się automatycznie po naładowaniu akumulatora.

Ładowarka i akumulator nagrzewają się podczas ładowania.



- ▶ Podłączyć wtyczkę (5) do łatwo dostępnego gniazdka elektrycznego (6). Ładowarka (2) wykona autotest. Dioda (3) zaświeci na ok. 1 sekundę na zielono, a następnie na ok. 1 sekundę na czerwono.
- ▶ Ułożyć przewód zasilający (4).
- ▶ Włożyć akumulator (1) w prowadnice ładowarki (2) i wcisnąć do oporu. Dioda (3) zaświeci się lub zacznie migać na zielono. Rozpocznie się ładowanie akumulatora (2).
- ▶ Gdy dioda (3) zgaśnie: Akumulator (1) jest całkowicie naładowany i można go wyjąć z ładowarki (2).
- ▶ Jeśli ładowarka (2) nie będzie już używana: Wyciągnąć wtyczkę (5) z gniazdka (6).

6.3 Sygnalizacja stanu naładowania



- ▶ Włożyć akumulator.

- ▶ Nacisnąć przycisk (1). Diody zaświecą się na ok. 5 sekund na zielono i zasygnalizują stan naładowania akumulatora.
- ▶ Jeżeli prawa dioda miga na zielono, należy naładować akumulator.

6.4 Diody na przecinarce

Diody mogą sygnalizować stan naładowania lub awarię akumulatora. Diody mogą świecić lub migać zielonym lub czerwonym światłem.

Jeżeli diody świecą się lub migają na zielono, informują o stanie naładowania.

- ▶ Jeżeli diody świecą się lub migają na czerwono: Usunąć usterki, 18. W przecinarce lub akumulatorze wystąpiła usterka.

6.5 Dioda na ładowarce

Dioda sygnalizuje stan ładowarki oraz usterki. Dioda może świecić się lub migać na zielono lub czerwono.

Jeżeli dioda świeci się lub miga na zielono, trwa ładowanie akumulatora.

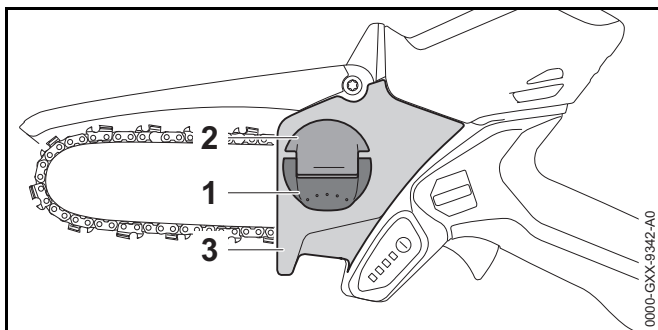
- ▶ Jeżeli dioda świeci się lub miga na czerwono: Usunąć usterki, 18. W ładowarce lub akumulatorze wystąpiła usterka.

7 Zmontowanie przecinarki do drewna

7.1 Demontaż i montaż prowadnicy i łańcucha

7.1.1 Demontaż prowadnicy i łańcucha

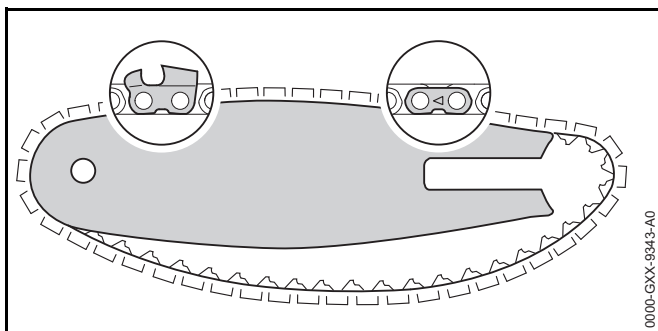
- ▶ Wyłączyć przecinarkę i wyjąć akumulator.



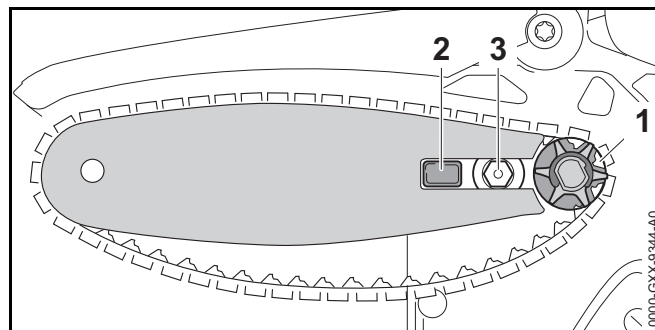
- ▶ Rozłożyć uchwyt (1) nakrętki skrzydełkowej (2).
- ▶ Nakrętkę motylkową (2) obracać w lewo, aż będzie można zdjąć pokrywę koła napędowego (3).
- ▶ Zdjąć pokrywę koła napędowego (3).
- ▶ Zdjąć prowadnicę i łańcuch.

7.1.2 Montaż prowadnicy i łańcucha

Kombinacje prowadnicy i łańcucha, które pasują do koła napędowego i mogą zostać zamontowane, są podane w danych technicznych. 📖 20.1.



- ▶ Włożyć łańcuch do rowka prowadnicy w taki sposób, aby strzałka na ogniwach łańcucha na górnej stronie była skierowana w kierunku obrotu.



- ▶ Nałożyć prowadnicę i łańcuch na przecinarkę w taki sposób, aby spełnione były następujące warunki:
 - Ogniwia napędowe łańcucha znajdują się w zębach koła napędowego (1).
 - Trzpień (2) znajduje się w otworze podłużnym prowadnicy.
 - Śruba kołnierkowa (3) znajduje się w otworze podłużnym prowadnicy.

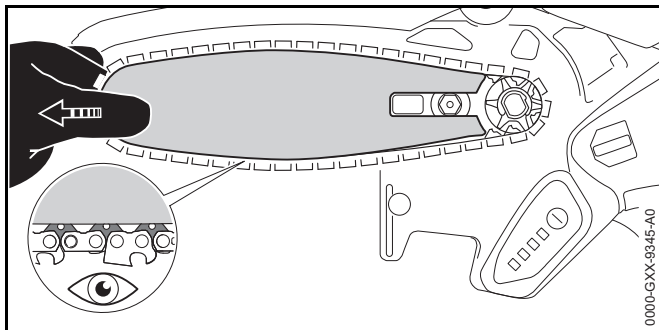
Orientacja prowadnicy nie ma znaczenia. Nadruk na prowadnicy może być do góry nogami.

- ▶ Naprężyć łańcuch.
- ▶ Założyć pokrywę koła napędowego, aby ściśle przylegała do przecinarki.
- ▶ Nakrętkę motylkową obracać w prawo, aż pokrywa koła napędowego będzie zamocowana dobrze na przecinarcie.
- ▶ Złożyć uchwyt nakrętki motylkowej.

7.2 Napinanie łańcucha

Podczas pracy łańcuch rozciąga się lub napina. Naprężenie łańcucha ulega zmianie. Podczas pracy należy regularnie sprawdzać i korygować naprężenie łańcucha.

- ▶ Wyłączyć przecinarkę i wyjąć akumulator.



- ▶ Rozłożyć uchwyt nakrętki motylkowej.
- ▶ Nakrętkę motylkową odkręcić o 2 obroty w lewo. Nakrętka motylkowa jest poluzowana.



OSTRZEŻENIE

Zęby tnące łańcucha są naostrzone. Użytkownik może się przeciąć.

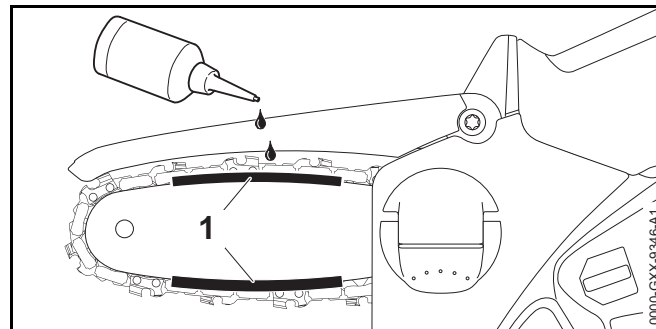
- ▶ Pracować w rękawicach roboczych wykonanych z wytrzymałych materiałów.
- ▶ Prowadnicę przesuwając w lewo lub prawo, aż będzie spełniony następujący warunek:
 - Ogniwa napędowe łańcucha są widoczne do połowy od spodu prowadnicy.
- ▶ Nakrętkę motylkową obracać w prawo, aż pokrywa koła napędowego będzie zamocowana dobrze na przecinarce.
- ▶ Jeśli łańcuch można dwoma palcami z użyciem niewielkiej siły przeciągnąć jeszcze po prowadnicy: Łańcuch jest prawidłowo naciągnięty.
- ▶ Jeśli ogniwa napędowe łańcucha są widoczne w całości od spodu prowadnicy: Naprężyć łańcuch.
- ▶ Złożyć uchwyt nakrętki motylkowej.

7.3 Smarowanie łańcucha

Olej wielofunkcyjny STIHL Multioil Bio lub równorzędny olej biodegradowalny zapewnia smarowanie i chłodzenie łańcucha pilarki.

- ▶ Wyłączyć przecinarkę i wyjąć akumulator.

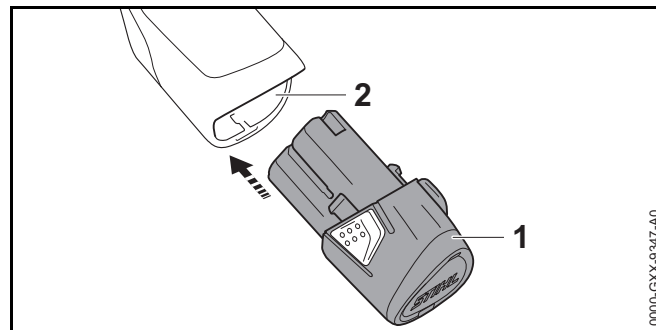
- ▶ Położyć przecinarkę na płaskiej powierzchni pokrywą koła napędowego do góry.
- ▶ Prowadnicę i łańcuch wyczyścić pędzelkiem, miękką szczotką lub środkiem do usuwania żywicy STIHL.



- ▶ W miejscu (1) między prowadnicą a łańcuchem nałożyć olej wielofunkcyjny.
- ▶ Włożyć akumulator.
- ▶ Włączyć przecinarkę. Olej wielofunkcyjny zostanie rozprowadzony po łańcuchu. Łańcuch jest nasmarowany.

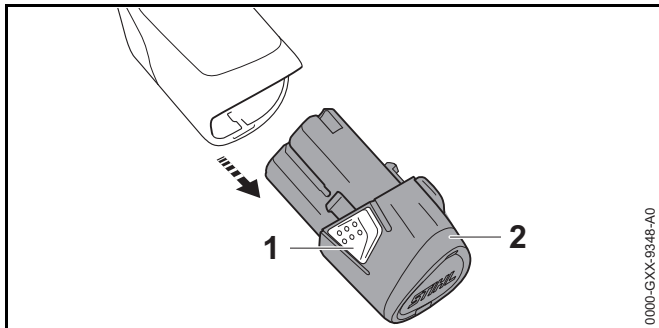
8 Podłączanie i odłączanie akumulatora

8.1 Wkładanie akumulatora



- ▶ Włożyć akumulator (1) do oporu do komory (2). Akumulator (1) zablokuje się ze słyszalnym kliknięciem.

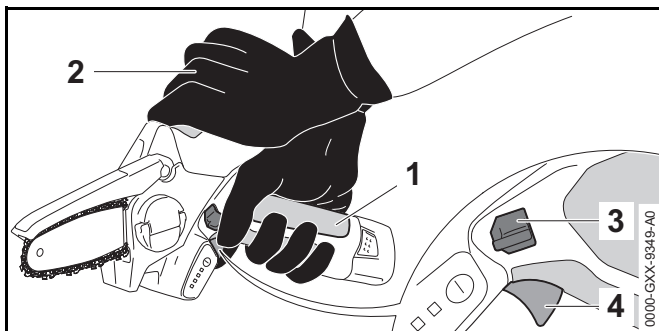
8.2 Wymowanie akumulatora



- ▶ Wcisnąć oba zatrzaski (1). Akumulator (2) jest odblokowany i można go wyjąć.

9 Włączanie i wyłączanie przecinarki do drewna

9.1 Włączenie przecinarki



- ▶ Chwycić przecinarkę jedną ręką za uchwyt manipulacyjny (1) w tak sposób, aby kciuk obejmował uchwyt.
- ▶ Drugą ręką chwycić przecinarkę za uchwyt (2).
- ▶ Nacisnąć i przytrzymać kciukiem dźwignię blokady (3).
- ▶ Wcisnąć palcem wskazującym dźwignię przełącznika (4) i przytrzymać ją. Przecinarka przyspieszy i łańcuch obraca się. Można puścić dźwignię blokady (3).

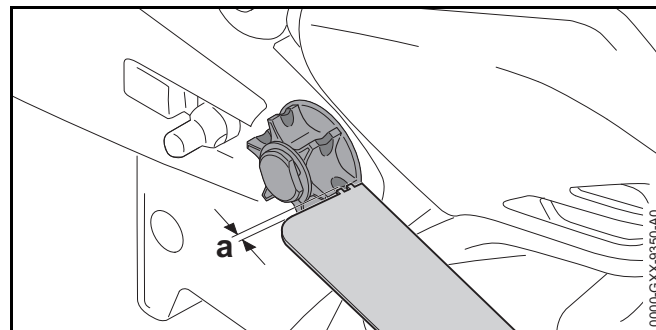
9.2 Wyłączenie przecinarki

- ▶ Zwolnić dźwignię przełącznika. Łańcuch nie obraca się.
- ▶ Jeśli łańcuch obraca się dalej: Wyciągnąć akumulator i skontaktować się z autoryzowanym dealerem STIHL. Przecinarka jest uszkodzona.

10 Kontrola przecinarki do drewna i akumulatora

10.1 Sprawdzanie koła napędowego łańcucha

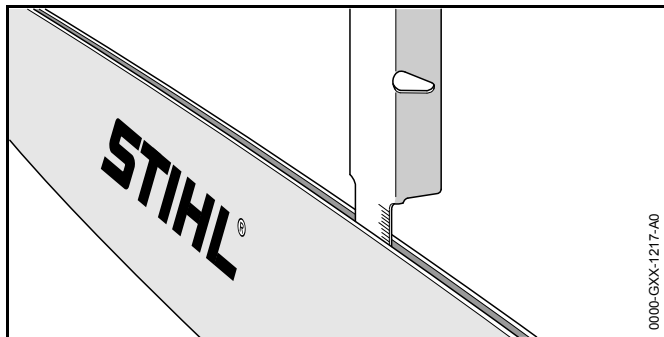
- ▶ Wyłączyć przecinarkę i wyjąć akumulator.
- ▶ Zdemontować pokrywę koła napędowego łańcucha.
- ▶ Zdemontować prowadnicę i łańcuch.



- ▶ Sprawdzić ślady zużycia na kole napędowym za pomocą przymiaru kontrolnego STIHL.
- ▶ Jeśli ślady zużycia są głębsze niż $a = 0,5$ mm: Nie używać przecinarki i skontaktować się z autoryzowanym dealerem STIHL. Koło napędowe musi zostać wymienione.

10.2 Sprawdzanie prowadnicy

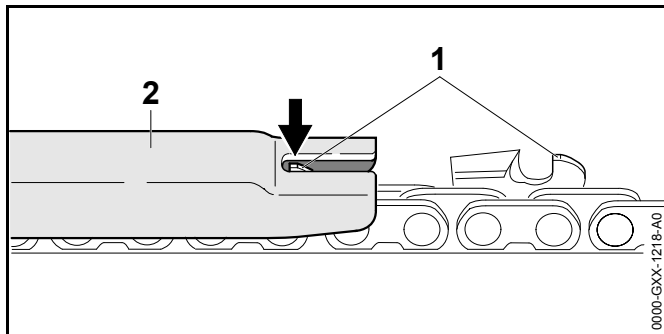
- ▶ Wyłączyć przecinarkę i wyjąć akumulator.
- ▶ Zdemontować łańcuch i prowadnicę.



- ▶ Zmierzyć głębokość rowka prowadnicy za pomocą miary przymiaru do ostrzenia STIHL.
- ▶ Wymienić prowadnicę, jeśli spełnione są następujące warunki:
 - Prowadnica jest uszkodzona.
 - Zmierzona głębokość rowka jest mniejsza niż minimalna głębokość rowka prowadnicy, 19.3.
 - Rowek prowadnicy jest zwężony lub rozwany.
- ▶ W razie wątpliwości: Skontaktuj się z dealerem marki STIHL.

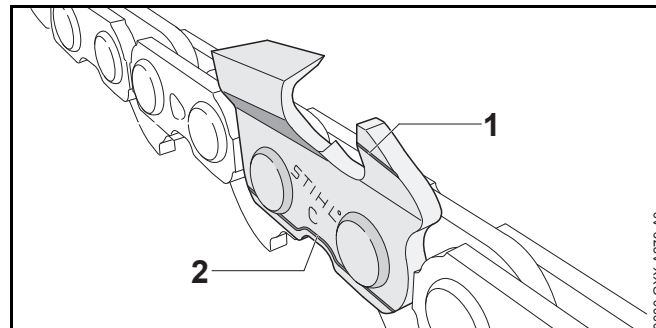
10.3 Kontrola łańcucha

- ▶ Wyłączyć przecinarkę i wyjąć akumulator.



- ▶ Zmierzyć ogranicznik zagłębienia (1) za pomocą przymiaru do ostrzenia STIHL (2). Przymiar do ostrzenia STIHL musi pasować do podziałki łańcucha.

- ▶ Jeśli ogranicznik zagłębienia (1) wystaje poza przymiar do ostrzenia (2): Zeszlifować ogranicznik głębokości (1) pilnikiem, 16.1.



- ▶ Sprawdzić, czy są widoczne oznaczniki zużycia (1 i 2) na zębach tnących.
- ▶ Gdy jeden z oznaczników zużycia na zębie tnącym nie jest widoczny: Nie używać łańcucha i skontaktować się z autoryzowanym dealerem STIHL.
- ▶ Sprawdzić przymiarem do ostrzenia STIHL, czy zachowany jest kąt ostrzenia zębów tnących 30°. Przymiar do ostrzenia STIHL musi pasować do podziałki łańcucha.
- ▶ Jeśli kąt ostrzenia nie wynosi 30°: Naostrzyć łańcuch piły.
- ▶ W razie wątpliwości: Skontaktuj się z dealerem marki STIHL.

10.4 Kontrola pokrywy

- ▶ Wyciągnąć akumulator.

! OSTRZEŻENIE

Zęby tnące łańcucha są naostrzone. Użytkownik może się przeciąć.

- ▶ Pracować w rękawicach roboczych wykonanych z wytrzymałych materiałów.
- ▶ Otworzyć pokrywę do góry i puścić. Pokrywa powróci samoczynnie do pierwotnej pozycji.

- ▶ Jeśli pokrywa porusza się z trudem i nie powróci do pozycji pierwotnej: Nie używać przecinarki i skontaktować się z autoryzowanym dealerem STIHL. Pokrywa jest uszkodzona.

10.5 Kontrola elementów obsługowych

Dźwignia blokady i dźwignia przełącznika

- ▶ Wyciągnąć akumulator.
- ▶ Spróbować nacisnąć dźwignię przełącznika bez naciskania dźwigni blokady.
- ▶ Jeśli można nacisnąć dźwignię przełącznika: Skontaktuj się z dealerem marki STIHL. Dźwignia blokady jest uszkodzona.
- ▶ Nacisnąć i przytrzymać dźwignię blokady.
- ▶ Nacisnąć i puścić dźwignię przełącznika.
- ▶ Jeśli dźwignia przełącznika porusza się z trudem lub nie powróci do pozycji wyjściowej: Nie używać przecinarki i skontaktować się z autoryzowanym dealerem STIHL. Dźwignia przełącznika jest uszkodzona.

Włączenie przecinarki

- ▶ Włożyć akumulator.
- ▶ Nacisnąć i przytrzymać dźwignię blokady.
- ▶ Nacisnąć i przytrzymać dźwignię przełącznika. Łańcuch obraca się.
- ▶ Jeśli 3 diody migają na czerwono: Wyciągnąć akumulator i skontaktować się z autoryzowanym dealerem STIHL. W przecinarcie wystąpiła usterka.
- ▶ Zwolnić dźwignię przełącznika. Łańcuch nie obraca się.
- ▶ Jeśli łańcuch obraca się dalej: Wyciągnąć akumulator i skontaktować się z autoryzowanym dealerem STIHL. Przecinarka jest uszkodzona.

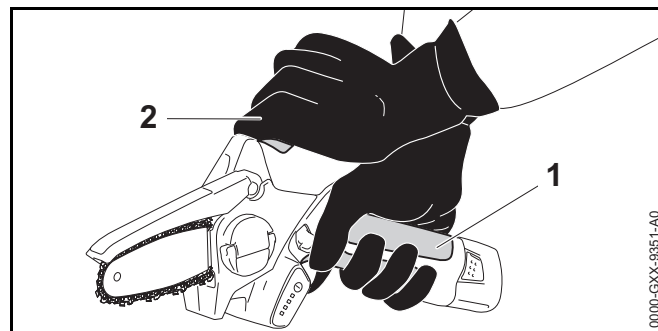
10.6 Kontrola akumulatora

- ▶ Włożyć akumulator.
- ▶ Nacisnąć przycisk przecinarki. Diody zaświecą się lub zaczną migać.

- ▶ Jeżeli diody nie świecą się lub nie migają: Nie używać przecinarki i akumulatora oraz skontaktować się z autoryzowanym dealerem STIHL. W przecinarcie lub akumulatorze wystąpiła usterka.

11 Używanie przecinarki do drewna

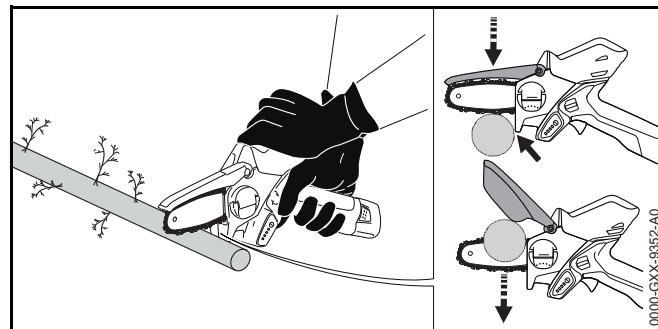
11.1 Trzymanie i prowadzenie przecinarki



- ▶ Chwycić i prowadzić przecinarkę jedną ręką za uchwyt manipulacyjny (1) w tak sposób, aby kciuk obejmował uchwyt.
- ▶ Drugą ręką chwycić przecinarkę za uchwyt (2).

11.2 Cięcie

- ▶ Prowadnicę należy wprowadzać do rządu na pełnych obrotach.



- ▶ Nałożyć ogranicznik i używać go jako punkt obrotu.
- ▶ Poprowadzić prowadnicę przez drewno.
- ▶ Na końcu rzazu amortyzować masę przecinarki.
- ▶ Gałęzie przecinać pojedynczo.

12 Po zakończeniu pracy

12.1 Po pracy

- ▶ Wyłączyć przecinarkę i wyjąć akumulator.
- ▶ Jeśli przecinarka jest mokra: Począkać do wyschnięcia przecinarki.
- ▶ Jeśli akumulator jest mokry: Poczekać do wyschnięcia akumulatora.
- ▶ Wyczyścić przecinarkę.
- ▶ Wyczyścić prowadnicę i łańcuch.
- ▶ Osłonę łańcucha wsunąć na prowadnicę w taki sposób, aby przykryła całą prowadnicę.
- ▶ Wyczyścić akumulator.

13 Transport

13.1 Transport przecinarki

- ▶ Wyłączyć przecinarkę i wyjąć akumulator.
- ▶ Osłonę łańcucha wsunąć na prowadnicę w taki sposób, aby przykryła całą prowadnicę.

Przenoszenie przecinarki

- ▶ Przecinarkę przenosić jedną ręką za rękojeść manipulacyjną w taki sposób, aby prowadnica była skierowana w dół.

Transport przecinarki samochodem

- ▶ Przecinarkę transportować w dołączonej torbie.
- ▶ Zabezpieczyć torbę przed przewróceniem i przesunięciem.

- ▶ W razie nieposiadania torby, zabezpieczyć przecinarkę w taki sposób, aby nie mogła się przewrócić ani przesunąć.

13.2 Transportowanie akumulatora

- ▶ Wyłączyć przecinarkę i wyjąć akumulator.
- ▶ Sprawdzić, czy akumulator nie stwarza zagrożenia.
- ▶ Akumulator włożyć do dołączonej torby.
- ▶ W razie braku torby: Zapakować akumulator w następujący sposób:
 - Opakowanie nie przewodzi prądu elektrycznego.
 - Akumulator nie może ruszać się w opakowaniu.
- ▶ Opakowanie należy tak zabezpieczyć, aby nie mogło się przemieszczać.

Akumulator podlega wymogom dotyczącym transportu towarów niebezpiecznych. Akumulator jest sklasyfikowany w kategorii UN 3480 (akumulatory i baterie litowo-jonowe) i został sprawdzony zgodnie z podręcznikiem UN Badania i kryteria część III, podrozdział 38.3.

Przepisy transportowe podano pod adresem: www.stihl.com/safety-data-sheets .

13.3 Transport ładowarki

- ▶ Wyciągnąć wtyczkę z gniazdka.
- ▶ Wyciągnąć akumulator.
- ▶ Zwinąć przewód zasilania i zamocować go na ładowarce.
- ▶ Jeśli ładowarka jest transportowana samochodem:
 - ▶ Ładowarkę transportować w dołączonej torbie.
 - ▶ Zabezpieczyć torbę przed przewróceniem i przesunięciem.
 - ▶ W przypadku braku dołączonej torby: Zabezpieczyć ładowarkę w taki sposób, aby nie mogła się przewrócić lub przesunąć.

14 Przechowywanie

14.1 Przechowywanie przecinarki

- ▶ Wyłączyć przecinarkę i wyjąć akumulator.
- ▶ Osłonę łańcucha wsunąć na prowadnicę w taki sposób, aby przykryła całą prowadnicę.
- ▶ Przecinarkę przechowywać w taki sposób, aby były spełnione następujące warunki:
 - Przecinarka znajduje się w miejscu niedostępnym dla dzieci.
 - Przecinarka jest czysta i sucha.
 - Łańcuch jest nasmarowany.

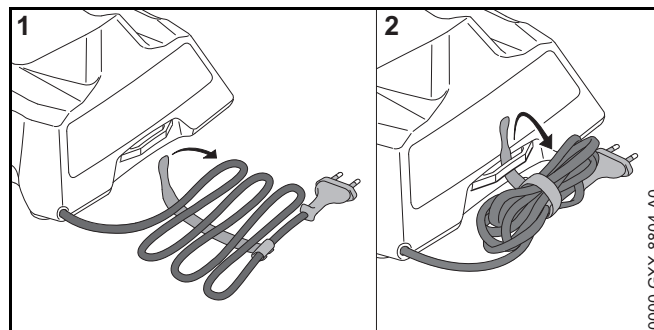
14.2 Przechowywanie akumulatora

STIHL zaleca przechowywanie akumulatora w stanie naładowania pomiędzy 40 % i 60 % (2 świeczące na zielono diody LED).

- ▶ Przechowuj akumulator w poniższy sposób:
 - Akumulator przechowywać w miejscu niedostępnym dla dzieci.
 - Akumulator musi być czysty i suchy.
 - Akumulator przechowywać w zamkniętym pomieszczeniu.
 - Akumulator musi być odłączony od przecinarki i ładowarki.
 - Akumulator musi znajdować się w nieprzewodzącym opakowaniu.
 - Temperatura akumulatora wynosi od - 20°C do + 60°C.

14.3 Przechowywanie ładowarki

- ▶ Wyciągnąć wtyczkę z gniazdka.
- ▶ Wyciągnąć akumulator.



- ▶ Zwinąć przewód zasilania i zamocować go na ładowarce.
- ▶ Ładowarkę przechowywać w poniższy sposób:
 - Ładowarkę przechowywać w miejscu niedostępnym dla dzieci.
 - Ładowarka powinna być sucha i czysta.
 - Przechowywać ładowarkę w pomieszczeniu zamkniętym.
 - Ładowarka powinna być odłączona od akumulatora.
 - Nie zawieszать ładowarki na przewodzie zasilającym.
 - Przechowywać ładowarkę w temperaturze od - 20°C do + 60°C.

15 Czyszczenie

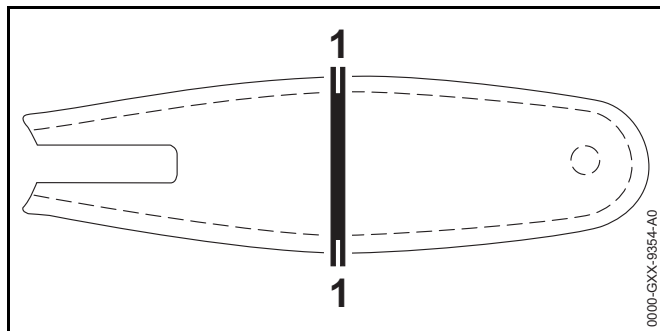
15.1 Czyszczenie przecinarki

- ▶ Wyłączyć przecinarkę i wyjąć akumulator.
- ▶ Przecinarkę wyczyścić wilgotną szmatką lub środkiem do usuwania żywicy STIHL.
- ▶ Zdemontować pokrywę koła napędowego łańcucha.
- ▶ Obszar wokół koła napędowego oczyścić za pomocą wilgotnej szmatki lub środkiem do usuwania żywicy STIHL.
- ▶ Usunąć brud z komory akumulatora i wyczyścić ją wilgotną ściereką.
- ▶ Wyczyścić styki elektryczne w komorze akumulatora za pomocą pędzla malarskiego lub miękkiej szczotki.

- ▶ Zamontować pokrywę koła napędowego łańcucha.

15.2 Czyszczenie prowadnicy i łańcucha

- ▶ Wyłączyć przecinarkę i wyjąć akumulator.
- ▶ Zdemontować prowadnicę i łańcuch.



- ▶ Rowek (1) wyczyścić pędzelkiem, miękką szczotką lub środkiem do usuwania żywicy STIHL.
- ▶ Łańcuch przeczyszczyć pędzelkiem, miękką szczotką lub środkiem do usuwania żywicy STIHL.
- ▶ Zamontować prowadnicę i łańcuch.
- ▶ Nasmarować łańcuch.

15.3 Czyszczenie akumulatora

- ▶ Wyczyścić akumulator wycierając go wilgotną ścierką.

15.4 Czyszczenie ładowarki

- ▶ Wyjąć wtyczkę z gniazda sieciowego.
- ▶ Wyczyścić ładowarkę wycierając ją wilgotną ścierką.
- ▶ Wyczyścić styki elektryczne ładowarki za pomocą pędzla malarskiego lub miękkiej szczotki.

16 Konserwacja

16.1 Ostrzenie piły łańcuchowej

Prawidłowe ostrzenie łańcucha wymaga dużego doświadczenia.

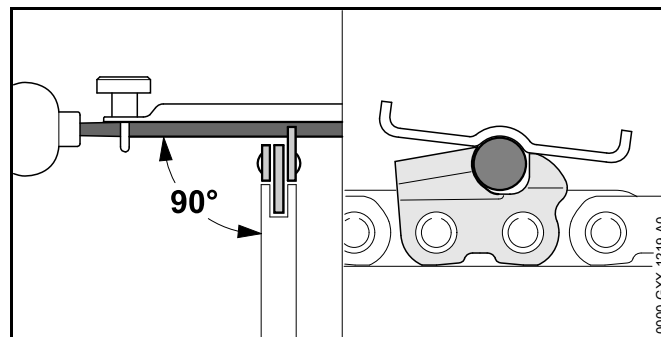
Pomocne w prawidłowym ostrzeniu są: pilniki marki STIHL, pomoce do piłowania marki STIHL, ostrzarki marki STIHL i broszura "Ostrzenie łańcuchów marki STIHL". Broszura jest dostępna pod adresem: www.stihl.com/sharpening-brochure.

Firma STIHL zaleca, aby zlecać ostrzenie łańcuchów autoryzowanym dealerom marki STIHL.

! OSTRZEŻENIE

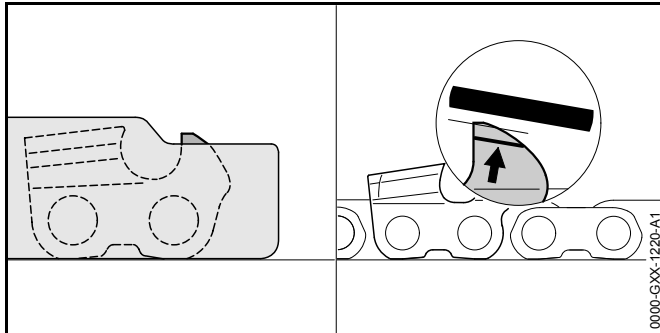
Zęby tnące łańcucha są naostrzone. Użytkownik może się przeciąć.

- ▶ Pracować w rękawicach roboczych wykonanych z wytrzymałych materiałów.



- ▶ Każdy ząb tnący pilnować za pomocą okrągłego pilnika w taki sposób, aby spełnione były następujące warunki:
 - Okrągły pilnik pasuje do podziałki łańcucha.
 - Okrągły pilnik jest prowadzony od wewnątrz na zewnątrz.
 - Okrągły pilnik jest prowadzony pod dobrym kątem w stosunku do prowadnicy.

- Kąt ostrzenia musi wynosić 30°.



- ▶ Ogranicznik zagłębiania ostrzyć za pomocą płaskiego pilnika w taki sposób, aby przylegał do przymiaru do ostrzenia marki STIHL i był ustawiony równolegle do śladów zużycia. Przymiar do ostrzenia STIHL musi pasować do podziałki łańcucha.
- ▶ W razie wątpliwości: Skontaktuj się z dealerem marki STIHL.

17 Naprawa


17.1 Naprawa przecinarki, akumulatora i ładowarki

Użytkownik nie może samodzielnie naprawiać przecinarki, prowadnicy, łańcucha, akumulatora i ładowarki.

- ▶ Jeśli przecinarka, prowadnica lub łańcuch są uszkodzone: Nie używać przecinarki, prowadnicy i łańcucha oraz skontaktować się z autoryzowanym dealerem STIHL.
- ▶ Jeżeli akumulator jest uszkodzony: Wymiana akumulatora.
- ▶ Jeżeli ładowarka jest niesprawna lub uszkodzona: Wymienić ładowarkę.
- ▶ W przypadku uszkodzenia przewodu zasilającego: Nie używać ładowarki i zlecić dealerowi STIHL wymianę przewodu zasilającego.

18 Rozwiązywanie problemów

18.1 Usuwanie usterek przecinarki lub akumulatora

Usterka	Diody na przecinarcie	Przyczyna	Pomoc
Przecinarka nie uruchamia się po włączeniu.	1 dioda miga na zielono.	Akumulator jest niemal rozładowany.	▶ Naładować akumulator.
	1 dioda świeci się na czerwono.	Akumulator jest za ciepły lub za zimny.	▶ Wyciągnąć akumulator. ▶ Zaczekać, aż akumulator ostygnie / nagrzej się.
	3 diody migają na czerwono.	W przecinarcie wystąpiła usterka.	▶ Wyciągnąć akumulator. ▶ Wyczyścić styki elektryczne w komorze akumulatora. ▶ Włożyć akumulator. ▶ Włączyć przecinarkę. ▶ Jeśli 3 diody nadal migają na czerwono: Nie używać przecinarki i skontaktować się z autoryzowanym dealerem STIHL.
	3 diody świecą się na czerwono.	Przecinarka jest zbyt ciepła.	▶ Wyciągnąć akumulator. ▶ Poczeekać do schłodzenia przecinarki.
	4 diody migają na czerwono.	Akumulator jest niesprawny.	▶ Wyjąć akumulator i włożyć go ponownie ▶ Włączyć przecinarkę. ▶ Jeśli 4 diody nadal migają na czerwono: Nie używać akumulatora i skontaktować się z autoryzowanym dealerem STIHL.
		Przerwane połączenie elektryczne między przecinarką a akumulatorem.	▶ Wyciągnąć akumulator. ▶ Wyczyścić styki elektryczne w komorze akumulatora. ▶ Włożyć akumulator.
		Przecinarka lub akumulator są wilgotne.	▶ Poczeekać do wyschnięcia przecinarki lub akumulatora.
		Łańcuch jest zablokowany.	▶ Wyciągnąć akumulator. ▶ Wyczyścić przecinarkę,  15.1.
Przecinarka wyłącza się podczas pracy.	3 diody świecą się na czerwono.	Przecinarka jest zbyt ciepła.	▶ Wyciągnąć akumulator. ▶ Poczeekać do schłodzenia przecinarki.

Usterka	Diody na przecinارce	Przyczyna	Pomoc
		Usterka elektryczna.	<ul style="list-style-type: none"> ▶ Wyjąć akumulator i włożyć go ponownie ▶ Włączyć przecinarkę.
Prędkość cięcia przecinarki zmniejsza się.	1 dioda miga na zielono.	Akumulator jest niemal rozładowany.	▶ Naładować akumulator.
		Łańcuch jest nieprawidłowo naostrzony.	▶ Prawidłowo naostrzyć łańcuch.
		Łańcuch jest naciągnięty za mocno.	▶ Prawidłowo naciągnąć łańcuch.
		Nasmarowanie łańcucha jest niewystarczające.	▶ Nasmarować łańcuch.
Przecinarka pracuje za krótko na akumulatorze.		Akumulator nie jest wystarczająco naładowany.	▶ Akumulator jest w pełni naładowany.
		Akumulator osiągnął kres trwałości użytkowej.	▶ Wymiana akumulatora.

18.2 Usuwanie usterek ładowarki

Usterka	Dioda na ładowarce	Przyczyna	Pomoc
Akumulator nie jest ładowany.	Diody świeci się na czerwono.	Akumulator jest za ciepły lub za zimny.	▶ Zostaw akumulator w ładowarce. Ładowanie rozpocznie się automatycznie, gdy urządzenia osiągną prawidłową temperaturę.
	Diody miga na czerwono.	Przerwa między stykami elektrycznymi ładowarki i akumulatora.	<ul style="list-style-type: none"> ▶ Wyciągnąć akumulator. ▶ Oczyszczyć styki elektryczne w ładowarce. ▶ Włożyć akumulator.
		W ładowarce występuje usterka.	▶ Nie używać ładowarki i skontaktować się z dealerem STIHL.
		Akumulator jest niesprawny.	▶ Nie używać akumulatora i skontaktować się z autoryzowanym dealerem STIHL.
Ładowarka nie wykonuje autotestu.	Diody nie zaświeci na ok. 1 sekundę na zielono, a następnie na ok. 1 sekundę na czerwono.	Połączenie elektryczne z ładowarką zostało przez chwilę przerwane.	<ul style="list-style-type: none"> ▶ Wyciągnąć wtyczkę z gniazdka. ▶ Odczekać 1 minutę. ▶ Podłączyć wtyczkę do gniazdka.

19 Dane techniczne

19.1 Przecinarka do drewna STIHL GTA 26

- Dozwolony akumulator: STIHL AS
- Masa bez akumulatora, z prowadnicą i łańcuchem: 1,2 kg

Czas pracy jest podany na stronie www.stihl.com/battery-life

19.2 Koła napędowe

Można stosować następujące koła napędowe:

- 6-zębowe do 1/4" P

19.3 Minimalna głębokość rowka prowadnic

Minimalna głębokość rowka zależy od podziałki prowadnicy.

- 1/4" P: 4 mm

19.4 Akumulator STIHL AS

- Technologia akumulatorowa: litowo-jonowa
- Napięcie: 10,8 V
- Pojemność w Ah: patrz tabliczka znamionowa
- Pojemność w Wh: patrz tabliczka znamionowa
- Ciężar w kg: patrz tabliczka znamionowa
- Dozwolony zakres temperatury stosowania i przechowywania: - 20°C do + 50°C

Jeśli akumulator będzie używany w temperaturze poniżej 0°C lub powyżej +30°C, czas pracy akumulatora może się skrócić, a moc przecinarki zmniejszyć.

19.5 Ładowarka STIHL AL 1

- Napięcie znamionowe: patrz tabliczka znamionowa
- Częstotliwość: patrz tabliczka znamionowa

- Moc znamionowa: patrz tabliczka znamionowa
- Prąd ładowania: patrz tabliczka znamionowa
- Dozwolony zakres temperatury stosowania i przechowywania: od - 20°C do + 50°C
- Maksymalna pojemność dozwolonego akumulatora STIHL AS: 12,5 Ah

Czasy ładowania podano pod adresem: www.stihl.com/charging-times .

Jeśli ładowarka będzie używana w temperaturze niższej niż + 5°C lub wyższej niż + 30°C, czas ładowania może się wydłużyć.

19.6 Przedłużacze

W przypadku korzystania z przedłużacza przekrój ich żył w zależności od napięcia i długości przedłużacza musi wynosić:

Jeśli napięcie znamionowe na tabliczce znamionowej wynosi 220 V do 240 V:

- Długość kabla do 20 m: AWG 15 / 1,5 mm²
- Długość kabla 20 m do 50 m: AWG 13 / 2,5 mm²

Jeśli napięcie znamionowe na tabliczce znamionowej wynosi 100 V do 127 V:

- Długość kabla do 10 m: AWG 14 / 2,0 mm²
- Długość kabla 10 m do 30 m: AWG 12 / 3,5 mm²

19.7 Poziomy hałas i wibracji

Wartość korekcji poziomu ciśnienia akustycznego wynosi 2 dB(A). Wartość korekcji poziomu mocy akustycznej wynosi 2 dB(A). Wartość korekcji poziomu drgań wynosi 2 m/s².

Firma STIHL zaleca stosowanie ochrony słuchu.

- Poziom ciśnienia akustycznego L_{pA} zmierzony wg EN 60745-2-13: 77 dB(A)
- Poziom mocy akustycznej L_{WA} zmierzony wg EN 60745-2-13: 86 dB(A)
- Poziom drgań a_{hV} zmierzony wg EN 60745-2-13:
 - Uchwyt manipulacyjny: 2,8 m/s²
 - Uchwyt: 2,9 m/s.

Podane poziomy drgań zostały zmierzone zgodnie ze znormalizowaną procedurą testową i mogą służyć do porównywania urządzeń elektrycznych. Rzeczywiste poziomy drgań mogą różnić się od podanych wartości w zależności od sposobu używania urządzenia. Podane poziomy drgań mogą być wykorzystane do wstępnego oszacowania obciążenia wibracjami. Należy oszacować rzeczywiste obciążenie wibracjami. Można przy tym uwzględnić także czasy, w których urządzenie elektryczne jest wyłączone oraz czasy, w których jest wprawdzie włączone, ale pracuje bez obciążenia.

Informacje na temat spełnienia wymagań dyrektywy 2002/44/WE dotyczącej ochrony pracowników przed wibracjami podano na stronie: www.stihl.com/vib.

19.8 REACH

Rozporządzenie REACH jest unijnym rozporządzeniem w sprawie rejestracji, oceny, udzielania zezwoleń i stosowanych ograniczeń w zakresie chemikaliów.

Informacje dotyczące zgodności z rozporządzeniem REACH znajdują się pod adresem: www.stihl.com/reach.

20 Kombinacje prowadnicy i piły łańcuchowej

20.1 Przecinarka do drewna STIHL GTA 26

Podziałka	Grubość ogniwa napędowego/Szerokość rowka	Długość	Prowadnica	Liczba zębów kółka gwiazdkowego	Liczba ogniw napędowych	Łańcuch piły
1/4" P	1,1 mm	10 cm	Light	-	28	71 PM3 (Typ 3670)

Długość cięcia prowadnicy zależy od używanej przecinarki i łańcucha. Rzeczywista długość rzazu prowadnicy może być mniejsza niż podana długość.

21 Części zamienne i akcesoria

21.1 Części zamienne i akcesoria

STIHL Symbole te oznaczają oryginalne części zamienne i akcesoria marki STIHL.

Firma STIHL zaleca używać oryginalnych części zamiennych i akcesoriów marki STIHL.

Oryginalne części zamienne i akcesoria marki STIHL można nabyć u dealerów marki STIHL.

22 Utylizacja

22.1 Utylizacja przecinarki, akumulatora i ładowarki

Informacje o utylizacji produktów można uzyskać od autoryzowanego dealera STIHL.

- ▶ Przecinarkę, prowadnicę, łańcuch, akumulator, ładowarkę, akcesoria i opakowanie należy oddawać do utylizacji zgodnie z przepisami i zasadami ochrony środowiska.

23 Deklaracja zgodności UE

23.1 Przecinarka do drewna STIHL GTA 26

ANDREAS STIHL AG & Co. KG
Badstraße 115
D-71336 Waiblingen
Niemcy

oświadcza na własną odpowiedzialność, że

- Wykonanie: Akumulatorowa przecinarka do drewna
- Marka: STIHL
- Typ: GTA 26

- Identyfikacja serii: GA01

spełnia odnośne przepisy dyrektywy 2011/65/UE, 2006/42/WE, 2014/30/UE i 2000/14/WE oraz została skonstruowana i wyprodukowana zgodnie z normami EN 55014-1, EN 55014-2, EN 62841-1 w wersji obowiązującej w dniu produkcji.

Badanie typu WE zgodnie z dyrektywą 2006/42/WE art. 12.3(b) zostało przeprowadzone przez: VDE Prüf- u. Zertifizierungsinstitut (NB 0366), Merianstraße 28, 63069 Offenbach, Niemcy

- Numer certyfikacji: 40050017

Zmierzone i gwarantowane poziomy mocy akustycznej wyznaczono zgodnie z dyrektywą 2000/14/WE, załącznik V.

- Zmierzony poziom mocy akustycznej: 88 dB(A)
- Gwarantowany poziom mocy akustycznej: 90 dB(A)

Dokumentacja techniczna jest przechowywana w Dziale certyfikacji produktów firmy ANDREAS STIHL AG & Co. KG.

Rok produkcji, kraj produkcji oraz numer seryjny są podane na urządzeniu.

Waiblingen, 03.02.2020

ANDREAS STIHL AG & Co. KG

z up.



Dr. Jürgen Hoffmann, dyrektor działu danych, przepisów oraz certyfikacji produktów

23.2 Informacje na temat zgodności ładowarki STIHL AL 1

Ładowarka została wyprodukowana i wprowadzona do obrotu zgodnie z następującymi dyrektywami: 2014/35/UE, 2014/30/UE i 2011/65/UE.

Rok i kraj produkcji oraz numer seryjny podano na ładowarce.

Kompletna deklaracja zgodności WE dostępna jest w firmie ANDREAS STIHL AG & Co. KG, Badstraße 115, 71336 Waiblingen, Niemcy.

24 Ogólne wskazówki bezpieczeństwa obowiązujące podczas pracy narzędziami z napędem elektrycznym

24.1 Wprowadzenie

Niniejszy rozdział oddaje sens ogólnych zasad bezpieczeństwa pracy przy użyciu ręcznych, mechanicznych elektronarzędzi, wstępnie sformułowanych w normie EN/IEC 62841.

Firma STIHL jest zobowiązana do przedrukowania tych tekstów.

W wypadku akumulatorowych urządzeń STIHL nie znajdują zastosowania wskazówki bezpieczeństwa podane w punkcie „Elektryczne wskazówki bezpieczeństwa” dot. unikania porażenia prądem elektrycznym.



OSTRZEŻENIE

Przeczytać wszystkie wskazówki bezpieczeństwa, instrukcje, ilustracje i dane techniczne dołączone do tego elektronarzędzia. Nieprzestrzeganie poniższych instrukcji może spowodować porażenie prądem elektrycznym, wybuch pożaru i/lub ciężkie obrażenia ciała. Wszystkie wskazówki i zalecenia dotyczące bezpieczeństwa należy starannie przechować w celu ewentualnego posłużenia się nimi w przyszłości.

Pojęcie "elektonarzędzie" zastosowane w niniejszych wskazówkach dotyczących bezpieczeństwa odnosi się do elektronarzędzi, których napęd stanowi napięcie sieciowe (z przewodem zasilania sieciowego) oraz tych, do których napędu użyto akumulatora (bez przewodu zasilania sieciowego).

24.2 Bezpieczeństwo pracy

- Stanowisko pracy należy utrzymywać w stanie czystości oraz musi być ono dobrze oświetlone.** Nieporządek lub nienależycie oświetlone obszary stanowiska pracy mogą prowadzić do zaistnienia wypadków.
- Nie należy pracować elektronarzędziem w otoczeniu, w którym występuje zagrożenie eksplozją, w którym znajdują się łatwopalne ciecze, gazy i pyły.** Elektronarzędzia wytwarzają iskry, które mogą spowodować zapłon pyłów lub par.
- Podczas posługiwania się elektronarzędziem nie należy tolerować na stanowisku pracy dzieci lub innych osób.** W razie odwrócenia uwagi można łatwo utracić kontrolę nad urządzeniem.

24.3 Bezpieczeństwo elektryczne

- Wtyczka przyłączeniowa elektronarzędzia musi pasować do gniazda zasilania sieciowego. Nie wolno w żadnym zakresie zmieniać konstrukcji wtyczki przewodu zasilania energią elektryczną. Nie wolno stosować wtyczek-adapterów z przewodem ochronnym razem z elektronarzędziami.** Wtyczki, przy których nie dokonano zmian konstrukcyjnych i odpowiednie sieciowe gniazda wtykowe zmniejszają ryzyko porażenia prądem elektrycznym.
- Należy unikać kontaktu ciała z uziemionymi powierzchniami jak np. rurami, elementami ogrzewania, piecami i chłodziarkami.** Jeżeli ciało użytkownika będzie uziemione, występować będzie podwyższone ryzyko porażenia prądem elektrycznym.

- c) **Należy chronić elektronarzędzia przed deszczem lub wilgocią.** Jeżeli woda przeniknie do wnętrza elektronarzędzia następuje zwiększenie ryzyka porażenia prądem elektrycznym.
- d) **Nie używać przewodu zasilającego w sposób niezgodny z zastosowaniem do przenoszenia lub zawieszania elektronarzędzia lub wyjmowania wtyczki z gniazdka. Przewód zasilający chronić przed wysokimi temperaturami, kontaktem z olejami, ostrymi krawędziami lub ruchomymi częściami urządzenia.** Uszkodzone lub poskręcane przewody zwiększają ryzyko porażenia prądem elektrycznym.
- e) **Jeżeli praca elektronarzędziem będzie wykonywana na otwartej przestrzeni, należy stosować tylko takie przedłużenia przewodu zasilającego, które są atestowane do stosowania w takich warunkach.** Stosowanie przewodu zasilającego atestowanego do stosowania na otwartej przestrzeni zmniejsza ryzyko porażenia prądem elektrycznym.
- f) **Jeżeli nie można uniknąć eksploatacji elektronarzędzia w wilgotnym otoczeniu, to należy w takiej sytuacji stosować przewód zasilający wyposażony w wyłącznik ochronny (różnicowo-prądowy).** Zastosowanie przewodu zasilania sieciowego wyposażonego w wyłącznik różnicowo-prądowy zmniejsza ryzyko porażenia prądem elektrycznym.

24.4 Bezpieczeństwo ludzi

- a) **Podczas pracy z elektronarzędziem należy zachować ostrożność i zdrowy rozsądek. Nie używaj elektronarzędzi w stanie zmęczenia lub pod wpływem narkotyków, alkoholu lub leków.** Moment nieuwagi podczas pracy elektronarzędziem może prowadzić do odniesienia poważnych obrażeń.
- b) **Należy nosić osobiste wyposażenie ochronne oraz zawsze pracować w okularach ochronnych.** Stosowanie osobistego wyposażenia ochronnego takiego, jak maska chroniąca drogi oddechowe przed pyłem, obuwie ochronne wyposażone w podeszwy zabezpieczające przed poślizgnięciem, hełm ochronny lub ochronniki

śluchu, dostosowanych w każdym przypadku do warunków pracy elektronarzędzia, zmniejsza ryzyko odniesienia obrażeń.

- c) **Należy unikać niezamierzonego uruchomienia. Przed podłączeniem elektronarzędzia do sieci oraz/lub do akumulatora, a także przed przenoszeniem należy się upewnić, czy jest ono wyłączone.** Noszenie elektronarzędzia z palcem na włączniku lub podłączanie do zasilania włączonego urządzenie może prowadzić do wypadków.
- d) **Przed włączeniem elektronarzędzia należy usunąć ze stanowiska pracy wszystkie narzędzia regulacyjne lub klucze do śrub.** Narzędzie lub klucz znajdujący się w obracającym się podzespołe urządzenia może spowodować obrażenia.
- e) **Należy unikać pracy w nienormalnej pozycji ciała. Przyjąć prawidłową postawę ciała i ustawić stabilnie stopy.** Dzięki temu będzie można w nieoczekiwanej sytuacji lepiej kontrolować elektronarzędzie.
- f) **Należy nosić odpowiednią odzież roboczą. Nie nosić zbyt luźnej odzieży lub biżuterii. Włosy i odzież muszą pozostawać z dala od części znajdujących się w ruchu.** Luźna odzież, biżuteria lub długie włosy mogą zostać pochwycone przez podzespoły urządzenia znajdujące się w ruchu.
- g) **Jeśli można zamontować urządzenia wciągające kurz, należy je włączać i stosować zgodnie z przeznaczeniem.** Zastosowanie odkurzacza zmniejsza zagrożenia, jakie może wywoływać pył.
- h) **Nie wolno nabierać fałszywego poczucia bezpieczeństwa i nie zwracać uwagi na zasady bezpieczeństwa, nawet kiedy po wielokrotnym użyciu użytkownik jest zaznajomiony z elektronarzędziem.** Nieuważne działanie może w ciągu ułamków sekund spowodować ciężkie obrażenia.

24.5 Stosowanie i obchodzenie się z elektronarzędziami

- a) **Nie należy przeciążać urządzenia. Do pracy należy używać odpowiedniego elektronarzędzia.** Dobór odpowiedniego elektronarzędzia zwiększa wygodę i bezpieczeństwo pracy.
- b) **Nie używać elektronarzędzia z uszkodzonym włącznikiem.** Elektronarzędzie, którego nie można włączyć ani wyłączyć, jest niebezpieczne i musi zostać natychmiast naprawione.
- c) **Przed dokonaniem ustawień w urządzeniu, wymianą elementów wyposażenia lub odstawieniem elektronarzędzia w celu jego przechowania należy wyjąć wtyczkę z gniazdka sieciowego oraz/lub wyjąć akumulator.** Uniemożliwi to niezamierzone uruchomienie elektronarzędzia.
- d) **Jeżeli elektronarzędzie nie będzie użytkowane, to należy odłożyć je w miejscu, które znajduje się poza zasięgiem dzieci. Nie wolno pozwolić na używanie urządzenia osobom, które nie znają urządzenia lub nie przeczytały niniejszych wskazówek.** Elektronarzędzia są niebezpieczne, jeżeli będą użytkowane przez osoby niedysponujące odpowiednim doświadczeniem.
- e) **Dbać odpowiednio o elektronarzędzia i narzędzia. Należy sprawdzać, czy ruchome elementy urządzenia działają prawidłowo i się nie zacinają oraz czy nie są pęknięte lub uszkodzone w sposób mający wpływ na działanie elektronarzędzia. Przed rozpoczęciem pracy należy zlecić naprawę uszkodzonych podzespołów.** Przyczyną wielu wypadków przy pracy są nieprawidłowo wykonane czynności obsługi technicznej elektronarzędzi.
- f) **Narzędzia tnące należy przechowywać w stanie naostrzonym i czystym.** Starannie pielęgnowane narzędzia tnące z naostrzonymi krawędziami tnącymi rzadziej się zacinają i są łatwiejsze w prowadzeniu.
- g) **Używać elektronarzędzi, wyposażenia i narzędzi zgodnie z niniejszymi wskazówkami. Należy przy tym uwzględnić warunki pracy oraz wykonywane zadanie.** Użytkowanie elektronarzędzi do innych celów może prowadzić do niebezpiecznych sytuacji.

- h) **Uchwyty i powierzchnie uchwytów muszą być suche, czyste i niezabrudzone olejem i smarem.** Ścisłe uchwyty i powierzchnie uchwytów nie pozwalają na bezpieczną obsługę i zachowanie kontroli nad elektronarzędziem w nieprzewidzianych sytuacjach.

24.6 Stosowanie i obchodzenie się z narzędziem akumulatorowym

- a) **Akumulatory należy ładować wyłącznie przy pomocy ładowarek, które są zalecane przez producenta.** Dla ładowarek, które zostały skonstruowane dla określonego rodzaju akumulatorów, występuje zagrożenie wybuchem pożaru, jeżeli zostaną zastosowane do ładowania innych akumulatorów.
- b) **W związku z tym, do urządzeń elektrycznych wolno stosować tylko te akumulatory, które zostały dla nich przewidziane.** Używanie innych akumulatorów może być przyczyną obrażeń i prowadzić do pożaru.
- c) **Nie wolno przechowywać nieużywanych akumulatorów w pobliżu spinaczy biurowych, monet, kluczy, gwoździ, śrub lub innych małych przedmiotów metalowych, które mogłyby doprowadzić do zwarcia biegunów akumulatora.** Zwarcie pomiędzy zestykami akumulatora może prowadzić do poparzeń lub do wybuchu pożaru.
- d) **Przy nieprawidłowym użytkowaniu z akumulatora może wypłynąć ciecz. Należy unikać kontaktu z cieczą. W razie przypadkowego kontaktu splukać miejsce wodą. Jeżeli ciecz przedostanie się do oczu, należy dodatkowo skorzystać z pomocy lekarza.** Wypływająca ciecz akumulatorowa może wywołać podrażnienia skóry i spowodować poparzenia.
- e) **Nie wolno korzystać z uszkodzonego lub zmodyfikowanego akumulatora.** Uszkodzone lub zmodyfikowane akumulatory mogą zachowywać się w sposób nieprzewidziany i spowodować pożar, wybuch lub ciężkie obrażenia.
- f) **Nie wolno narażać akumulatora na działanie ognia lub wysokich temperatur.** Ogień lub temperatura wynosząca ponad 130°C (265°F) mogą spowodować wybuch.

g) **Należy przestrzegać wszystkich instrukcji ładowania i nie ładować akumulatora lub narzędzia akumulatorowego poza zakresem temperatur podanym w instrukcji użytkowania.** Nieprawidłowe ładowanie lub ładowanie poza zakresem temperatur podanym w instrukcji użytkowania może prowadzić do uszkodzenia akumulatora i zwiększać ryzyko pożaru.

24.7 Serwis

- a) **Naprawy posiadanego urządzenia elektrycznego należy zlecać tylko wykwalifikowanym elektrotechnikom oraz wyłącznie z zastosowaniem oryginalnych części zamiennych.** W ten sposób można stwierdzić, że urządzenie jest bezpieczne.
- b) **Nie wolno nigdy poddawać konserwacji uszkodzonych akumulatorów.** Wszystkie prace konserwacyjne związane z akumulatorami mogą być przeprowadzane tylko przez producenta lub upoważnione punkty obsługi klienta.

Съдържание

1	Предговор	402	6.3	Показване на състоянието на зареждане	419
2	Информация относно настоящото Ръководството за употреба	402	6.4	Светодиоди на машината за рязане на дървесина	420
2.1	Действащи документи	402	6.5	Светлинен диод на зарядното устройство	420
2.2	Обозначение на предупредителни указания, които се срещат в текста	402	7	Сглобяване на машината за рязане на дървесина	420
2.3	Символи в текста	402	7.1	Демонтиране и монтиране на направляващата шина и режещата верига	420
3	Преглед на съдържанието	403	7.2	Опъване на режещата верига	421
3.1	Машина за рязане на дървесина, акумулаторна батерия и зарядно устройство	403	7.3	Смазване на режещата верига	422
3.2	Символи	404	8	Поставяне и изваждане на акумулатора	422
4	Указания за безопасност	405	8.1	Поставяне на акумулаторната батерия	422
4.1	Предупредителни символи	405	8.2	Изваждане на акумулаторната батерия	422
4.2	Употреба по предназначение	406	9	Включване и изключване на машината за рязане на дървесина	423
4.3	Изисквания към ползвателя	406	9.1	Включване на машината за рязане на дървесина	423
4.4	Облекло и екипировка	407	9.2	Изключване на машината за рязане на дървесина	423
4.5	Работен участък и неговата околност	407	10	Проверка на машината за рязане на дървесина и на акумулаторната батерия	423
4.6	Състояние, съответстващо на изискванията за безопасност	409	10.1	Проверка на верижното зъбно колело	423
4.7	Работа	411	10.2	Проверка на направляващата шина	423
4.8	Реактивни сили	413	10.3	Проверка на режещата верига	424
4.9	Зареждане	413	10.4	Проверка на предпазния капак	425
4.10	Свързване към електрическата мрежа	413	10.5	Проверка на елементите на управлението	425
4.11	Транспортиране	415	10.6	Проверете акумулаторната батерия	425
4.12	Съхранение	416	11	Работа с машината за рязане на дървесина	426
4.13	Почистване, поддръжка и ремонт	417	11.1	Държане и управление на машината за рязане на дървесина	426
5	Подготовка на машината за рязане на дървесина за работа	418	11.2	Рязане	426
5.1	Подготовка на машината за рязане на дървесина за работа	418	12	След работа	426
6	Зареждане на акумулатора и светодиодите	418	12.1	След работа	426
6.1	Монтиране на зарядното устройство на стената	418	13	Транспортиране	426
6.2	Зареждане на акумулаторната батерия	419			

STIHL

Това ръководство за работа и употреба е със защитени авторски права. Всички права остават запазени, особено правото за правене на копия /размножаване, за превеждане и за преработка посредством електронни системи.

13.1	Транспортиране на машината за рязане на дървесина	426	20	Комбинации от направляваща шина и режеща верига	437
13.2	Транспортиране на акумулаторната батерия	427	20.1	Машина за рязане на дървесина STIHL GTA 26	437
13.3	Транспортиране на зарядното устройство	427	21	Резервни части и принадлежности	438
14	Съхранение	427	21.1	Резервни части и принадлежности	438
14.1	Съхранение на машината за рязане на дървесина	427	22	Отстраняване /изхвърляне	438
14.2	Съхраняване на акумулаторната батерия	427	22.1	Изхвърляне на машината за рязане на дървесина, акумулаторната батерия и зарядното устройство	438
14.3	Съхраняване на зарядното устройство	428	23	Декларация на ЕС (EU) за съответствие	438
15	Почистване	428	23.1	Машина за рязане на дървесина STIHL GTA 26	438
15.1	Почистване на машината за рязане на дървесина	428	23.2	Указание за конформитет на зарядното устройство STIHL AL 1	439
15.2	Почистване на направляващата шина и режещата верига	428	24	Общи указания за безопасност за електрически инструменти	439
15.3	Почистване на акумулатора	429	24.1	Въведение	439
15.4	Почистване на зарядното устройство	429	24.2	Безопасност на работното място	439
16	Поддръжка /обслужване	429	24.3	Електрическа безопасност	439
16.1	Заточване на режещата верига	429	24.4	Безопасност на хора	440
17	Ремонт	430	24.5	Използване и бравене с електрическия инструмент	441
17.1	Ремонтиране на машината за рязане на дървесина, акумулаторната батерия и зарядното устройство	430	24.6	Използване и третиране на акумулаторния инструмент	441
18	Отстраняване на неизправности	431	24.7	Сервиз	442
18.1	Отстраняване на неизправности на машината за рязане на дървесина или на акумулаторната батерия	431			
18.2	Отстраняване на неизправности в зарядното устройство	433			
19	Технически данни	435			
19.1	Машина за рязане на дървесина STIHL GTA 26	435			
19.2	Верижни зъбни колела	435			
19.3	Минимална дълбочина на канала на направляващата шина	435			
19.4	Акумулаторна батерия STIHL AS	435			
19.5	Зарядно устройство STIHL AL 1	435			
19.6	Удължителни проводници	435			
19.7	Акустични и вибрационни стойности	436			
19.8	REACH	436			

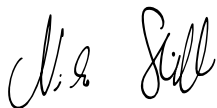
1 Предговор

Скъпи купувачи,

Ние се радваме, че сте избрали изделие на фирмата STIHL. Ние разработваме и произвеждаме продукти с най-високо качество в съответствие с изискванията на нашите клиенти. По този начин продуктите ни се отличават с висока надеждност дори при приложението им в най-тежки условия на експлоатация.

STIHL също така държи на най-високото качество в обслужването. Сътрудниците в специализираните ни търговски обекти са готови да Ви дадат компетентна консултация и съвети, както и да поемат комплексното техническо обслужване на закупените от Вас апарати.

Благодарим Ви за доверието и Ви пожелаваме удоволствие при ползването на изделието от фирмата STIHL.



Д-р Nikolas Stihl

ВАЖНО! ПРОЧЕТЕТЕ ПРЕДИ УПОТРЕБА – И СЪХРАНЯВАЙТЕ.

2 Информация относно настоящото Ръководството за употреба

2.1 Действащи документи

Валидни са местните предписания за безопасност.

- Допълнително към настоящото ръководство за употреба да се прочетат, разберат и съхраняват следните документи:

- Информация за мултифункционалното масло STIHL Multioil Bio: www.stihl.com/safety-data-sheets
- Информация за безопасност за акумулаторните батерии и изделията с вградена акумулаторна батерия на STIHL: www.stihl.com/safety-data-sheets

2.2 Обозначение на предупредителни указания, които се срещат в текста



ОПАСНОСТ

Това указание предупреждава за опасностите, които могат да доведат до тежки наранявания или до смърт.

- Посочените мерки ще помогнат за предотвратяването на тежки наранявания или смърт.



ПРЕДУПРЕЖДЕНИЕ

Това указание предупреждава за опасностите, които могат да доведат до тежки наранявания или до смърт.

- Посочените мерки ще помогнат за предотвратяването на тежки наранявания или смърт.

УКАЗАНИЕ

Това указание предупреждава за опасности, които могат да доведат до материални щети.

- Посочените мерки ще помогнат за предотвратяването на материални щети.

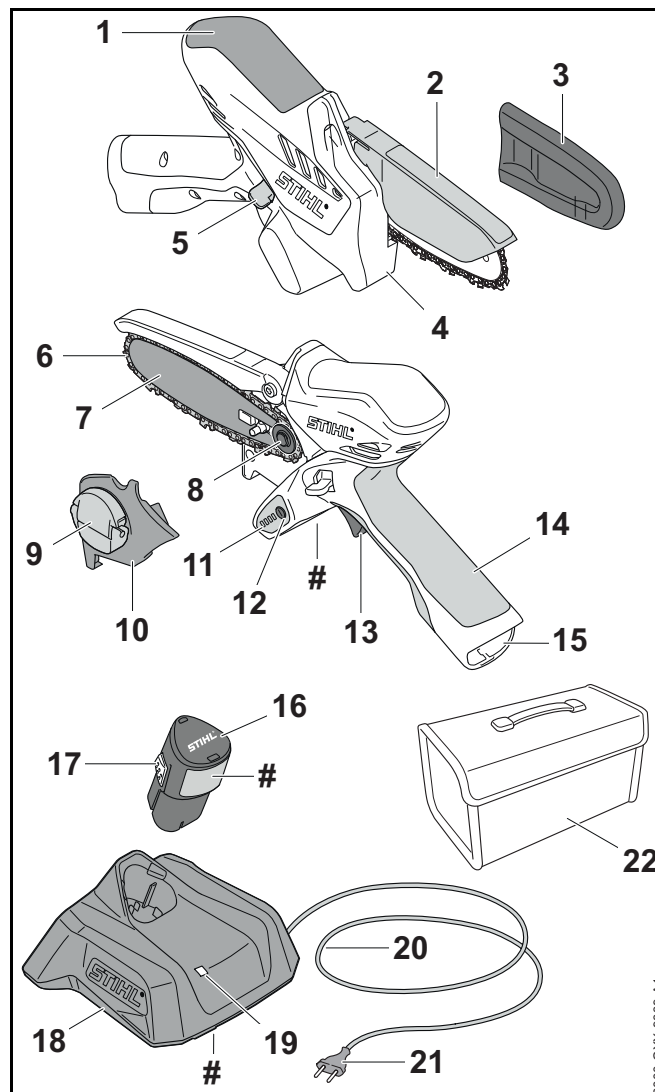
2.3 Символи в текста



Този символ насочва към глава от настоящото ръководството за употреба.

3 Преглед на съдържанието

3.1 Машина за рязане на дървесина, акумулаторна батерия и зарядно устройство



1 Място за хващане

Мястото за хващане служи за държане и водене на машината за рязане на дървесина.

- 2 Предпазен капак**
Предпазният капак защитава ползвателя от контакт с режещата верига.
- 3 Предпазител на веригата**
Предпазителят на веригата защитава ползвателя от контакт с режещата верига.
- 4 Ограничител**
По време на работа ограничителят поддържа машината за рязане на дървесина върху дървото.
- 5 Блокиращ лост**
Блокиращият лост деблокира лоста за ръчно включване/изключване.
- 6 Режеща верига**
Режещата верига разрязва дървения материал.
- 7 Направляваща шина**
Направляващата шина направлява режещата верига.
- 8 Верижно зъбно колело**
Верижното зъбно колело задвижва режещата верига.
- 9 Крилчатата гайка**
Крилчатата гайка фиксира капака на верижното зъбно колело към машината за рязане на дървесина.
- 10 Капак на верижното зъбно колело**
Капакът на верижното зъбно колело покрива верижното зъбно колело и закрепва направляващата шина към машината за рязане на дървесина.
- 11 Светодиоди**
Светодиодите показват състоянието на зареждане на акумулаторната батерия и евентуални неизправности.
- 12 Бутон**
С този бутон се активират светодиодите на машината за рязане на дървесина.
- 13 Лост за ръчно включване/изключване**
Лостът за ръчно включване/изключване включва и изключва машината за рязане на дървесина.
- 14 Дръжка за управление**
Дръжката за управление служи за управление, носене и водене на машината за рязане на дървесина.
- 15 Приемно гнездо за акумулаторната батерия**
В това гнездо се поставя акумулаторната батерия.
- 16 Акумулаторна батерия**
Акумулаторната батерия захранва машината за рязане на дървесина с енергия.
- 17 Фиксираща кука**
Фиксиращата кука задържа акумулаторната батерия в приемното гнездо за акумулаторна батерия.
- 18 Зарядно устройство**
Зарядното устройство служи за зареждане на акумулаторната батерия.
- 19 Светодиод**
Със светодиода се показва състоянието на зарядното устройство.
- 20 Захранващ кабел**
Посредством захранващия кабел зарядното устройство се свързва с щепсела.
- 21 Щепсел за свързване с електрическата мрежа**
Щепселът свързва захранващия кабел с контакта за електрически ток
- 22 Чанта**
Чантата служи за пренасяне и съхраняване на машината за рязане на дървесина, акумулаторната батерия и зарядното устройство. Чантата се съдържа само в обема на доставка на комплекта (състоящ се от машина за рязане на дървесина, акумулаторна батерия и зарядно устройство).
- # Табелка за мощността с машинен номер**
- 3.2 Символи**
Символите могат да се намират върху машината за рязане на дървесина, акумулаторната батерия и зарядното устройство и означават следното:



С този символ се показва посоката на движение на режещата верига.



Светодиодът свети или мига в зелено. Акумулаторната батерия се зарежда.



Светодиодът мига в червено. Между акумулаторната батерия и зарядното устройство няма електрически контакт или в акумулаторната батерия или в зарядното устройство има неизправност.



Дължина на направляващата шина, която може да бъде употребявана.



LWA Гарантирано максимално ниво на звуковата мощност в съответствие с Директива 2000/14/ЕО в децибели /dB(A), за да се направят сравними звуковите емисии на изделията.



Обозначението в непосредствена близост до символа показва енергийното съдържание на акумулаторната батерия според спецификацията на производителя на клетката. Енергийното съдържание, налично при използването, е малко.



С електроуреда да се работи в затворено и сухо помещение.



Изделието да не се изхвърля заедно с битовите отпадъци.



Ръководството за употреба да се прочете, разбере и съхранява.

4 Указания за безопасност

4.1 Предупредителни символи

Предупредителните символи върху машината за рязане на дървесина, акумулаторната батерия или зарядното устройство означават следното:



Да се спазват указанията за безопасност и мерките, свързани с тях.



Да се прочете, разбере и съхранява настоящото Ръководство за употреба.



Носете предпазни очила.



Дръжте машината за рязане на дървесина здраво с две ръце.



Не докосвайте движещата се режеща верига.



Изваждайте акумулаторната батерия при прекъсване на работа, при транспортиране, съхраняване, по време на дейностите по поддръжката или ремонта на машината.



Пазете машината за рязане на дървесина и зарядното устройство от дъжд и влага.



Пазете акумулаторната батерия от горещина и огън.



Акумулаторната батерия да се пази от дъжд и влага и да не се потапя в течности.

4.2 Употреба по предназначение

Машината за рязане на дървесина STIHL GTA 26 служи за рязане на дървесина.

Машината за рязане на дървесина не бива да се използва при дъжд.

Акумулаторната батерия STIHL AS захранва машината за рязане на дървесина с енергия.

Зарядното устройство STIHL AL 1 зарежда акумулаторната батерия STIHL AS.

⚠ ПРЕДУПРЕЖДЕНИЕ

- Акумулаторни батерии и зарядни устройства, които не са одобрени от STIHL за употреба с машината за рязане на дървесина, могат да предизвикат пожар и експлозия. Може да се стигне до тежки наранявания и смърт на хора и до материални щети.
 - ▶ Използвайте машината за рязане на дървесина с акумулаторна батерия STIHL AS.
 - ▶ Зареждайте акумулаторната батерия STIHL AS със зарядно устройство STIHL AL 1.

- При използване на машината за рязане на дървесина, акумулаторната батерия или зарядното устройство не по предназначение, може да се стигне до тежко нараняване или смърт на хора, както и до материални щети.
 - ▶ Машината за рязане на дървесина, акумулаторната батерия и зарядното устройство да се използват така, както е описано в това ръководство за употреба.

4.3 Изисквания към ползвателя

⚠ ПРЕДУПРЕЖДЕНИЕ

- Ползвателите, които не са инструктирани предварително, не са в състояние да разпознаят или оценят опасностите, свързани с работата на машината за рязане на дървесина, акумулаторната батерия и зарядното устройство. Ползвателят или други хора могат да получат тежки или смъртоносни наранявания.



- ▶ Ръководството за употреба да се прочете, разбере и съхранява.

- ▶ Ако машината за рязане на дървесина, акумулаторната батерия или зарядното устройство се дават на друг ползвател: да му се предаде също и ръководството за употреба.
- ▶ Уверете се, че ползвателят удовлетворява следните изисквания:
 - Ползвателят е отпочинал.
 - Ползвателят трябва да бъде физически, емоционално и умствено способен да обслужва машината за рязане на дървесина, акумулаторната батерия и зарядното устройство и да работи с тях. В случай че ползвателят физически, сетивно или умствено е ограничен да

го направи, той може да работи с него само под надзора или ръководството на отговорно лице.

- Ползвателят е в състояние да разпознае и прецени опасностите от машината за рязане на дървесина, акумулаторната батерия и зарядното устройство.
 - Ползвателят е пълнолетно лице или се обучава професионално в съответствие с националните разпоредби под надзора на друго лице.
 - Ползвателят трябва да е получил инструкции от специализиран търговски обект на STIHL или от друго компетентно лице, преди да пристъпи към работа с машината за рязане на дървесина и преди да използва зарядното устройство за пръв път.
 - Ползвателят не се намира под въздействие на алкохол, медикаменти или наркотици.
- ▶ При съмнения се обърнете към специализиран търговски обект на STIHL.

4.4 Облекло и екипировка

▲ ПРЕДУПРЕЖДЕНИЕ

- По време на работа дългата коса може да бъде захваната в машината за рязане на дървесина. Ползвателят може да бъде сериозно ранен.
 - ▶ Приберете и осигурете дългата коса по такъв начин, че тя да се намира над раменете.
 - По време на предмети могат да бъдат изхвърлени с висока скорост. Ползвателят може да бъде ранен.
 - ▶ Носете плътно прилягащи предпазни очила. Подходящи предпазни очила са тези, които са минали проверка по стандарт EN 166 или по националните нормативи и със съответна маркировка се предлагат в търговската мрежа.
- ▶ Носете дълъг панталон.



- Падащи предмети могат да причинят наранявания на главата.
 - ▶ Ако по време на работа надолу падат предмети: носете предпазна каска.
- По време на работа може да се вдигне прах. Вдишаният прах може да увреди здравето и да предизвика алергични реакции.
 - ▶ Ако се вдига прах: носете противопрахова маска.
- Неподходящото облекло може да се оплете в дървета, храсти и в машината за рязане на дървесина. Ползватели без подходящо облекло могат да получат тежки наранявания.
 - ▶ Носете плътно прилягащо облекло.
 - ▶ Не носете шалове и бижута.
- По време на работа ползвателят може да се пореже на дървесина. По време на почистване или поддръжка ползвателят може да влезе в контакт с режещата верига. Ползвателят може да бъде ранен.
 - ▶ Носете работни ръкавици от устойчив материал.
- Ако ползвателят носи неподходящи обувки, той може да се подхлъзне. Ползвателят може да бъде ранен.
 - ▶ Носете здрави затворени обувки с подметки с грайфери.

4.5 Работен участък и неговата околност

4.5.1 Машината за рязане на дървесина

▲ ПРЕДУПРЕЖДЕНИЕ

- Външни лица, деца и животни не могат да разпознават и оценяват опасностите, свързани с работата на машината за рязане на дървесина и опасностите от изхвърчащи с висока скорост предмети. Външни лица, деца и животни могат да получат тежки наранявания и да бъдат причинени материални щети.
 - ▶ Външни лица, деца и животни да не се допускат в работната зона.
 - ▶ Не оставяйте машината за рязане на дървесина без наблюдение.

- ▶ Уверете се, че деца не могат да играят с машината за рязане на дървесина.
- Машината за рязане на дървесина не е защитен от вода. Ако се работи по време на дъжд или във влажна среда, може да се получи електрически удар. Може да се стигне до сериозни наранявания на ползвателя и повреда на машината за рязане на дървесина.



- ▶ Да не се работи по време на дъжд или във влажна среда.

- Електрическите компоненти на машината за рязане на дървесина могат да създадат искри. В леснозапалима или експлозивна среда искрите могат да предизвикат пожар или експлозия. Може да се стигне до тежки наранявания и смърт на хора и до материални щети.
 - ▶ Да не се работи в лесно възпламенима или експлозивна среда.

4.5.2 Акумулаторна батерия

▲ ПРЕДУПРЕЖДЕНИЕ

- Външните лица, децата и животните не могат да разпознават и оценяват опасностите, свързани с акумулаторната батерия. Външните лица, децата и животните могат да получат тежки наранявания.
 - ▶ Дръжте далеч външни лица, деца и животни.
 - ▶ Не оставяйте акумулаторната батерия без наблюдение.
 - ▶ Уверете се, че деца не могат да играят с акумулаторната батерия.
- Акумулаторната батерия не е защитена срещу всички въздействия на околната среда. Ако акумулаторната батерия бъде подложена на неподходящи въздействия от околната среда, тя може да се запали или да се експлодира. Това може да доведе до тежко нараняване на хора и до материални щети.



- ▶ Акумулаторната батерия да се предпазва от горещина и от открит огън.
- ▶ Акумулаторната батерия да не се хвърля в огън.

- ▶ Използвайте и съхранявайте акумулаторната батерия в температурния диапазон между - 20 °C и + 50 °C.



- ▶ Акумулаторната батерия да се пази от дъжд и влага и да не се потапя в течности.

- ▶ Акумулаторната батерия да се държи далеч от метални предмети.
- ▶ Акумулаторната батерия да не се поставя под високо налягане.
- ▶ Акумулаторната батерия да не се излага на въздействието на микровълни.
- ▶ Акумулаторната батерия да се пази от химикали и соли.

4.5.3 Зарядно устройство

▲ ПРЕДУПРЕЖДЕНИЕ

- Външни лица и деца не могат да разпознаят и оценят опасностите, свързани със зарядното устройство и електрическия ток. Външните лица, децата и животните могат да получат тежки или смъртоносни наранявания.
 - ▶ Дръжте далеч външни лица, деца и животни.
 - ▶ Уверете се, че деца не могат да играят със зарядното устройство.
- Зарядното устройство не е защитено от вода. Ако се работи по време на дъжд или във влажна среда, може да се получи електрически удар. Може да се стигне до сериозни наранявания на ползвателя и повреда на зарядното устройство.



- ▶ Не работете по време на дъжд или във влажна среда.

- Зарядното устройство не е защитено срещу всички въздействия на околната среда. Ако зарядното устройство бъде подложено на неподходящи въздействия от околната среда, то може да се запали или да експлодира. Това може да доведе до тежко нараняване на хора и до материални щети.
 - ▶ Със зарядното устройство трябва да се работи в затворено и сухо помещение.
 - ▶ Със зарядното устройство не бива да се работи в лесно възпламенима или експлозивна среда.
 - ▶ При работа зарядното устройство да не поставя върху лесно възпламенима основа.
 - ▶ Използвайте и съхранявайте зарядното устройство в температурния диапазон между - 20 °C и + 50 °C.
- В захранващия кабел могат да се спънат хора. Могат да бъдат наранени хора, а зарядното устройство може да се повреди.
 - ▶ Захранващият кабел трябва да се прекара плътно по земята.

4.6 Състояние, съответстващо на изискванията за безопасност

4.6.1 Машина за рязане на дървесина

Машината за рязане на дървесина се намира в състояние, съответстващо на изискванията за безопасност, когато са изпълнени следните условия:

- Машината за рязане на дървесина не е дефектна.
- Машината за рязане на дървесина е чиста и суха.
- Предпазният капак е монтиран.
- Предпазният капак не е повреден и не е променен.
- Елементите на управлението функционират нормално и не са променени.

- Режещата верига е смазана.
- Следите от износване на верижното зъбно колело не са по-дълбоки от 0,5 mm.
- Монтирана е една от посочените в това ръководство за употреба комбинации от направляваща шина и режеща верига.
- Направляващата шина и режещата верига са монтирани правилно.
- Режещата верига е опъната правилно.
- На тази машина за рязане на дървесина са монтирани само оригинални принадлежности на STIHL.
- Принадлежностите са монтирани правилно.


▲ ПРЕДУПРЕЖДЕНИЕ

- При състояние, неотговарящо на изискванията за техническа безопасност, е възможно конструктивни части вече да не функционират правилно и предпазни устройства да не действат. Може да се стигне до сериозни наранявания на хора или смърт.
 - ▶ Да се работи само с изправна машина за рязане на дървесина.
 - ▶ Ако машината за рязане на дървесина е замърсена или мокра: почистете и оставете машината за рязане на дървесина да изсъхне.
 - ▶ Не извършвайте промени по машината за рязане на дървесина. Изключение: монтиране на една от посочените в това ръководство за употреба комбинации от направляваща шина и режеща верига.
 - ▶ Използвайте машината за рязане на дървесина само с монтиран предпазен капак.
 - ▶ Ако предпазният капак е повреден или променен: не работете с машината за рязане на дървесина.
 - ▶ Ако елементите на управлението не функционират: не работете с машината за рязане на дървесина.
 - ▶ Монтирайте само оригинални принадлежности на STIHL за тази машина за рязане на дървесина.

- ▶ Монтирайте направляващата шина и режещата верига така, както е описано в това ръководство за употреба.
- ▶ Монтирайте принадлежностите така, както е описано в това ръководство за употреба или както е описано в ръководството за употреба на принадлежностите.
- ▶ Да не се вкарват никакви предмети в отворите на машината за рязане на дървесина.
- ▶ Сменете износените или повредени указателни табелки.
- ▶ При съмнения се обърнете към специализиран търговски обект на STIHL.

4.6.2 Направляваща шина

Направляващата шина се намира в състояние, съответстващо на изискванията за безопасност, когато са изпълнени следните условия:

- Направляващата шина не е повредена.
- Направляващата шина не е деформирана.
- Каналът е толкова дълбок или е по-дълбок от минималната му дълбочина,  19.3.
- Каналът не е стеснен и не е разширен.

ПРЕДУПРЕЖДЕНИЕ

- В състояние, неотговарящо на техническата безопасност, шината не може правилно да води режещата верига. Движещата се режеща верига може да изскочи от направляващата шина. Може да се стигне до сериозни наранявания на хора или смърт.
 - ▶ Да се работи само с неповредена направляваща шина.
 - ▶ Ако дълбочината на канала е по-малка от минималната му дълбочина: да се смени направляващата шина.
 - ▶ При съмнения се обърнете към специализиран търговски обект на STIHL.

4.6.3 Режеща верига

Режещата верига се намира в състояние, съответстващо на изискванията за безопасност, когато са изпълнени следните условия:

- Режещата верига не е повредена.
- Режещата верига е правилно заточена.
- Маркировките за износване на режещите зъби трябва да се виждат.

ПРЕДУПРЕЖДЕНИЕ

- При състояние на апарата, неотговарящо на изискванията за техническа безопасност, частите му не могат да функционират нормално и предпазните устройства престават да действат. Може да се стигне до сериозни наранявания на хора или смърт.
 - ▶ Да се работи само с изправна режеща верига.
 - ▶ Правилно да се заточва режещата верига.
 - ▶ При съмнения и въпроси обърнете се към специализиран търговски обект на STIHL.

4.6.4 Акумулатор

Акумулаторът е в състояние, съобразено с изискванията за безопасност, ако следните условия са изпълнени:

- Акумулаторът не е повреден.
- Акумулаторът е чист и сух.
- Акумулаторът функционира и не е променен.

ПРЕДУПРЕЖДЕНИЕ

- В състояние, което не е съобразено с изискванията за безопасност, акумулаторът вече не може да функционира безопасно. Хората могат да получат тежки наранявания.
 - ▶ Работете с неповреден и функциониращ акумулатор.
 - ▶ Не зареждайте повреден или дефектен акумулатор.

- ▶ Ако акумулаторът е замърсен или мокър: Почистете акумулатора и го оставете да изсъхне.
- ▶ Не променяйте акумулатора.
- ▶ Не пъхайте предмети в отворите на акумулатора.
- ▶ Не свързвайте електрическите контакти на акумулатора с метални предмети и не предизвиквайте късо съединение.
- ▶ Не отваряйте акумулатора.
- ▶ Износените или повредени указателни табелки трябва да се сменят.
- От повредения акумулатор може да излезе течност. Ако течността влезе в контакт с кожата или очите, те може да се раздразнят.
 - ▶ Избягвайте контакт с течността.
 - ▶ Ако има контакт с кожата: измийте засегнатите места по кожата обилно с вода и сапун.
 - ▶ Ако има контакт с очите: промийте очите най-малко за 15 минути обилно с вода и потърсете лекар.
- Повреден или дефектен акумулатор може да мирише необичайно, да дими или да гори. Това може да доведе до тежки наранявания или смърт за хората и може да възникнат материални щети.
 - ▶ Ако акумулаторът мирише необичайно или дими: не използвайте акумулатора и го дръжте далеч от запалими вещества.
 - ▶ Ако акумулаторът гори: опитайте се да угасите акумулатора с пожарогасител или с вода.

4.6.5 Зарядно устройство

Зарядното устройство се намира в състояние, съответстващо на изискванията за безопасност, когато са изпълнени следните условия:

- Зарядното устройство не е повредено.
- Зарядното устройство е чисто и сухо.

▲ ПРЕДУПРЕЖДЕНИЕ

- При състояние на апарата, неотговарящо на изискванията за техническа безопасност, частите му не могат да функционират нормално и предпазните устройства престават да действат. Може да се стигне до сериозни наранявания на хора или смърт.
 - ▶ Да се използва изправно зарядно устройство.
 - ▶ Ако зарядното устройство е замърсено или мокро: то трябва да се почисти и да се остави да изсъхне.
 - ▶ Не бива да се правят конструктивни промени на зарядното устройство.
 - ▶ Да не се вкарват никакви предмети в отворите на зарядното устройство.
 - ▶ Електрическите контакти на зарядното устройство да не се присъединяват или свързват накъсо с метални предмети.
 - ▶ Зарядното устройство да не се отваря.

4.7 Работа

▲ ПРЕДУПРЕЖДЕНИЕ

- Ако извън работната зона в границата на чуваемост няма хора, не можете да извикате помощ в случай на авария.
 - ▶ Уверете се, че има хора извън работната зона, но в границата на чуваемост.
- В някои ситуации ползвателят не може да работи концентрирано. Ползвателят може да загуби контрол върху машината за рязане на дървесина, да се спъне, да падне и да получи тежко нараняване.
 - ▶ Работете спокойно и съсредоточено.
 - ▶ Ако условията на видимост или осветление са лоши: да не се работи с машината за рязане на дървесина.
 - ▶ Работете самостоятелно с машината за рязане на дървесина.
 - ▶ Не работете над нивото на раменете си.
 - ▶ Внимавайте за препятствия.

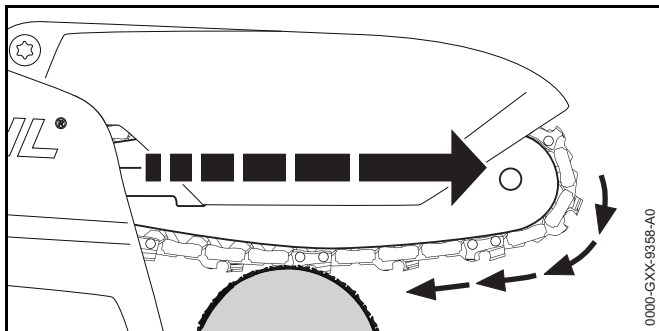
- ▶ Работете от земята и пазете равновесие. Ако се налага да се работи на високо: използвайте повдигателна работна платформа или устойчиви скелета.
- ▶ При признаци на умора: направете пауза.
- Ползвателят може да се пореже от движещата се режеща верига. Ползвателят може да бъде сериозно наранен.
 - ▶ Да не се докосва движещата се режеща верига.
 - ▶ Ако режещата верига е блокирана от някакъв предмет: изключете машината за рязане на дървесина и извадете акумулаторната батерия. Едва тогава отстранете предмета.
- Движещата се режеща верига се нагрива и се разтяга. Ако режещата верига не е достатъчно смазана и обтегната, тя може да изскочи от направляващата шина или да се скъса. Това може да доведе до тежко нараняване на хора и до материални щети.
 - ▶ Използвайте мултифункционално масло STIHL Multioil Bio или аналогично, биоразградимо мултифункционално масло.
 - ▶ По време на работа след всяко зареждане на акумулаторната батерия смазвайте режещата верига.
 - ▶ По време на работа редовно правете проверка на опъването на режещата верига. Ако опъването на режещата верига е недостатъчно: опънете режещата верига.
- По време на работа направляващата шина, режещата верига и верижното зъбно колело могат да станат горещи. Ползвателят може да се изгори.
 - ▶ Не докосвайте гореща направляваща шина, режеща верига и верижно зъбно колело.
 - ▶ Изчакайте, докато направляващата шина, режещата верига и верижното зъбно колело се охладят.
 - ▶ Да се носят работни ръкавици от устойчив материал.
- Ако по време на работа забележите промени или нещо необичайно в поведението на машината за рязане на дървесина, това означава, че състоянието на машината за рязане на дървесина може да не съответства на изискванията за техническа безопасност. Това може да доведе до тежко нараняване на хора и до материални щети.
 - ▶ В този случай работата трябва да се прекрати, акумулаторната батерия да се извади и да се потърси специализиран търговски обект на STIHL.
- По време на работа машината за рязане на дървесина може да предизвика вибрации.
 - ▶ Носете ръкавици.
 - ▶ Правете почивки в процеса на работа.
 - ▶ При поява на признаци за нарушено кръвооросяване: посетете лекар.
- Ако движещата се режеща верига попадне върху твърд предмет, може да възникнат искри. Искрите могат да предизвикат пожар в лесновъзпламенима среда. Може да се стигне до тежки наранявания и смърт на хора и до материални щети.
 - ▶ Не бива да се работи в лесновъзпламенима среда.
- Когато лостът за ръчно включване/изключване се пусне, режещата верига продължава да се движи още известно време. Движещата режеща верига може да пореже хората. Може да се стигне до сериозни наранявания на хората.
 - ▶ Изчакайте, докато режещата верига престане да се движи.

ОПАСНОСТ

- Ако се работи в участък с токопроводящи кабели под напрежение, режещата верига може да влезе в контакт с токопроводящите кабели под напрежение и да ги повреди. Ползвателят може да получи тежки, дори смъртоносни наранявания.
 - ▶ Да не се работи в участъци с токопроводящи кабели под напрежение.

4.8 Реактивни сили

4.8.1 Реактивни сили



Когато се работи с долната страна на направляващата шина, машината за рязане на дървесина се тегли навън от ползвателя.

⚠ ПРЕДУПРЕЖДЕНИЕ

- Ако движещата се режеща верига попадне на твърд предмет и бързо спре, машината за рязане на дървесина може внезапно да бъде изтеглена навън от ползвателя. Могат да бъдат наранени хора.
 - ▶ Дръжте машината за рязане на дървесина здраво с две ръце.
 - ▶ Работете така, както е описано в това ръководство за употреба.
 - ▶ Работете с монтиран предпазен капак.
 - ▶ Работете с изправен и непроменен предпазен капак.
 - ▶ Работете само с добре заточена и правилно опъната режеща верига.
 - ▶ Направляващата шината се вкарва на право във вреза, без да се превърта.
 - ▶ Поставете правилно опората.
 - ▶ Работете на пълна газ.

4.9 Зареждане

⚠ ПРЕДУПРЕЖДЕНИЕ

- По време на зареждането повредено или дефектно зарядно устройство може необичайно да мирише или да пуши. Това може да причини наранявания на хора и материални щети.
 - ▶ Извадете щепсела за свързване с електрическата мрежа от контакта.
- При недостатъчно отвеждане на топлина зарядното устройство може да прегрее и да предизвика пожар. Може да се стигне до тежки наранявания и смърт на хора и до материални щети.
 - ▶ Не покривайте зарядното устройство.

4.10 Свързване към електрическата мрежа

Докосване до токопроводящите части може да настъпи по следните причини:

- Захранващият кабел или удължителният проводник е повреден.
- Щепселът на захранващия кабел или удължителния проводник е повреден.
- Контактът не е монтиран правилно.

▲ ОПАСНОСТ

- Докосването на токопроводящите части може да доведе до електрически удар. Ползвателят може да получи тежки, дори смъртоносни наранявания.
 - ▶ Уверете се, че захранващият кабел, удължителният кабел и щепселът не са повредени.



Ако захранващият кабел или удължителният проводник е повреден:

- ▶ Не докосвайте повреденото място.
- ▶ Извадете щепсела за свързване с електрическата мрежа от контакта.
- ▶ Хващайте захранващия кабел, удължителния проводник и техните мрежови щепсели само със сухи ръце.
- ▶ Вкарайте мрежовия щекер на захранващия кабел или удължителния проводник в правилно монтиран контакт с предпазител със защитна контактна система.
- ▶ Свържете зарядно устройство чрез защитен прекъсвач срещу утечен ток (30 mA, 30 ms).
- Повреден или неподходящ удължителен проводник може да предизвика електрически удар. Може да се стигне до сериозни наранявания на хора или смърт.
 - ▶ Използвайте удължителен проводник с правилно избрано сечение, 19.6.

▲ ПРЕДУПРЕЖДЕНИЕ

- Неправилно напрежение или неправилна честота в електрическата мрежа може да доведе по време на зареждането до свръхнапрежение в зарядното устройство. Зарядното устройство може да се повреди.
 - ▶ Убедете се, че напрежението и честотата в електрическата мрежа съвпадат с данните, посочени на табелката на зарядното устройство.
- Неправилно прокаран захранващ кабел и удължителен проводник могат лесно да се повредят, а и хората ще се спъват в него. Това може да стане причина за травми на хората и за повреждане на захранващия или удължителния проводник.
 - ▶ Прокарайте и обозначете захранващия кабел и удължителния проводник така, че хората да не се спъват в тях.
 - ▶ Прокарайте захранващия кабел и удължителния проводник така, че да не са обтегнати или преплетени.
 - ▶ Прокарайте захранващия кабел и удължителния проводник така, че да не се повредят, прегънат или сплескат, или трият.
 - ▶ Пазете захранващия кабел и удължителния проводник от топлина, масло и химикали.
 - ▶ Захранващият кабел и удължителният проводник се прокарават по суха основа.
- По време на работа удължителният проводник се нагрява. Ако образуваната топлина не се отвежда, тя може да предизвика пожар.
 - ▶ В случай, че се използва кабелен барабан: кабелът трябва изцяло да се отбие от барабана.
- Ако в стената са разположени електрически проводници и тръби, те могат да се повредят, когато зарядното устройство се монтира на стената.

Контактът с електрически проводници може да доведе до електрически удар. Това може да доведе до тежко нараняване на хора и до материални щети.

- ▶ Убедете се, че на предвиденото място в стената не преминават електрически проводници и тръби.
- Ако зарядното устройство не е монтирано на стената така, както е описано в настоящото ръководство за употреба, то зарядното устройство или акумулаторната батерия може да падне или зарядното устройство да се нагрее прекомерно. Това може да причини тежки наранявания на хора и материални щети.
 - ▶ Монтирайте зарядното устройство на стената така, както е описано в настоящото ръководство за употреба.
- Ако зарядното устройство с поставена в него акумулаторна батерия се монтира на стената, акумулаторната батерия може да падне от зарядното устройство. Това може да причини тежки наранявания на хора и материални щети.
 - ▶ Най-напред монтирайте зарядното устройство на стената и едва след това поставете в него акумулаторната батерия.

4.11 Транспортиране

4.11.1 Машина за рязане на дървесина

▲ ПРЕДУПРЕЖДЕНИЕ

- При транспортирането машината за рязане на дървесина може да се преобърне или да се измести. Това може да причини тежки наранявания на хора и материални щети.



- ▶ Извадете акумулаторната батерия.

- ▶ Избутайте предпазителя за веригата върху направляващата шина така, че да покрие цялата направляваща шина.

- ▶ Транспортирайте машината за рязане на дървесина в доставената чанта.
- ▶ Ако в обема на доставката не се съдържа чанта: обезопасете машината за рязане на дървесина с обтяжни колани, ремъци или мрежа така, че да не може да се преобърне или измести.

4.11.2 Акумулаторна батерия

▲ ПРЕДУПРЕЖДЕНИЕ

- Акумулаторната батерия не е защитена срещу всички въздействия на околната среда. Ако акумулаторната батерия се подложи на неподходящи въздействия на околната среда, тя може да се повреди и могат да възникнат материални щети.
 - ▶ Не бива да се транспортира повредена акумулаторна батерия.
 - ▶ Транспортирайте акумулаторната батерия в доставената чанта.
 - ▶ Ако в обема на доставката не се съдържа чанта: транспортирайте акумулаторната батерия в електрически непроеводима опаковка.
- При транспортирането акумулаторната батерия може да се преобърне или да се измести. Това може да причини тежки наранявания на хора и материални щети.
 - ▶ Акумулаторната батерия трябва да се опакова така в опаковката, че да не може да се мести.
 - ▶ Подсигурете опаковката така, че да не може да се движи.

4.11.3 Зарядно устройство

▲ ПРЕДУПРЕЖДЕНИЕ

- При транспортирането зарядното устройство може да се преобърне или да се измести. Това може да причини тежки наранявания на хора и материални щети.
 - ▶ Извадете щепсела за свързване с електрическата мрежа от контакта.
 - ▶ Извадете акумулаторната батерия.
 - ▶ Транспортирайте зарядното устройство в доставената чанта.
 - ▶ Ако в обема на доставката не се съдържа чанта: обезопасете зарядното устройство с обтяжни колани, ремъци или мрежа така, че да не може да се преобърне или измести.
- Захранващият кабел не е предвиден за носене на зарядното устройство. В резултат от това може да се повреди захранващия кабел и зарядното устройство.
 - ▶ Развийте захранващия проводник и го закрепете към зарядното устройство.

4.12 Съхранение

4.12.1 Машина за рязане на дървесина

▲ ПРЕДУПРЕЖДЕНИЕ

- Децата не могат да разпознават и оценяват опасностите, свързани с машината за рязане на дървесина. Децата могат да бъдат сериозно наранени.



- ▶ Извадете акумулаторната батерия.

- ▶ Избутайте предпазителя за веригата върху направляващата шина така, че да покрие цялата направляваща шина.

- ▶ Съхранявайте машината за рязане на дървесина извън обсега на деца.
- Електрическите контакти на машината за рязане на дървесина и металните конструктивни части могат да корозират от влага. Машината за рязане на дървесина може да се повреди.



- ▶ Извадете акумулаторната батерия.

- ▶ Съхранявайте машината за рязане на дървесина чиста и суха.

4.12.2 Акумулаторна батерия

▲ ПРЕДУПРЕЖДЕНИЕ

- Децата не могат да разпознават и оценяват опасности, свързани с акумулаторната батерия. Децата могат да бъдат сериозно наранени.
 - ▶ Акумулаторната батерия да се съхранява извън обсега на деца.
- Акумулаторната батерия не е защитена срещу всички въздействия на околната среда. Ако акумулаторната батерия бъде подложена на неподходящи въздействия от околната среда, тя може да се повреди.
 - ▶ Акумулаторната батерия да се съхранява в чисто и сухо състояние.
 - ▶ Акумулаторната батерия да се съхранява в затворено помещение.
 - ▶ Акумулаторната батерия да се съхранява отделно от машината за рязане на дървесина и зарядното устройство.
 - ▶ Акумулаторната батерия да се съхранява в електрически непроеводима опаковка.
 - ▶ Съхранявайте акумулаторната батерия в температурния диапазон между - 20 °C и + 70 °C.

4.12.3 Зарядно устройство

▲ ПРЕДУПРЕЖДЕНИЕ

- Децата не могат да разпознаят и оценят опасности, свързани с зарядното устройство. Може да се стигне до сериозни наранявания на деца или дори до смърт.
 - ▶ Извадете акумулаторната батерия.
 - ▶ Зарядното устройство да се съхранява извън обсега на деца.
- Зарядното устройство не е защитено срещу всички въздействия на околната среда. Ако зарядното устройство бъде подложено на неподходящи въздействия от околната среда, то може да се повреди.
 - ▶ Извадете акумулаторната батерия.
 - ▶ Ако зарядното устройство се е загреало: охладете зарядното устройство.
 - ▶ Зарядното устройство да се съхранява в чисто и сухо състояние.
 - ▶ Зарядното устройство да се съхранява в затворено помещение.
 - ▶ Съхранявайте зарядното устройство в температурен диапазон между - 20 °C и + 70 °C.
- Захранващият кабел не е предвиден за носене или окачване на зарядното устройство. В резултат от това може да се повреди захранващия кабел и зарядното устройство.
 - ▶ Зарядното устройство се захваща и се държи за кожата. На зарядното устройство се намира жлебче за удобно повдигане на зарядното устройство.
 - ▶ Зарядното устройство се закача към стенния държач.

4.13 Почистване, поддръжка и ремонт

▲ ПРЕДУПРЕЖДЕНИЕ

- Ако по време на почистване, поддръжка и ремонт на машината за рязане на дървесина акумулаторната батерия е поставена, то машината за рязане на дървесина може да се включи по невнимание. Това може да доведе до тежко нараняване на хора и до материални щети.



- ▶ Извадете акумулаторната батерия.
- Агресивни почистващи препарати, почистване с водна струя или остри предмети могат да повредят машината за рязане на дървесина, направляващата шина, режещата верига, акумулаторната батерия и зарядното устройство. Ако машината за рязане на дървесина, направляващата шина, режещата верига, акумулаторната батерия и зарядното устройство не са почистени правилно, конструктивните части няма да функционират нормално, а предпазните устройства ще престанат да действат. Може да се стигне до сериозни наранявания на хората.
 - ▶ Машината за рязане на дървесина, направляващата шина, режещата верига, акумулаторната батерия и зарядното устройство да се почистват така, както е описано в настоящото ръководство за употреба.
- Ако поддръжката или ремонтът на машината за рязане на дървесина, направляващата шина, режещата верига, акумулаторната батерия и зарядното устройство не са извършени правилно, конструктивните части няма да функционират

нормално, а предпазните устройства ще престанат да действат. Може да се стигне до сериозни наранявания на хора или смърт.

- ▶ Не бива самостоятелно да извършвате поддръжка и ремонт на машината за рязане на дървесина, акумулаторната батерия и зарядното устройство.
- ▶ При необходимост от поддръжка и ремонт на машината за рязане на дървесина, акумулаторната батерия или зарядното устройство: обърнете се към специализиран търговски обект на STIHL.
- ▶ Поддръжка и ремонт на направляващата шина и режещата верига трябва да се извършват така, както е описано в това ръководство за употреба.
- По време на почистване или поддръжка на режещата верига има опасност ползвателят да се пореже от острите режещи зъби. Ползвателят може да получи нараняване.
 - ▶ Да се носят работни ръкавици от устойчив материал.

5 Подготовка на машината за рязане на дървесина за работа

5.1 Подготовка на машината за рязане на дървесина за работа

Преди започване на работа е необходимо да се извършат следните стъпки:

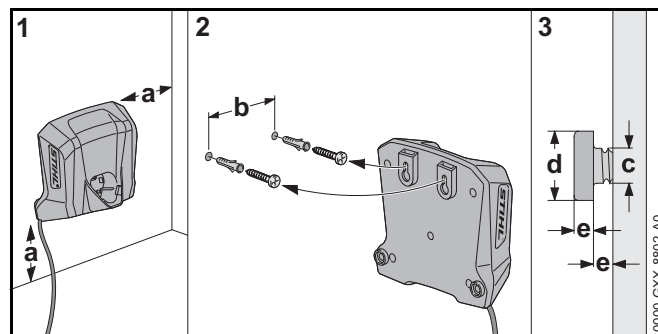
- ▶ Уверете се, че следните части се намират в състояние, отговарящо на изискванията за техническата безопасност:
 - Машината за рязане на дървесина, 4.6.1.
 - Направляваща шина, 4.6.2.
 - Режеща верига, 4.6.3.
 - Акумулаторна батерия, 4.6.4.
 - Зарядно устройство, 4.6.5.
- ▶ Проверете акумулаторната батерия, 10.6.
- ▶ Заредете докрай акумулаторната батерия, 6.2.

- ▶ Почистете машината за рязане на дървесина, 15.1.
- ▶ Монтирайте направляваща шина и режещата верига, 7.1.1.
- ▶ Опънете режещата верига, 7.2.
- ▶ Смажете режещата верига, 7.3.
- ▶ Проверете елементите на управлението, 10.5.
 - ▶ Ако по време на проверката на елементите за управление 3 светодиода мигат в червено: извадете акумулаторната батерия и се обърнете към специализиран търговски обект на STIHL. В машината за рязане на дървесина има неизправност.
- ▶ Ако тези стъпки не могат да се изпълнят: не използвайте машината за рязане на дървесина и се обърнете към специализиран търговски обект на STIHL.

6 Зареждане на акумулатора и светодиодите

6.1 Монтиране на зарядното устройство на стената

Зарядното устройство може да се монтира на стена.



- ▶ Зарядното устройство трябва да се монтира на стената така, че да са изпълнени следните условия:

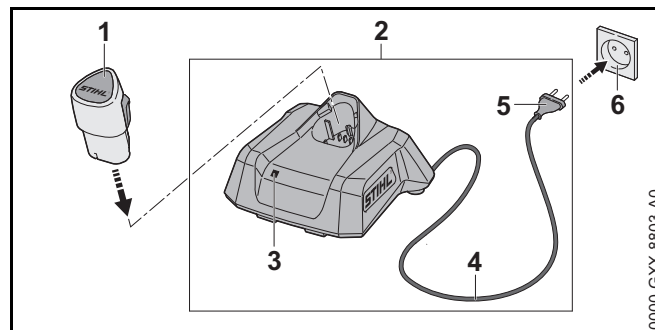
- Да се използва подходящ фиксиращ материал.
- Зарядното устройство трябва да стои хоризонтално.
- Следните размери са спазени:
 - a = минимум 100 mm
 - b = 54 mm
 - c = 4,5 mm
 - d = 9 mm
 - e = 2,5 mm

6.2 Зареждане на акумулаторната батерия

Времето на зареждане зависи от различни външни фактори, като например от температурата на акумулаторната батерия или от температурата на околната среда. Фактическото време на зареждане може да се различава от посоченото време. Времето за зареждане е посочено в линка www.stihl.com/charging-times.

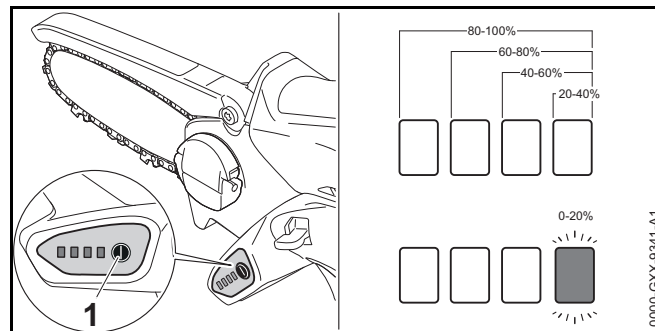
Когато щепселът за свързване с електрическата мрежа е вкаран в контакт и акумулаторната батерия е поставена в зарядното устройство, процесът на зареждане започва автоматично. Когато акумулаторната батерия се зареди напълно, зарядното устройство автоматично се изключва.

По време на зареждането акумулаторната батерия и зарядното устройство се нагряват.



- ▶ Вкарайте щепсела за свързване с електрическата мрежа (5) в лесно достъпен контакт за електрически ток (6).
Зарядното устройство (2) извършва автотест. Светодиодът (3) свети ок. 1 секунда в зелено и ок. 1 секунда в червено.
- ▶ Прокарайте захранващия кабел (4).
- ▶ Вкарайте акумулаторната батерия (1) във водачите на зарядното устройство (2) и я натиснете до упор. Светодиодът (3) свети или мига в зелено. Акумулаторната батерия (2) се зарежда.
- ▶ Ако светодиодът (3) вече не свети: акумулаторната батерия (1) е напълно заредена и може да бъде извадена от зарядното устройство (2).
- ▶ Ако зарядното устройство (2) вече не се използва: извадете мрежовия щепсел (5) от контакта (6).

6.3 Показване на състоянието на зареждане




- ▶ Поставете акумулаторната батерия.
- ▶ Натиснете бутона (1). Светодиодите светват в продължение на ок. 5 секунди в зелено и показват състоянието на зареждане.
- ▶ Ако десният светодиод мига в зелено: заредете акумулаторната батерия.

6.4 Светодиоди на машината за рязане на дървесина

Светодиодите могат да показват състоянието на зареждане или наличието на неизправности в акумулаторната батерия. Светодиодите могат да светят или да мигат в зелено или в червено.


Когато светодиодите светят или мигат в зелено, те показват състоянието на зареждане.

- ▶ Когато светодиодите светят или мигат в червено: отстранете неизправностите,  18. В машината за рязане на дървесина или в акумулаторната батерия има неизправност.

6.5 Светлинен диод на зарядното устройство

Светодиодът показва състоянието на зарядното устройство или неизправности. Светодиодът може да свети или да мига в зелено или в червено.

Ако светодиодът свети или мига в зелено, акумулаторната батерия се зарежда.

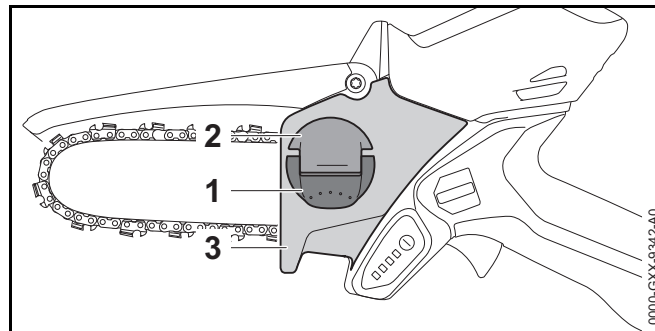
- ▶ Ако светодиодът свети или мига в червено: отстранете неизправностите,  18. В зарядното устройство или акумулаторната батерия има неизправност.

7 Сглобяване на машината за рязане на дървесина

7.1 Демонтиране и монтиране на направляващата шина и режещата верига


7.1.1 Демонтиране на направляващата шина и режещата верига

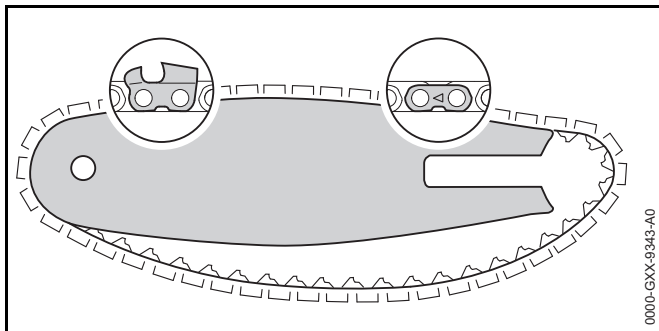
- ▶ Изключете машината за рязане на дървесина и извадете акумулаторната батерия.



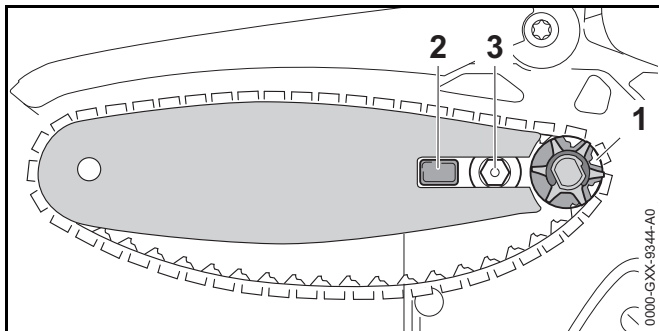
- ▶ Отметнете ръкохватката (1) на крилчатата гайка (2).
- ▶ Завъртайте крилчатата гайка (2) по посока, обратна на часовниковата стрелка, докато стане възможно да се свали капака на верижното зъбно колело (3).
- ▶ Свалете капака на верижното зъбно колело (3).
- ▶ Свалете направляващата шина и режещата верига.

7.1.2 Монтиране на направляващата шина и режещата верига

Комбинациите от направляваща шина и режеща верига, които са подходящи за верижното зъбно колело и могат да се монтират, са посочени в техническите характеристики,  20.1.



- ▶ Режещата верига така да се сложи в канала на направляващата шина така, че стрелките върху съединителните звена на режещата верига от горната им страна да сочат в посока на движението.



- ▶ Поставете направляващата шина с режещата верига на машината за рязане на дървесина така, че да са изпълнени следните условия:
 - Задвижващите звена на режещата верига са вкарани в зъбците на верижното зъбно колело (1).
 - Палецът (2) е в надлъжния отвор на направляващата шина.
 - Винтът с праг (3) е в надлъжния отвор на направляващата шина.

Ориентацията на направляващата шина не е от значение. Отпечатаният надпис върху направляващата шина може да бъде обърнат с главата надолу.

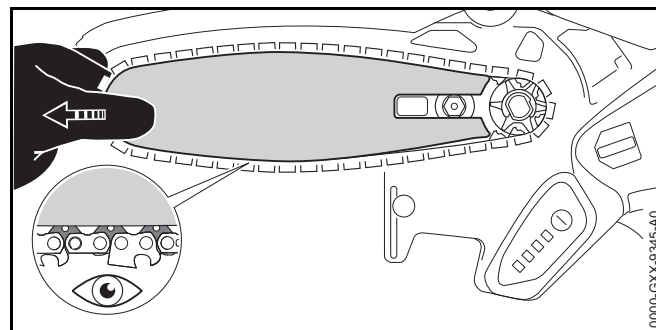
- ▶ Опънете режещата верига.

- ▶ Поставете капака на верижното зъбно колело на машината за рязане на дървесина така, че той да е в една равнина с машината за рязане на дървесина.
- ▶ Въртете крилчатата гайка по посока на часовниковата стрелка, докато капакът на верижното зъбно колело се закрепи здраво към машината за рязане на дървесина.
- ▶ Затворете ръкохватката на крилчатата гайка.

7.2 Опъване на режещата верига

По време на работа режещата верига се разтяга или се свива. Опъването на режещата верига се променя. По време на работа е необходимо редовно да се проверява опъването на режещата верига и при необходимост допълнително да се опъва.

- ▶ Изключете машината за рязане на дървесина и извадете акумулаторната батерия.



- ▶ Отметнете ръкохватката на крилчатата гайка.
- ▶ Завъртете крилчатата гайка с 2 оборота по посока, обратна на часовниковата стрелка. Крилчатата гайка е освободена.

ПРЕДУПРЕЖДЕНИЕ

Режещите зъби на режещата верига са остри. Ползвателят може да се пореже.

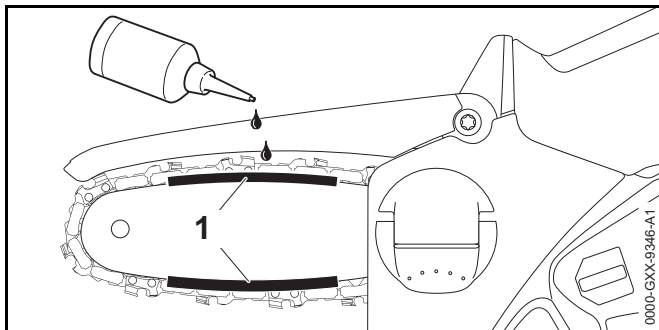
- ▶ Да се носят работни ръкавици от устойчив материал.

- ▶ Движете направляващата шина наляво или надясно дотогава, докато се изпълни следното условие:
 - Водещите звена на режещата верига се виждат до половината от долната страна на направляващата шина.
- ▶ Въртете крилчатата гайка по посока на часовниковата стрелка, докато капакът на верижното зъбно колело се закрепи здраво към машината за рязане на дървесина.
- ▶ Ако режещата верига все още може да се тегли с два пръста и минимално усилие над направляващата шина: режещата верига е опъната правилно.
- ▶ Ако водещите звена на режещата верига се виждат напълно от долната страна на направляващата шина: опънете отново режещата верига.
- ▶ Затворете ръкохватката на крилчатата гайка.

7.3 Смазване на режещата верига

Мултифункционалното масло STIHL Multioil Bio или аналогично, биоразградимо мултифункционално масло смазва и охлажда движещата се режеща верига.

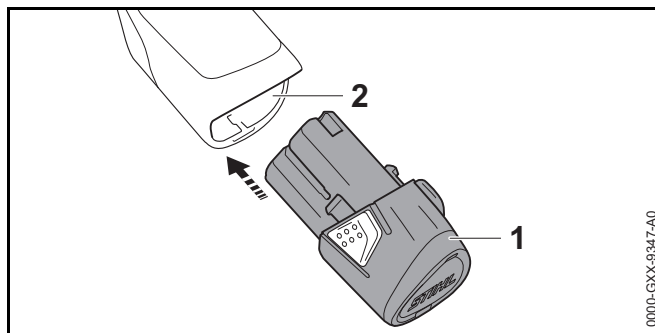
- ▶ Изключете машината за рязане на дървесина и извадете акумулаторната батерия.
- ▶ Поставете машината за рязане на дървесина върху плоска повърхност така, че капакът на верижното зъбно колело да сочи нагоре.
- ▶ Почистете направляващата шина и режещата верига с малка четчица, мека четка или с разтворителя за смола на STIHL.



- ▶ Нанесете мултифункционално масло в областта (1) между направляващата шина и режещата верига.
- ▶ Поставете акумулаторната батерия.
- ▶ Включете машината за рязане на дървесина. Мултифункционалното масло се разпределя върху режещата верига. Режещата верига е смазана.

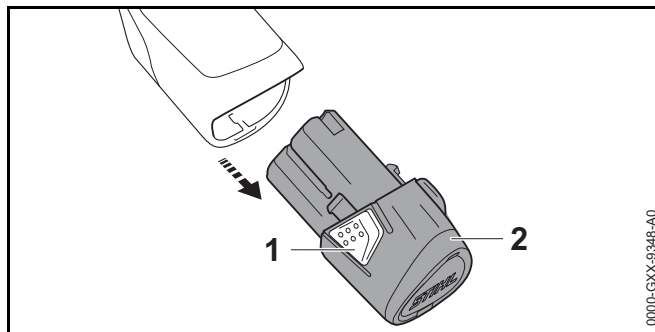
8 Поставяне и изваждане на акумулатора

8.1 Поставяне на акумулаторната батерия



- ▶ Натиснете акумулаторната батерия (1) до упор в приемния ѝ отвор (2). Акумулаторната батерия (1) се фиксира с щракване.

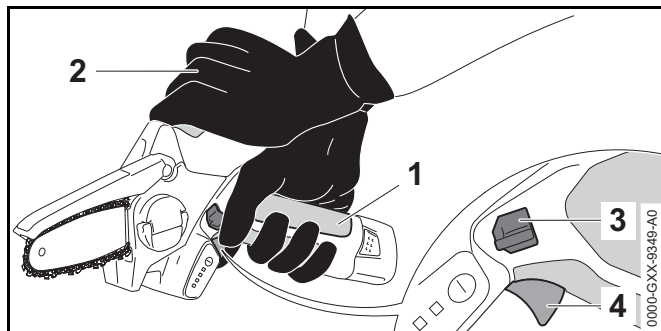
8.2 Изваждане на акумулаторната батерия



- ▶ Натиснете двете фиксиращи куки (1). Сега акумулаторната батерия (2) е деблокирана и може да се извади.

9 Включване и изключване на машината за рязане на дървесина

9.1 Включване на машината за рязане на дървесина



- ▶ Дръжте машината за рязане на дървесина с едната ръка в областта за хващане (1) на дръжката за управление така, че палецът да обхваща дръжката за управление.
- ▶ Дръжте и водете машината за рязане на дървесина с другата ръка за мястото за хващане (2).
- ▶ Натиснете блокиращия лост (3) с палеца и го задръжте натиснат.
- ▶ Натиснете лоста за ръчно включване/изключване (4) с показалеца и го дръжте натиснат. Машината за рязане на дървесина ускорява и режещата верига се задвижва. Блокиращият лост (3) може да бъде пуснат.

9.2 Изключване на машината за рязане на дървесина

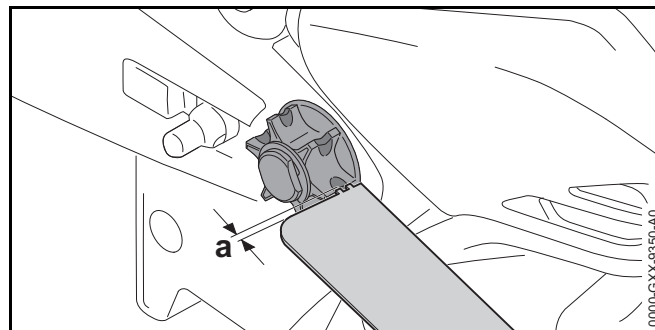
- ▶ Освободете лоста за ръчно включване/изключване. Режещата верига не се движи повече.

- ▶ Ако режещата верига продължава да се движи: извадете акумулаторната батерия и се обърнете към специализиран търговски обект на STIHL. Машината за рязане на дървесина е дефектна.

10 Проверка на машината за рязане на дървесина и на акумулаторната батерия

10.1 Проверка на верижното зъбно колело

- ▶ Изключете машината за рязане на дървесина и извадете акумулаторната батерия.
- ▶ Демонтирайте капака на верижното зъбно колело.
- ▶ Демонтирайте направляващата шина и режещата верига.

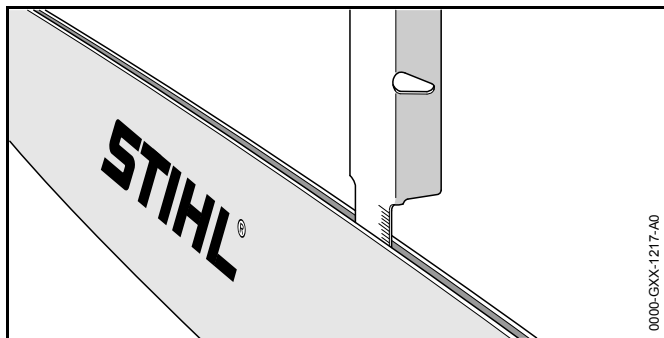


- ▶ Проверете за следи от износване на верижните зъбни колела с помощта на контролен шаблон на STIHL.
- ▶ Ако следите от износване са по-дълбоки от $a = 0,5 \text{ mm}$: не използвайте повече машината за рязане на дървесина и се обърнете към специализиран търговски обект на STIHL. Верижното зъбно колело подлежи на замяна.

10.2 Проверка на направляващата шина

- ▶ Изключете машината за рязане на дървесина и извадете акумулаторната батерия.

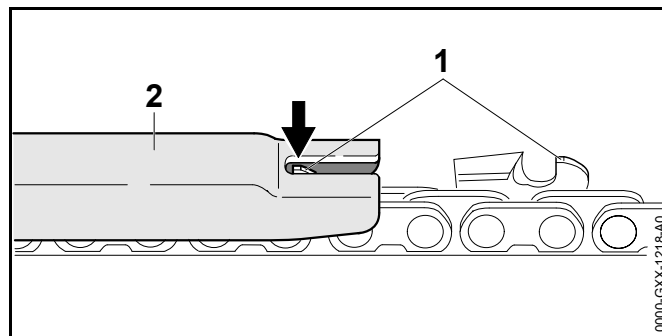
- ▶ Демонтирайте режещата верига и направляващата шина.



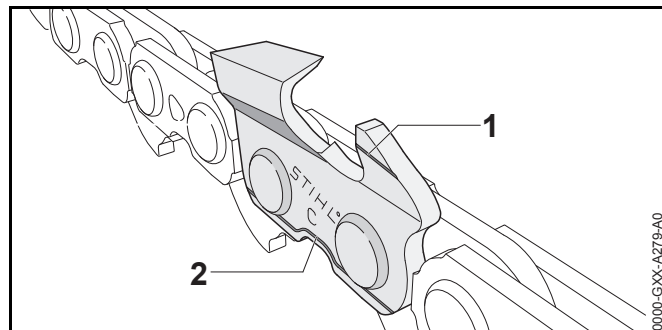
- ▶ Измерете дълбочината на канала на направляващата шина с мащаба на шаблона за заточване на STIHL.
- ▶ Сменете направляващата шина, ако са изпълнени следните условия:
 - Направляващата шина е повредена.
 - Измерената дълбочина на канала е по-малка от минималната дълбочина на канала на направляващата шина, 19.3.
 - Каналът на направляващата шина е стеснен или разширен.
- ▶ При съмнения се обърнете към специализиран търговски обект на STIHL.

10.3 Проверка на режещата верига

- ▶ Изключете машината за рязане на дървесина и извадете акумулаторната батерия.



- ▶ Измерете височината на ограничителя за дълбочина (1) с помощта на шаблона за заточване на STIHL (2). Шаблонът за заточване на STIHL трябва да пасва на стъпката на режещата верига.
- ▶ Ако ограничителят (1) стърчи извън шаблона (2): да са доизпили ограничителят (1), 16.1.



- ▶ Проверете дали маркировките за износване (1 и 2) на режещите зъби са видими.
- ▶ Ако маркировката за износване на някой от режещите зъби не се вижда: не използвайте повече режещата верига и се обърнете към специализиран търговски обект на STIHL.
- ▶ С помощта на шаблон за заточване на STIHL проверете дали ъгълът на заточване на режещите зъби е 30°. Шаблонът за заточване на STIHL трябва да пасва на стъпката на режещата верига.
- ▶ Ако ъгълът на заточване не е 30°: заточете режещата верига.

- ▶ При съмнения се обърнете към специализиран търговски обект на STIHL.

10.4 Проверка на предпазния капак

- ▶ Извадете акумулаторната батерия.



ПРЕДУПРЕЖДЕНИЕ

Режещите зъби на режещата верига са остри.
Ползвателят може да се пореже.

- ▶ Да се носят работни ръкавици от устойчив материал.

- ▶ Вдигнете предпазния капак нагоре и го пуснете. Предпазният капак се връща чрез пружината в изходната позиция.
- ▶ Ако предпазният капак е трудноподвижен и не се връща в изходната позиция: не използвайте машината за рязане на дървесина и се обърнете към специализиран търговски обект на STIHL. Предпазният капак е дефектен.

10.5 Проверка на елементите на управлението

Блокиращ лост и лост за ръчно включване/изключване

- ▶ Извадете акумулаторната батерия.
- ▶ Опитайте се да натиснете лоста за ръчно включване/изключване, без да натискате блокиращия лост.
- ▶ Ако лостът за ръчно включване/изключване се поддава на натиск: обърнете се към специализиран търговски обект на STIHL. Блокиращият лост е дефектен.
- ▶ Натиснете блокиращия лост и го задръжте натиснат.
- ▶ Натиснете лоста за ръчно включване/изключване и го отпуснете.
- ▶ Ако лостът за ръчно включване/изключване е трудноподвижен или не се връща в изходната позиция: не използвайте машината за рязане на дървесина и се обърнете към специализиран търговски обект на STIHL. Лостът за ръчно включване/изключване е дефектен.

Включване на машината за рязане на дървесина

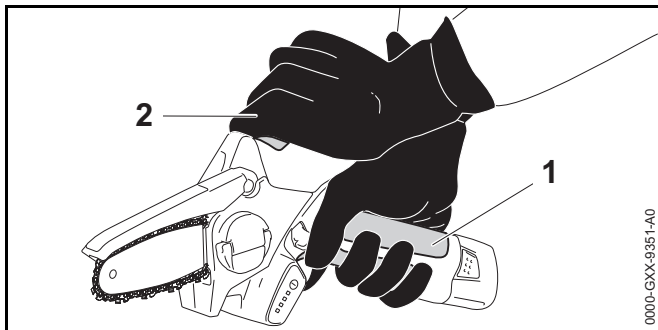
- ▶ Поставете акумулаторната батерия.
- ▶ Натиснете блокиращия лост и го задръжте натиснат.
- ▶ Натиснете лоста за ръчно включване/изключване и го задръжте натиснат. Режещата верига се движи.
- ▶ Ако 3 светодиода мигат в червено: извадете акумулаторната батерия и се обърнете към специализиран търговски обект на STIHL. В машината за рязане на дървесина има неизправност.
- ▶ Освободете лоста за ръчно включване/изключване. Режещата верига не се движи повече.
- ▶ Ако режещата верига продължава да се движи: извадете акумулаторната батерия и се обърнете към специализиран търговски обект на STIHL. Машината за рязане на дървесина е дефектна.

10.6 Проверете акумулаторната батерия

- ▶ Поставете акумулаторната батерия.
- ▶ Натиснете бутона на машината за рязане на дървесина. Светодиодите светят или мигат.
- ▶ Ако светодиодите не светят или не мигат: не използвайте машината за рязане на дървесина и акумулаторната батерия и се обърнете към специализиран търговски обект на STIHL. В машината за рязане на дървесина или в акумулаторната батерия има неизправност.

11 Работа с машината за рязане на дървесина

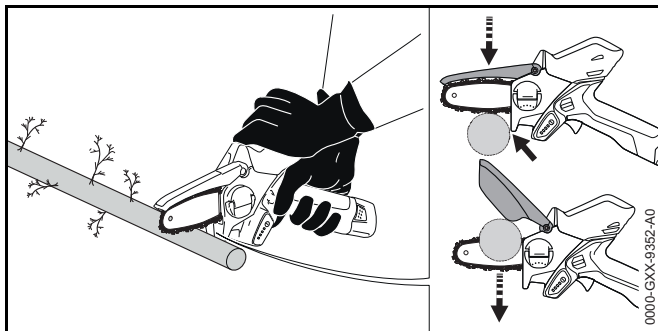
11.1 Държане и управление на машината за рязане на дървесина



- ▶ Дръжте и водете машината за рязане на дървесина с едната ръка в областта за хващане (1) на дръжката за управление така, че палецът да обхваща дръжката за управление.
- ▶ Дръжте и водете машината за рязане на дървесина с другата ръка за мястото за хващане (2).

11.2 Рязане

- ▶ Вкарайте направляващата шина с пълна газ в среза.



- ▶ Наместете опората и я използвайте като точка на завъртане.

- ▶ Прекарвайте направляващата шина изцяло през дървения материал.
- ▶ В края на среза поемете тежестта на машината за рязане на дървесина.
- ▶ Режете клони един по един.

12 След работа

12.1 След работа

- ▶ Изключете машината за рязане на дървесина и извадете акумулаторната батерия.
- ▶ Ако машината за рязане на дървесина е мокра: оставете машината за рязане на дървесина да изсъхне.
- ▶ Ако акумулаторната батерия е мокра: оставете акумулаторната батерия да изсъхне.
- ▶ Почистете машината за рязане на дървесина.
- ▶ Почистете направляващата шина и режещата верига.
- ▶ Избутайте предпазителя за веригата върху направляващата шина така, че да покрие цялата шина.
- ▶ Почистете акумулаторната батерия.

13 Транспортиране

13.1 Транспортиране на машината за рязане на дървесина

- ▶ Изключете машината за рязане на дървесина и извадете акумулаторната батерия.
- ▶ Избутайте предпазителя на веригата върху направляващата шина така, че да покрие цялата направляваща шина.

Носене на машината за рязане на дървесина

- ▶ Носете машината за рязане на дървесина с едната ръка за дръжката за управление по такъв начин, че направляващата шина да сочи надолу.

Транспортиране на машината за рязане на дървесина в превозно средство

- ▶ Транспортирайте машината за рязане на дървесина в доставената чанта.
- ▶ Закрепете чантата по такъв начин, че чантата да не може да се преобърне или да се премести.
- ▶ Ако в обема на доставката не се съдържа чанта: обезопасете машината за рязане на дървесина така, че да машината за рязане на дървесина да не може да се преобърне или измести.

13.2 Транспортиране на акумулаторната батерия

- ▶ Изключете машината за рязане на дървесина и извадете акумулаторната батерия.
- ▶ Убедете се, че акумулаторната батерия се намира в състояние, съответстващо на изискванията за техническа безопасност.
- ▶ Опаковайте акумулаторната батерия в доставената чанта.
- ▶ Ако в обема на доставката не се съдържа чанта: опаковайте акумулаторната батерия така, че да са изпълнени следните изисквания:
 - Опаковката е електрически непроводима.
 - Акумулаторната батерия не може да се движи в опаковката.
- ▶ Подсигурете опаковката така, че да не може да се движи.

Акумулаторната батерия подлежи на изискванията за транспортиране на опасни товари. Акумулаторната батерия е класифицирана като UN 3480 (литиево-йонни батерии) и е изпитана в съответствие с Ръководството на ООН „Изпитвания и критерии, част III, подраздел 38.3“.

Правилата за транспортиране са посочени на www.stihl.com/safety-data-sheets.

13.3 Транспортиране на зарядното устройство

- ▶ Извадете щепсела за свързване с електрическата мрежа от контакта.
- ▶ Извадете акумулаторната батерия.
- ▶ Развийте захранващия проводник и го закрепете към зарядното устройство.
- ▶ Ако зарядното устройство се транспортира в превозно средство:
 - ▶ Транспортирайте зарядното устройство в доставената чанта.
 - ▶ Закрепете чантата по такъв начин, че чантата да не може да се преобърне или да се премести.
 - ▶ Ако в обема на доставката не се съдържа чанта: обезопасете зарядното устройство с обтяжни колани, ремъци или мрежа така, че зарядното устройство да не може да се преобърне или измести.

14 Съхранение**14.1 Съхранение на машината за рязане на дървесина**

- ▶ Изключете машината за рязане на дървесина и извадете акумулаторната батерия.
- ▶ Избутайте предпазителя за веригата върху направляващата шина така, че да покрие цялата шина.
- ▶ Съхранявайте машината за рязане на дървесина така, че да бъдат изпълнени следните условия:
 - Машината за рязане на дървесина да се намира извън обсега на деца.
 - Машината за рязане на дървесина е чиста и суха.
 - Режещата верига е смазана.

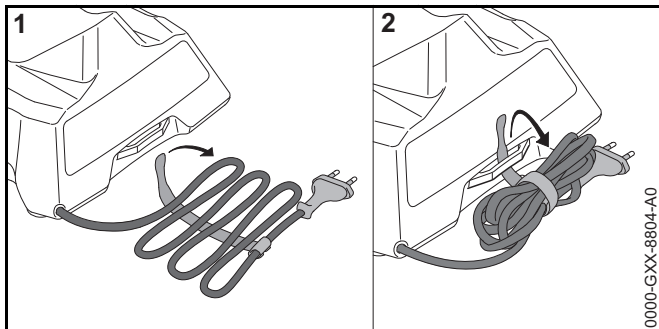
14.2 Съхраняване на акумулаторната батерия

STIHL препоръчва акумулаторната батерия да се съхранява в състояние на зареждане между 40 % и 60 % (2 светещи в зелено светодиода).

- ▶ Акумулаторната батерия да се съхранява така, че да бъдат изпълнени следните условия:
 - Акумулаторната батерия да се намира извън обсега на деца.
 - Акумулаторната батерия е чиста и суха.
 - Акумулаторната батерия да се намира в затворено помещение.
 - Акумулаторната батерия трябва да се съхранява отделно от машината за рязане на дървесина и от зарядното устройство.
 - Акумулаторната батерия е поставена в електрически непроводима опаковка.
 - Акумулаторната батерия се намира в температурен диапазон между - 20 °C и + 60 °C.

14.3 Съхраняване на зарядното устройство

- ▶ Извадете щепсела за свързване с електрическата мрежа от контакта.
- ▶ Извадете акумулаторната батерия.



- ▶ Развийте захранващия проводник и го закрепете към зарядното устройство.
- ▶ Зарядното устройство да се съхранява така, че да бъдат изпълнени следните условия:
 - Зарядното устройство се намира извън обсега на деца.
 - Зарядното устройство е чисто и сухо.
 - Зарядното устройство се намира в затворено помещение.

- Зарядното устройство е разединено от акумулаторната батерия.
- Зарядното устройство не е закачено на захранващия кабел.
- Зарядното устройство се намира в температурен диапазон между - 20 °C и + 60 °C.

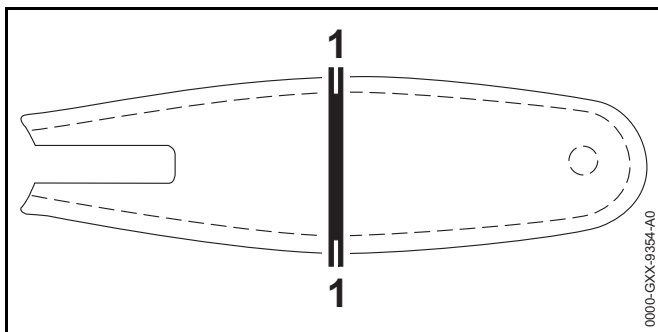
15 Почистване

15.1 Почистване на машината за рязане на дървесина

- ▶ Изключете машината за рязане на дървесина и извадете акумулаторната батерия.
- ▶ Почистете машината за рязане на дървесина с влажна кърпа или с разтворителя за смола на STIHL.
- ▶ Демонтирайте капака на верижното зъбно колело.
- ▶ Почистете участъка около верижното зъбно колело с влажна кърпа или с разтворителя за смола на STIHL.
- ▶ Извадете чуждите тела от приемния отвор на акумулатора и почистете вътрешността на отвора с влажна кърпа.
- ▶ Почистете електрическите контакти в приемния отвор на акумулатора с мека четка.
- ▶ Монтирайте капака на верижното зъбно колело.

15.2 Почистване на направляващата шина и режещата верига

- ▶ Изключете машината за рязане на дървесина и извадете акумулаторната батерия.
- ▶ Демонтирайте направляващата шина и режещата верига.



- ▶ Почистете канала (1) с малка четчица, мека четка или с разтворителя за смола на STIHL.
- ▶ Почистете режещата верига с малка четчица, мека четка или с разтворителя за смола на STIHL.
- ▶ Монтирайте направляващата шина и режещата верига.
- ▶ Смажете режещата верига.

15.3 Почистване на акумулатора

- ▶ Почистете акумулатора (батерията) с влажна кърпа.

15.4 Почистване на зарядното устройство

- ▶ Извадете щепсела за свързване с електрическата мрежа от контакта.
- ▶ Почистете зарядното устройство с влажна кърпа.
- ▶ Почистете електрическите контакти на зарядното устройство с мека четка.

16 Поддръжка /обслужване

16.1 Заточване на режещата верига

За правилното заточване на режещата верига се изисква много тренинг.

Пилите на STIHL, помощните средства за пилене на STIHL, заточващите уреди на STIHL и брошурата "Заточване на режещите вериги на STIHL", ще Ви

помогнат правилно да заточите режещата верига. Можете да намерите брошурата на www.stihl.com/sharpening-brochure.

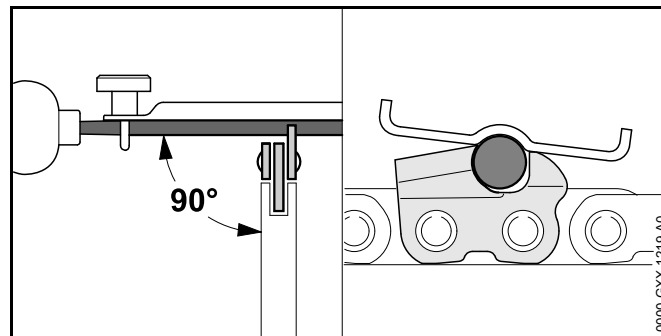
STIHL препоръчва режещите вериги да се предават за заточване в специализиран търговски обект на STIHL.



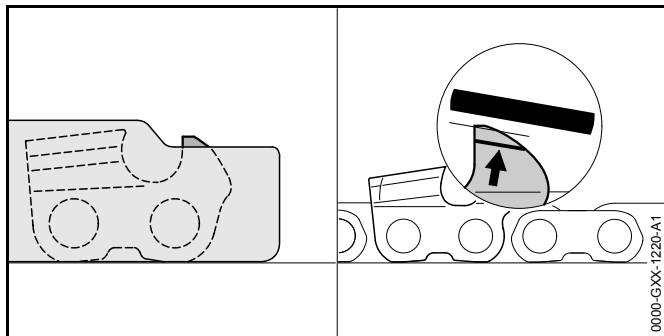
ПРЕДУПРЕЖДЕНИЕ

Режещите зъби на веригата са остри. Ползвателят може да се пореже.

- ▶ Да се носят работни ръкавици от устойчив материал.



- ▶ Всеки режещ зъб да се изпили с кръгла пила по такъв начин, за да са изпълнени следните условия:
 - Кръглата пила да подхожда към стъпката на режещата верига.
 - Кръглата пила се води отвътре навън.
 - Кръглата пила се води под прав ъгъл към направляващата шина.
 - Спазвайте ъгъл на точене от 30°.



- ▶ Ограничителите за дълбочината така се изпилват с плоска пила, че да се намират в една равнина с шаблона за заточване на STIHL и успоредно към маркировката за износване. Шаблонът за заточване на STIHL трябва да пасва към стъпката на режещата верига.
- ▶ При съмнения и въпроси обърнете се към специализиран търговски обект на STIHL.

17 Ремонт

17.1 Ремонтване на машината за рязане на дървесина, акумулаторната батерия и зарядното устройство

Ползвателят не може сам да извършва ремонт на машината за рязане на дървесина, направляващата шина, режещата верига, акумулаторната батерия и зарядното устройство.


- ▶ Ако машината за рязане на дървесина, направляващата шина или режещата верига са повредени: не използвайте машината за рязане на дървесина, направляващата шина или режещата верига и се обърнете към специализиран търговски обект на STIHL.
- ▶ Ако акумулаторната батерия е дефектна или повредена: сменете акумулаторната батерия.

- ▶ Ако зарядното устройство е дефектно или повредено: сменете зарядното устройство.
- ▶ Ако хранящият кабел е дефектен или повреден: зарядното устройство да не се използва и хранящият кабел да се даде за смяна в специализиран търговски обект на фирма STIHL.

18 Отстраняване на неизправности

18.1 Отстраняване на неизправности на машината за рязане на дървесина или на акумулаторната батерия

Неизправност	Светодиоди на машината за рязане на дървесина	Причина	Начин на отстраняване
При включване машината за рязане на дървесина не тръгва.	1 светодиод мига в зелено.	Нивото на зареждане на акумулаторната батерия е твърде ниско.	▶ Заредете акумулаторната батерия.
	1 светодиод свети в червено.	Акумулаторната батерия е силно загряла или силно се е охладила.	▶ Извадете акумулаторната батерия. ▶ Оставете акумулаторната батерия да се охлади или я загрейте.
	3 светодиода мигат в червено.	В машината за рязане на дървесина има неизправност.	▶ Извадете акумулаторната батерия. ▶ Почистете електрическите контакти в приемното гнездо на акумулаторната батерия. ▶ Поставете акумулаторната батерия. ▶ Включете машината за рязане на дървесина. ▶ Ако 3 светодиода продължават да мигат в червено: не използвайте повече машината за рязане на дървесина и се обърнете към специализиран търговски обект на STIHL.
	3 светодиода светят в червено.	Машината за рязане на дървесина е прекалено гореща.	▶ Извадете акумулаторната батерия. ▶ Оставете машината за рязане на дървесина да се охлади.
	4 светодиода мигат в червено.	В акумулаторната батерия има неизправност.	▶ Извадете акумулаторната батерия и отново я поставете. ▶ Включете машината за рязане на дървесина. ▶ Ако 4 светодиода продължават да мигат в червено: не използвайте повече акумулаторната батерия и се обърнете към специализиран търговски обект на STIHL.

Неизправност	Светодиоди на машината за рязане на дървесина	Причина	Начин на отстраняване
		Електрическата връзка между машината за рязане на дървесина и акумулаторната батерия е прекъсната.	<ul style="list-style-type: none"> ▶ Извадете акумулаторната батерия. ▶ Почистете електрическите контакти в приемното гнездо на акумулаторната батерия. ▶ Поставете акумулаторната батерия.
		Машината за рязане на дървесина или акумулаторната батерия са влажни.	▶ Оставете машината за рязане на дървесина или акумулаторната батерия да изсъхнат.
		Режещата верига е заклецена.	<ul style="list-style-type: none"> ▶ Извадете акумулаторната батерия. ▶ Почистете машината за рязане на дървесина,  15.1.
Машината за рязане на дървесина се самоизключва по време на работа.	3 светодиода светят в червено.	Машината за рязане на дървесина е прекалено гореща.	<ul style="list-style-type: none"> ▶ Извадете акумулаторната батерия. ▶ Оставете машината за рязане на дървесина да се охлади.
		Има електрическа повреда.	<ul style="list-style-type: none"> ▶ Извадете акумулаторната батерия и отново я поставете. ▶ Включете машината за рязане на дървесина.
Производителността на рязане на машината за рязане на дървесина отслабва.	1 светодиод мига в зелено.	Нивото на зареждане на акумулаторната батерия е твърде ниско.	▶ Заредете акумулаторната батерия.
		Режещата верига не е заточена правилно.	▶ Заточете правилно режещата верига.
		Режещата верига е обтегната твърде силно.	▶ Опънете правилно режещата верига.

Неизправност	Светодиоди на машината за рязане на дървесина	Причина	Начин на отстраняване
		Смазването на веригата не е достатъчно.	▶ Смажете режещата верига.
Времето на работа на машината за рязане на дървесина е твърде кратко.		Акумулаторната батерия не е заредена напълно.	▶ Заредете акумулаторната батерия докрай.
		Надхвърлен е експлоатационният живот на акумулаторната батерия.	▶ Сменете акумулаторната батерия.

18.2 Отстраняване на неизправности в зарядното устройство

Неизправност	Светлинен диод на зарядното устройство	Причина	Начин на отстраняване
Акумулаторът не се зарежда.	Светодиодът свети в червено.	Акумулаторната батерия е силно загряла или силно се е охладила.	▶ Да се остави акумулаторната батерия вътре в зарядното устройство. Процесът на зареждане стартира автоматично щом се достигне допустимият температурен диапазон.
	Светодиодът мига в червено.	Прекъсната е електрическата връзка между зарядното устройство и акумулатора.	▶ Извадете акумулаторната батерия. ▶ Почистете електрическите контакти в зарядното устройство. ▶ Поставете акумулаторната батерия.

Неизправност	Светлинен диод на зарядното устройство	Причина	Начин на отстраняване
		В зарядното устройство няма неизправности.	▶ Не използвайте повече зарядното устройство и се обърнете към сътрудник в специализиран търговски обект на STIHL.
		В акумулаторната батерия има неизправност.	▶ Не използвайте акумулаторната батерия и се обърнете към специализиран търговски обект на STIHL.
Зарядното устройство не извършва автотест.	Светодиодът не свети в продължение на ок. 1 секунда в зелено и ок. 1 секунда в червено.	Електрическата връзка към зарядното устройство е свързана на късо.	<ul style="list-style-type: none"> ▶ Извадете щепсела за свързване с електрическата мрежа от контакта. ▶ Изчакайте 1 минута. ▶ Вкарайте мрежовия щепсел в контакта.

19 Технически данни

19.1 Машина за рязане на дървесина STIHL GTA 26

- Подходяща акумулаторна батерия: STIHL AS
- Тегло без акумулаторна батерия, с направляваща шина и режеща верига: 1,2 kg

Продължителността на работа е посочена на www.stihl.com/battery-life.

19.2 Верижни зъбни колела

Могат да се използват следните верижни зъбни колела:

- 6-зъбно за 1/4" P

19.3 Минимална дълбочина на канала на направляващата шина.

Минималната дълбочина на канала зависи от стъпката на шината.

- 1/4" P: 4 mm

19.4 Акумулаторна батерия STIHL AS

- Технология на акумулаторните батерии: литиево-йонна
- Напрежение: 10,8 V
- Капацитет в Ah: виж заводската табелка
- Енергийно съдържание в Wh: виж заводската табелка
- Тегло в kg: виж заводска табелка
- Допустим температурен диапазон за използване и съхраняване: от - 20 °C до + 50 °C

Употребата на машината за рязане на дървесина при температура, по-ниска от 0 °C или по-висока от + 30 °C може да съкрати продължителността на живот на

акумулаторната батерия и да намали производителността на машината за рязане на дървесина.

19.5 Зарядно устройство STIHL AL 1

- Номинално напрежение: виж табелката с данни
- Честота: виж табелката с данни
- Номинална мощност: виж табелката с данни
- Електрически ток за зареждане: виж табелката с данни
- Допустим температурен диапазон за използване и съхраняване: - 20 °C до + 50 °C
- Максимално енергийно съдържание на допустимата акумулаторна батерия STIHL AS: 12,5 Ah

Времето на зареждане е посочено в линка www.stihl.com/charging-times.

Ако зарядното устройство се използва при температура, по ниска от + 5 °C или по-висока от + 30 °C, времето за зареждане могат да се удължат.

19.6 Удължителни проводници

Когато се използва удължителен проводник, жиците му в зависимост от напрежението и дължината на проводника трябва да имат поне следните сечения:

Ако номиналното напрежение върху табелката с данни е 220 V до 240 V:

- дължина на проводника до 20 m: AWG 15 / 1,5 mm²
- дължина на проводника от 20 m до 50 m: AWG 13 / 2,5 mm²

Ако номиналното напрежение върху табелката с данни е 100 V до 127 V:

- дължина на проводника до 10 m: AWG 14 / 2,0 mm²
- дължина на проводника от 10 m до 30 m: AWG 12 / 3,5 mm²

19.7 Акустични и вибрационни стойности

Коефициентът К за нивото на звуковото налягане възлиза на 2 dB(A). Коефициентът К за нивото на звукова мощност възлиза на 2 dB(A). Коефициентът К за вибрационните стойности възлиза на 2 m/s².

STIHL препоръчва да се носят антифони (защита на слуха).

- Ниво на звуково налягане L_{pA} , измерено съгласно EN 60745-2-13: 77 dB(A)
- Ниво на звукова мощност L_{WA} , измерено съгласно EN 60745-2-13: 86 dB(A)
- Вибрационна стойност a_{NV} , измерена съгласно EN 60745-2-13:
 - Дръжка за управление: 2,8 m/s²
 - Място за хващане: 2,9 m/s.

Посочените вибрационни стойности са измерени по стандартизиран метод на изпитване и могат да бъдат използвани за сравнение на електрически уреди. Действително възникващите вибрационни стойности могат да се различават от посочените стойности, в зависимост от начина на приложение. Посочените вибрационни стойности могат да бъдат използвани за първоначална оценка на вибрационното натоварване. Действителното вибрационно натоварване трябва да бъде оценено. При това могат да се вземат под внимание също и периодите от време, през които електроуредът е изключен, както и тези, през които той е включен, но работи без натоварване.

Информация относно изпълнението на директивата за работодатели относно вибрациите 2002/44/ЕО можете да намерите на www.stihl.com/vib.

19.8 REACH

Съкращението "REACH" обозначава регламента на ЕГ (Европ. общност) за регистриране, анализ и допустимост на химическите препарати.

Информацията за изпълнение на регламента REACH е посочена по-долу www.stihl.com/reach.

20 Комбинации от направляваща шина и режеща верига

20.1 Машина за рязане на дървесина STIHL GTA 26

Стъпка на веригата	Дебелина на задвижващото звено/широчина на канала	Дължина	Направляваща шина	Брой зъби на направляващата звезда	Брой на задвижващите звена	Режеща верига
1/4" P	1,1 mm	10 cm	Light	-	28	71 PM3 (тип 3670)

Дължината на рязане на направляващата шина зависи от използваната машина за рязане на дървесина и от режещата верига. Действителната дължина на рязане на направляващата шина може да бъде по-малка от посочената дължина.

21 Резервни части и принадлежности

21.1 Резервни части и принадлежности

STIHL С тези символи се обозначават оригинални резервни части и оригинални принадлежности на STIHL.

Фирма STIHL препоръчва да се използват оригинални резервни части и оригинални принадлежности на STIHL.

Оригинални резервни части и оригинални принадлежности STIHL се предлагат от специализиран търговски обект на STIHL.

22 Отстраняване /изхвърляне

22.1 Изхвърляне на машината за рязане на дървесина, акумулаторната батерия и зарядното устройство

Информация, отнасяща се до изхвърлянето, може да се получи от специализиран търговски обект на STIHL.

- ▶ Машината за рязане на дървесина, направляващата шина, режещата верига, акумулаторната батерия, зарядното устройство, принадлежностите и опаковката се изхвърлят в съответствие със съществуващите изисквания и по начин, не замърсяващ околната среда.

23 Декларация на ЕС (EU) за съответствие

23.1 Машина за рязане на дървесина STIHL GTA 26

ANDREAS STIHL AG & Co. KG
Badstraße 115
D-71336 Waiblingen

Германия

декларира на своя собствена отговорност, че

- Вид: машина за рязане на дървесина
- Фабрична марка: STIHL
- Тип: GTA 26
- Серийна идентификация: GA01

отговаря на приложимите разпоредби на директивите 2011/65/ЕС, 2006/42/ЕО, 2014/30/ЕС и 2000/14/ЕО и е разработена и конструирана съгласно валидните към датата на производство версии на следните стандарти: EN 55014-1, EN 55014-2, EN 62841-1.

Изпитването на типов образец на ЕО съгласно директива 2006/42/ЕО, чл. 12.3(b) е извършено от: Институт за изпитване и сертифициране VDE (NB 0366), Merianstraße 28, 63069 Offenbach,, Германия

- Номер на сертификата: 40050017

За определяне на измереното и на гарантираното максимално ниво на звукова мощност се процедира съгласно директива 2000/14/ЕО, приложение V.

- Измерено ниво на звукова мощност: 88 dB(A)
- Гарантирано максимално ниво на звука (ниво на звуковата мощност): 90 децибела /dB(A)

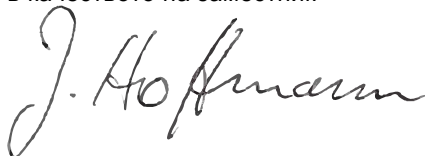
Техническата документация се съхранява в отдел Одобрение на продукти на ANDREAS STIHL AG & Co. KG.

Годината на производство, страната на производство и машинният номер са посочени върху машината за рязане на дървесина.

Вайблинген, 03.02.2020

ANDREAS STIHL AG & Co. KG

в качеството на заместник



Dr. Jürgen Hoffmann, ръководител на отдел Данни за продукти, предписания и разрешения

23.2 Указание за конформитет на зарядното устройство STIHL AL 1

Това зарядно устройство е произведено и внесено на пазара съгласно следните директиви: 2014/35/ЕО, 2014/30/ЕО и 2011/65/ЕО.

Годината на производство, страната на производство и машинният номер са посочени върху зарядното устройство.

Пълният текст на ЕС Декларацията за съответствие може да се получи от фирма ANDREAS STIHL AG & Co. KG, Badstraße 115, 71336 Waiblingen, Германия.

24 Общи указания за безопасност за електрически инструменти

24.1 Въведение

Този раздел предава съдържанието на текста на предварително формулираните в европейския норматив EN/IEC 62841 общи указания за безопасност на ръчно управлявани, задвижвани с двигател електрически инструменти.

STIHL трябва да отпечата тези текстове.

Указанията за безопасност за предотвратяване на електрически удар, които са посочени в "Електрическа безопасност", не са приложими за задвижваните с акумулаторна батерия изделия на STIHL.

ПРЕДУПРЕЖДЕНИЕ

Прочетете внимателно всички указания за безопасност, инструкции, илюстрации и технически данни, с които е оборудван електроинструмента. Всякакви пропуски при спазването на инструкциите по-долу могат да причинят електрически удар, пожар и/или тежки наранявания. Съхранявайте указанията и инструкциите за безопасност на сигурно място за по-нататъшна употреба.

Понятието "електроинструмент", използвано при указанията за безопасност се отнася за електроинструменти, задвижвани с ток от електрическата мрежа (с кабел за електрическо захранване от мрежата) и за електроинструменти, задвижвани с акумулаторна батерия (без кабел за електрическо захранване от мрежата).

24.2 Безопасност на работното място

- Поддържайте работното място (района на работа) винаги чисто и добре осветено.** Безредие или неосветени работни места могат да доведат до злополука.
- Не работете с електроинструмента в застрашена от експлозия среда, в която се намират възпламеняеми се течности, газове или запалим прах.** Електроинструментите образуват искри, които могат да възпламенят праха или изпаренията.
- По време на използването на електроинструмента до него не бива да се доближават деца и други лица – дръжте тези надалеч.** При отклоняване на вниманието можете да загубите контрол върху апарата.

24.3 Електрическа безопасност

- Щепселът за връзка на електрическия инструмент с мрежата трябва да съответства на контакта. Щепселът не бива да се променя по какъвто и да било начин. Никога не използвайте адапторни щепсели**

заедно със заземени електрически инструменти.

Непроменените щепсели и съответстващите контакти намаляват риска от електрически токов удар.

- b) **Избягвайте контакта на каквато и да е част от тялото Ви със заземени повърхности като тези на тръби, отоплителни тела (радиатори), електрически печки и хладилници.** Ако тялото Ви е заземено, съществува повишен риск от удар с електрически ток.
- c) **Пазете електрическите инструменти от дъжд или влага.** Проникването на вода в електрическия инструмент води до повишен риск от удар с електрически ток.
- d) **Не използвайте нецелесъобразно проводника като например за носене или закачане на електрическия инструмент, или за изтегляне на щепсела от контакта.** Пазете проводника от нагряване, масло, остри ръбове или от движещите се части на апарата. Повредените или заплетени /усукани проводници водят до повишен риск от удар с електрически ток.
- e) **Ако работите с електрическия инструмент на открито, използвайте само удължителни кабели, които са подходящи за работа навън.** Употребата на удължителен кабел, който е подходящ за работа навън, намалява риска от електрически токов удар.
- f) **Ако не може да се избегне работата с електрическия инструмент във влажна /мокра среда, трябва да използвате защитен прекъсвач с диференциална защита срещу недопустим утечен ток.** Употребата на защитния прекъсвач с диференциална защита срещу недопустимия утечен ток намалява риска от електрически токов удар.

24.4 Безопасност на хора

- a) **Бъдете предпазливи, внимавайте какво правите и извършвайте с разум работата с електрическия инструмент.** Никога не използвайте електрическия инструмент, ако сте уморени или се намирате под влиянието на наркотици, алкохол или медикаменти.

Дори и само един миг на невнимание при употребата на електрическия инструмент може да доведе до сериозни наранявания.

- b) **Носете лично предпазно оборудване и винаги предпазни очила.** Носенето на лично предпазно оборудване като прахозащитна маска, защитни обувки с предпазващи от хлъзгане подметки с грайфери, предпазна каска или антифони за защита на слуха, според вида и начина на използване на електрическия инструмент, намалява риска от наранявания.
- c) **Избягвайте неволно пускане на машината в действие.** **Обезателно проверете, за да сте сигурни, че електрическият инструмент е изключен, преди да го включите към мрежата за електрическо захранване и/или към акумулаторната батерия, преди да го хванете или носите.** Ако по време на пренасяне на електрическия инструмент държите пръста си на превключвателя или ако свържете апарата във включено състояние към мрежата за електрическо захранване, това може да доведе до злополуки.
- d) **Преди да включите електрическия инструмент, отстранете всички приспособления за настройка или гаечни ключове.** Ако в някоя въртяща се част на апарата се намира инструмент или ключ, това може да доведе до наранявания.
- e) **Избягвайте необичайни положения на тялото.** **Грижете се винаги да заемате сигурна и стабилна стойка и поддържайте равновесието си по всяко време.** По този начин можете да контролирате електрическия инструмент в неочаквани ситуации.
- f) **Носете подходящо облекло. Не носете широки дрехи, нито украшения.** Пазете косите си и облеклото надалеч от въртящите се части на апарата. Свободно падащите дрехи, украшенията или дългите коси могат да се закачат във въртящите се части на апарата.
- g) **Ако могат да бъдат монтирани устройства за прахосмучене или улавяне на прах, те трябва да се свържат и правилно да се използват.** Използването на прахосмукане може да намали опсностите, причинени от запрашаване.

h) **Не проявявайте небрежност по отношение на безопасността и не пренебрегвайте правилата за техническа безопасност, дори ако след многократна употреба на електрическия инструмент вече го познавате добре.** Небрежното поведение може за броени части от секундата да доведе до тежки наранявания.

24.5 Използване и бравене с електрическия инструмент

- a) **Не претоварвайте апарата.** При работа използвайте **предназначения за това електрически инструмент.** С подходящия електрически инструмент се работи по-добре и по-сигурно (безопасно) в дадения обхват на мощност.
- b) **Не използвайте електрическия инструмент, ако превключвателят му е дефектен.** Ако електрическият инструмент не може вече да се включва или изключва, той е опасен и трябва да се ремонтира.
- c) **Винаги изваждайте щепсела от контакта и/или отстранявайте сменяемата акумулаторна батерия преди да предприемате настройки по апарата, преди да смените частите на работния инструмент или оставяте електрическия инструмент на съхранение.** Тази предпазна мярка предотвратява неволно задействане на електрическия инструмент.
- d) **Съхранявайте електрическия инструмент, които не се ползват в момента, далеч от достъп на деца.** Не позволявайте апаратът да се използва от лица, които не са запознати подробно с него или не са прочели тези инструкции. Електрическите инструменти са опасни, ако се използват от неопитни лица.
- e) **Поддържайте грижливо електрическите инструменти и принадлежностите.** Контролирайте редовно дали движещите се части са в изправност и дали не заяждат, дали няма счупени части или части, които са така повредени, че да пречат на функцията на електрическия инструмент. Давайте за ремонт повредените части преди да използвате

електрическия инструмент. Много злополуки се причиняват от лошо поддържани електрически инструменти.

- f) **Поддържайте електрическите инструменти винаги остри и чисти.** Грижливо поддържаните режещи инструменти с остри режещи ръбове се заклещват (заяждат) по-малко и се управляват по-лесно.
- g) **Използвайте електрическия инструмент, работния инструмент, работните инструменти и пр. съгласно посочените тук инструкции.** При това съблюдавайте условията на работа и извършваната дейност. Използването на електрическите инструменти за други освен предвидените за тях цели и приложения, може да доведе до опасни ситуации.
- h) **Поддържайте ръкохватките и повърхностите на ръкохватките в сухо, чисто състояние, незамърсени с масло и мазнини.** Хлъзгавите ръкохватки и повърхности на ръкохватките не позволяват стабилно обслужване и контрол на електрическия инструмент в непредвидени ситуации.

24.6 Използване и третиране на акумулаторния инструмент

- a) **Зареждайте акумулаторните батерии само със зарядните устройства, които са препоръчани от производителя.** За зарядно устройство, което е подходящо за определен вид акумулаторни батерии съществува опасност от пожар, ако то се използва с други акумулаторни батерии.
- b) **Използвайте в електрическите инструменти само предназначенията за това батерии (акумулатори).** Използването на други батерии (акумулатори) може да доведе до наранявания и опасност от пожар.
- c) **Ако батерията (акумулаторът) не се използва, тя трябва да се държи далеч от кламери, монети, ключове, пирони, винтове или други малки метални предмети, които биха могли да предизвикат съединяване на късо на контактите.** Късо съединение между контактите на батерията (акумулатора) може да причини изгаряния или огън.

- d) При погрешно използване, от батерията (акумулатора) може да изтече акумулаторна течност. Избягвайте контакт с течността. При случаен контакт с течността съответното място да се промие с вода. Ако течността попадне в очите, трябва да се потърси лекар. Изтичащата акумулаторна течност може да причини дразнене или изгаряне на кожата.
- e) **Не използвайте повредени или променени акумулаторни батерии.** Повредените или променените акумулаторни батерии могат да имат непредвидено поведение и така да доведат до пожар, експлозия или да предизвикат опасност от нараняване.
- f) **Не подлагайте акумулаторната батерия на въздействието на огън или високи температури.** Откритият огън или температури над 130 °C (265 °F) могат да предизвикат експлозия.
- g) **Спазвайте всичките инструкции за зареждане и никога не зареждайте акумулаторната батерия или акумулаторния инструмент извън посочения в Ръководството за експлоатация температурен диапазон.** Неправилното зареждане или зареждане извън допустимия температурен диапазон може да разруши акумулаторната батерия и да увеличи опасността от пожар.

24.7 Сервиз

- a) **Давайте Вашия електрически инструмент за ремонт само при квалифициран и специализиран персонал и само с оригинални резервни части.** По този начин се осигурява спазването на безопасността на апарата.
- b) **Никога не правете поддръжка на повредени акумулаторни батерии.** Всички дейности по поддръжката на акумулаторните батерии трябва да се извършват само от производителя или от оторизирани сервизни работилници.

Cuprins

1	Prefață	445	7	Asamblarea utilajului de tăiat material lemnos	461
2	Informații referitoare la acest Manual de instrucțiuni	445	7.1	Demontarea și montarea șinei portlanț și a lanțului de ferăstrău	461
2.1	Documente valabile	445	7.2	Tensionarea lanțului de ferăstrău	462
2.2	Identificarea Notelor de avertizare din text	445	7.3	Lubrifierea lanțului fierăstrăului	463
2.3	Simboluri în text	445	8	Introducerea și scoaterea bateriei	463
3	Cuprins	446	8.1	Înlocuiți acumulatorul	463
3.1	Utilajul de tăiat material lemnos, acumulatorul și încărcătorul	446	8.2	Extrageți acumulatorul	463
3.2	Simboluri	447	9	Pornirea și oprirea utilajului de tăiat material lemnos	464
4	Instrucțiuni de siguranță	448	9.1	Pornirea utilajului de tăiat material lemnos	464
4.1	Simboluri de avertizare	448	9.2	Oprirea utilajului de tăiat material lemnos	464
4.2	Utilizare conform destinației	448	10	Verificarea utilajului de tăiat material lemnos și a acumulatorului	464
4.3	Cerințe pentru utilizator	449	10.1	Verificarea roții lanțului	464
4.4	Îmbrăcăminte și echipament	449	10.2	Verificarea șinei portlanț	464
4.5	Spațiu de lucru și mediu	450	10.3	Verificarea lanțului de ferăstrău	465
4.6	Starea sigură în exploatare	452	10.4	Verificarea capotei apărătoare	465
4.7	Operații	454	10.5	Verificarea comenzilor	466
4.8	Forțe de reacție	455	10.6	Verificarea acumulatorului	466
4.9	Încărcare	456	11	Operarea utilajului de tăiat material lemnos	466
4.10	Racordarea electrică	456	11.1	Ținerea și ghidarea utilajului de tăiat material lemnos	466
4.11	Transportarea	457	11.2	Tăierea	467
4.12	Stocarea	458	12	După lucru	467
4.13	Curățarea, întreținerea și repararea	459	12.1	După lucru	467
5	Pregătirea utilajului de tăiat material lemnos pentru utilizare	459	13	Transportarea	467
5.1	Pregătirea utilajului de tăiat material lemnos pentru utilizare	459	13.1	Transportul utilajului de tăiat material lemnos	467
6	Încărcarea bateriei și a LED-urilor	460	13.2	Transportul acumulatorului	467
6.1	Montarea încărcătorului pe un perete	460	13.3	Transportul încărcătorului	468
6.2	Încărcați acumulatorul	460	14	Stocarea	468
6.3	Indicarea stării de încărcare	461	14.1	Păstrarea utilajului de tăiat material lemnos	468
6.4	LED-uri pe utilajul de tăiat material lemnos	461	14.2	Depozitarea acumulatorului	468
6.5	LED la încărcător	461	14.3	Depozitarea încărcătorului	468



Acest manual de utilizare este protejat prin legea dreptului de autor. Ne rezervăm toate drepturile, în special dreptul de a multiplica, traduce și prelua prin sisteme electronice.

15 Curățare	469	24.2 Siguranța la locul de muncă.....	478
15.1 Curățarea utilajului de tăiat material lemnos	469	24.3 Siguranța electrică.....	478
15.2 Curățarea șinei portlanț și a lanțului de ferăstrău	469	24.4 Siguranța persoanelor	479
15.3 Curățarea bateriei.....	469	24.5 Manipularea și utilizarea uneltei electrice	479
15.4 Curățarea încărcătorului	469	24.6 Manipularea și utilizarea uneltei cu acumulator... ..	480
16 Întreținere	469	24.7 Service	480
16.1 Ascuțirea lanțului de ferăstrău.....	469		
17 Reparare	470		
17.1 Repararea utilajului de tăiat material lemnos, a acumulatorului și a încărcătorului.....	470		
18 Depanare	471		
18.1 Depanarea utilajului de tăiat material lemnos / acumulatorului	471		
18.2 Depanarea încărcătorului	472		
19 Date tehnice	474		
19.1 Utilajul de tăiat material lemnos STIHL GTA 26... ..	474		
19.2 Roți de lanț	474		
19.3 Adâncimea minimă a canelurii șinei portlanț.....	474		
19.4 Acumulator STIHL AS.....	474		
19.5 Încărcător STIHL AL 1	474		
19.6 Cabluri prelungitoare.....	474		
19.7 Nivelurile de zgomot și vibrații	474		
19.8 REACH	475		
20 Combinații ale șinei portlanț și lanțului de ferăstrău	476		
20.1 Utilajul de tăiat material lemnos STIHL GTA 26... ..	476		
21 Piese de schimb și accesorii	477		
21.1 Piese de schimb și accesorii	477		
22 Eliminare	477		
22.1 Eliminarea utilajului de tăiat material lemnos, a acumulatorului și a încărcătorului.....	477		
23 Declarație de conformitate EU	477		
23.1 Utilajul de tăiat material lemnos STIHL GTA 26... ..	477		
23.2 Declarație de conformitate încărcător STIHL AL 1	478		
24 Instrucțiuni generale de siguranță pentru electrounelte	478		
24.1 Introducere	478		


1 Prefață

Stimată clientă, stimat client,

ne bucurăm că ați ales STIHL. Dezvoltăm și executăm produsele noastre în calitate de vârf, conform nevoilor clienților noștri. În felul acesta iau naștere produse de mare fiabilitate chiar și în condiții de solicitare extremă.

STIHL înseamnă calitate de vârf și în domeniul de service. Atelierele noastre de specialitate oferă consiliere și instrucțiuni competente, ca și o îngrijire tehnică cuprinzătoare.

Vă mulțumim pentru încredere și vă dorim multă bucurie cu produsul STIHL pe care îl dețineți.



Dr. Nikolas Stihl

IMPORTANT! ÎNAINTE DE UTILIZARE, CITIȚI ȘI PĂSTRAȚI INSTRUCȚIUNILE.

2 Informații referitoare la acest Manual de instrucțiuni

2.1 Documente valabile

Sunt valabile prevederile locale privitoare la securitate.

- ▶ În plus față de acest Manual de Instrucțiuni, vă invităm să citiți, respectați și păstrați următoarele documente:
 - Informații privind uleiul multifuncțional STIHL Multioil Bio: www.stihl.com/safety-data-sheets
 - Informații privind siguranța pentru acumulatorii și produsele STIHL cu acumulator încorporat: www.stihl.com/safety-data-sheets

2.2 Identificarea Notelor de avertizare din text

PERICOL

Această notă indică pericolele care au ca rezultat răni grave sau decese.

- ▶ Măsurile specificate pot împiedica răni grave sau decese.

AVERTISMENT

Această notă poate indica pericolele care au ca rezultat răni grave sau **decese**.

- ▶ Măsurile specificate pot împiedica răni grave sau decese.

INDICAȚIE

Această notă indică pericolele care pot avea ca rezultat avariarea bunurilor.

- ▶ Măsurile specificate pot împiedica avariarea bunurilor.

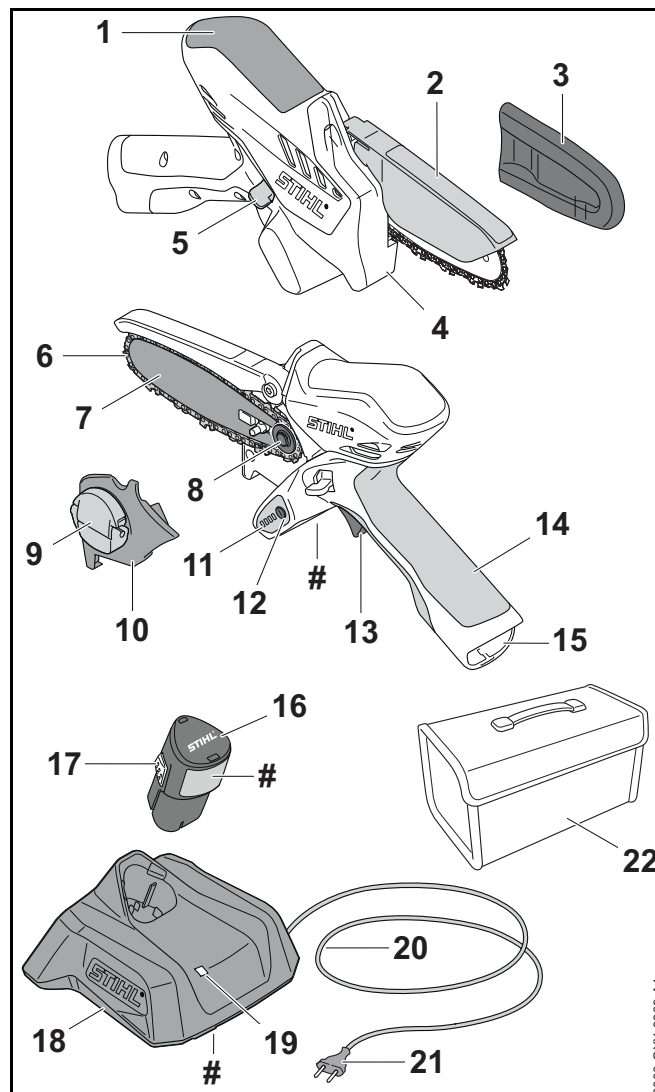
2.3 Simboluri în text



Acest simbol se referă la un capitol din aceste instrucțiuni de folosire.

3 Cuprins

3.1 Utilajul de tăiat material lemnos, acumulatorul și încărcătorul



1 Punctul de prindere

Punctul de prindere servește la susținerea și ghidarea utilajului de tăiat material lemnos.

2 Capotă apărătoare

Capota apărătoare protejează de contactul cu lanțul de ferăstrău.

3 Apărătoare de lanț

Apărătoarea de lanț protejează de contactul cu lanțul de ferăstrău.

4 Opritorul

În timpul lucrului, opritorul sprijină utilajul de tăiat material lemnos pe lemn.

5 Pârghie blocatoare

Pârghia blocatoare blochează maneta de acționare (de cuplare).

6 Lanțul fierăstrăului

Lanțul ferăstrăului taie lemnul.

7 Șină port-lanț

Șina portlanț ghidează lanțul de ferăstrău.

8 Roata de lanț

Roata de lanț acționează lanțul de ferăstrău.

9 Piuliță fluture

Piulița fluture fixează capacul roții de lanț la utilajul de tăiat material lemnos.

10 Capacul roții de lanț

Capacul roții de lanț acoperă roata de lanț și fixează șina portlanț pe utilajul de tăiat material lemnos.

11 LED-uri

LED-urile indică starea de încărcare a acumulatorului și defecțiunile.

12 Buton de apăsare

Butonul acționat prin apăsare activează LED-urile de pe utilajul de tăiat material lemnos.

13 Pârghie de comutație

Pârghia de comutație pornește și oprește utilajul de tăiat material lemnos.

14 Mâner de comandă

Mânerul de comandă servește la funcționarea, susținerea și ghidarea utilajului de tăiat material lemnos.

15 Compartimentul acumulatorului

Compartimentul acumulatorului adăpostește acumulatorul.

16 Acumulator

Acumulatorul furnizează electricitate utilajului de tăiat material lemnos.

17 Cârlig de blocare

Cârligul de blocare blochează acumulatorul în compartimentul acumulatorului.

18 Încărcător

Încărcătorul încarcă acumulatorul.

19 .

LED-ul indică starea încărcătorului.

20 Cablu de racord

Cablul electric conectează încărcătorul la ștecher.

21 Ștecher de rețea

Ștecherul conectează cablul electric la o priză de perete.

22 Buzunar

Geanta este folosită pentru transportul și depozitarea utilajului de tăiat material lemnos, a acumulatorului și a încărcătorului. Geanta este conținută numai în setul de livrare (compus din utilajul de tăiat material lemnos, acumulatorul și încărcătorul).

Plăcuță de identificare cu seria mașinii**3.2 Simboluri**

Simbolurile de pe utilajul de tăiat material lemnos, acumulator și încărcător semnifică următoarele:



Acest simbol indică sensul de rotație a lanțului de ferăstrău.



LED-ul se aprinde continuu sau intermitent în verde. Bateria este în curs de încărcare.



LED-ul pâlpâie cu roșu. Nu există contact electric între baterie și încărcător sau încărcătorul este defect.



Lungimea unei șine portlanț ce poate fi folosită.



LWA Nivelul calculat de putere acustică conform Directivei 2000/14/CE în dB(A), pentru a se putea compara nivelul emisiilor de zgomot a produselor electronice.



Indicația de lângă simbol indică nivelul de energie din acumulatori conform specificației producătorului celulei. Conținutul de energie disponibil în aplicație este mai mic.



Operați cablul de încărcare într-un spațiu uscat și închis.



Nu aruncați produsul la gunoiul menajer.



Citiți, respectați și păstrați Manualul de instrucțiuni.

4 Instrucțiuni de siguranță

4.1 Simboluri de avertizare

Simbolurile de avertizare de pe utilajul de tăiat material lemnos, acumulator sau încărcător semnifică următoarele:



Respectați instrucțiunile de siguranță și măsurile în legătură cu acestea.



Citiți, respectați și păstrați Manualul de instrucțiuni.



Purtați ochelari de protecție.



Țineți ferm utilajul de tăiat material lemnos cu ambele mâini.



Nu atingeți lanțul fierăstrăului aflat în mișcare.



Scoateți acumulatorul în timpul pauzelor de lucru, transportului, depozitării, întreținerii sau reparațiilor.



Protejați utilajul de tăiat material lemnos și încărcătorul împotriva ploii și a umidității.



Protejați acumulatorul de căldură și de foc.



Protejați bateria împotriva ploii și a umidității și nu o scufundați în lichide.

4.2 Utilizare conform destinației

Utilajul de tăiat material lemnos STIHL GTA 26 este folosit pentru tăierea lemnului.

Este interzisă utilizarea utilajului de tăiat material lemnos pe timp ploios.

Acumulatorul STIHL AS furnizează energie utilajului de tăiat material lemnos.

Încărcătorul STIHL AL 1 încarcă acumulatorul STIHL AS.

⚠️ AVERTISMENT

- Acumulatorii și încărcătoarele, care nu au fost aprobate de STIHL pentru utilizarea cu utilajul de tăiat material lemnos, pot cauza incendii și explozii. Risc de rănire gravă a persoanelor sau de deces și de avariere a bunurilor.
 - ▶ Folosiți utilajul de tăiat material lemnos cu un acumulator STIHL AS.
 - ▶ **Încărcați acumulatorul STIHL tip AS folosind un încărcător STIHL tip AL 1.**
- În cazul în care utilajul de tăiat material lemnos, acumulatorul sau încărcătorul nu sunt utilizați conform destinației, oamenii pot fi grav răniți sau uciși, iar bunurile pot fi avariate.
 - ▶ Folosiți utilajul de tăiat material lemnos, acumulatorul și încărcătorul conform descrierii din acest Manual de instrucțiuni.

4.3 Cerințe pentru utilizator

⚠️ AVERTISMENT

- Utilizatorii care nu au beneficiat de instruire nu pot recunoaște sau evalua pericolele pe care le reprezintă utilajul de tăiat material lemnos, acumulatorul și încărcătorul. Risc de răniri grave sau deces pentru utilizator sau alte persoane.



- ▶ Citiți, respectați și păstrați Manualul de instrucțiuni.

- ▶ În cazul în care utilajul de tăiat material lemnos, acumulatorul sau încărcătorul sunt înmânate altei persoane: dați și manualul de instrucțiuni.

- ▶ Asigurați-vă că utilizatorul îndeplinește următoarele cerințe:
 - Utilizatorul este odihnit.
 - Din punct de vedere fizic, senzorial și mental, utilizatorul este capabil să folosească și să lucreze cu utilajul de tăiat material lemnos, cu acumulatorul și încărcătorul. Utilizatorilor cu abilități fizice, senzoriale sau mentale reduse trebuie să li se permită lucrul doar sub supraveghere sau conform instrucțiunilor unei persoane responsabile.
 - Utilizatorul poate recunoaște sau evalua pericolele pe care le reprezintă utilajul de tăiat material lemnos, acumulatorul și încărcătorul.
 - Utilizatorul este major sau utilizatorul este instruit sub supraveghere corespunzător reglementărilor naționale.
 - Înainte de prima utilizare a utilajului de tăiat material lemnos, utilizatorul a beneficiat de instrucțiuni din partea unui distribuitor sau profesionist STIHL.
 - Utilizatorul nu se află sub influența alcoolului, medicamentelor sau drogurilor.
- ▶ Dacă există neclarități: Adresați-vă unui distribuitor STIHL.

4.4 Îmbrăcăminte și echipament

⚠️ AVERTISMENT

- În timpul lucrului, părul lung poate fi tras în utilajul de tăiat material lemnos. Utilizatorul poate fi rănit grav.
 - ▶ Părul lung se va strânge și asigura astfel încât să fie peste umeri.
- În timpul lucrului, obiectele pot fi proiectate cu viteze mari. Pericol de rănire a utilizatorului.



- ▶ Purtați ochelari de protecție strâmși. Ochelari de protecție adecvați, verificați conform normei EN 166 sau conform prevederilor naționale, se pot găsi în comerț cu identificarea corespunzătoare.

- ▶ Purtați pantaloni lungi.
- Corpurile ce cad pot provoca leziuni la cap.
 - ▶ În cazul în care în timpul lucrului pot cădea obiecte: purtați o cască de protecție.
- În timpul lucrului poate fi generat praf. Praful inspirat poate afecta sănătatea și poate declanșa reacții alergice.
 - ▶ Dacă se ridică praful: Purtați o mască pentru praf.
- Îmbrăcămintea neadecvată se poate prinde în copaci, arbuști și în utilajul de tăiat material lemnos. Utilizatorii care nu folosesc îmbrăcăminte adecvată se pot răni grav.
 - ▶ Purtați haine strânse pe corp.
 - ▶ Scoateți-vă eșarfele și bijuteriile.
- În timpul lucrului, utilizatorul se poate tăia din cauza lemnului. În timpul curățării sau întreținerii, utilizatorul poate intra în contact cu lanțul de ferăstrău. Pericol de rănire a utilizatorului.
 - ▶ Purtați mănuși de lucru făcute din material rezistent la uzură.
- În cazul în care utilizatorul poartă încălțăminte necorespunzătoare, acesta poate aluneca. Pericol de rănire a utilizatorului.
 - ▶ Purtați încălțăminte închisă, rigidă, cu talpă antiderapantă.

4.5 Spațiu de lucru și mediu

4.5.1 Utilajul de tăiat material lemnos

AVERTISMENT

- Persoanele neautorizate, copiii și animalele nu pot recunoaște și evalua pericolele pe care le reprezintă utilajul de tăiat material lemnos și obiectele proiectate. Persoanele neautorizate, copiii și animalele pot fi rănite grav, iar bunurile pot fi avariate.
 - ▶ Țineți la distanță de zona de lucru persoanele neimplicate, copiii și animalele.
 - ▶ Utilajul de tăiat material lemnos nu se va lăsa nesupravegheat.
 - ▶ Asigurați-vă de faptul că nu este posibilă joaca copiilor cu utilajul de tăiat material lemnos.
- Utilajul de tăiat material lemnos nu este impermeabil. În timpul lucrului pe vreme ploioasă sau într-un mediu umed, există pericol de electrocutare. Utilizatorul poate fi rănit, iar utilajul de tăiat material lemnos se poate deteriora.
 - ▶ Nu lucrați niciodată pe vreme ploioasă și nici într-un mediu umed.
- Componentele electrice ale utilajului de tăiat material lemnos pot produce scântei. Scântele pot declanșa incendii și explozii într-un mediu foarte inflamabil sau exploziv. Risc de rănire gravă a persoanelor sau de deces și de avariere a bunurilor.
 - ▶ Nu lucrați niciodată într-un mediu foarte inflamabil sau exploziv.



4.5.2 Acumulator

▲ AVERTISMENT

- Persoanele neautorizate, copiii și animalele nu pot recunoaște și evalua pericolele pe care le reprezintă acumulatorul. Persoanele neautorizate, copiii și animalele pot fi rănite grav.
 - ▶ Țineți la distanță persoanele neimplicate, copiii și animalele.
 - ▶ Acumulatorul nu se va lăsa nesupravegheat.
 - ▶ Asigurați-vă de faptul că nu este posibilă joaca copiilor cu acumulatorul.
- Acumulatorul nu este protejat împotriva tuturor influențelor mediului. Dacă acumulatorul este expus la anumite influențe ale mediului, acesta se poate aprinde sau exploda. Risc de rănire gravă a persoanelor și de avariere a bunurilor.



- ▶ Protejați acumulatorul de căldură și foc.
- ▶ Nu aruncați acumulatorul în foc.

- ▶ Folosiți și păstrați acumulatorul în intervalul de temperatură - 20 °C și + 50 °C.



- ▶ Protejați bateria împotriva ploii și a umidității și nu o scufundați în lichide.

- ▶ Nu apropiați acumulatorul de obiecte metalice.
- ▶ Nu expuneți acumulatorul la presiune înaltă.
- ▶ Nu expuneți acumulatorul la microunde.
- ▶ Protejați acumulatorul împotriva substanțelor chimice și a sărurilor.

4.5.3 Încărcător

▲ AVERTISMENT

- Persoanele neautorizate și copiii nu pot recunoaște și evalua pericolele pe care le reprezintă încărcătorul și curentul electric. Persoanele neautorizate, copiii și animalele pot fi rănite grav sau omorâte.
 - ▶ Țineți la distanță persoanele neimplicate, copiii și animalele.
 - ▶ Asigurați-vă de faptul că nu este posibilă joaca copiilor cu încărcătorul.
- Încărcătorul nu este impermeabil. În timpul lucrului pe vreme ploioasă sau într-un mediu umed, există pericol de electrocutare. Utilizatorul poate fi rănit, iar încărcătorul se poate deteriora.



- ▶ Nu lucrați niciodată pe vreme ploioasă și nici într-un mediu umed.

- Încărcătorul nu este protejat împotriva tuturor influențelor mediului. Dacă încărcătorul este expus la anumite influențe ale mediului, acesta se poate aprinde sau exploda. Risc de rănire gravă a persoanelor și de avariere a bunurilor.
 - ▶ Operați încărcătorul într-un spațiu uscat, închis.
 - ▶ Nu exploatați încărcătorul într-un mediu extrem de inflamabil sau explozibil.
 - ▶ Nu exploatați încărcătorul pe o bază inflamabilă.
 - ▶ Folosiți și păstrați încărcătorul în intervalul de temperatură - 20 °C și + 50 °C.
- Risc de împiedicare de cablul de racord. Risc de rănire a personalului și de avariere a încărcătorului.
 - ▶ Așezați cablul de racord așa încât nimeni să nu se poate împiedica de el.

4.6 Starea sigură în exploatare

4.6.1 Utilajul de tăiat material lemnos

Utilajul de tăiat material lemnos este în starea de siguranță doar dacă sunt îndeplinite următoarele condiții:

- Utilajul de tăiat material lemnos nu este deteriorat.
- Utilajul de tăiat material lemnos este curat și uscat.
- Capota apărătoare este montată.
- Capota apărătoare este nedeteriorată și nemodificată.
- Elementele de comandă funcționează și nu sunt modificate.
- Lanțul fierăstrăului este lubrifiat.
- Semnele de uzură de la roata de lanț nu sunt mai adânci de 0,5 mm.
- Este montată o combinație a șinei port-lanț și lanțului de ferăstrău, amintită în acest manual de utilizare.
- Șina port-lanț și lanțul de ferăstrău sunt montate corect.
- Lanțul de ferăstrău este tensionat corect.
- Acest utilajul de tăiat material lemnos conține doar accesoriile originale STIHL.
- Accesoriile au fost montate corect.


▲ AVERTISMENT

- Într-o stare nesigură, componentele ar putea să nu mai funcționeze corect, iar dispozitivele de siguranță ar putea fi dezactivate. Persoanele pot fi rănite grav sau chiar omorâte.
 - ▶ Lucrați cu un utilaj de tăiat material lemnos nedeteriorat.
 - ▶ Dacă utilajul de tăiat material lemnos este murdar sau ud: curățați-l și lăsați-l să se usuce.
 - ▶ Nu modificați utilajul de tăiat material lemnos. Excepție: montarea unei combinații a șinei port-lanț și lanțului de ferăstrău specificată în acest manual de utilizare.
 - ▶ Folosiți utilajul de tăiat material lemnos numai cu capota apărătoare montată.

- ▶ Dacă este deteriorată sau modificată capota apărătoare: Nu lucrați cu utilajul de tăiat material lemnos.
- ▶ Dacă elementele de comandă nu funcționează: Nu lucrați cu utilajul de tăiat material lemnos.
- ▶ Pentru acest utilaj de tăiat material lemnos folosiți numai accesoriile STIHL originale.
- ▶ Montați șina port-lanț și lanțul de ferăstrău conform descrierii din manualul de utilizare.
- ▶ Montați accesoriul așa cum este prezentat în manualul de instrucțiuni sau în manualul accesoriului.
- ▶ Nu introduceți obiecte în orificiile utilajului de tăiat material lemnos.
- ▶ Înlocuiți panourile indicatoare uzate sau deteriorate.
- ▶ Dacă există neclarități: Adresați-vă unui distribuitor STIHL.

4.6.2 Șină port-lanț

Șina portlanț este în stare de siguranță relevantă în cazul în care sunt îndeplinite următoarele condiții:

- Șina portlanț nu prezintă deteriorări.
- Șina portlanț nu este deformată.
- Canelura este la fel de adâncă ca sau mai adâncă decât adâncimea minimă a canelurii,  19.3.
- Canelura nu este redusă sau extinsă.

▲ AVERTISMENT

- Într-o stare nesigură, șina portlanț nu mai poate direcționa corect lanțul de ferăstrău. Lanțul de ferăstrău rotativ poate sări de pe șina portlanț. Aceasta poate duce la leziuni corporale grave, chiar letale.
 - ▶ Lucrați cu o șină portlanț nedeteriorată.
 - ▶ În cazul în care adâncimea canelurii este mai mică decât adâncimea minimă a canelurii: Înlocuiți șina portlanț.

- ▶ Dacă există neclarități: Adresați-vă unui distribuitor STIHL.

4.6.3 Lanțul fierăstrăului

Lanțul de ferăstrău este în stare de siguranță relevantă în cazul în care sunt îndeplinite următoarele condiții:

- Lanțul de ferăstrău nu prezintă deteriorări.
- Lanțul de ferăstrău este ascuțit corect.
- Sunt vizibile marcajele de uzură de pe dinții de tăiere.

⚠ AVERTISMENT

- Într-o stare nesigură, componentele ar putea să nu mai funcționeze corect, iar dispozitivele de siguranță ar putea fi dezactivate. Aceasta poate duce la leziuni corporale grave, chiar letale.
 - ▶ Lucrați cu un lanț de ferăstrău nedeteriorat.
 - ▶ Ascuțiți lanțul de ferăstrău corect.
 - ▶ Dacă există neclarități: Adresați-vă unui distribuitor STIHL.

4.6.4 Acumulator

Acumulatorul funcționează în condiții de siguranță dacă sunt îndeplinite următoarele condiții:

- Acumulatorul nu este deteriorat.
- Acumulatorul este curat și uscat.
- Acumulatorul funcționează este nemodificat.

⚠ AVERTISMENT

- Dacă starea sa nu mai prezintă siguranță, este posibil ca acumulatorul să nu mai funcționeze în condiții sigure. Persoanele se pot răni grav.
 - ▶ Se va lucra numai cu un acumulator nedeteriorat și funcțional.
 - ▶ Este interzisă încărcarea unui acumulator deteriorat sau defect.

- ▶ Dacă acumulatorul este murdar sau s-a udat: se curăță acumulatorul și se lasă să se usuce.
- ▶ Nu se va modifica acumulatorul.
- ▶ Nu introduceți obiecte în orificiile acumulatorului.
- ▶ Contactele electrice ale acumulatorului nu se vor lega sau scurtcircuita niciodată cu obiecte metalice.
- ▶ Nu se va deschide acumulatorul.
- ▶ Înlocuiți plăcuțele cu instrucțiuni uzate sau deteriorate.
- Dintr-un acumulator defect se poate scurge lichid. Dacă lichidul intră în contact cu pielea sau cu ochii, pot apărea iritații.
 - ▶ Se va evita contactul cu acest lichid.
 - ▶ Dacă lichidul a intrat în contact cu pielea: se spală porțiunile de piele cu apă din abundență și săpun.
 - ▶ Dacă lichidul a intrat în contact cu ochii: se spală ochii minimum 15 minute cu apă din abundență și se contactează un medic.
- Un acumulator deteriorat sau defect poate să emane mirosuri neobișnuite sau fum ori poate lua foc. Există pericol de rănire gravă a persoanelor sau chiar deces și se pot produce daune materiale.
 - ▶ Dacă acumulatorul emană mirosuri neobișnuite sau scoate fum: nu se va folosi acumulatorul și se va ține departe de materiale inflamabile.
 - ▶ Dacă acumulatorul a luat foc: încercați să stingeți acumulatorul cu un stingător sau cu apă.

4.6.5 Încărcător

Încărcătorul se află într-o stare sigură atunci când se întrunesc următoarele condiții:

- Încărcătorul nu este deteriorat.
- Încărcătorul este curat și uscat.

▲ AVERTISMENT

- Într-o stare nesigură, componentele ar putea să nu mai funcționeze corect, iar dispozitivele de siguranță ar putea fi dezactivate. Aceasta poate duce la leziuni corporale grave, chiar letale.
 - ▶ Folosiți un încărcător nedeteriorat.
 - ▶ Dacă încărcătorul este murdar sau umed: Curățați încărcătorul și lăsați-l să se usuce.
 - ▶ Nu modificați încărcătorul.
 - ▶ Nu introduceți obiecte în orificiile încărcătorului.
 - ▶ Nu conectați contactele electrice ale încărcătorului cu obiecte metalice (scurtcircuit).
 - ▶ Nu deschideți încărcătorul.

4.7 Operații

▲ AVERTISMENT

- Dacă nu există persoane în rază auditivă, în afara zonei de lucru, atunci nu se poate acorda ajutorul în caz de urgență.
 - ▶ Se asigură faptul că persoanele din afara zonei de lucru se află în raza auditivă.
- În anumite situații, utilizatorul nu poate lucra în mod concentrat. Utilizatorul poate pierde controlul asupra utilajului de tăiat material lemnos, se poate împiedica, cădea și poate fi rănit grav.
 - ▶ Lucrați calm și metodic.
 - ▶ Atunci când iluminatul și vizibilitatea sunt reduse: Nu lucrați cu utilajul de tăiat material lemnos.
 - ▶ Operați singur utilajul de tăiat material lemnos.
 - ▶ Nu lucrați peste înălțimea umărului.
 - ▶ Aveți grijă la obstacole.
 - ▶ Lucrați stând în picioare, menținându-vă echilibrul. Dacă trebuie să lucrați la înălțime: Folosiți o platformă pentru activități de ridicare sau o schelă sigură.
 - ▶ Dacă apar semne de oboseală: Faceți o pauză de lucru.

- Lanțul de ferăstrău rotativ îl poate răni pe utilizator. Utilizatorul poate fi rănit grav.
 - ▶ Nu atingeți lanțul de ferăstrău circulant.
 - ▶ Dacă lanțul fierăstrăului este blocat de un obiect: Decuplați utilajul de tăiat material lemnos și scoateți acumulatorul. Doar apoi puteți îndepărta obiectul.
- Lanțul rotativ al fierăstrăului se încălzește și se dilată. În cazul în care lanțul de ferăstrău nu este uns suficient și tensionat din nou, acesta poate sări de pe șina portlanț sau se poate rupe. Risc de rănire gravă a persoanelor și de avariere a bunurilor.
 - ▶ Folosiți ulei multifuncțional STIHL Multioil Bio sau un ulei multifuncțional comparabil și biodegradabil.
 - ▶ Pe durata activității, după fiecare încărcare a acumulatorului, lubrifiați lanțul fierăstrăului.
 - ▶ În timpul lucrului verificați cu regularitate tensiunea lanțului de ferăstrău. În cazul în care tensiunea lanțului de ferăstrău este prea mică: tensionați lanțul fierăstrăului.
- Pe durata lucrului este posibil să devină fierbinte șina portlanț, lanțul fierăstrăului și roata de lanț. Utilizatorul se poate arde.
 - ▶ Nu atingeți șina portlanț, lanțul fierăstrăului și roata de lanț dacă sunt fierbinți.
 - ▶ Așteptați răcirea șinei portlanț, a lanțului fierăstrăului și a roatei de lanț.
 - ▶ Purtați mănuși de lucru făcute din material rezistent la uzură.

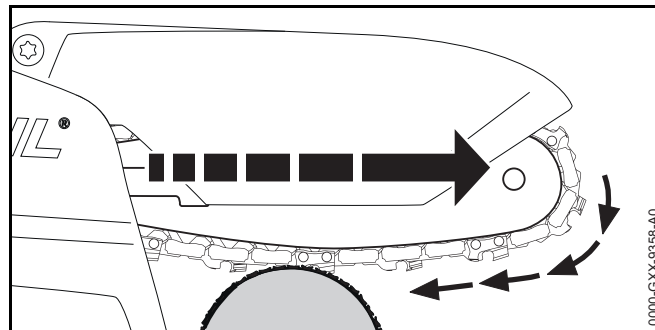
- Dacă utilajul de tăiat material lemnos se modifică pe durata lucrului sau dacă se comportă într-un mod nedorit, atunci acesta se poate afla într-o stare nesigură din punct de vedere tehnic. Risc de rănire gravă a persoanelor și de avariere a bunurilor.
 - ▶ Opriți lucrul, scoateți acumulatorul și adresați-vă unui distribuitor STIHL.
- În timpul lucrului, este posibil ca utilajul de tăiat material lemnos să producă vibrații.
 - ▶ Purtați mănuși.
 - ▶ Faceți pauze.
 - ▶ Dacă apar semne ale unei tulburări a irigației sangvine: Consultați un medic.
- În cazul în care lanțul de ferăstrău rotativ lovește un obiect dur, pot apărea scântei. Scântele pot declanșa incendii într-un mediu ușor inflamabil. Risc de rănire gravă a persoanelor sau de deces și de avariere a bunurilor.
 - ▶ Nu lucrați într-un mediu ușor inflamabil.
- În cazul în care maneta de acționare este eliberată, lanțul de ferăstrău continuă să se rotească pentru o perioadă scurtă de timp. Lanțul fierăstrăului aflat în mișcare poate tăia persoane. Se pot produce grave leziuni corporale.
 - ▶ Așteptați până când lanțul de ferăstrău nu se mai rotește.

⚠ PERICOL

- În cazul în care se lucrează într-un mediu cu cabluri electrice, lanțul fierăstrăului poate intra în contact cu cablurile electrice și le poate deteriora. Risc de rănire gravă sau deces.
 - ▶ Nu lucrați în mediu unde există cabluri electrice.

4.8 Forțe de reacție

4.8.1 Forțe de reacție



Atunci când se lucrează cu partea inferioară a șinei portlanț, utilajul de tăiat material lemnos este tras departe de utilizator.

⚠ AVERTISMENT

- În cazul în care lanțul fierăstrău rotativ lovește un obiect dur și frânează rapid, utilajul de tăiat material lemnos poate fi tras brusc, cu putere, la distanță de utilizator. Persoane pot fi rănite.
 - ▶ Țineți ferm utilajul de tăiat material lemnos cu ambele mâini.
 - ▶ Lucrați conform descrierii din manualul de instrucțiuni.
 - ▶ Lucrați cu capota apărătoare montată.
 - ▶ Lucrați cu o capotă apărătoare nedeteriorată și nemodificată.
 - ▶ Lucrați cu un lanț de ferăstrău ascuțit în mod corespunzător și tensionat corect.
 - ▶ Direcționați șina portlanț drept în tăietură.
 - ▶ Așezați opritorul în mod corespunzător.
 - ▶ Lucrați cu accelerare la maximum.

4.9 Încărcare

⚠️ AVERTISMENT

- În timpul încărcării, un încărcător avariât sau defect poate emite un miros neobișnuit sau fum. Risc de rănire a persoanelor și de avariere a bunurilor.
 - ▶ Scoateți ștecherul de rețea din priză.
- În cazul disipării inadecvate a căldurii, este posibil ca încărcătorul să se supraîncălzească și să producă un incendiu. Risc de rănire gravă a persoanelor sau de deces și de avariere a bunurilor.
 - ▶ Nu acoperiți încărcătorul.

4.10 Racordarea electrică

Contactul cu componentele sub tensiune poate avea următoarele cauze:

- Cablul de racord sau cablul prelungitor sunt deteriorate.
- Ștecherul cablului de racord sau al cablului prelungitor sunt deteriorate.
- Priza de perete nu este corect instalată.

⚠️ PERICOL

- Contactul cu componentele sub tensiune poate avea ca rezultat șocul electric. Risc de rănire gravă sau deces.
 - ▶ Asigurați-vă că nu sunt avariate cablul electric și ștecherul.



În cazul în care cablul de racord sau cablul prelungitor este deteriorat:

- ▶ Nu atingeți zona deteriorată.
- ▶ Scoateți ștecherul de rețea din priză.
- ▶ Cablul de racord, cablul prelungitor și ștecărul de rețea se atingă cu mâinile uscate.
- ▶ Ștecărul de rețea al cablului de racord sau al cablului prelungitor se introduce într-o priză cu contact de protecție instalată corect și asigurată.

- ▶ Încărcătorul se conectează cu ajutorul unui întrerupător de protecție la curent rezidual (30 mA, 30 ms).
- Un cablu prelungitor deteriorat sau nepotrivit poate duce la electrocutare. Aceasta poate duce la leziuni corporale grave, chiar letale.
 - ▶ Folosiți un cablu prelungitor cu o secțiune a cablului corespunzătoare, 19.6.

⚠️ AVERTISMENT

- În timpul încărcării, o tensiune de alimentare incorectă sau o frecvență de alimentare incorectă pot avea ca rezultat o supratensiune în încărcător. Încărcătorul poate fi avariât.
 - ▶ Asigurați-vă că tensiunea la priză și frecvența la priză corespund cu datele de pe plăcuța de identificare a încărcătorului.
- În cazul în care cablul de racord și cablul prelungitor nu sunt pozate corespunzător, ele se pot deteriora, sau persoanele se pot împiedica de ele. Persoanele se pot răni, iar cablul de racord sau cablul prelungitor se pot deteriora.
 - ▶ Cablul de racord și cablul prelungitor se pozează și se marchează astfel încât să nu fie posibilă împiedicarea persoanelor.
 - ▶ Pozați cablul de racord și cablul prelungitor în așa mod, încât să nu se tensioneze sau răsucescă.
 - ▶ Pozați cablul de racord și cablul prelungitor în așa mod, încât să nu se deterioreze, îndoiaie, strivească sau frece.
 - ▶ Protejați cablul de racord și cablul prelungitor contra căldurii, a uleiului și a substanțelor chimice.
 - ▶ Trageți cablul de racord și cablul prelungitor pe o suprafață uscată.

- În timpul lucrului, cablul prelungitor se poate încălzi. În cazul în care căldura nu poate fi disipată, se poate declanșa un incendiu.
 - ▶ Dacă se utilizează un tambur pentru cabluri: Desfășurați complet tamburul pentru cabluri.
- În cazul în care cablurile electrice și țevile sunt trase în perete, ele se pot deteriora dacă încărcătorul este montat pe perete. Contactul cu componentele sub tensiune poate avea ca rezultat șocul electric. Risc de rănire gravă a persoanelor și de avariere a bunurilor.
 - ▶ Asigurați-vă că în locul prevăzut nu sunt trase în perete cabluri electrice și țevi.
- În cazul în care încărcătorul nu este montat pe perete așa cum este prezentat în acest manual de utilizare, încărcătorul sau acumulatorul poate să cadă, eventual încărcătorul se poate supraîncălzi. Risc de rănire a persoanelor și de avariere a bunurilor.
 - ▶ Montați încărcătorul la perete conform celor prezentate în acest manual de utilizare.
- Dacă încărcătorul cu acumulatorul introdus este montat pe un perete, acumulatorul poate cădea din încărcător. Risc de rănire a persoanelor și de avariere a bunurilor.
 - ▶ Montați mai întâi încărcătorul la perete și apoi introduceți acumulatorul.

4.11 Transportarea

4.11.1 Utilajul de tăiat material lemnos

⚠ AVERTISMENT

- În timpul transportului, utilajul de tăiat material lemnos poate cădea sau se poate deplasa. Risc de rănire a persoanelor și de avariere a bunurilor.



- ▶ Extrageți acumulatorul.

- ▶ Glisați apărătoarea de lanț peste șina portlanț, astfel încât să acopere toată șina portlanț.

- ▶ Utilajul de tăiat material lemnos se transportă în geanta livrată.
- ▶ Dacă nu este inclusă nicio geantă în setul de livrare: Asigurați utilajul de tăiat material lemnos cu centuri de fixare, curele sau cu o plasă astfel încât acesta să nu poată cădea și să nu se poată deplasa.

4.11.2 Acumulator

⚠ AVERTISMENT

- Acumulatorul nu este protejat împotriva tuturor influențelor mediului. Dacă acumulatorul este expus la anumite influențe ale mediului, acesta se poate avaria, iar bunurile pot fi avariate.
 - ▶ Nu transportați un acumulator avariat.
 - ▶ Acumulatorul se transportă în geanta livrată.
 - ▶ Dacă nu este inclusă nicio geantă în setul de livrare: Transportați acumulatorul într-un ambalaj neconducător din punct de vedere electric.
- În timpul transportului, acumulatorul poate cădea sau se poate deplasa. Risc de rănire a persoanelor și de avariere a bunurilor.
 - ▶ Ambalați acumulatorul în ambalaj, astfel încât să nu se poată mișca.
 - ▶ Asigurați ambalajul, astfel încât să nu se poată mișca.

4.11.3 Încărcător

⚠ AVERTISMENT

- În timpul transportului, încărcătorul poate cădea sau se poate deplasa. Risc de rănire a persoanelor și de avariere a bunurilor.
 - ▶ Scoateți ștecherul de rețea din priză.
 - ▶ Extrageți acumulatorul.
 - ▶ Încărcătorul se transportă în geanta livrată.
- ▶ Dacă nu este inclusă nicio geantă în setul de livrare: Asigurați încărcătorul cu centuri de fixare, curele sau cu o plasă astfel încât aceasta să nu poată cădea și să nu se poată deplasa.

- Cablul de alimentare nu se pretează la transportul încărcătorului cu ajutorul acestuia. Cablul de alimentare și încărcătorul se pot deteriora.
 - ▶ Înfășurați cablul de racord și fixați-l la încărcător.

4.12 Stocarea

4.12.1 Utilajul de tăiat material lemnos

⚠ AVERTISMENT

- Copiii nu pot recunoaște și evalua pericolele pe care le constituie utilajul de tăiat material lemnos. Copii pot suferi leziuni grave.



- ▶ Extrageți acumulatorul.

- ▶ Glisați apărătoarea de lanț peste șina portlanț, astfel încât să acopere toată șina portlanț.
- ▶ Depozitați utilajul de tăiat material lemnos într-un loc care nu este la îndemâna copiilor.
- Contactele electrice de la utilajul de tăiat material lemnos și de la componentele metalice pot coroda din cauza umezelii. Este posibilă deteriorarea utilajului de tăiat material lemnos.



- ▶ Extrageți acumulatorul.

- ▶ Depozitați utilajul de tăiat material lemnos într-un loc curat și uscat.

4.12.2 Acumulator

⚠ AVERTISMENT

- Copiii nu pot recunoaște și evalua pericolele pe care le constituie acumulatorul. Copii pot suferi leziuni grave.
 - ▶ Depozitați acumulatorul într-un loc care nu este la îndemâna copiilor.
- Acumulatorul nu este protejat împotriva tuturor influențelor mediului. Dacă acumulatorul este expus la anumite influențe ale mediului, acesta se poate avaria.
 - ▶ Depozitați acumulatorul într-un loc curat și uscat.
 - ▶ Depozitați acumulatorul într-un spațiu închis.
 - ▶ Depozitați acumulatorul deconectat de la utilajul de tăiat material lemnos și de la încărcător.
 - ▶ Depozitați acumulatorul într-un ambalaj neconducător din punct de vedere electric.
 - ▶ Păstrați acumulatorul în intervalul de temperatură între - 20 °C și + 70 °C.

4.12.3 Încărcător

⚠ AVERTISMENT

- Copiii nu pot recunoaște și evalua pericolele pe care le constituie încărcătorul. Copiii sunt în situații de risc de rănire gravă sau deces.
 - ▶ Extrageți acumulatorul.
 - ▶ Depozitați încărcătorul într-un loc care nu este la îndemâna copiilor.
- Încărcătorul nu este protejat împotriva tuturor influențelor mediului. Dacă încărcătorul este expus la anumite influențe ale mediului, acesta se poate avaria.
 - ▶ Extrageți acumulatorul.
 - ▶ Dacă încărcătorul este cald: Lăsați încărcătorul să se răcească.
 - ▶ Depozitați încărcătorul într-un loc curat și uscat.
 - ▶ Depozitați încărcătorul într-un spațiu închis.

- ▶ Păstrați încărcătorul în intervalul de temperatură între - 20 °C și + 70 °C.
- Cablul de alimentare nu se pretează la transportarea sau suspendarea încărcătorului cu ajutorul acestuia. Cablul de alimentare și încărcătorul se pot deteriora.
 - ▶ Apucați și țineți încărcătorul de carcasă. Degajarea mânerului încărcătorului facilitează ridicarea acestuia.
 - ▶ Suspendați încărcătorul de consola de perete.

4.13 Curățarea, întreținerea și repararea

▲ AVERTISMENT

- Înainte de curățare, întreținere sau reparare, scoateți bateria pentru a împiedica pornirea din greșeală a utilajului de tăiat material lemnos. Risc de rănire gravă a persoanelor și de avariere a bunurilor.



- ▶ Extrageți acumulatorul.

- Agenții de curățare puternici, curățarea cu un jet de apă sau obiectele ascuțite pot deteriora utilajul de tăiat material lemnos, șina portlanț, lanțul fierăstrăului, acumulatorul și încărcătorul. În cazul în care utilajul de tăiat material lemnos, lanțul fierăstrăului, acumulatorul sau încărcătorul nu sunt curățate corespunzător, componentele s-ar putea să nu mai funcționeze corect, iar dispozitivele de siguranță să fie scoase din funcțiune. Se pot produce grave leziuni corporale.
 - ▶ Curățați utilajul de tăiat material lemnos, șina portlanț, lanțul de ferăstrău, acumulatorul și încărcătorul, așa cum se descrie în acest Manual de instrucțiuni.
- În cazul în care utilajul de tăiat material lemnos, lanțul de ferăstrău, acumulatorul sau încărcătorul nu sunt întreținute sau reparate corespunzător, componentele s-

ar putea să nu mai funcționeze corect, iar dispozitivele de siguranță să fie scoase din funcțiune. Aceasta poate duce la leziuni corporale grave, chiar letale.

- ▶ Nu încercați să întrețineți sau să reparați singur utilajul de tăiat material lemnos, acumulatorul sau încărcătorul.
- ▶ Dacă utilajul de tăiat material lemnos, acumulatorul sau încărcătorul trebuie întreținute sau reparate: Adresați-vă unui distribuitor STIHL.
- ▶ Întrețineți sau reparați șina portlanț și lanțul de ferăstrău în modul descris în aceste Manual de instrucțiuni.
- În timpul curățării sau întreținerii lanțului de ferăstrău, utilizatorul se poate tăia în dinții de tăiere ascuțiți. Pericol de rănire.
 - ▶ Purtați mănuși de lucru făcute din material rezistent la uzură.

5 Pregătirea utilajului de tăiat material lemnos pentru utilizare

5.1 Pregătirea utilajului de tăiat material lemnos pentru utilizare

Anterior oricăror lucrări, trebuie parcurși următorii pași:

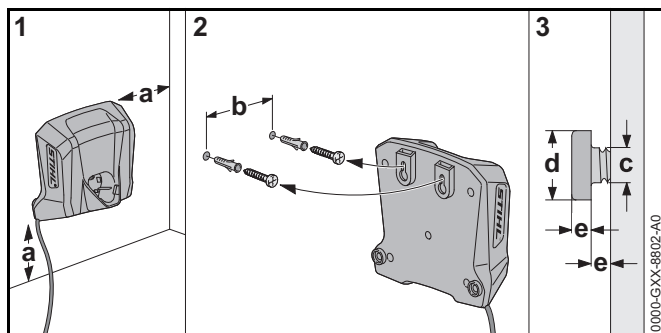
- ▶ Asigurați-vă că următoarele componente sunt într-o stare sigură:
 - Utilajul de tăiat material lemnos, 4.6.1.
 - Șina port-lanț, 4.6.2.
 - Lanțul fierăstrăului, 4.6.3.
 - Acumulator, 4.6.4.
 - Încărcător, 4.6.5.
- ▶ Verificarea acumulatorului, 10.6.
- ▶ Încărcați complet acumulatorul, 6.2.
- ▶ Curățați utilajul de tăiat material lemnos, 15.1.
- ▶ Montați șina portlanț și lanțul de ferăstrău, 7.1.1.
- ▶ Tensionați lanțul fierăstrăului, 7.2.
- ▶ Lubrifiați lanțul fierăstrăului, 7.3.
- ▶ Verificarea elementelor de comandă, 10.5.

- ▶ În cazul în care, pe durata verificării elementelor de comandă, 3 LED-uri se aprind intermitent roșii: Scoateți acumulatorul și adresați-vă unui serviciu de asistență tehnică STIHL.
La utilajul de tăiat material lemnos există o defecțiune.
- ▶ Dacă etapele nu pot fi efectuate: Nu folosiți utilajul de tăiat material lemnos și apelați la un distribuitor STIHL.

6 Încărcarea bateriei și a LED-urilor

6.1 Montarea încărcătorului pe un perete

Încărcătorul poate fi montat pe un perete.



▶ Montați încărcătorul în așa mod pe perete, încât să se respecte următoarele condiții:

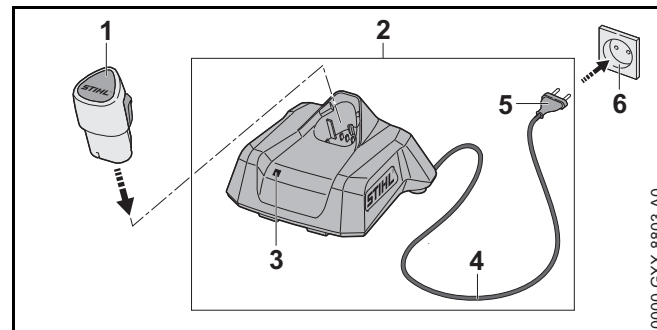
- Să fie folosite materiale de fixare corespunzătoare.
- Încărcătorul să fie în poziție orizontală.
- Respectați următoarele mărimi:
 - a = minim 100 mm
 - b = 54 mm
 - c = 4,5 mm
 - d = 9 mm
 - e = 2,5 mm

6.2 Încărcați acumulatorul

Timpul de încărcare depinde de câțiva factori, de ex. temperatura bateriei sau temperatura ambiantă. Timpul de încărcare real poate fi diferit de timpul de încărcare specificat. Timpul de încărcare este disponibil la www.stihl.com/charging-times.

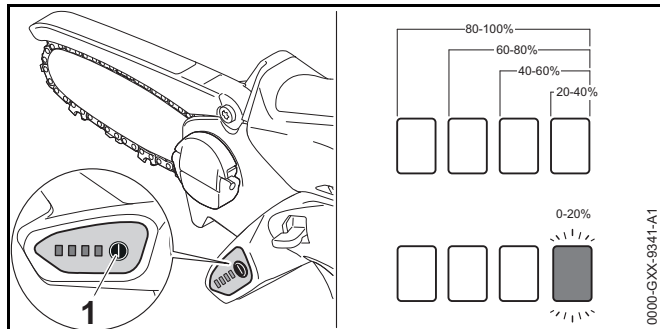
Când ștecherul de rețea este introdus în priză, iar acumulatorul este introdus în încărcător, procesul de încărcare pornește automat. Când bateria este complet încărcată, încărcătorul se decuplează automat.

În timpul încărcării, bateria și încărcătorul se încălzesc.



- ▶ Introduceți ștecherul (5) într-o priză de perete accesibilă (6).
Încărcătorul (2) efectuează un autotest. LED-ul (3) se aprinde timp de aproximativ 1 secundă verde și apoi aproximativ 1 secundă roșu.
- ▶ Pozați cablul de racord (4).
- ▶ Introduceți acumulatorul (1) în ghidajele încărcătorului (2) și apăsați până se oprește.
LED-ul (3) se aprinde continuu sau intermitent în verde.
Acumulatorul (2) este în curs de încărcare.
- ▶ Dacă LED-ul (3) nu mai este aprins: Acumulatorul (1) este încărcat complet și poate fi scos din încărcătorul (2).
- ▶ Dacă nu se mai utilizează încărcătorul (2): Scoateți ștecherul de rețea (5) din priză (6).

6.3 Indicarea stării de încărcare



- ▶ Introduceți acumulatorul.
- ▶ Apăsăți butonul (1).
LED-urile luminează în verde timp de aproximativ 5 secunde și indică starea de încărcare.
- ▶ Dacă LED-ul verde se aprinde intermitent: Încărcați acumulatorul.

6.4 LED-uri pe utilajul de tăiat material lemnos

LED-urile pot indica starea de încărcare a acumulatorului sau defecțiunile. LED-urile pot lumina permanent, respectiv pâlpâi, cu culoarea verde sau roșu.

Dacă LED-urile luminează cu culoarea verde sau pâlpâie, este indicat nivelul de încărcare.

- ▶ Dacă LED-urile luminează cu culoarea roșie sau pâlpâie: remediați avariile, 18.
Există o defecțiune la utilajul de tăiat material lemnos sau la acumulator.

6.5 LED la încărcător

LED-ul indică starea încărcătorului sau avarii. LED-ul poate lumina permanent, respectiv pâlpâi, cu culoarea verde sau roșu.

Dacă LED-ul luminează permanent sau intermitent cu culoarea verde, acumulatorul este în curs de încărcare.

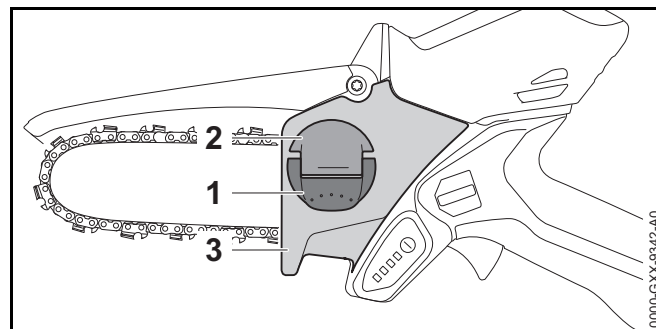
- ▶ Dacă LED-ul este aprins continuu sau intermitent roșu: remediați avariile, 18.
Există o defecțiune la încărcător sau la acumulator.

7 Asamblarea utilajului de tăiat material lemnos

7.1 Demontarea și montarea șinei portlanț și a lanțului de ferăstrău

7.1.1 Demontarea șinei portlanț și a lanțului de ferăstrău

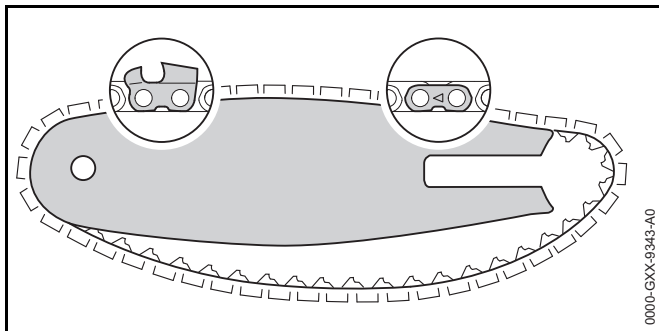
- ▶ Decuplați utilajul de tăiat material lemnos și scoateți acumulatorul.



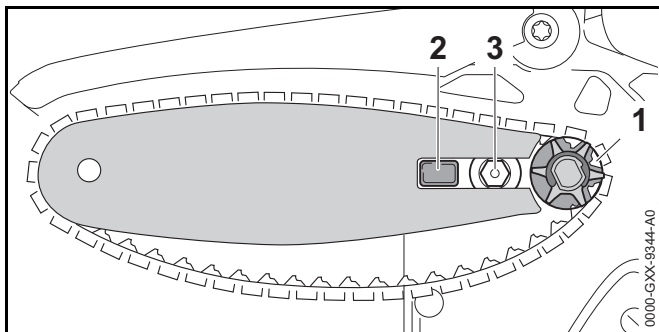
- ▶ Desfaceți mânerul (1) piuliței fluture (2).
- ▶ Rotiți piulița fluture (2) în sens invers acelor de ceasornic până când capacul roții de lanț (3) poate fi scos.
- ▶ Demontați capacul roții de lanț (3).
- ▶ Scoateți șina portlanț și lanțul de ferăstrău.

7.1.2 Montați șina portlanț și lanțul de ferăstrău

Combi-națiile de șină portlanț și lanț de ferăstrău, care se potrivesc cu roata de lanț și sunt montate pe aceasta, sunt indicate în datele tehnice, 20.1.



- ▶ Așezați lanțul de ferăstrău în canelura șinei portlanț astfel încât săgețile de pe articulația lanțului de ferăstrău indică partea superioară, în direcția de rotație.



- ▶ Așezați șina portlanț cu lanțul de ferăstrău în utilajul de tăiat material lemnos în așa fel încât să se respecte următoarele condiții:
 - Zalele de antrenare ale lanțului de ferăstrău stau în dinții roții de lanț (1).
 - Cepul (2) se află în orificiul longitudinal al șinei portlanț.
 - Șurubul de legătură (3) se află în orificiul longitudinal al șinei portlanț.

Orientarea șinei portlanț nu are nicio importanță. Inscricția de pe șina portlanț poate sta și pe cap.

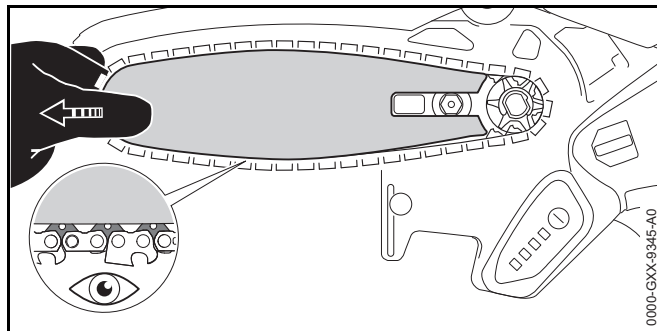
- ▶ tensionați lanțul fierăstrăului.
- ▶ Rezemați capacul roții de lanț de utilajul de tăiat material lemnos astfel încât acesta să fie la același nivel cu utilajul de tăiat material lemnos.

- ▶ Rotiți piulița fluture în sensul acelor de ceasornic până când capacul roții de lanț se fixează pe utilajul de tăiat material lemnos.
- ▶ Închideți mânerul piuliței fluture.

7.2 Tensionarea lanțului de ferăstrău

În timpul lucrului, lanțul de ferăstrău se extinde sau se adună. Tensiunea din lanțul de ferăstrău se modifică. În timpul lucrului, tensiunea din lanțul de ferăstrău trebuie verificată cu regularitate și se face of retensionare.

- ▶ Decuplați utilajul de tăiat material lemnos și scoateți acumulatorul.



- ▶ Desfaceți mânerul piuliței fluture.
- ▶ Rotiți piulița fluture 2 rotații în sens invers acelor de ceasornic. Piulița fluture este slăbită.

AVERTISMENT

Dinții de tăiere ai lanțului de ferăstrău sunt ascuțiți. Utilizatorul se poate tăia.

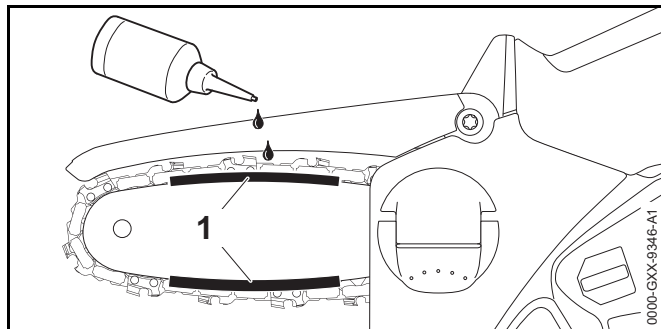
- ▶ Purtați mănuși de lucru făcute din material rezistent la uzură.
- ▶ Deplasați șina port-lanț spre stânga sau dreapta până la îndeplinirea următoarei condiții:
 - Zalele de antrenare ale lanțului fierăstrăului sunt vizibile pe jumătate pe partea inferioară a șinei port-lanț.

- ▶ Rotiți piulița fluture în sensul acelor de ceasornic până când capacul roții de lanț se fixează pe utilajul de tăiat material lemnos.
- ▶ Dacă lanțul ferăstrăului poate fi tras pe șina portlanț chiar și cu două degete și cu efort minim: Lanțul fierăstrăului este tensionat corect.
- ▶ Dacă sunt vizibile complet zalele de antrenare ale lanțului fierăstrăului pe partea inferioară a șinei portlanț: Tensionați din nou lanțul de ferăstrău.
- ▶ Închideți mânerul piuliței fluture.

7.3 Lubrifierea lanțului fierăstrăului

Uleiul multifuncțional STIHL Multioil Bio sau un ulei multifuncțional comparabil și biodegradabil lubrifică și răcește lanțul de ferăstrău rotativ.

- ▶ Decuplați utilajul de tăiat material lemnos și scoateți acumulatorul.
- ▶ Așezați utilajul de tăiat material lemnos pe o suprafață plană, astfel încât capacul roții de lanț să fie orientat în sus.
- ▶ Șina port-lanț și lanțul fierăstrăului se curăță cu o pensulă, o perie moale sau soluție STIHL pentru îndepărtarea rășinilor.

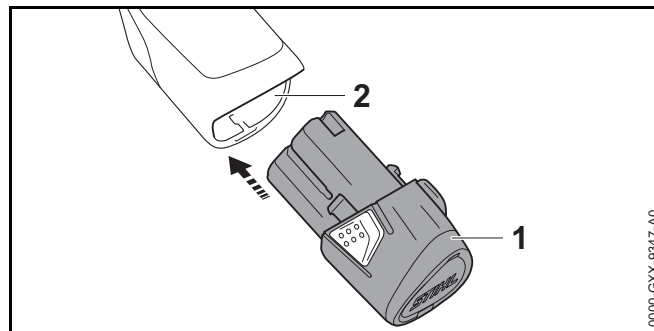


- ▶ Aplicați ulei multifuncțional în zona (1) dintre șina port-lanț și lanțul fierăstrăului.
- ▶ Introduceți acumulatorul.

- ▶ Porniți utilajul de tăiat material lemnos. Uleiul multifuncțional este distribuit pe lanțul fierăstrăului. Lanțul fierăstrăului este lubrifiat.

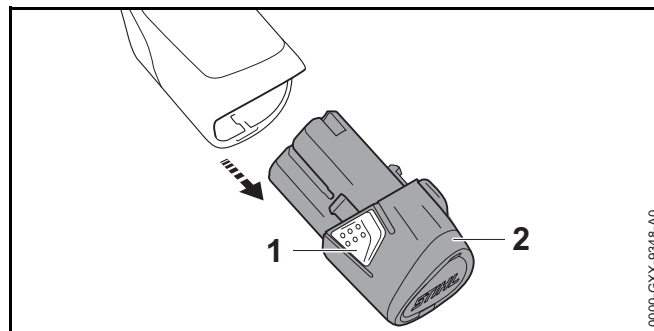
8 Introducerea și scoaterea bateriei

8.1 Înlocuiți acumulatorul



- ▶ Apăsați acumulatorul (1) în compartimentul acumulatorului (2) până la opritor. Acumulatorul (1) se fixează cu un clic.

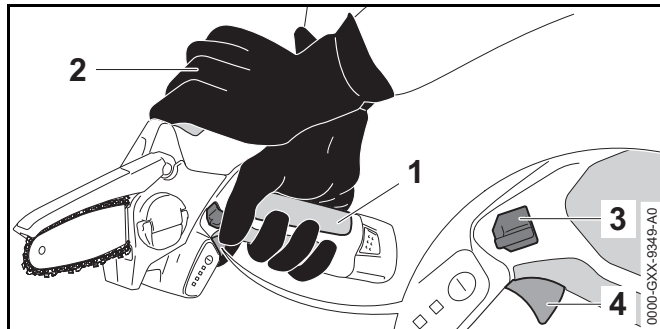
8.2 Extrageți acumulatorul



- ▶ Apăsați ambele cârlige de blocare (1). Acumulatorul (2) este acum deblocat și poate fi scos.

9 Pornirea și oprirea utilajului de tăiat material lemnos

9.1 Pornirea utilajului de tăiat material lemnos



- ▶ Țineți cu o mână utilajul de tăiat material lemnos în zona mânerului (1), astfel încât degetul mare să închidă mânerul de comandă.
- ▶ Țineți și ghidați utilajul de tăiat material lemnos cu cealaltă mână pe punctul de prindere (2).
- ▶ Apăsați pârghia blocatoare (3) cu degetul mare și țineți-l apăsat.
- ▶ Apăsați pârghia de comutație (4) cu degetul arătător și mențineți-o apăsată.
Utilajul de tăiat material lemnos accelerează și lanțul de ferăstrău se mișcă. Pârghia blocatoare (3) poate fi eliberată.

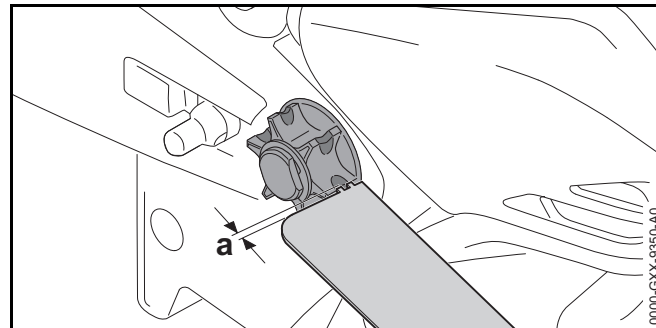
9.2 Oprirea utilajului de tăiat material lemnos

- ▶ Eliberați pârghia de comutație.
Lanțul tăietor nu funcționează.
- ▶ Dacă lanțul fierăstrăului rulează în continuare: Scoateți acumulatorul și adresați-vă unui serviciu de asistență tehnică STIHL.
Utilajul de tăiat material lemnos este defect.

10 Verificarea utilajului de tăiat material lemnos și a acumulatorului

10.1 Verificarea roții lanțului

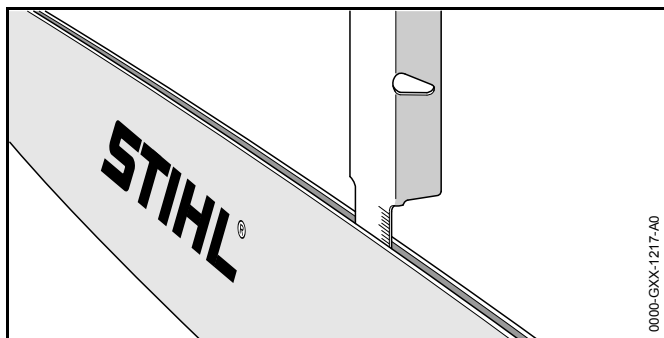
- ▶ Decuplați utilajul de tăiat material lemnos și scoateți acumulatorul.
- ▶ Demontați capacul roții de lanț.
- ▶ Demontați șina portlanț și lanțul de ferăstrău.



- ▶ Verificați dacă roata de lanț prezintă semne de uzură, folosind un calibru de verificare STIHL.
- ▶ În cazul în care semnele de uzură sunt mai adânci decât $a = 0,5 \text{ mm}$: Nu folosiți utilajul de tăiat material lemnos și apăsați la un distribuitor STIHL.
Roata de lanț trebuie înlocuită.

10.2 Verificarea șinei portlanț

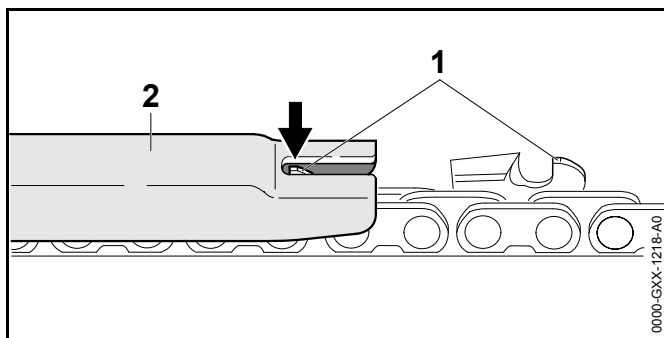
- ▶ Decuplați utilajul de tăiat material lemnos și scoateți acumulatorul.
- ▶ Demontați lanțul de ferăstrău și șina portlanț.



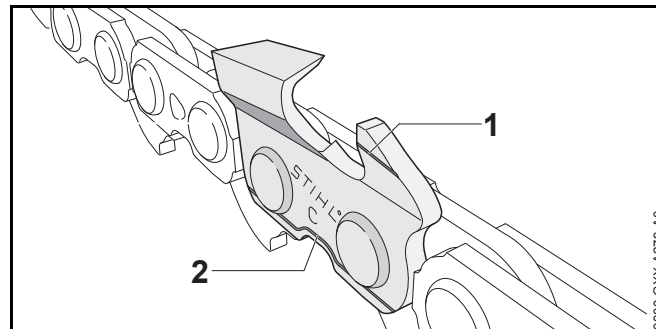
- ▶ Măsurați adâncimea canelurii șinei portlanț cu joja de măsurare de la un calibrul de rectificare STIHL.
- ▶ Înlocuiți șina de lanț, dacă una din următoarele condiții este îndeplinită:
 - Șina portlanț este deteriorată.
 - Adâncimea canelurii măsurate este mai mică decât adâncimea minimă a canelurii șinei portlanț, 19.3.
 - Canelura șinei portlanț este redusă sau extinsă.
- ▶ Dacă există neclarități: Adresați-vă unui distribuitor STIHL.

10.3 Verificarea lanțului de ferăstrău

- ▶ Decuplați utilajul de tăiat material lemnos și scoateți acumulatorul.



- ▶ Măsurați înălțimea limitatorului de adâncime (1) cu un calibrul de rectificare STIHL (2). Calibrul de rectificare STIHL trebuie să se potrivească cu pasul lanțului de ferăstrău.
- ▶ În cazul în care limitatorul de adâncime (1) depășește calibrul de rectificare (2): piliți ulterior limitatorul de adâncime (1), 16.1.



- ▶ Verificați dacă marcasele de uzură (1 și 2) sunt vizibile pe dinții de tăiere.
- ▶ În cazul în care niciuna din marcasele de uzură nu este vizibilă pe dinții de tăiere: Nu folosiți lanțul fierăstrăului și contactați un serviciu de asistență tehnică STIHL.
- ▶ Cu ajutorul unui calibrul de rectificare STIHL verificați dacă se respectă unghiul de ascuțire al dinților de tăiere de 30°. Calibrul de rectificare STIHL trebuie să se potrivească cu pasul lanțului de ferăstrău.
- ▶ Dacă nu se respectă unghiul de ascuțire de 30°: Se ascute lanțul de ferăstrău.
- ▶ Dacă există neclarități: Adresați-vă unui distribuitor STIHL.

10.4 Verificarea capotei apărătoare

- ▶ Extrageți acumulatorul.

**AVERTISMENT**

Dinții de tăiere ai lanțului de ferăstrău sunt ascuțiți. Utilizatorul se poate tăia.

- ▶ Purtați mănuși de lucru făcute din material rezistent la uzură.

- ▶ Rabatați capota apărătoare în sus și eliberați-o. Capota apărătoare revine cu resort în poziția inițială.
- ▶ Dacă capota apărătoare este greu de acționat și nu sare în poziția inițială: Nu folosiți utilajul de tăiat material lemnos și apălați la un distribuitor STIHL. Capota apărătoare este defectă.

10.5 Verificarea comenzilor**Pârghie blocatoare și manetă de acționare**

- ▶ Extrageți acumulatorul.
- ▶ Încercați să apăsați maneta de acționare fără să apăsați pârghia blocatoare.
- ▶ În cazul în care maneta de acționare poate fi apăsată: Adresați-vă unui distribuitor STIHL. Pârghia blocatoare este defectă.
- ▶ Apăsați pârghia blocatoare și mențineți-o apăsată.
- ▶ Apăsați maneta de acționare și eliberați-o din nou.
- ▶ Dacă pârghia de comutație este greu de acționat sau nu sare în poziția inițială: Nu folosiți utilajul de tăiat material lemnos și apălați la un distribuitor STIHL. Maneta de cuplare este defectă.

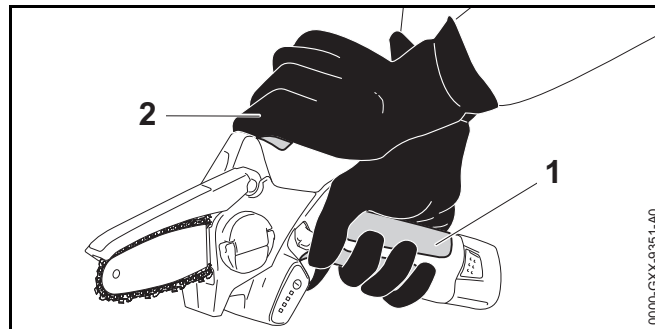
Pornirea utilajului de tăiat material lemnos

- ▶ Introduceți acumulatorul.
- ▶ Apăsați pârghia blocatoare și mențineți-o apăsată.
- ▶ Apăsați maneta de acționare (cuplare) și mențineți-o apăsată. Lanțul de ferăstrău funcționează.
- ▶ Dacă se aprind intermitent 3 LED-uri: Scoateți acumulatorul și adresați-vă unui serviciu de asistență tehnică STIHL. La utilajul de tăiat material lemnos există o defecțiune.

- ▶ Eliberați pârghia de comutație. Lanțul tăietor nu funcționează.
- ▶ Dacă lanțul fierăstrăului rulează în continuare: Scoateți acumulatorul și adresați-vă unui serviciu de asistență tehnică STIHL. Utilajul de tăiat material lemnos este defect.

10.6 Verificarea acumulatorului

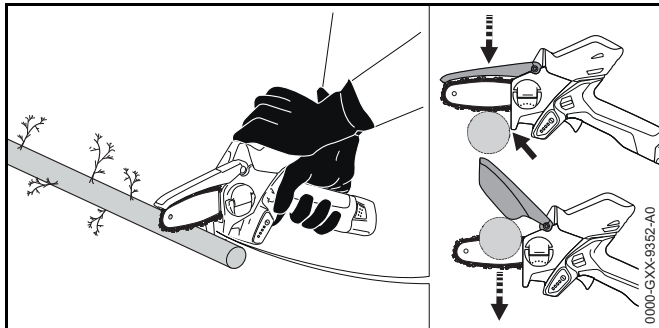
- ▶ Introduceți acumulatorul.
- ▶ Apăsați butonul de la utilajul de tăiat material lemnos. LED-urile se aprind sau pâlpâie.
- ▶ Dacă LED-urile nu luminează sau nu pâlpâie: Nu folosiți utilajul de tăiat material lemnos și acumulatorul și apălați la un distribuitor STIHL. Există o defecțiune la utilajul de tăiat material lemnos sau la acumulator.

11 Operarea utilajului de tăiat material lemnos**11.1 Ținerea și ghidarea utilajului de tăiat material lemnos**

- ▶ Țineți cu o mână utilajul de tăiat material lemnos în zona mânerului (1) și deplasați-o, așa încât degetul mare să închidă mânerul de comandă.
- ▶ Țineți și ghidați utilajul de tăiat material lemnos cu cealaltă mână pe punctul de prindere (2).

11.2 Tăierea

- ▶ Șina port-lanț se poziționează în tăietură cu accelerația la maxim.



- ▶ Așezați opritorul și folosiți-l ca punct de rotație.
- ▶ Ghidați complet șina port-lanț prin lemn.
- ▶ La capătul tăieturii, prindeți greutatea utilajului de tăiat material lemnos.
- ▶ Tăiați crengile individual.

12 După lucru

12.1 După lucru

- ▶ Decuplați utilajul de tăiat material lemnos și scoateți acumulatorul.
- ▶ Dacă este umed utilajul de tăiat material lemnos: Lăsați utilajul de tăiat material lemnos să se usuce.
- ▶ Dacă acumulatorul este umed: Lăsați acumulatorul să se usuce.
- ▶ Curățați utilajul de tăiat material lemnos.
- ▶ Curățați șina portlanț și lanțul de ferăstrău.
- ▶ Glisați apărătoarea de lanț peste șina portlanț, astfel încât să acopere toată șina portlanț.
- ▶ Curățați acumulatorul.

13 Transportarea

13.1 Transportul utilajului de tăiat material lemnos

- ▶ Decuplați utilajul de tăiat material lemnos și scoateți acumulatorul.
- ▶ Glisați apărătoarea de lanț peste șina port-lanț, astfel încât să acopere toată șina port-lanț.

Deplasarea utilajului de tăiat material lemnos

- ▶ Transportați utilajul de tăiat material lemnos cu mâna stângă pe mânerul de operare astfel încât șina portlanț să fie îndreptată în jos.

Transportul utilajului de tăiat material lemnos într-un autovehicul

- ▶ Utilajul de tăiat material lemnos se transportă în geanta livrată.
- ▶ Asigurați geanta, așa încât aceasta să nu poată cădea și să nu se poată deplasa.
- ▶ Dacă nu este conținută o geantă în volumul de livrare, utilajul de tăiat material lemnos se asigură astfel încât să nu se poate răsturna sau deplasa.

13.2 Transportul acumulatorului

- ▶ Decuplați utilajul de tăiat material lemnos și scoateți acumulatorul.
- ▶ Asigurați-vă că acumulatorul este într-o stare sigură.
- ▶ Acumulatorul se ambalează în geanta livrată.
- ▶ Dacă nu este inclusă nicio geantă în setul de livrare: Ambalați acumulatorul așa încât să se respecte următoarele condiții:
 - Ambalajul să nu conducă curentul.
 - Acumulatorul să nu se poată mișca în ambalaj.
- ▶ Asigurați ambalajul, astfel încât să nu se poată mișca.

Acumulatorul face obiectul cerințelor privitoare la transportul de mărfuri periculoase. Acumulatorul se încadrează în categoria UN 3480 (baterii litiu-ion) și a fost verificată conform Manualului UN Verificări și criterii Partea III, subsecțiunea 38.3.

Reglementările pentru transport sunt disponibile la www.stihl.com/safety-data-sheets.

13.3 Transportul încărcătorului

- ▶ Scoateți ștecherul de rețea din priză.
- ▶ Extrageți acumulatorul.
- ▶ Înfășurați cablul de racord și fixați-l la încărcător.
- ▶ Dacă încărcătorul este transportat într-un autovehicul:
 - ▶ Încărcătorul se transportă în geanta livrată.
 - ▶ Asigurați geanta, așa încât aceasta să nu poată cădea și să nu se poată deplasa.
 - ▶ Dacă nu este inclusă nicio geantă în setul de livrare: Asigurați încărcătorul, așa încât acesta să nu poată cădea și să nu se poată deplasa.

14 Stocarea

14.1 Păstrarea utilajului de tăiat material lemnos

- ▶ Decuplați utilajul de tăiat material lemnos și scoateți acumulatorul.
- ▶ Glisați apărătoarea de lanț peste șina portlanț, astfel încât să acopere toată șina portlanț.
- ▶ Depozitați utilajul de tăiat material lemnos astfel încât să se respecte următoarele condiții:
 - Utilajul de tăiat material lemnos este depozitat într-un loc care nu se află la îndemâna copiilor.
 - Utilajul de tăiat material lemnos este curat și uscat.
 - Lanțul fierăstrăului este lubrifiat.

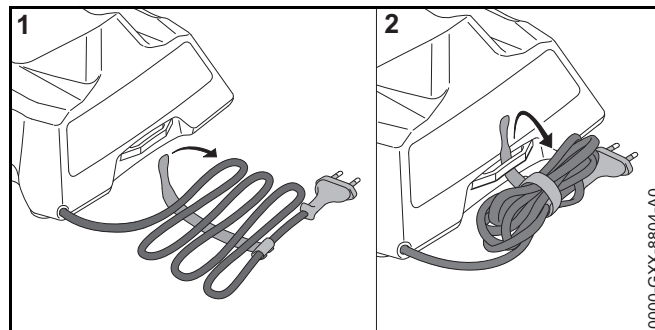
14.2 Depozitarea acumulatorului

STIHL vă recomandă să depozitați acumulatorul încărcat între 40 % și 60 % (2 LED-uri care luminează cu verde).

- ▶ Depozitați acumulatorul așa încât să se respecte următoarele condiții:
 - Acumulatorul este depozitat într-un loc care nu se află la îndemâna copiilor.
 - Acumulatorul este curat și uscat.
 - Acumulatorul este depozitat într-un spațiu închis.
 - Acumulatorul este separat de utilajul de tăiat material lemnos și de încărcător.
 - Acumulatorul este depozitat într-un ambalaj neconducător din punct de vedere electric.
 - Acumulatorul se află în intervalul de temperatură - 20 °C și + 60 °C.

14.3 Depozitarea încărcătorului

- ▶ Scoateți ștecherul de rețea din priză.
- ▶ Extrageți acumulatorul.



- ▶ Înfășurați cablul de racord și fixați-l la încărcător.
- ▶ Depozitați încărcătorul așa încât să se respecte următoarele condiții:
 - Încărcătorul este depozitat într-un loc care nu se află la îndemâna copiilor.
 - Încărcătorul este curat și uscat.
 - Încărcătorul este depozitat într-un spațiu închis.
 - Încărcătorul este deconectat de la baterie.
 - Încărcătorul nu este suspendat de cablul de racord.
 - Încărcătorul este folosit în intervalul de temperatură între - 20 °C și + 60 °C.

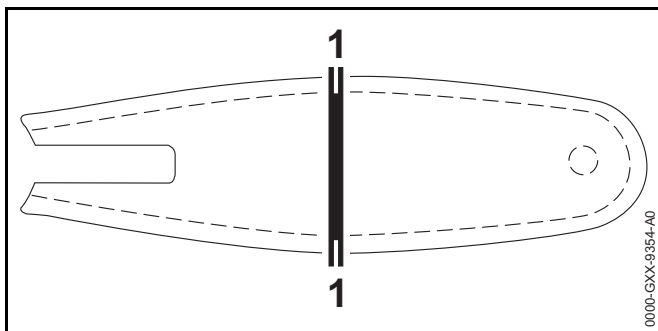
15 Curățare

15.1 Curățarea utilajului de tăiat material lemnos

- ▶ Decuplați utilajul de tăiat material lemnos și scoateți acumulatorul.
- ▶ Curățați utilajul de tăiat material lemnos cu o lavetă umedă sau cu soluție STIHL pentru îndepărtarea rășinilor.
- ▶ Demontați capacul roții de lanț.
- ▶ Curățați zona din jurul roții de lanț cu o lavetă umedă sau cu soluție STIHL pentru îndepărtarea rășinilor.
- ▶ Îndepărtați materiile străine din compartimentul acumulatorului și curățați compartimentul acumulatorului folosind o lavetă curată.
- ▶ Curățați contactele electrice din compartimentul acumulatorului folosind o pensulă sau o perie moale.
- ▶ Montați capacul roții de lanț.

15.2 Curățarea șinei portlanț și a lanțului de ferăstrău

- ▶ Decuplați utilajul de tăiat material lemnos și scoateți acumulatorul.
- ▶ Demontați șina portlanț și lanțul de ferăstrău.



- ▶ Curățați canelura (1) cu o pensulă, o perie moale sau soluție STIHL pentru îndepărtarea rășinilor.
- ▶ Curățați lanțul de ferăstrău cu o pensulă, o perie moale sau soluție STIHL pentru îndepărtarea rășinilor.
- ▶ Montați șina portlanț și lanțul de ferăstrău.

- ▶ Lubrifiați lanțul fierăstrăului.

15.3 Curățarea bateriei

- ▶ Curățați bateria cu o lavetă umedă.

15.4 Curățarea încărcătorului

- ▶ scoateți ștecherul de rețea din priză
- ▶ Curățați încărcătorul cu o lavetă umedă.
- ▶ Curățați contactele electrice ale încărcătorului folosind o pensulă sau o perie moale.

16 Întreținere

16.1 Ascuțirea lanțului de ferăstrău

Este nevoie de multă practică pentru ascuți un lanț de ferăstrău în mod corespunzător.

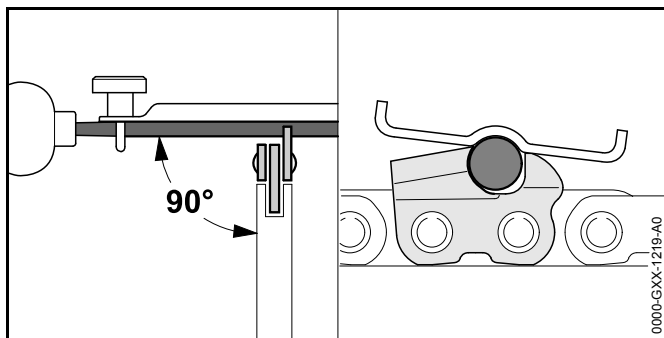
Pilele STIHL, accesoriile de pile STIHL, instrumentele de ascuțit STIHL și broșura "Ascuțirea lanțurilor de ferăstrău STIHL" vă sunt de ajutor la ascuțirea în mod corespunzător a lanțului de ferăstrău. Broșura este disponibilă la www.stihl.com/sharpening-brochure.

STIHL recomandă ca lanțurile de ferăstrău să fie ascuțite de un distribuitor STIHL.

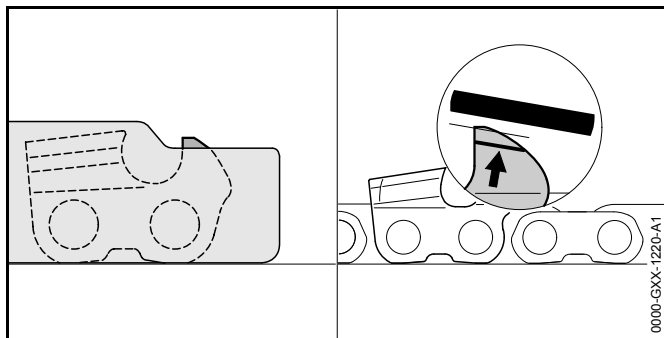
AVERTISMENT

Dinții de tăiere ai lanțului de ferăstrău sunt ascuțiți. Utilizatorul se poate tăia.

- ▶ Purtați mănuși de lucru făcute din material rezistent la uzură.



- ▶ Piliți fiecare dinte de tăiere cu o pilă rotundă așa încât să se respecte următoarele condiții:
 - Pila rotundă se potrivește cu pasul lanțului de ferăstrău.
 - Pila rotundă este mânăuită din interior spre exterior.
 - Pila rotundă este deplasată în unghi drept față de șina portlanț.
 - Se respectă unghiul de ascuțire de 30°.



- ▶ Piliți limitatorul de adâncime cu o pilă plană astfel încât acesta să fie în contact cu calibrul de rectificare STIHL și paralel cu marcajul de uzură. Calibrul de rectificare STIHL trebuie să se potrivească cu pasul lanțului de ferăstrău.
- ▶ Dacă există neclarități: Adresați-vă unui distribuitor STIHL.

17 Reparare

17.1 Repararea utilajului de tăiat material lemnos, a acumulatorului și a încărcătorului


Utilizatorul nu poate repara singur utilajul de tăiat material lemnos, șina de lanț, lanțul de ferăstrău, acumulatorul și încărcătorul.

- ▶ Dacă utilajul de tăiat material lemnos, șina portlanț sau lanțul fierăstrăului sunt deteriorate: Nu folosiți utilajul de tăiat material lemnos, șina de ghidaj sau lanțul fierăstrăului și contactați un serviciu de asistență tehnică STIHL.
- ▶ Dacă acumulatorul este defect sau avariât: Înlocuiți acumulatorul.
- ▶ Dacă încărcătorul este defect sau avariât: Înlocuiți încărcătorul.
- ▶ În cazul în care cablul de racord este defect sau deteriorat: Nu folosiți încărcătorul și solicitați înlocuirea cablului de racord de către un serviciu de asistență tehnică STIHL.

18 Depanare

18.1 Depanarea utilajului de tăiat material lemnos / acumulatorului

Defecțiune	LED-uri pe utilajul de tăiat material lemnos	Cauză	Remediere
La punerea în funcțiune, utilajul de tăiat material lemnos nu pornește.	1 LED pâlpâie cu verde.	Acumulatorul este aproape descărcat.	▶ Încărcați acumulatorul.
	1 LED luminează în roșu.	Acumulatorul este prea fierbinte sau prea rece.	▶ Extrageți acumulatorul. ▶ Lăsați acumulatorul să se răcească sau să se încălzească.
	3 LED-uri pâlpâie cu roșu.	La utilajul de tăiat material lemnos există o defecțiune.	▶ Extrageți acumulatorul. ▶ Curățați contactele electrice din compartimentul acumulatorului. ▶ Introduceți acumulatorul. ▶ Porniți utilajul de tăiat material lemnos. ▶ Dacă se aprind în continuare intermitent 3 LED-uri: Nu folosiți utilajul de tăiat material lemnos și apelați la un distribuitor STIHL.
	3 LED-uri luminează cu roșu.	Utilajul de tăiat material lemnos este prea fierbinte.	▶ Extrageți acumulatorul. ▶ Lăsați utilajul de tăiat material lemnos să se răcească.
	4 LED-uri pâlpâie cu roșu.	Defecțiune la acumulator.	▶ Scoateți acumulatorul și introduceți-l din nou. ▶ Porniți utilajul de tăiat material lemnos. ▶ Dacă se aprind în continuare intermitent 4 LED-uri: Nu folosiți acumulatorul și apelați la un distribuitor STIHL.
		Conexiunea electrică între utilajul de tăiat material lemnos și acumulator este întreruptă.	▶ Extrageți acumulatorul. ▶ Curățați contactele electrice din compartimentul acumulatorului. ▶ Introduceți acumulatorul.
		Utilajul de tăiat material lemnos sau acumulatorul sunt umede.	▶ Lăsați utilajul de tăiat material lemnos sau acumulatorul să se usuce.

Defecțiune	LED-uri pe utilajul de tăiat material lemnos	Cauză	Remediere
		Lanțul fierăstrăului este blocat.	<ul style="list-style-type: none"> ▶ Extrageți acumulatorul. ▶ Curățați utilajul de tăiat material lemnos,  15.1.
În timpul funcționării, utilajul de tăiat material lemnos se oprește.	3 LED-uri luminează cu roșu.	Utilajul de tăiat material lemnos este prea fierbinte.	<ul style="list-style-type: none"> ▶ Extrageți acumulatorul. ▶ Lăsați utilajul de tăiat material lemnos să se răcească.
		Defecțiune electrică.	<ul style="list-style-type: none"> ▶ Scoateți acumulatorul și introduceți-l din nou. ▶ Porniți utilajul de tăiat material lemnos.
Puterea de tăiere a utilajului de tăiat material lemnos scade subit.	1 LED pâlpâie cu verde.	Acumulatorul este aproape descărcat.	▶ Încărcați acumulatorul.
		Lanțul de ferăstrău este ascuțit corect.	▶ Ascuțiți lanțul de ferăstrău corect.
		Lanțul de ferăstrău este tensionat prea tare.	▶ Tensionați corespunzător lanțul de ferăstrău.
		Lubrifierea lanțului este insuficientă.	▶ Lubrifiați lanțul fierăstrăului.
Timpul de funcționare a utilajului de tăiat material lemnos este prea scurt.		Acumulatorul nu este complet încărcat.	▶ Încărcați complet acumulatorul.
		Durata de viață a acumulatorului a expirat.	▶ Înlocuiți acumulatorul.

18.2 Depanarea încărcătorului

Defecțiune	LED la încărcător	Cauză	Remediere
Acumulatorul nu este încărcat.	LED-ul luminează în roșu.	Acumulatorul este prea fierbinte sau prea rece.	▶ Lăsați acumulatorul introdus în încărcător. Încărcarea începe automat după ce s-a atins intervalul de temperatură permis.
	LED-ul pâlpâie cu roșu.	Conexiunea electrică între încărcător și acumulator este întreruptă.	<ul style="list-style-type: none"> ▶ Extrageți acumulatorul. ▶ Curățați contactele electrice de pe încărcător, ▶ Introduceți acumulatorul.

Defecțiune	LED la încărcător	Cauză	Remediere
		Defecțiune a încărcătorului.	▶ Nu folosiți încărcătorul și apălați la un distribuitor STIHL.
		Defecțiune la acumulator.	▶ Nu folosiți acumulatorul și apălați la un distribuitor STIHL.
Încărcătorul nu efectuează un autotest.	LED-ul nu se aprinde timp de aproximativ 1 secundă verde și apoi aproximativ 1 secundă roșu.	Conexiunea electrică la încărcător a fost întreruptă scurt.	▶ Scoateți ștecherul de rețea din priză. ▶ Așteptați 1 minut. ▶ Introduceți ștecărul de rețea în priza de contact.

19 Date tehnice

19.1 Utilajul de tăiat material lemnos STIHL GTA 26

- Acumulator permis: STIHL AS
- Greutate fără acumulator, cu șină portlanț și lanț de ferăstrău: 1,2 kg

Durata de funcționare este disponibilă la www.stihl.com/battery-life.

19.2 Roți de lanț

Pot fi utilizate următoarele roți de lanț:

- 6 dinți pentru 1/4" P

19.3 Adâncimea minimă a canelurii șinei portlanț

Adâncimea minimă a canelurii depinde de pasul șinei portlanț.

- 1/4" P: 4 mm

19.4 Acumulator STIHL AS

- Tehnologie de acumulare: Litiu-Ion
- Tensiune: 10,8 V
- Capacitatea în Ah: vezi plăcuța de identificare
- Conținutul de energie în Wh: vezi plăcuța de identificare
- Greutatea în kg: vezi plăcuța de identificare
- Interval de temperatură permis pentru utilizare și depozitare: - 20 °C până la + 50 °C

Dacă acumulatorul este utilizat la o temperatură mai joasă de 0 °C sau la o temperatură mai mare de + 30 °C, este posibil să se reducă timpul de funcționare al acumulatorului și să se reducă puterea utilajului de tăiat material lemnos.

19.5 Încărcător STIHL AL 1

- Tensiune nominală: vezi plăcuța de identificare
- Frecvență: vezi plăcuța de identificare
- Puterea nominală: vezi plăcuța de identificare
- Curent de încărcare: vezi plăcuța de identificare
- Interval de temperatură permis pentru utilizare și depozitare: - 20 °C până la + 50 °C
- Conținutul maxim de energie al acumulatorului permis STIHL AS: 12,5 Ah

Timpii de încărcare sunt disponibili la www.stihl.com/charging-times.

Dacă încărcătorul este utilizat la o temperatură mai joasă de + 5 °C sau la o temperatură mai mare de + 30 °C, este posibil să crească timpii de încărcare.

19.6 Cabluri prelungitoare

Când se folosește un cablu prelungitor, firele sale trebuie să aibă minim următoarele secțiuni transversale, în funcție de tensiune și de lungimea cablului:

Dacă tensiunea nominală de pe plăcuța de identificare este între 220 V și 240 V:

- Lungimea cablului până la 20 m: AWG 15 / 1,5 mm²
- Lungimea cablului 20 m până la 50 m: AWG 13 / 2,5 mm²

Dacă tensiunea nominală de pe plăcuța de identificare este între 100 V și 127 V:

- Lungimea cablului până la 10 m: AWG 14 / 2,0 mm²
- Lungimea cablului 10 m până la 30 m: AWG 12 / 3,5 mm²

19.7 Nivelurile de zgomot și vibrații

Valoarea K pentru nivelul presiunii acustice este 2 dB(A).
Valoarea K pentru nivelul de putere acustică este 2 dB(A).
Valoarea K pentru valorile de vibrație este 2 m/s².

STIHL recomandă purtarea unei protecții pentru auz.

- Nivel presiune acustică L_{pA} măsurat conform EN 60745-2-13: 77 dB(A)
- Nivel de putere acustică L_{wA} măsurat conform EN 60745-2-13: 86 dB(A)
- Valoarea vibrațiilor a_{hv} măsurată conform EN 60745-2-13:
 - Mâner de comandă: 2,8 m/s²
 - Punctul de prindere: 2,9 m/s.

Valorile nivelurilor indicate ale vibrațiilor au fost măsurate conform unei metode de testare standardizate și pot fi folosite pentru compararea aparatelor electrice. Valorile efective ale vibrațiilor ce survin pot să difere de valorile indicate, în funcție de modul de utilizare. Valorile indicate ale vibrațiilor se pot întrebuița pentru o primă estimare a solicitării din punct de vedere al vibrațiilor. Solicitarea efectivă prin vibrații trebuie estimată. Pot fi astfel luați în considerare timpii în care mașina unealtă electrică este deconectat și aceia în care a funcționat însă fără a fi sub sarcină.

Informații referitoare la conformitatea cu Directiva pentru vibrații 2002/44/CE sunt disponibile la www.stihl.com/vib.

19.8 REACH

REACH este Regulamentul european referitor la înregistrarea, evaluarea și autorizarea substanțelor chimice.

Informații referitoare la conformarea Regulamentului REACH sunt date la www.stihl.com/reach .

20 Combinații ale șinei portlanț și lanțului de ferăstrău

20.1 Utilajul de tăiat material lemnos STIHL GTA 26

Pasul	Grosime za de antrenare/lățime canelură	Lungime	Șină port-lanț	Număr de dinți la roata dințată	Număr de zale de antrenare	Lanțul fierăstrăului
1/4" P	1,1 mm	10 cm	Light	-	28	71 PM3 (Tip 3670)

Lungimea de tăiere a unei șine portlanț depinde de utilajul de tăiat material lemnos utilizat și de lanțul fierăstrăului. Lungimea de tăiere propriu-zisă a unei șine portlanț poate fi mai mică decât lungimea specificată.

21 Piese de schimb și accesorii

21.1 Piese de schimb și accesorii

STIHL Aceste simboluri identifică piesele de schimb originale STIHL și accesorii originale STIHL.

STIHL recomandă folosirea pieselor de schimb originale STIHL și a accesorilor originale STIHL.

Piesele de schimb originale STIHL și accesorii originale STIHL se pot procura de la un distribuitor STIHL.

22 Eliminare

22.1 Eliminarea utilajului de tăiat material lemnos, a acumulatorului și a încărcătorului

Informațiile referitoare la eliminare sunt disponibile de la un distribuitor STIHL.

- ▶ Eliminați utilajul de tăiat material lemnos, șina portlanț, lanțul de ferăstrău, acumulatorul, încărcătorul, accesorii și ambalajul în conformitate cu reglementările relevante și într-un mod care nu afectează mediul.

23 Declarație de conformitate EU

23.1 Utilajul de tăiat material lemnos STIHL GTA 26

ANDREAS STIHL AG & Co. KG
Badstraße 115
D-71336 Waiblingen
Germania

declară cu propria răspundere, că

- Model constructiv: Tăietor lemne cu acumulator
- Marca: STIHL

- Tip: GTA 26
- Număr de identificare serie: GA01

este conformă cu cerințele Directivelor relevante 2011/65/UE, 2006/42/CE, 2014/30/UE și 2000/14/CE și a fost creat și produs în conformitate cu versiunile diverselor standarde aplicabile la respectivele date de producție: EN 55014-1, EN 55014-2, EN 62841-1.

Examinarea CE de tip conform Directivei 2006/42/CE Art. 12.3(b) a fost efectuată la: VDE Institutul de verificare și certificare (NB 0366), Merianstraße 28, 63069 Offenbach, Germania

- Număr de certificare: 40050017

Nivelurile măsurate și garantate ale puterii sunetului au fost stabilit pe baza Directivei 2000/14/CE, Anexa V.

- Nivelul măsurat al puterii sunetului: 88 dB(A)
- Nivelul garantat al puterii sunetului: 90 dB(A)

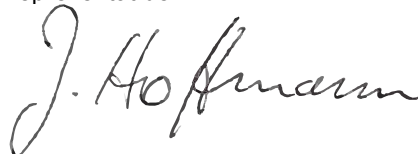
Documentele tehnice sunt păstrate de Departamentul de autorizare produse al ANDREAS STIHL AG & Co. KG.

Anul de producție, țara producătoare și seria mașinii sunt specificate pe utilajul de tăiat material lemnos.

Waiblingen, 03.02.2020

ANDREAS STIHL AG & Co. KG

reprezentat de



Dr. Jürgen Hoffmann, Director date privind produsul, reglementări privind produsul și autorizarea

23.2 Declarație de conformitate încarcător STIHL AL 1

Acest încarcător este executat și comercializat în conformitate cu următoarele directive: 2014/35/UE, 2014/30/UE și 2011/65/UE.

Anul producției, țara producătoare și codul utilajului sunt indicate pe încarcător.

Declarația de conformitate CE completă o puteți găsi la firma ANDREAS STIHL AG & Co. KG, Badstraße 115, 71336 Waiblingen, Germania.

24 Instrucțiuni generale de siguranță pentru electrounelte

24.1 Introducere

Acest capitol descrie instrucțiunile generale de siguranță formulate în standardul european EN/IEC 62841 pentru electrounelte manuale, acționate cu motor.

STIHL trebuie să reproducă aceste texte.

Indicațiile de securitate precizate la "Siguranța electrică" cu privire la evitarea electrocutărilor nu se aplică produselor cu acumulator STIHL.



AVERTISMENT

Citiți toate indicațiile de siguranță, instrucțiunile, imaginile și datele tehnice, cu care este prevăzută această electrounealtă. Nerespectarea următoarelor instrucțiuni poate cauza electrocutare, incendii și/sau grave răniri. **Păstrați toate instrucțiunile de siguranță și indicațiile pentru a fi folosite ulterior.**

Termenul întrebuițat în cadrul instrucțiunilor de siguranță "Electrounealtă" se referă la electrouneltele utilizate în rețea (cu cablu de rețea) și electrouneltele acționate prin acumulator (fără cablu de rețea).

24.2 Siguranța la locul de muncă

- a) **Mentțineți curățenia la locul de muncă, precum și bunele condiții de luminozitate.** Zonele de lucru aflate în dezordine sau fără luminozitate pot duce la accidente.
- b) **Nu întrebuițați unealta electrică în zone cu potențial exploziv, în spații în care se găsesc lichide inflamabile, gaze sau praf.** Uneltele electrice produc scânteii care la rândul lor ar putea aprinde praful sau aburii.
- c) **În timpul utilizării unelei electrice țineți la distanță copiii și alte persoane.** În cazul distragerii atenției ați putea pierde controlul asupra aparatului.

24.3 Siguranța electrică

- a) **Ștecherul unelei electrice trebuie să corespundă prizei electrice. Nu se vor aduce modificări ștecherului. Nu întrebuițați adaptoare la ștecher împreună cu electrouneltele cu împământare.** Ștecherile nemodificate și prizele electrice corespunzătoare reduc riscul unei eventuale electrocutări.
- b) **Evitați contactul unor părți ale corpului cu suprafețele conducătoare, cum ar fi cele ale țevilor, instalațiilor de încălzire, cuptoarelor și frigiderelor.** Apare un risc crescut de electrocutare atunci când corpul dumneavoastră devine conducător electric.
- c) **Protejați electrouneltele de ploaie și umezeală.** Pătrunderea apei într-o unealtă electrică sporește riscul electrocutării.
- d) **Nu utilizați cablul de alimentare în alte scopuri decât cel corect, pentru a transporta, agăța unealta electrică sau pentru a scoate ștecherul din priză. Protejați cablul de căldură, ulei, muchii ascuțite sau piesele mobile ale aparatului.** Cablurile avariate sau încurcate cresc riscul electrocutării.
- e) **Când întrebuițați o unealtă electrică în aer liber, utilizați numai cabluri prelungitoare destinate și pentru exterior.** Utilizarea unui cablu prelungitor destinat spațiilor din exterior reduce riscul electrocutării.

- f) **Atunci când utilizarea unei unelte electrice în mediu umed este inevitabilă, întrebuințați un întrerupător cu protecție la curenți paraziți.** Utilizarea întrerupătorului cu protecție la curenți paraziți reduce riscul electrocutării.

24.4 Siguranța persoanelor

- a) **Fiți vigilent, acordați atenție la ceea ce faceți și acționați prevăzător atunci când lucrați cu scula electrică. Nu folosiți nicio sculă electrică dacă sunteți obosit sau dacă sunteți sub influența drogurilor, a alcoolului sau a medicamentelor.** Un moment de neatenție în timpul întrebuințării uneltei electrice poate duce la grave răni.
- b) **Purtați echipament personal de protecție și întotdeauna ochelari de protecție.** Purtarea echipamentului personal de protecție, precum mască antipraf, cizme de protecție stabile la alunecare, cască de protecție sau cască antifonică, în funcție de tipul și modul de utilizare a uneltei electrice, micșorează riscul apariției rănilor.
- c) **Evitați pornirea accidentală. Asigurați-vă că electrounelta este oprită înainte de a o conecta la sursa de curent electric și/sau acumulator, de a o prinde sau de a o transporta.** Dacă la transportarea uneltei electrice țineți degetul pe comutator sau dacă aparatul este pornit în momentul conectării la sursa de curent electric, pot apărea accidente.
- d) **Înainte de a porni electrounelta îndepărtați uneltele de reglaj sau șurubelnițele.** Prezența unei unelte sau chei la o componentă mobilă a aparatului, poate conduce la răni.
- e) **Adoptați întotdeauna o poziție corectă a corpului. Asigurați o poziție sigură și păstrați-vă permanent echilibrul corporal.** Astfel veți putea avea un mai bun control asupra uneltei electrice în situații imprevizibile.
- f) **Purtați îmbrăcăminte corespunzătoare. Nu purtați îmbrăcăminte lejeră sau bijuterii. Asigurați distanța corespunzătoare față de piesele mobile ale părului, îmbrăcăminte și mânușilor.** Îmbrăcăminte largă, bijuteriile sau părul lung s-ar putea prinde de componentele mobile.

- g) **În cazul în care sunt montate echipamente de scoatere și de colectare a prafului, acestea trebuie conectate și folosite în mod corespunzător.** Utilizarea unui aspirator poate reduce pericolele provocate de praf.
- h) **Nu vă lăsați ghidați de un fals sentiment de securitate și nu ignorați regulile de siguranță referitoare la uneltele electrice, chiar dacă sunteți familiarizați cu uneltele electrice, în urma unei utilizări frecvente.** Acționarea cu neglijență poate duce la răni grave în decurs de câteva secunde.

24.5 Manipularea și utilizarea uneltei electrice

- a) **Nu suprasolicitați utilajul. Folosiți scula electrică potrivită pentru activitatea dumneavoastră.** Cu ajutorul sculei electrice potrivite lucrați mai bine și mai sigur în domeniul de performanță indicat.
- b) **Nu folosiți electrounelte care au comutatorul defect.** O unelă electrică care nu mai poate fi pornită sau oprită, prezintă pericol și trebuie reparată.
- c) **Scoateți ștecherul din priză și/sau îndepărtați acumulatorul înainte de a efectua reglaje la aparat, de a schimba piesele accesorii sau de a scoate din funcțiune aparatul.** Aceste măsuri de precauție împiedică pornirea accidentală a uneltei electrice.
- d) **Nu păstrați electrouneltele neutilizate la îndemâna copiilor. Nu permiteți exploatarea utilajului de către persoane care nu dețin experiență în utilizare sau care nu au citit aceste instrucțiuni.** Uneltele electrice prezintă pericol dacă sunt întrebuințate de persoane neexperimentate.
- e) **Uneltele electrice necesită îngrijire. Controlați dacă piesele mobile funcționează ireproșabil și nu se prind, dacă piesele nu sunt sparte sau avariate astfel încât să influențeze funcționarea electrouneltei. Piesele avariate se vor repara înainte de utilizarea aparatului.** Multe accidente provin de la uneltele electrice întreținute necorespunzător.
- f) **Mențineți uneltele tăietoare ascuțite și curate.** Uneltele tăietoare cu muchii tăietoare ascuțite întreținute cu atenție se prind mai puțin și sunt mai ușor de ghidat.

- g) **Utilizați electroneltele, unealta de intervenție, uneltele de intervenție etc. corespunzător instrucțiunilor acestora. Luați în considerare condițiile de lucru și activitatea care trebuie efectuată.** Întrebuințarea uneltelelor electrice în alte scopuri decât cele special prevăzute poate duce la situații periculoase.
- h) **Păstrați mânerele și suprafețele de prindere uscate, curate și lipsite de ulei și grăsimi.** Mânerele și suprafețele de prindere alunecoase nu permit o operare și un control al uneltelei electrice în condiții de siguranță în caz de situații neprevăzute.

24.6 Manipularea și utilizarea uneltelei cu acumulator

- a) **Încărcați acumulatorul numai cu încărcătoarele recomandate de fabricant.** La un încărcător adecvat unui anumit tip de acumulator, există pericolul de incendiu dacă acesta este utilizat cu alte acumulatori.
- b) **Întrebuințați numai acumulatori prevăzute special pentru uneltele electrice.** Utilizarea altor acumulatori poate conduce la răniri și pericol de incendiu.
- c) **Nu țineți acumulatorul în apropierea agrafelor de birou, monedelor, cheilor, acelor, șuruburilor sau altor obiecte metalice care ar putea duce la formarea de punți cu contactele.** Un scurtcircuit cu contactele acumulatorului poate duce la arderi sau incendii.
- d) **În cazul utilizării necorespunzătoare lichidul din acumulator s-ar putea revărsa. Evitați contactul cu acesta. În cazul unui contact accidental, clătiți bine cu apă. Dacă lichidul ajunge la ochi, apelați la ajutorul unui medic.** Lichidul revărsat al acumulatorului poate duce la iritații sau arsuri ale pielii.
- e) **Nu utilizați un acumulator deteriorat sau modificat.** Acumulatorii deteriorați sau modificați se pot comporta imprevizibil și pot cauza un incendiu, explozie sau rănire.
- f) **Nu expuneți acumulatorul la foc sau la temperaturi ridicate.** Focul sau temperaturile de peste 130 °C (265 °F) pot cauza explozii.

- g) **Urmați toate instrucțiunile referitoare la încărcare și nu încărcați niciodată acumulatorul sau uneltele cu acumulator în afara intervalului de temperatură specificat în manualul de instrucțiuni.** Încărcarea incorectă sau încărcarea în afara intervalului de temperatură admis poate distruge acumulatorul și crește riscul de incendiu.

24.7 Service

- a) **Pentru repararea uneltelei electrice adresați-vă numai personalului calificat de specialitate și numai cu piese originale de schimb.** Astfel se garantează păstrarea siguranței uneltelei electrice.
- b) **Nu faceți niciodată service la acumulatorii deteriorați.** Toate lucrările de întreținere a acumulatorului trebuie efectuate doar de către producător sau de unitățile de service autorizate.

0458-694-9821-A

INT2



www.stihl.com



0458-694-9821-A